



US00D885622S

(12) **United States Design Patent** (10) **Patent No.:** **US D885,622 S**  
**Wu** (45) **Date of Patent:** **\*\* May 26, 2020**

(54) **VEHICLE LIGHT**  
(71) Applicant: **COPLUS INC.**, Tainan (TW)  
(72) Inventor: **Po-Hua Wu**, Tainan (TW)  
(73) Assignee: **Coplus Inc.**, Tainan (TW)  
(\*\*) Term: **15 Years**  
(21) Appl. No.: **29/650,434**  
(22) Filed: **Jun. 6, 2018**

D638,963 S \* 5/2011 Huang ..... D26/28  
D667,581 S \* 9/2012 Lee ..... D26/28  
D760,931 S \* 7/2016 Davies ..... D26/28  
D789,571 S \* 6/2017 Sauzay ..... D26/28  
D818,184 S \* 5/2018 Wu ..... D26/124  
D819,876 S \* 6/2018 Wu ..... D26/124  
D867,630 S \* 11/2019 Benoit ..... D26/28

\* cited by examiner

*Primary Examiner* — Philip S Hyder  
*Assistant Examiner* — Cary M Robinson  
(74) *Attorney, Agent, or Firm* — Lewis Roca Rothgerber  
Christie LLP

(30) **Foreign Application Priority Data**

Jan. 12, 2018 (TW) ..... 107300228

(51) **LOC (12) Cl.** ..... **26-02**

(52) **U.S. Cl.**  
USPC ..... **D26/37**

(58) **Field of Classification Search**  
USPC .... D12/86, 90–92, 114, 163, 169, 171–173,  
D12/181, 190, 196, 197, 199, 400;  
D26/28–36  
CPC ... B62J 6/02; B62J 6/00; B60Q 3/0279; F21S  
48/00; F21S 48/10; F21S 48/115; F21S  
48/225; F21S 48/1233; F21S 48/1266;  
F21S 48/1388; F21S 48/2268; F21V  
21/04

See application file for complete search history.

(56) **References Cited**

**U.S. PATENT DOCUMENTS**

D490,172 S \* 5/2004 Yamamoto ..... D26/28  
D540,966 S \* 4/2007 Ueda ..... D26/28

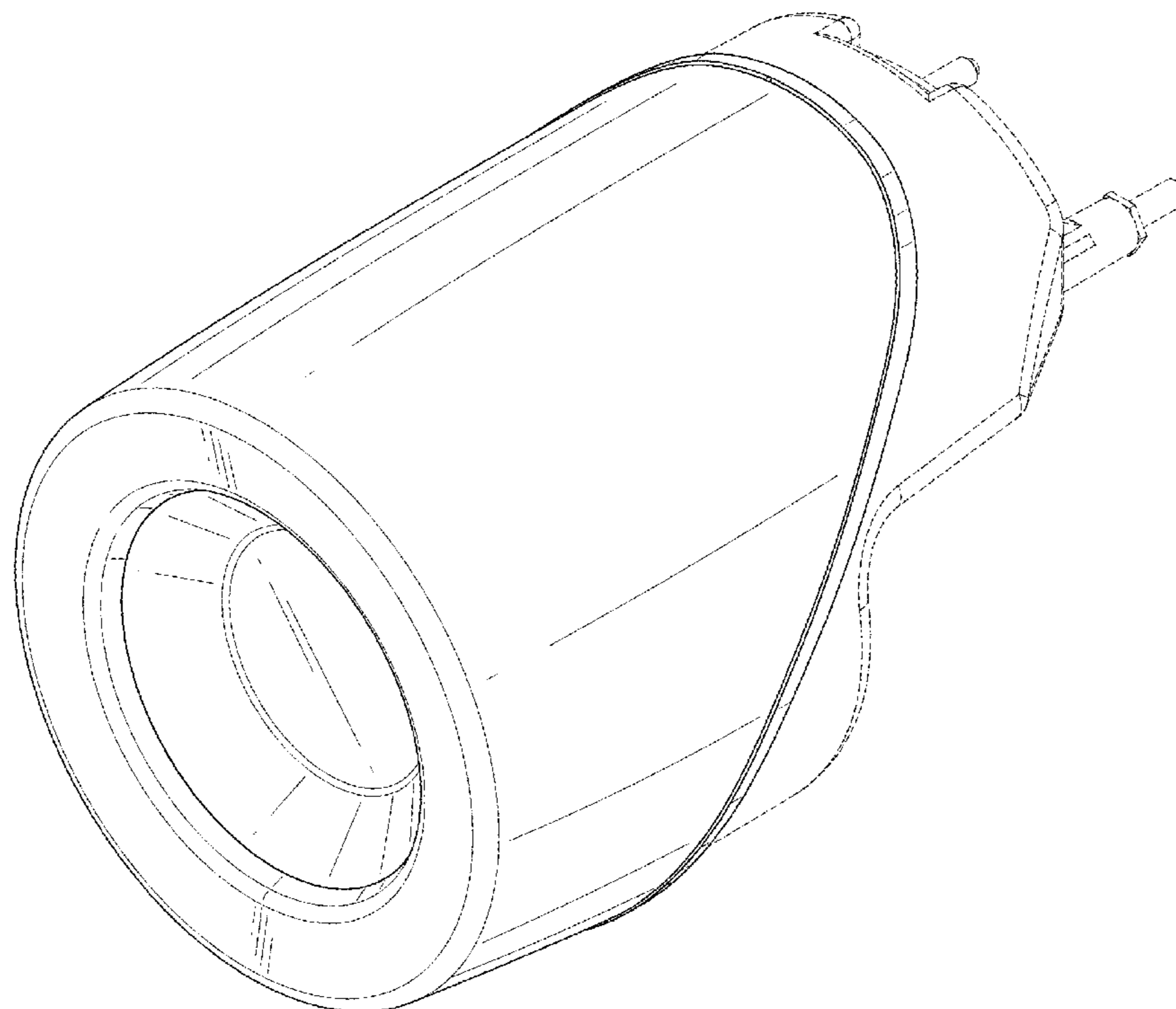
(57) **CLAIM**

The ornamental design for a vehicle light, as shown and described.

**DESCRIPTION**

FIG. 1 is a perspective view of a vehicle light;  
FIG. 2 is a front view thereof;  
FIG. 3 is a rear view thereof;  
FIG. 4 is a left side view thereof;  
FIG. 5 is a right side view thereof;  
FIG. 6 is a top view thereof; and,  
FIG. 7 is a bottom view.  
The broken lines in the drawings illustrate portions of the vehicle light in which the design is embodied that form no part of the claimed design.

**1 Claim, 6 Drawing Sheets**



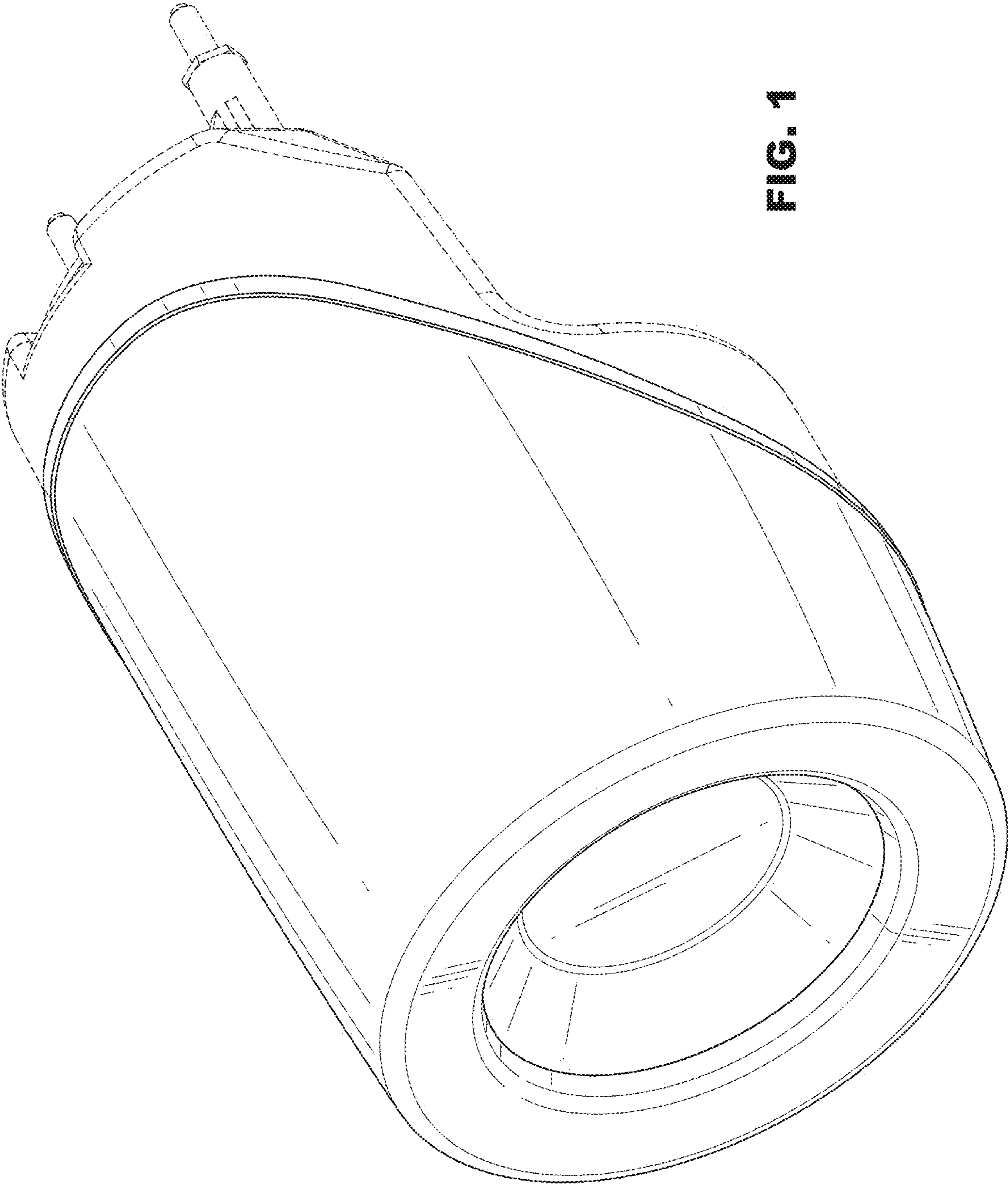
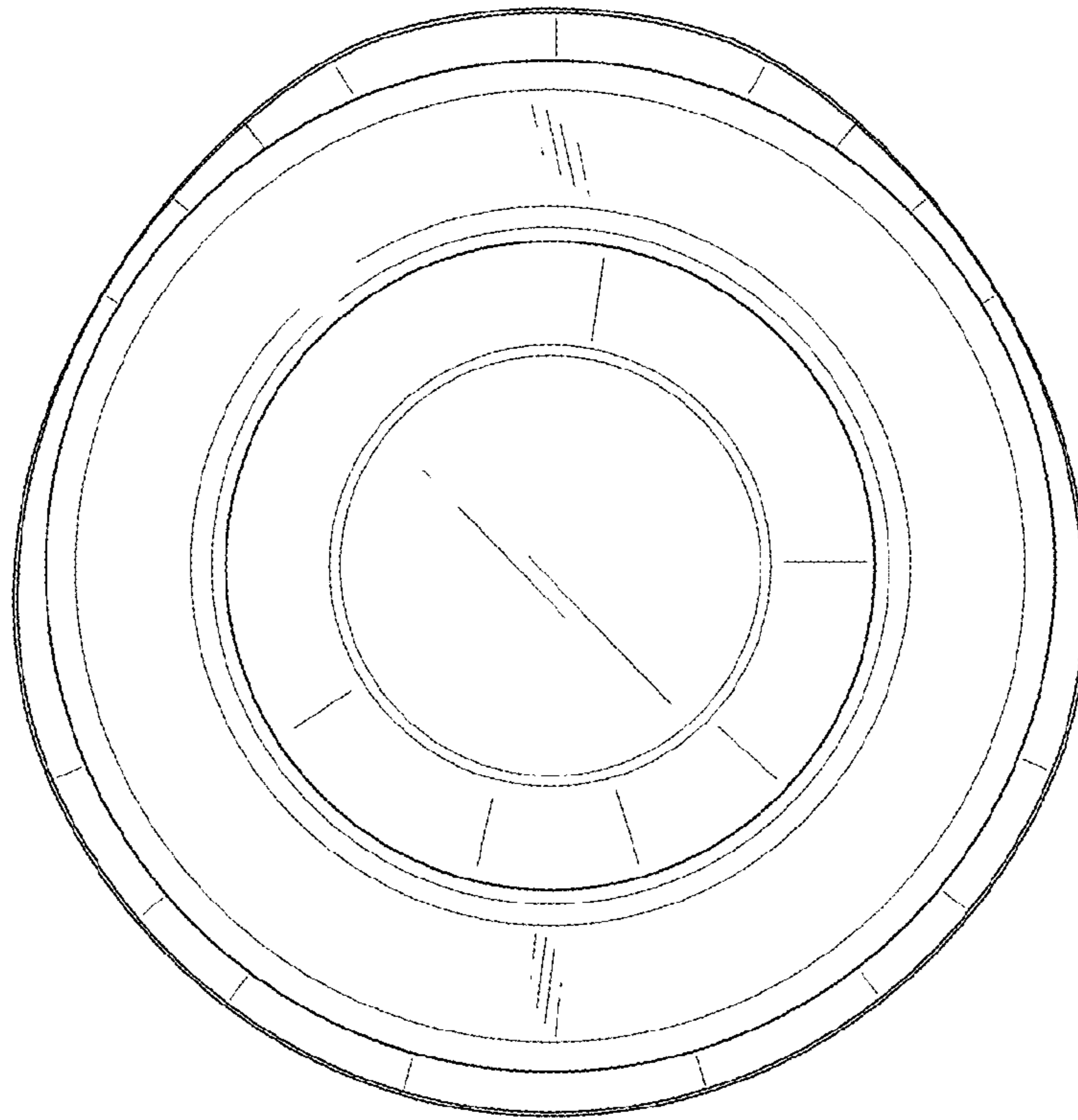
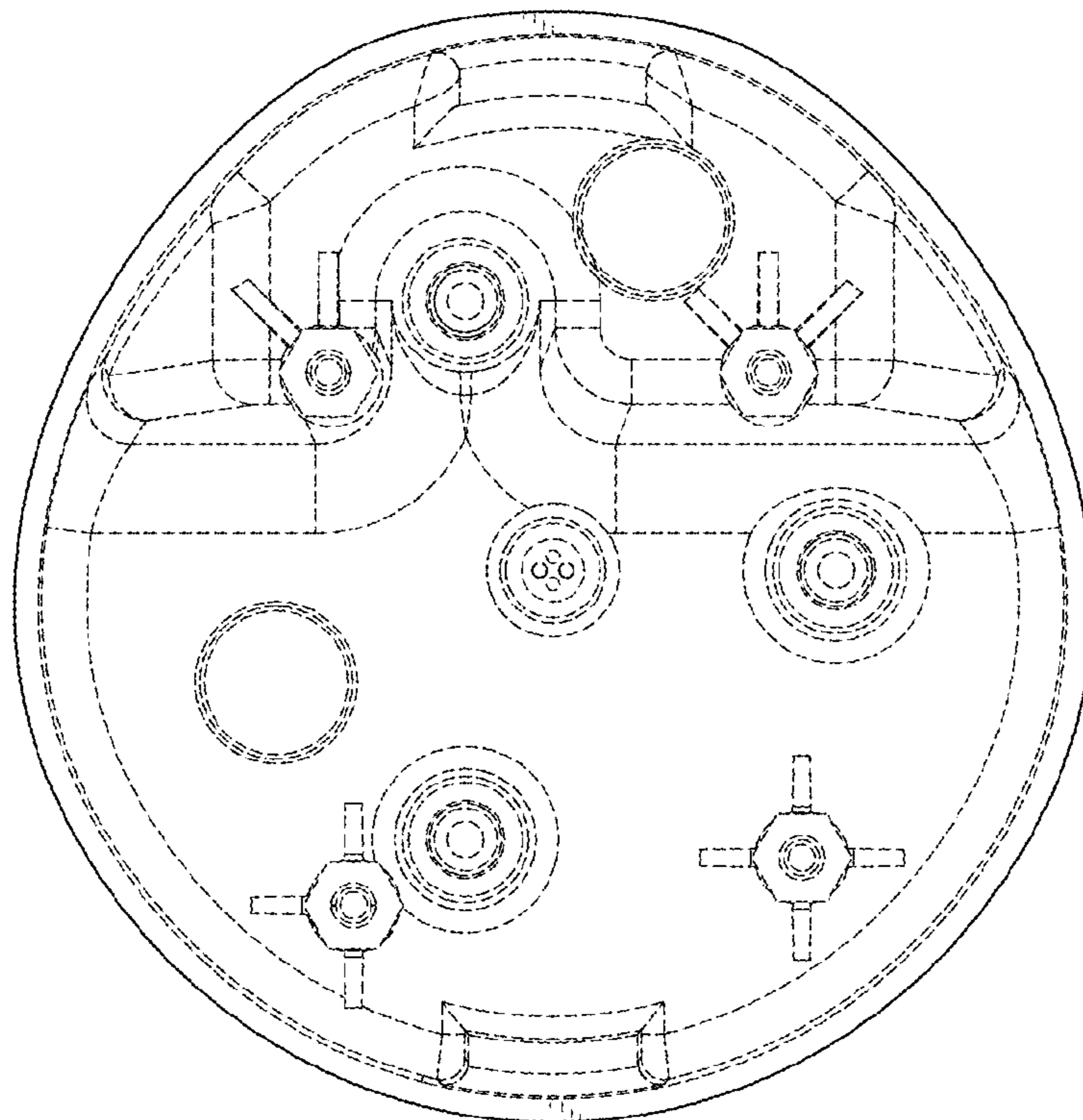


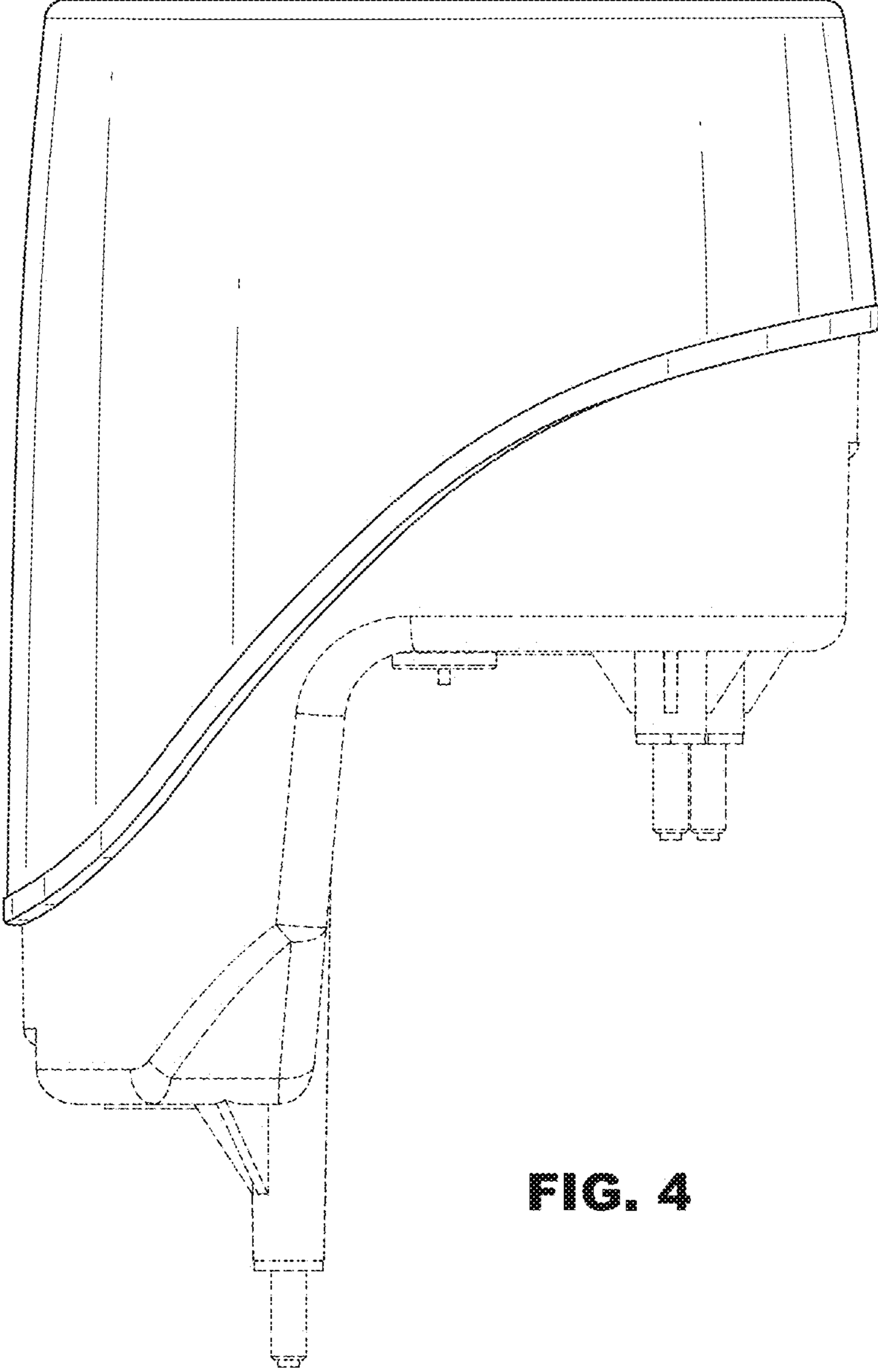
FIG. 1



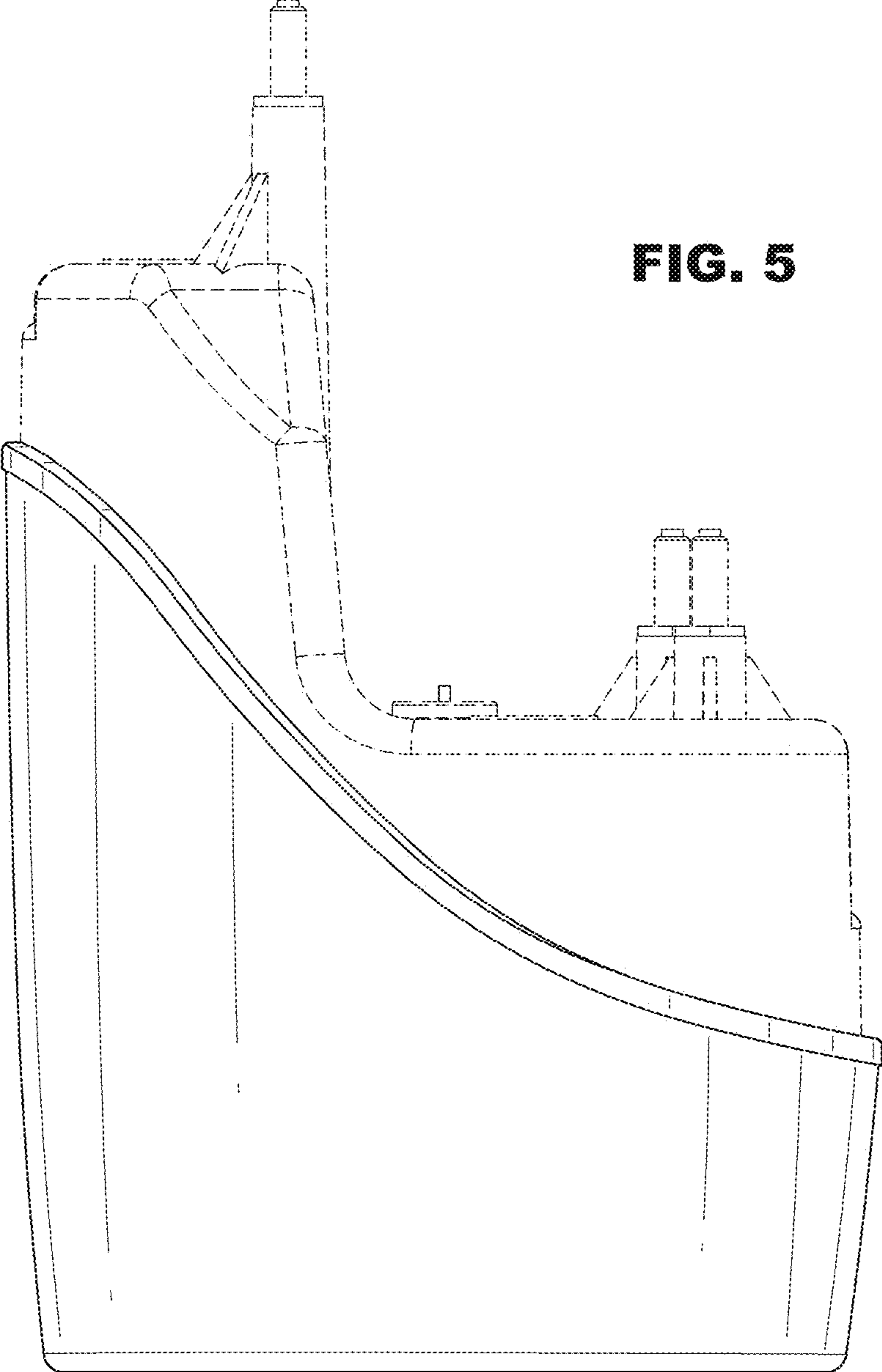
**FIG. 2**

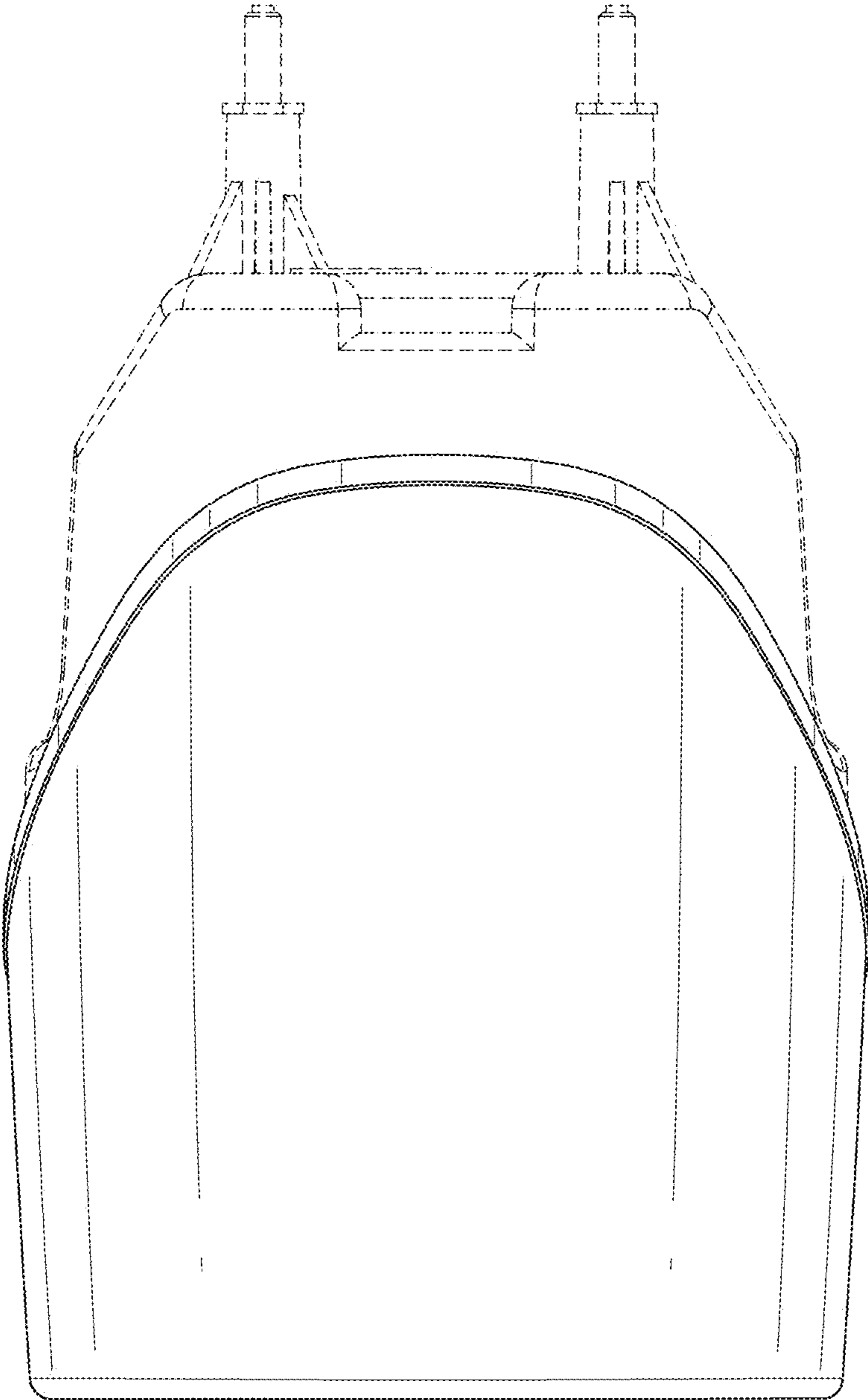


**FIG. 3**

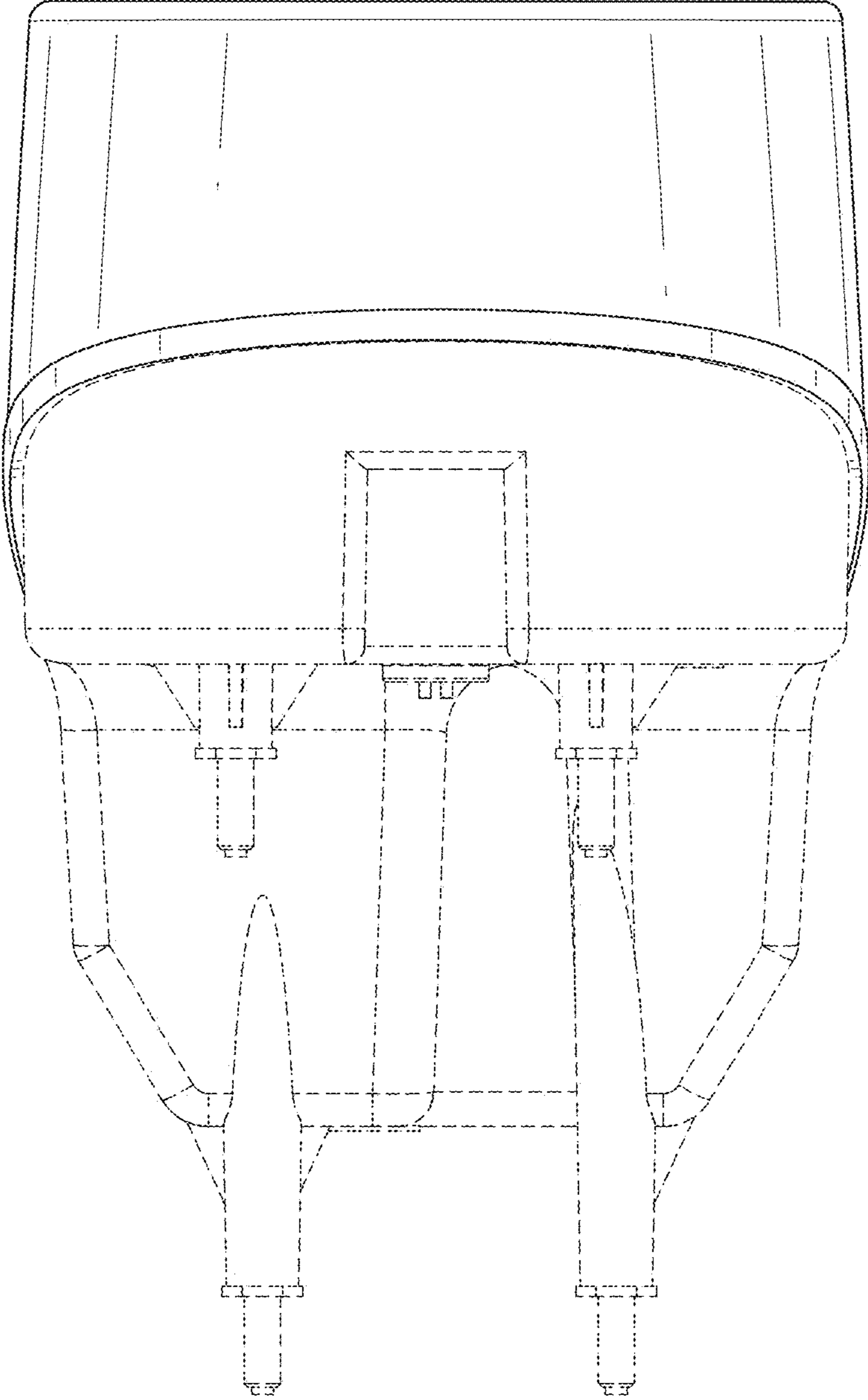


**FIG. 4**





**FIG. 6**



**FIG. 7**