



US00D885621S

(12) **United States Design Patent** (10) **Patent No.:** **US D885,621 S**
Zaderej et al. (45) **Date of Patent:** **** May 26, 2020**

(54) **PORTABLE LIGHT**

OTHER PUBLICATIONS

(71) Applicants: **Molex, LLC**, Lisle, IL (US); **Watts of Love**, Downers Grove, IL (US)

Solar Powered Lanyard Light . Publish date 2017, [online], [site visited Jun. 21, 2019]. Available from Internet, <URL:https://www.wattsoflove.org/guatemala-2017#guatemala-2017-page-1>, 11 pages (Year: 2017).*

(72) Inventors: **Victor Zaderej**, Wheaton, IL (US);
James V. Agro, Geneva, IL (US);
Michael C. Picini, Aurora, IL (US);
Jeffrey Scott Anderson, Chicago, IL (US)

Primary Examiner — Lakiya G Rogers

Assistant Examiner — Carissa C Fitts

(74) *Attorney, Agent, or Firm* — Banner & Witcoff, Ltd.

(73) Assignees: **Molex, LLC**, Lisle, IL (US); **Watts of Love**, Downers Grove, IL (US)

(57) **CLAIM**

The ornamental design for a portable light, as shown and described.

(**) Term: **15 Years**

DESCRIPTION

(21) Appl. No.: **29/621,438**

(22) Filed: **Oct. 8, 2017**

(51) **LOC (12) Cl.** **26-02**

(52) **U.S. Cl.**

USPC **D26/37**

(58) **Field of Classification Search**

USPC D26/37-51

CPC F21L 2003/00; F21L 4/00; F21L 4/005;

F21L 4/02; F21L 4/025; F21L 4/027;

F21L 4/04; F21L 4/08; F21L 2005/00;

F21L 7/00; F21L 11/00; F21L 13/00;

F21L 13/04; F21L 13/08; F21L 14/02;

F21L 17/00; F21L 19/00; F21L 25/00

See application file for complete search history.

FIG. 1 is a front perspective view of a portable light showing our new design;

FIG. 2 is a front view thereof;

FIG. 3 is a rear view thereof;

FIG. 4 is a top view thereof;

FIG. 5 is a bottom view thereof;

FIG. 6 is a left side view thereof;

FIG. 7 is a right side view thereof;

FIG. 8 is a front perspective view of an alternative embodiment of the portable light shown in FIGS. 1-7;

FIG. 9 is a front view thereof;

FIG. 10 is a rear view thereof;

FIG. 11 is a top view thereof;

FIG. 12 is a bottom view thereof;

FIG. 13 is a left side view thereof; and,

FIG. 14 is a right side view thereof.

The broken lines immediately adjacent to the shaded area define the boundary of the claimed design and form no part thereof. The broken line showing of the remainder of a portable light represents unclaimed environmental subject matter and forms no part of the claimed design. The unshaded areas within the rectangular elements arranged in a circular pattern on front of the design in FIGS. 1-7 form no part of the claimed design.

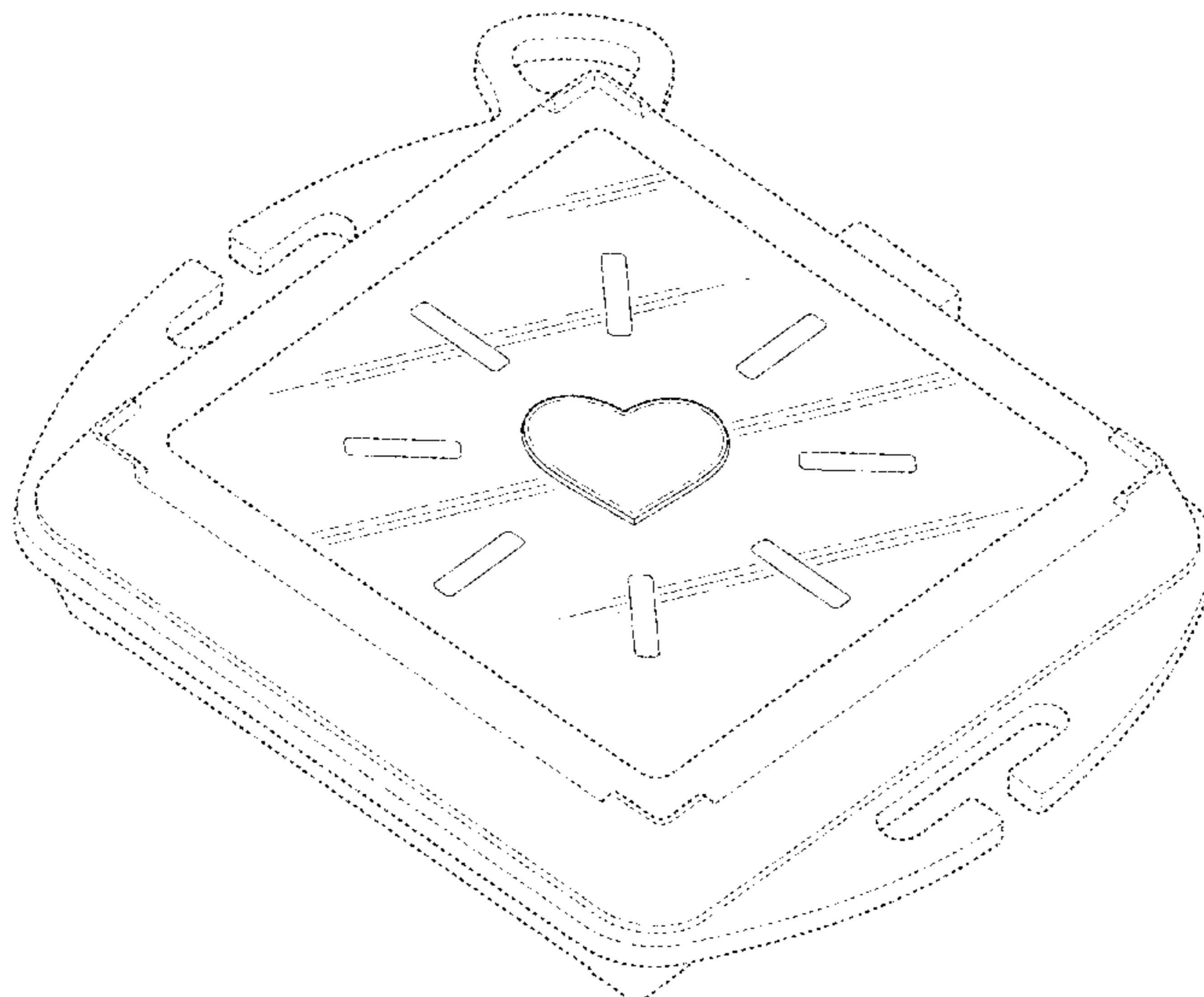
(56) **References Cited**

U.S. PATENT DOCUMENTS

D275,523 S *	9/1984	Ader	D26/39
D361,396 S *	8/1995	Bruckler	D26/39
D362,736 S *	9/1995	Leather	D10/114.1
D371,617 S *	7/1996	Anwyl-Davies	D26/39
5,720,543 A *	2/1998	Sheps	F21L 15/02 362/196

(Continued)

1 Claim, 14 Drawing Sheets



(56)

References Cited

U.S. PATENT DOCUMENTS

D492,052	S	*	6/2004	Schnell	D26/39
D549,859	S	*	8/2007	Kovacik	D26/37
D578,686	S	*	10/2008	Dalton	D26/37
D604,445	S	*	11/2009	Ko	D26/60
D635,702	S	*	4/2011	Hesse	D26/39
D638,964	S	*	5/2011	Cappuccio	D26/39
D702,863	S	*	4/2014	Kotsis	D26/37
D707,867	S	*	6/2014	Kotsis	D26/39
D713,076	S	*	9/2014	von Waldthausen	D26/37
D728,402	S	*	5/2015	Case	D10/114.1
D735,387	S	*	7/2015	Bao	D26/63
D736,442	S	*	8/2015	Kovacik	D26/37
D740,474	S	*	10/2015	Pineau	D26/37
D742,058	S	*	10/2015	Chen	D26/109
D750,307	S	*	2/2016	Borring	D26/63
D775,390	S	*	12/2016	Zimmer	D26/37
D781,284	S	*	3/2017	Suzuki	D14/341
D794,865	S	*	8/2017	Davidson	D26/118
D804,695	S	*	12/2017	Windom	D26/39
D805,667	S	*	12/2017	Green	D26/39
D809,299	S	*	2/2018	Xinos	D3/297
D812,793	S	*	3/2018	Huang	D26/39
D827,292	S	*	9/2018	Lee	D3/211
D828,597	S	*	9/2018	Petzl	D26/39
D835,315	S	*	12/2018	Zhu	D26/44
D838,397	S	*	1/2019	Calisi	D26/51
D840,070	S	*	2/2019	Cramer	D26/37
D841,848	S	*	2/2019	Poffler	D26/37
D842,518	S	*	3/2019	Griffin	D26/51
D845,526	S	*	4/2019	Windom	D26/39
D857,958	S	*	8/2019	Willows	D26/38

* cited by examiner

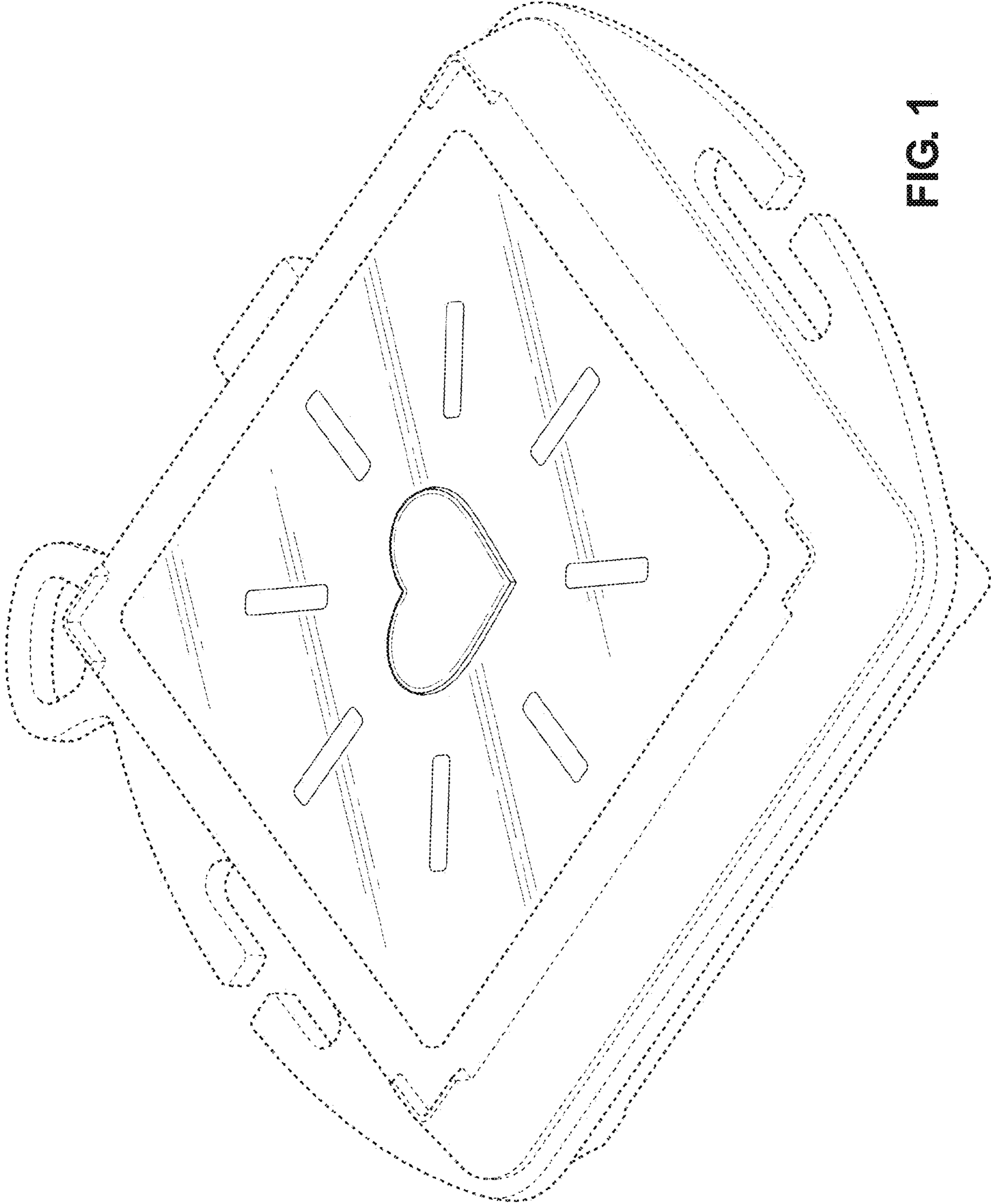


FIG. 1

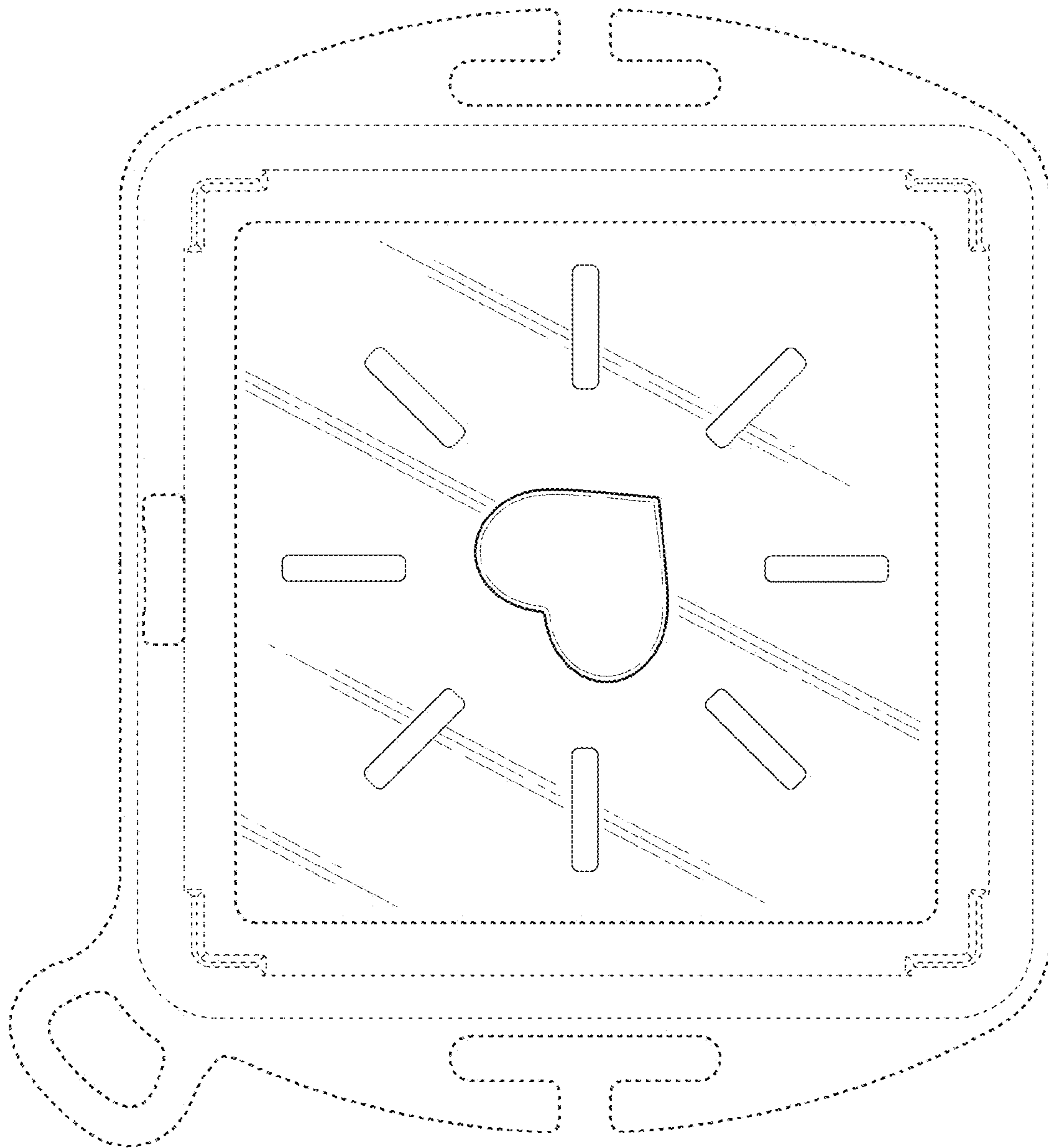


FIG. 2

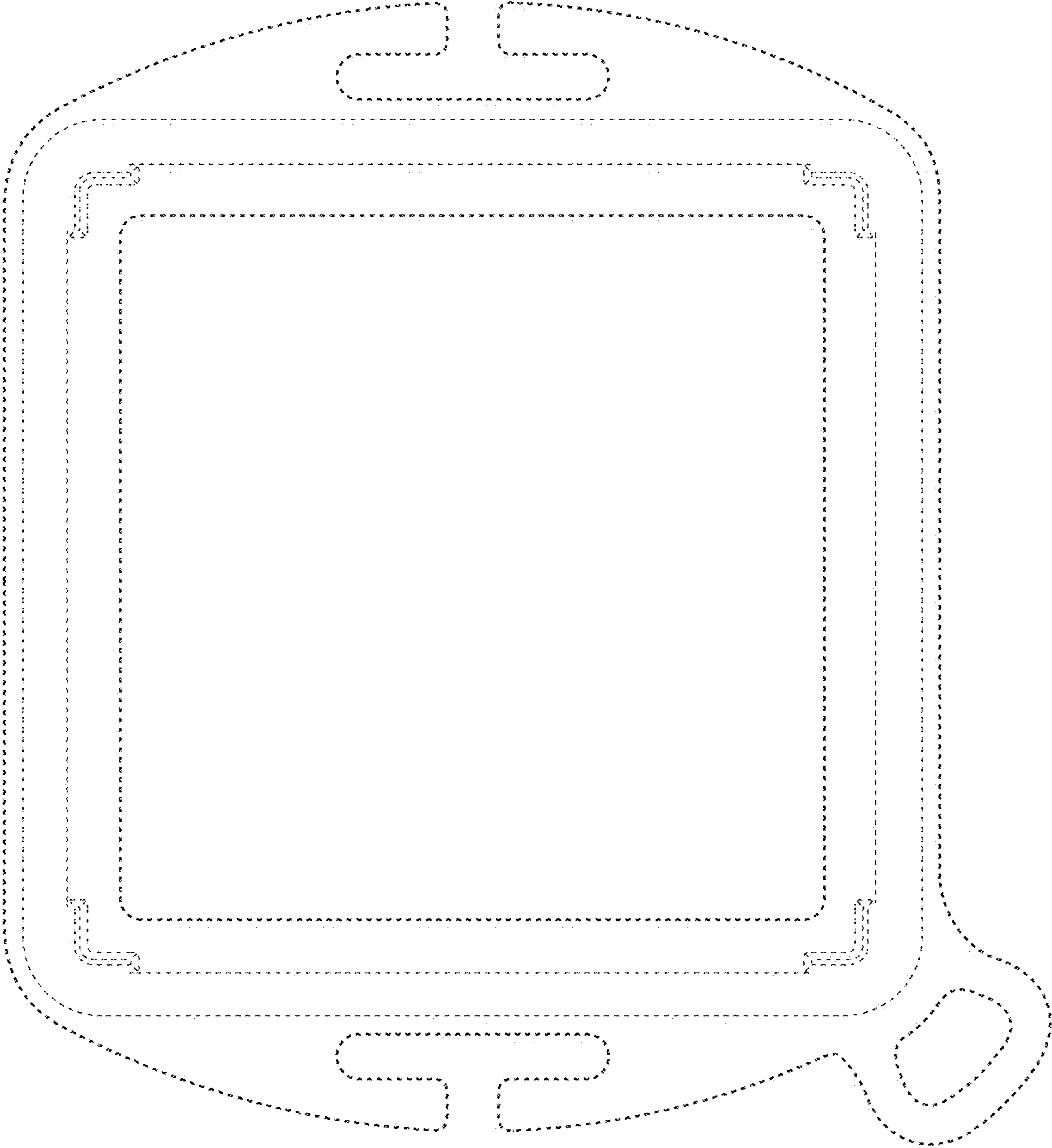


FIG. 3

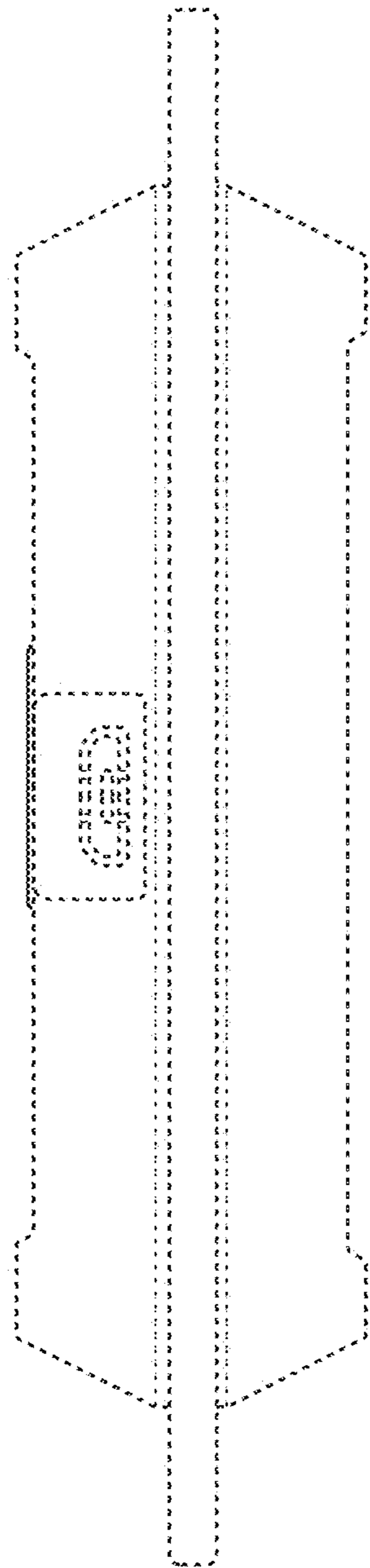


FIG. 4

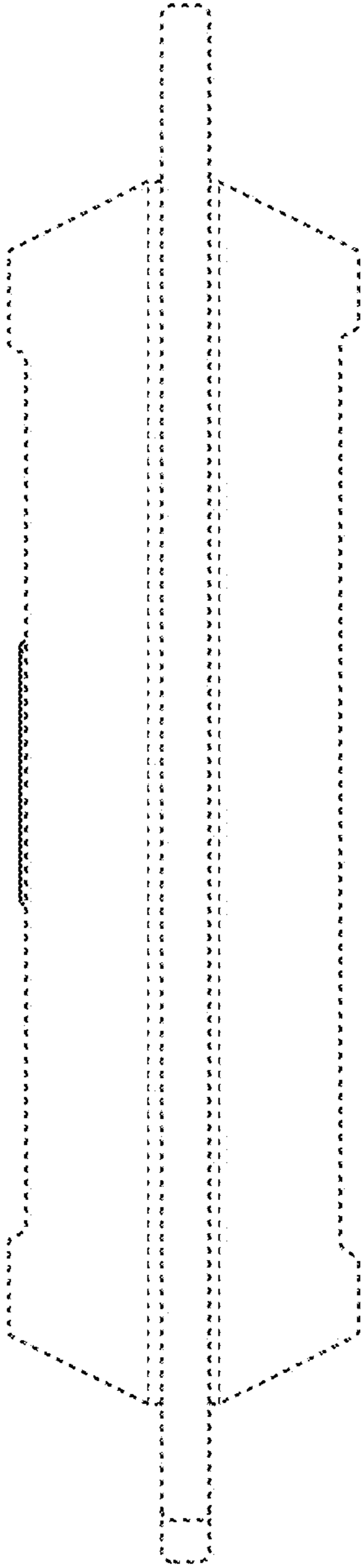


FIG. 5

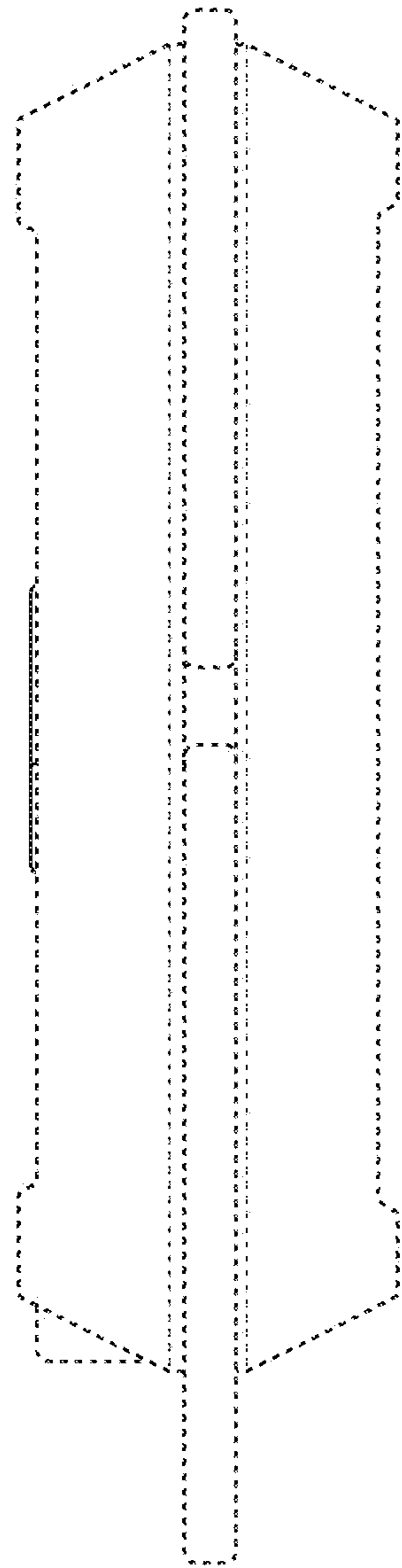


FIG. 6

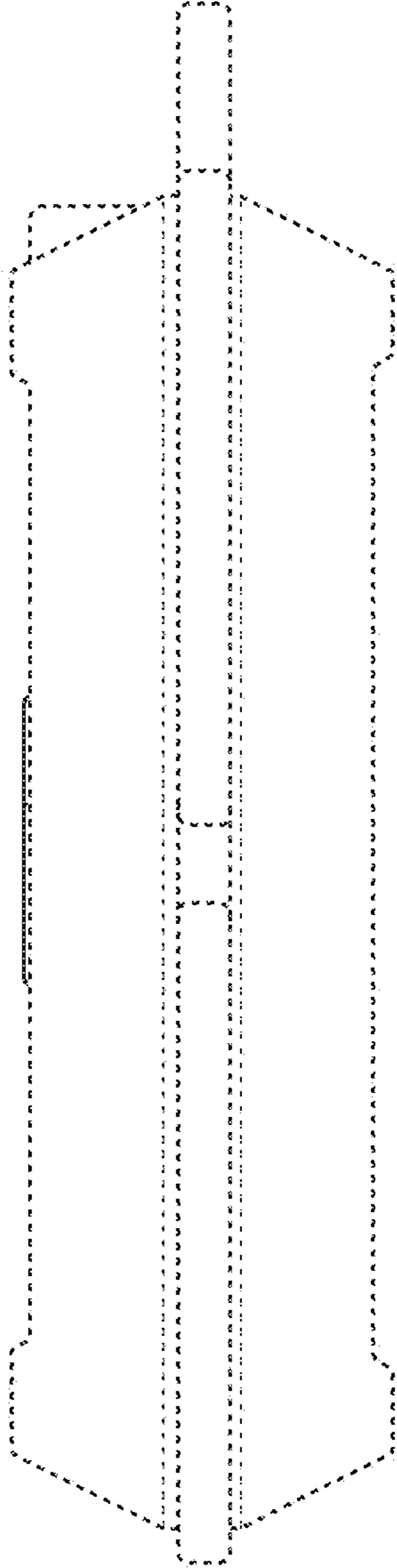


FIG. 7

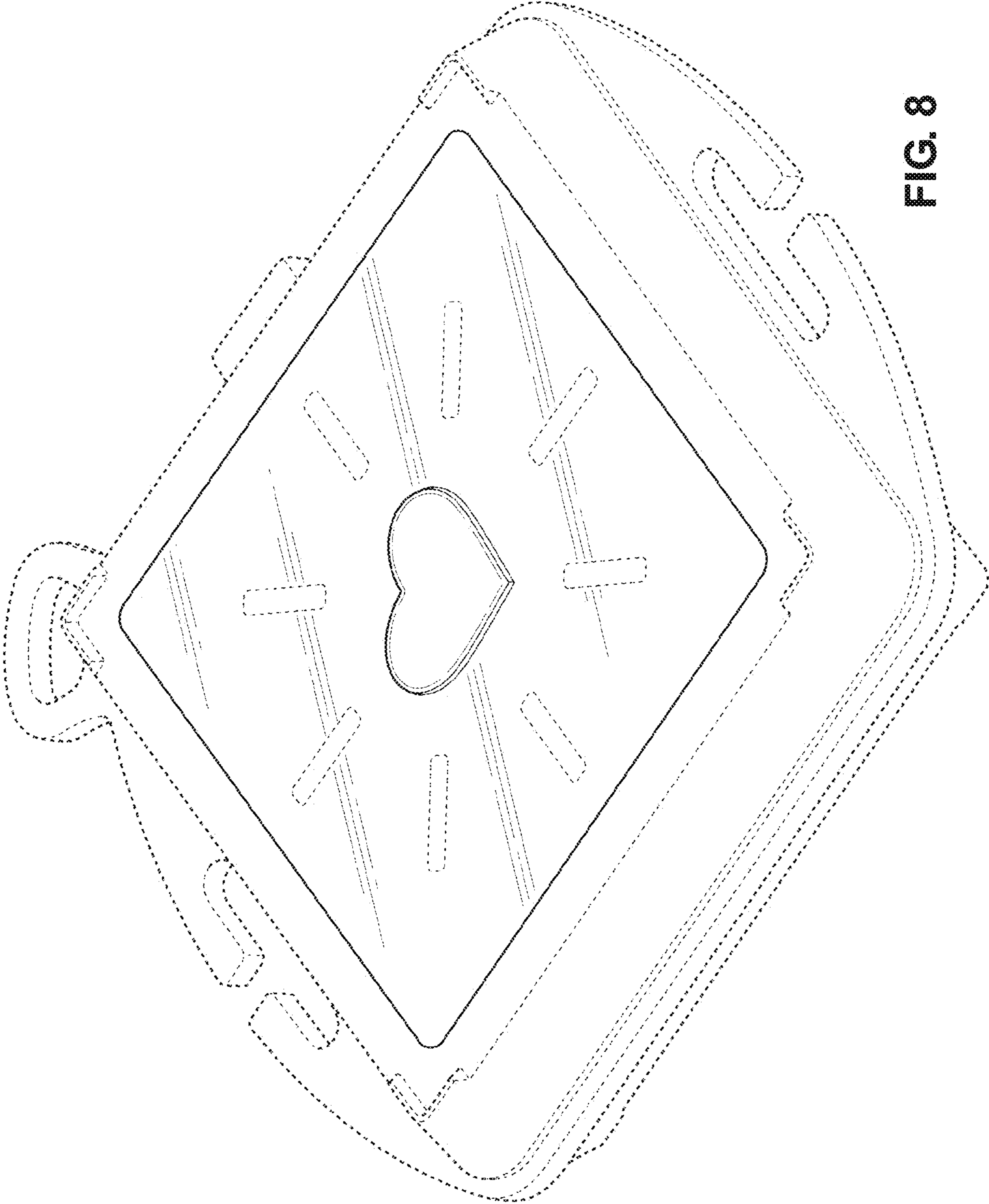


FIG. 8

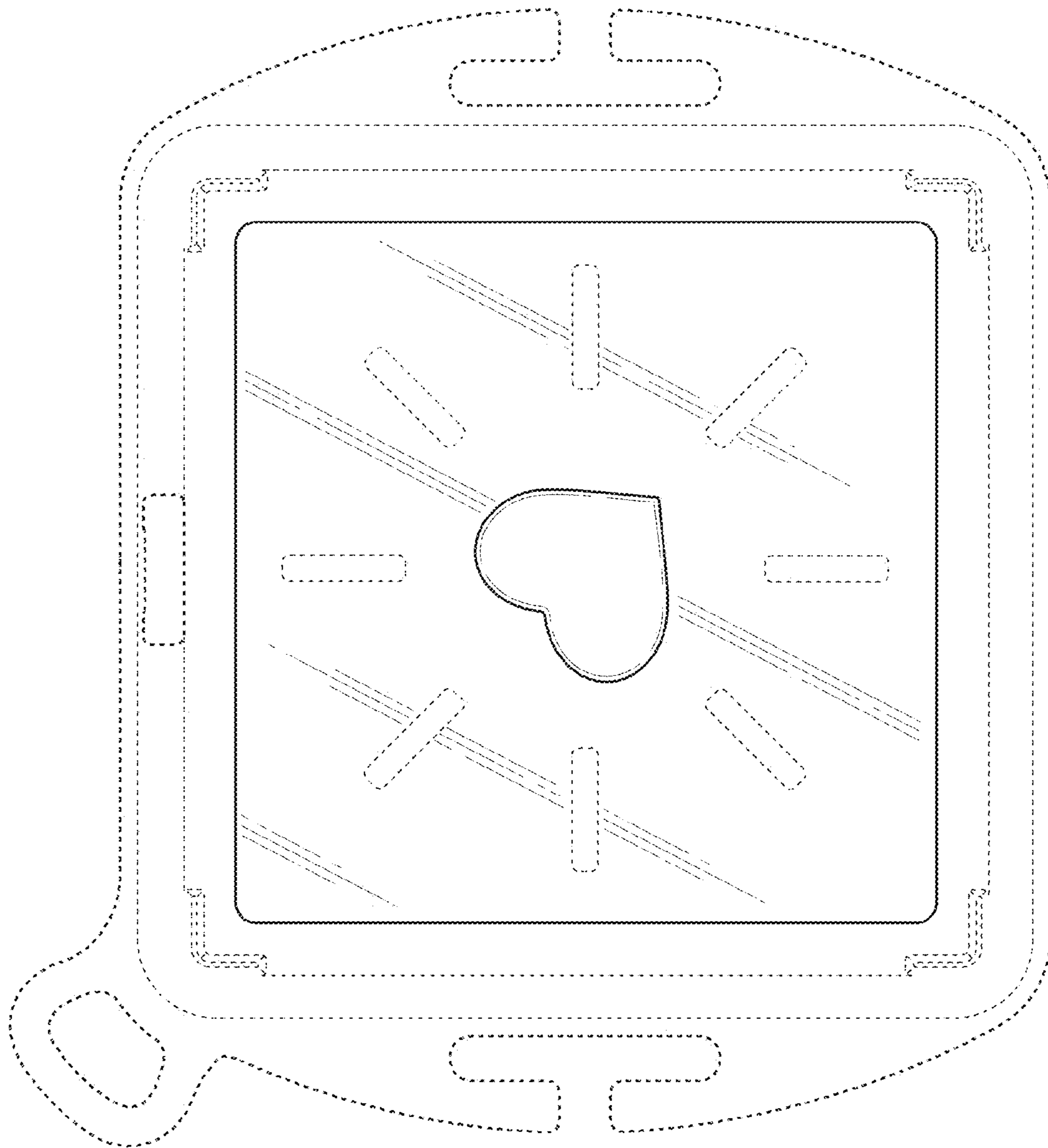


FIG. 9

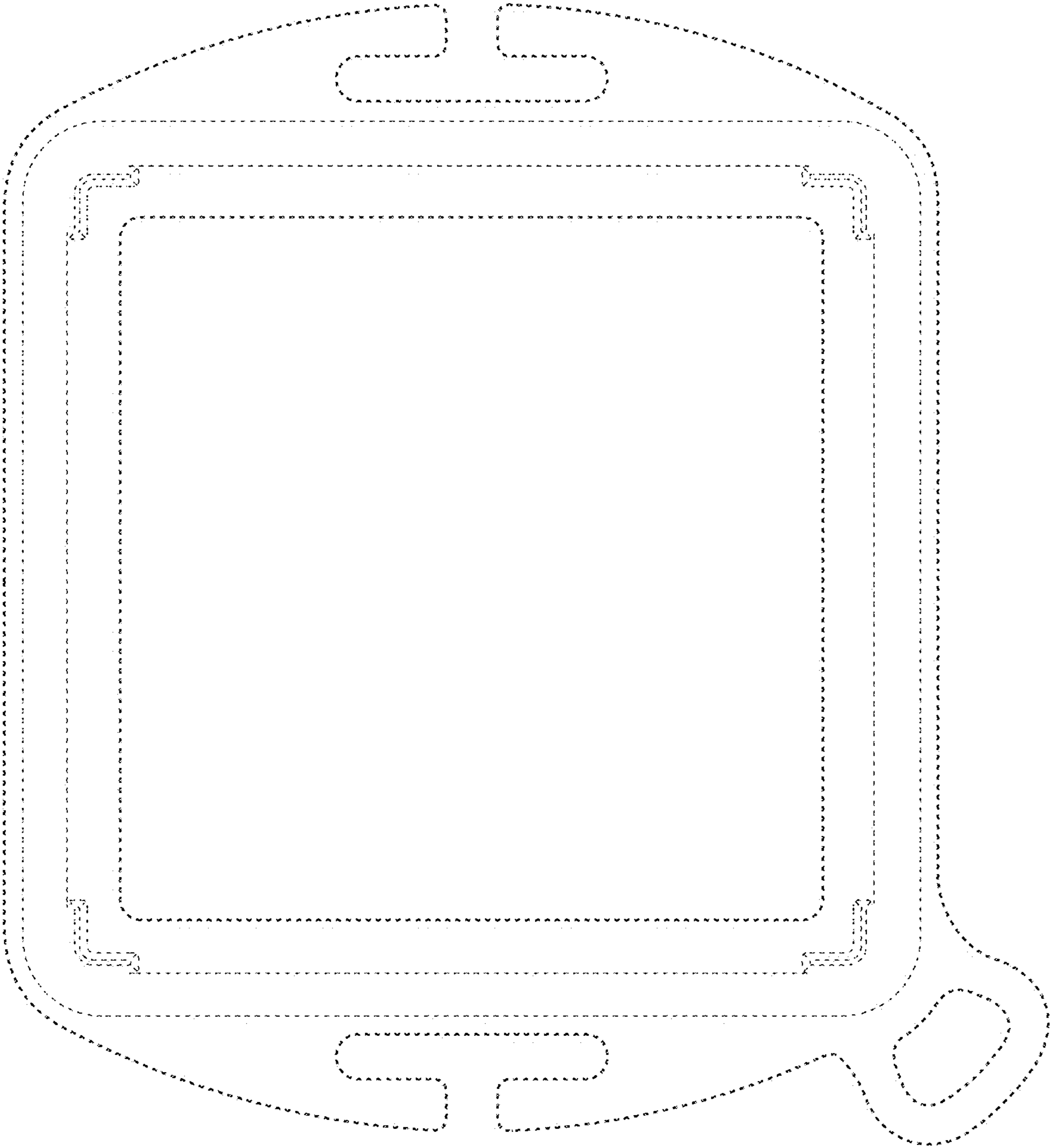


FIG. 10

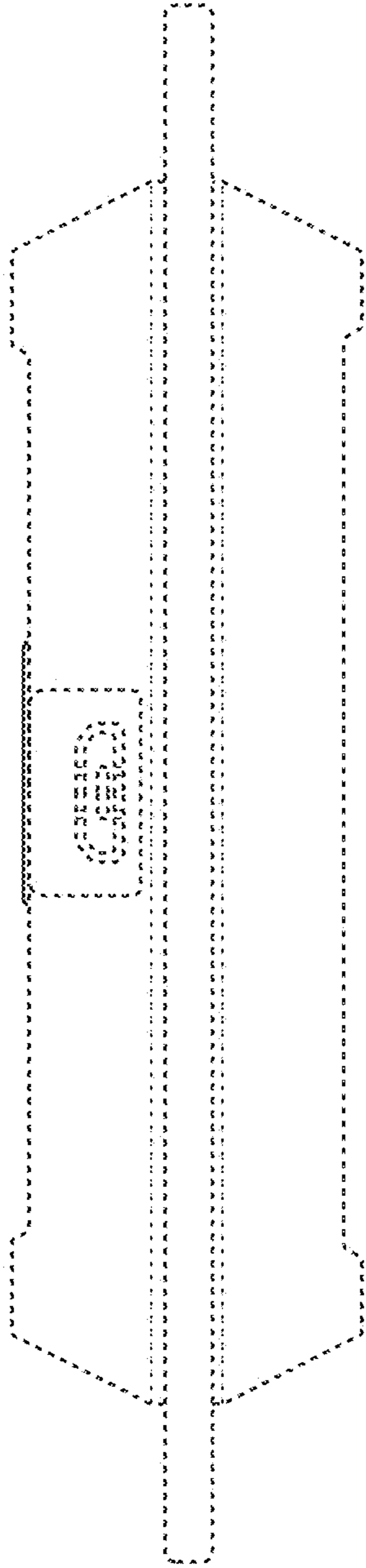


FIG. 11

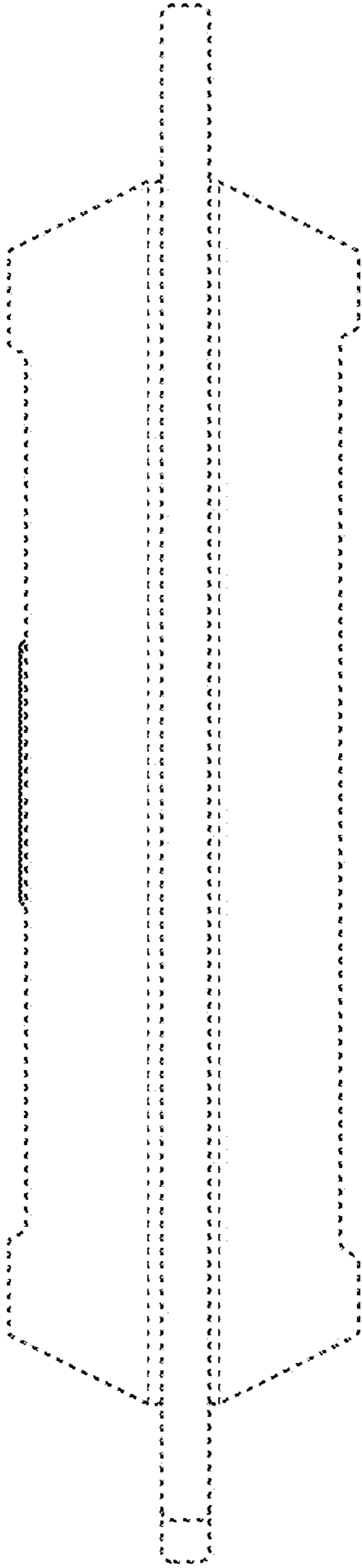


FIG. 12

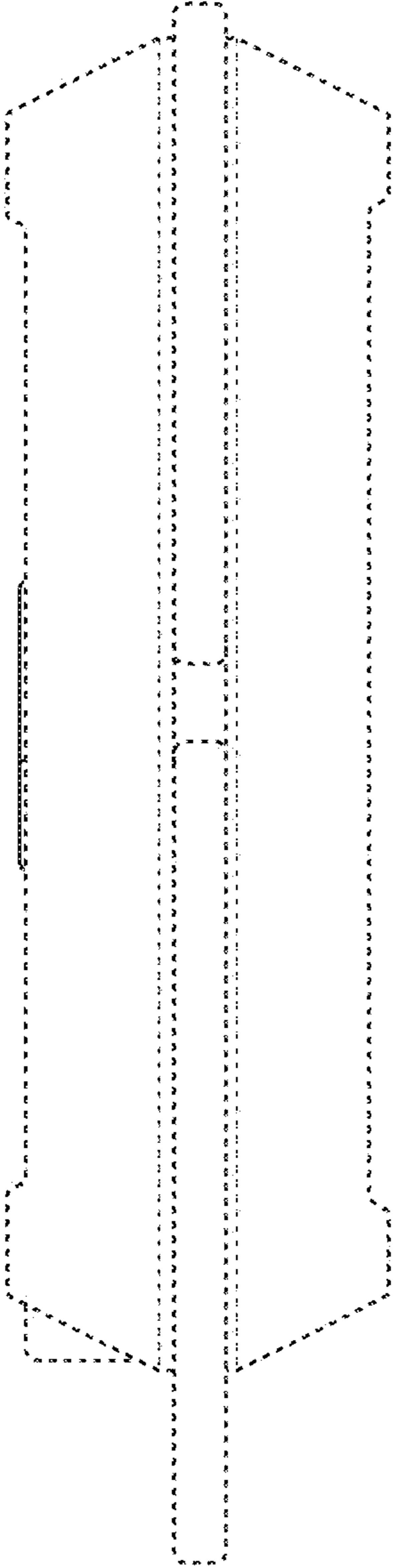


FIG. 13

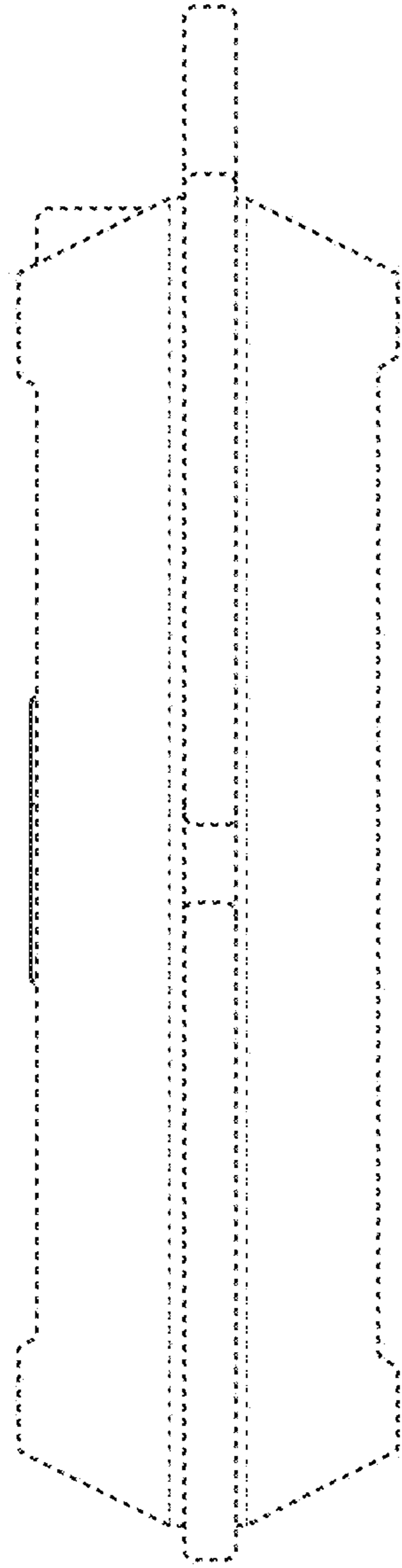


FIG. 14