



US00D885619S

(12) **United States Design Patent** (10) **Patent No.:** **US D885,619 S**  
**Kawaguchi** (45) **Date of Patent:** **\*\* May 26, 2020**

(54) **FRONT COMBINATION LAMP FOR AN AUTOMOBILE**

D720,870 S \* 1/2015 Lim ..... D26/28  
D722,188 S \* 2/2015 Futschik ..... D26/28  
D728,133 S \* 4/2015 Bieling ..... D26/28

(Continued)

(71) Applicant: **Shun Kawaguchi**, Nagoya (JP)

(72) Inventor: **Shun Kawaguchi**, Nagoya (JP)

(73) Assignee: **TOYOTA JIDOSHA KABUSHIKI KAISHA** (JP)

(\*\*) Term: **15 Years**

(21) Appl. No.: **29/645,108**

(22) Filed: **Apr. 24, 2018**

(30) **Foreign Application Priority Data**

Oct. 25, 2017 (JP) ..... 2017-023723  
Oct. 25, 2017 (JP) ..... 2017-023724

(51) **LOC (12) Cl.** ..... **26-06**

(52) **U.S. Cl.**  
USPC ..... **D26/28**

(58) **Field of Classification Search**  
USPC ..... D12/86, 90-92, 114, 163, 169, 171-173,  
D12/181, 190, 196, 197, 199, 400;  
D26/28-36  
CPC ... B62J 6/02; B62J 6/00; B60Q 3/0279; F21S  
48/00; F21S 48/10; F21S 48/115; F21S  
48/225; F21S 48/1233; F21S 48/1266;  
F21S 48/1388; F21S 48/2268; F21V  
21/04

See application file for complete search history.

(56) **References Cited**

**U.S. PATENT DOCUMENTS**

D679,429 S \* 4/2013 Frenzel ..... D26/28  
D708,768 S \* 7/2014 Futschik ..... D26/28  
D709,213 S \* 7/2014 Futschik ..... D26/28  
D712,078 S \* 8/2014 Muntada Roura ..... D26/28  
D713,569 S \* 9/2014 Badstuebner ..... D26/28

**OTHER PUBLICATIONS**

NetCarShow, Honda CR-V (2017), <<https://www.netcarshow.com/honda/2017-cr-v/>>, available as early as Jul. 27, 2017.

(Continued)

*Primary Examiner* — Philip S Hyder  
*Assistant Examiner* — Cary M Robinson  
(74) *Attorney, Agent, or Firm* — Saidman DesignLaw Group, LLC

(57) **CLAIM**

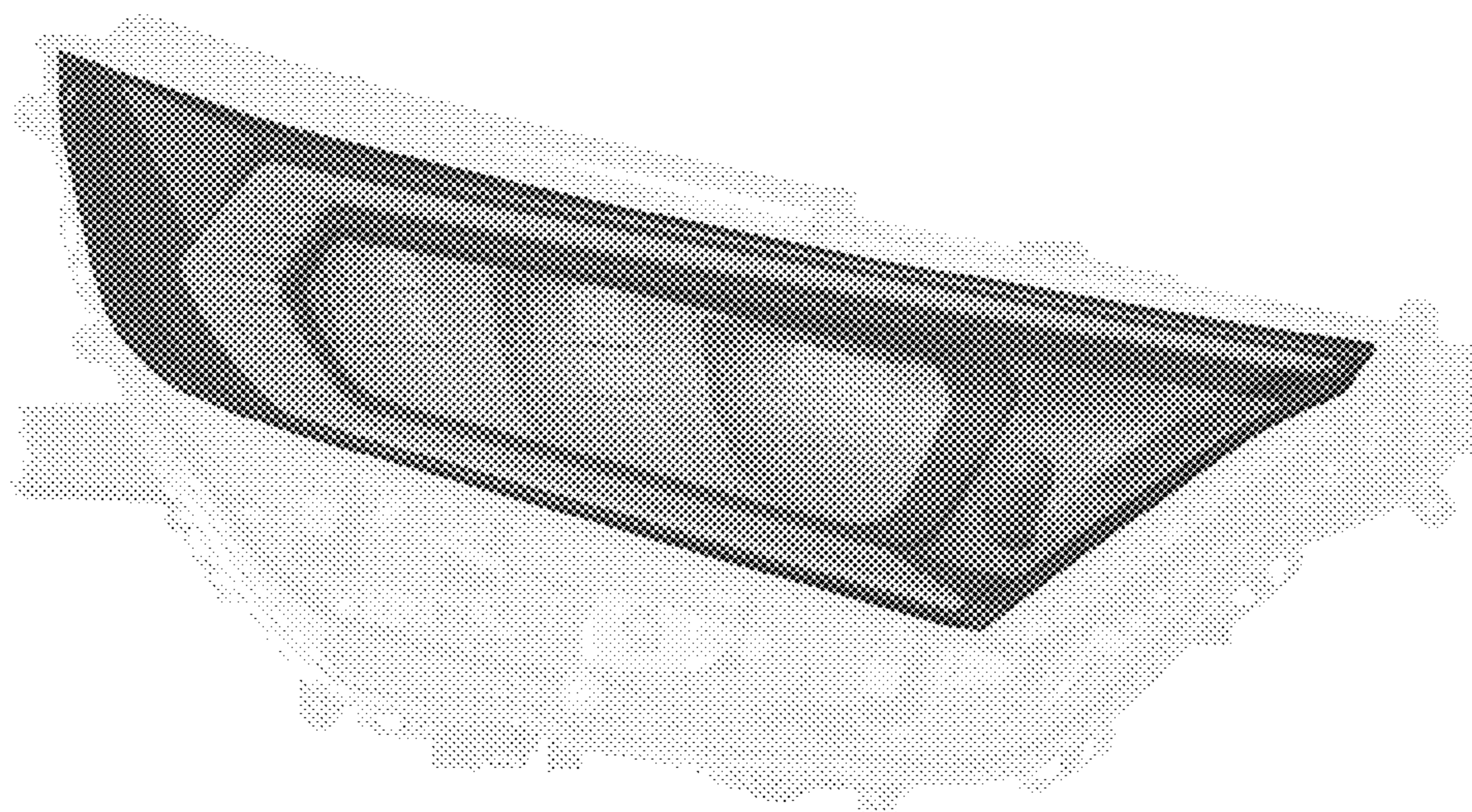
The ornamental design for a front combination lamp for an automobile, as shown and described.

**DESCRIPTION**

FIG. 1 is a perspective view of a front combination lamp for an automobile showing my new design;  
FIG. 2 is a front view thereof;  
FIG. 3 is a rear view thereof;  
FIG. 4 is a left side view thereof;  
FIG. 5 is a right side view thereof;  
FIG. 6 is a top view thereof;  
FIG. 7 is a bottom view thereof;  
FIG. 8 is a perspective view of a second embodiment thereof;  
FIG. 9 is a front view thereof;  
FIG. 10 is a rear view thereof;  
FIG. 11 is a left side view thereof;  
FIG. 12 is a right side view thereof;  
FIG. 13 is a top view thereof; and,  
FIG. 14 is a bottom view thereof.

The claimed design is indicated by the relatively dark portions in the figures. The relatively light portions form no part of the claimed design.

**1 Claim, 14 Drawing Sheets**



(56)

**References Cited**

U.S. PATENT DOCUMENTS

D728,134	S	*	4/2015	Bieling .....	D26/28
D746,495	S	*	12/2015	Gorsten Schuenemann ..	D26/28
D749,763	S	*	2/2016	Sa .....	D26/28
D761,463	S	*	7/2016	Lai .....	D26/28
D761,986	S	*	7/2016	Obatake .....	D26/28
D764,691	S	*	8/2016	Luk .....	D26/28
D767,178	S	*	9/2016	Liu .....	D26/28
D769,485	S	*	10/2016	Morikawa .....	D26/28
D792,621	S	*	7/2017	Komuro .....	D26/28
D838,019	S	*	1/2019	Lin .....	D26/28
D852,991	S	*	7/2019	Von Holzhausen .....	D26/28
D856,552	S	*	8/2019	Lucas .....	D26/28

OTHER PUBLICATIONS

NetCarShow, Nissan Qashqai (2018), <<https://www.netcarshow.com/nissan/2018-qashqai/>>, available as early as Jul. 27, 2017.

NetCarShow, Nissan Rogue (2017), <<https://www.netcarshow.com/nissan/2017-rogue/>>, available as early as Jul. 27, 2017.

NetCarShow, Renault Koleos (2017), <<https://www.netcarshow.com/renault/2017-koleos/>>, available as early as Jul. 27, 2017.

\* cited by examiner

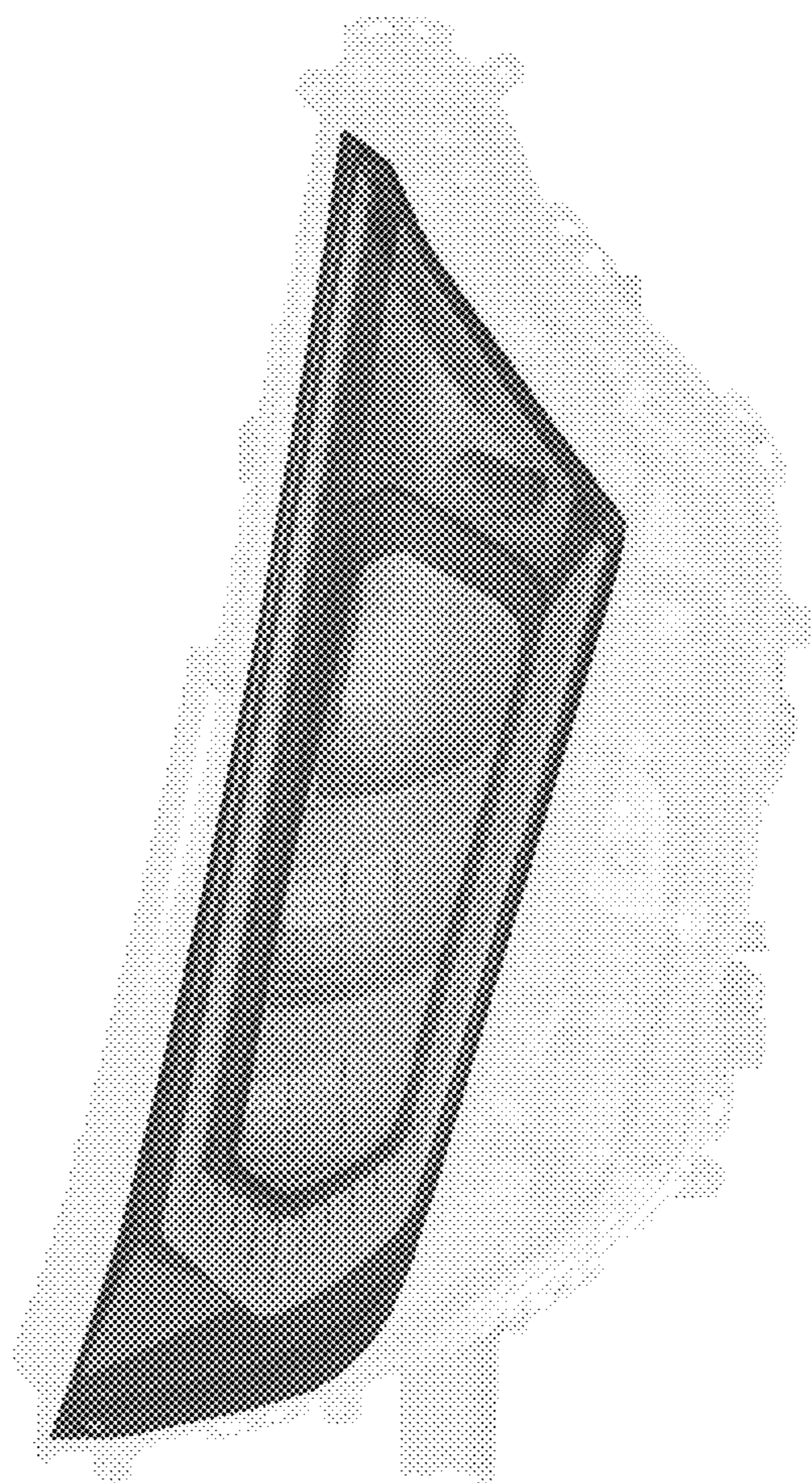


FIG. 1

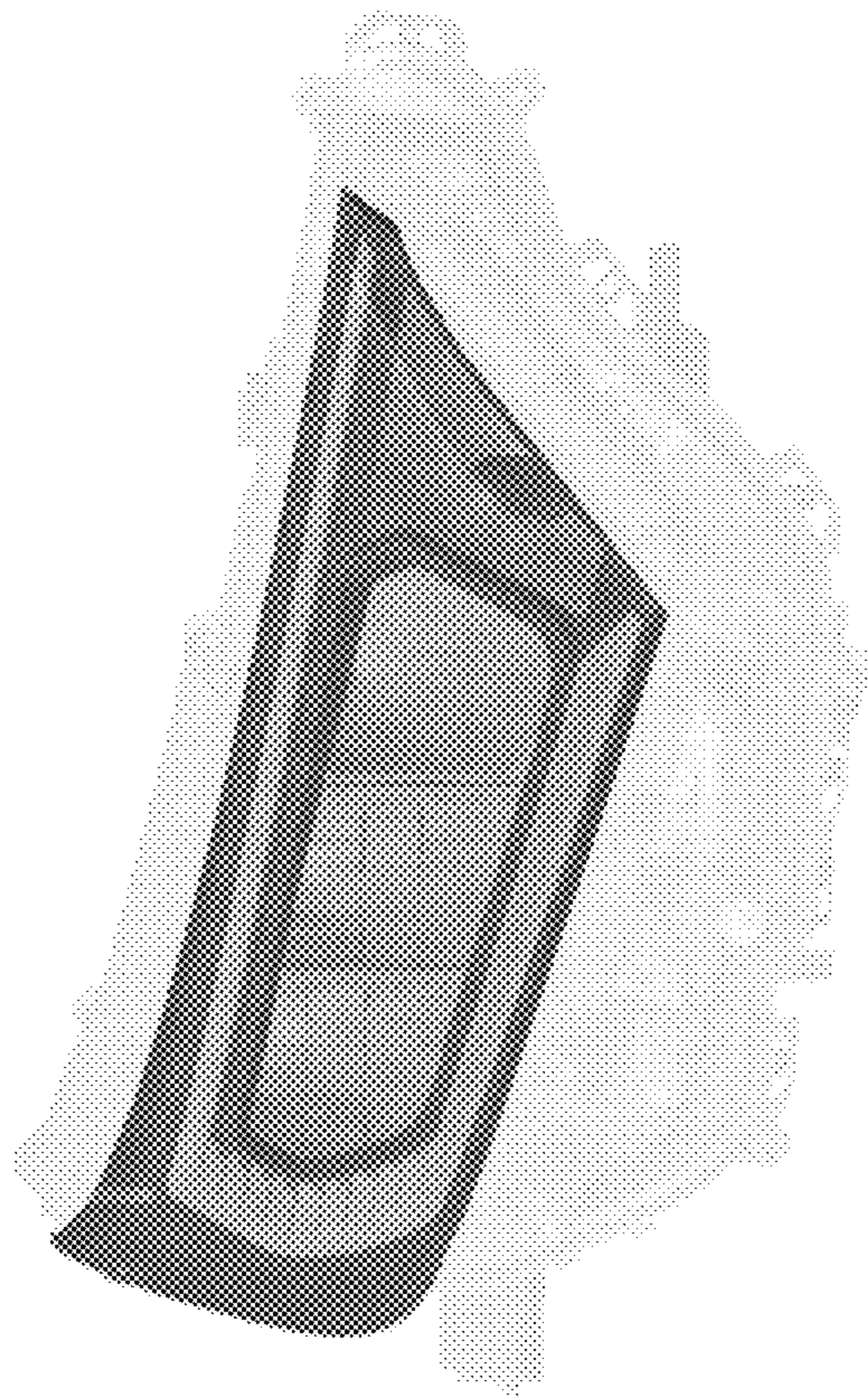


FIG. 2



FIG. 3

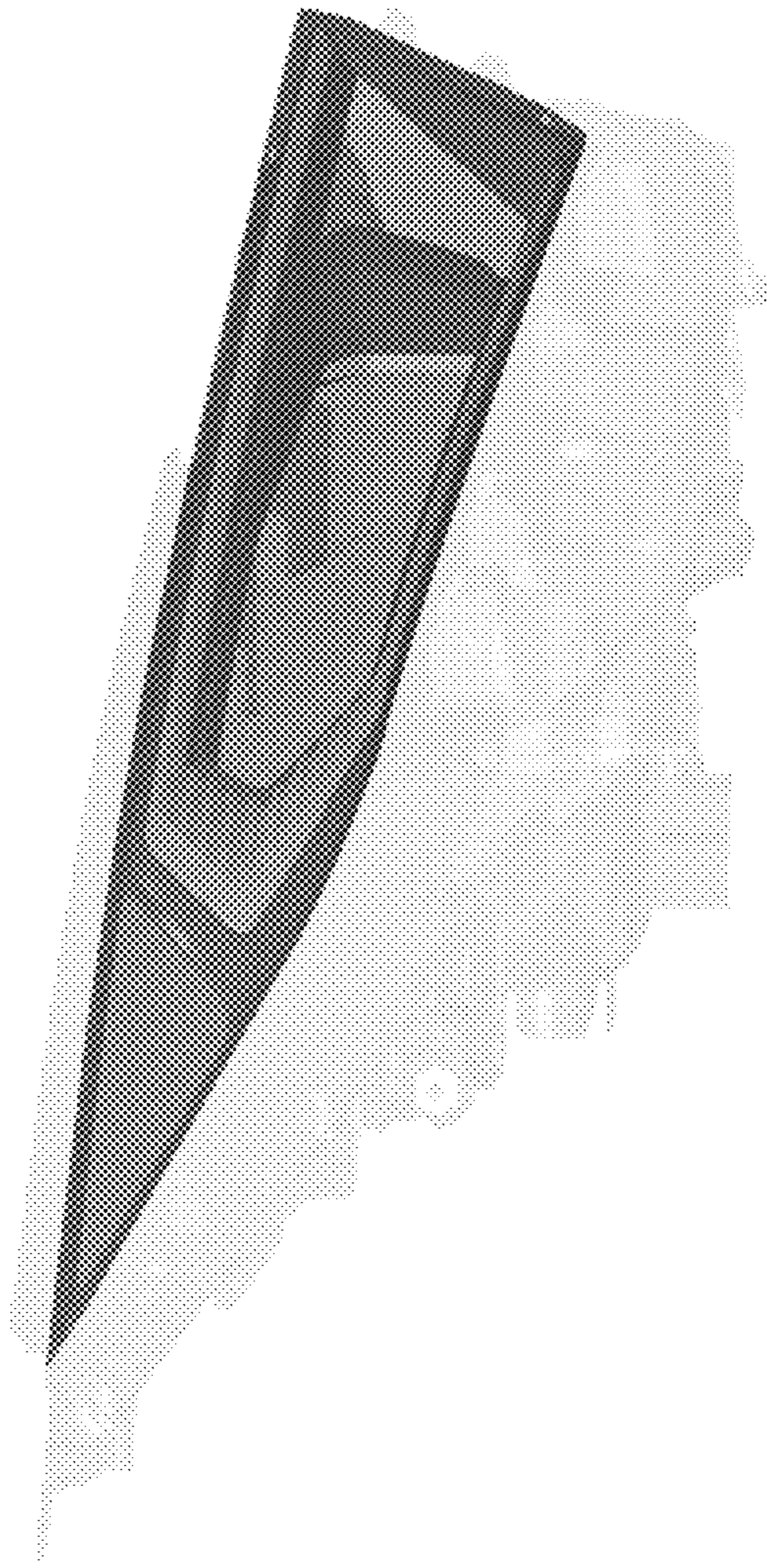


FIG. 4

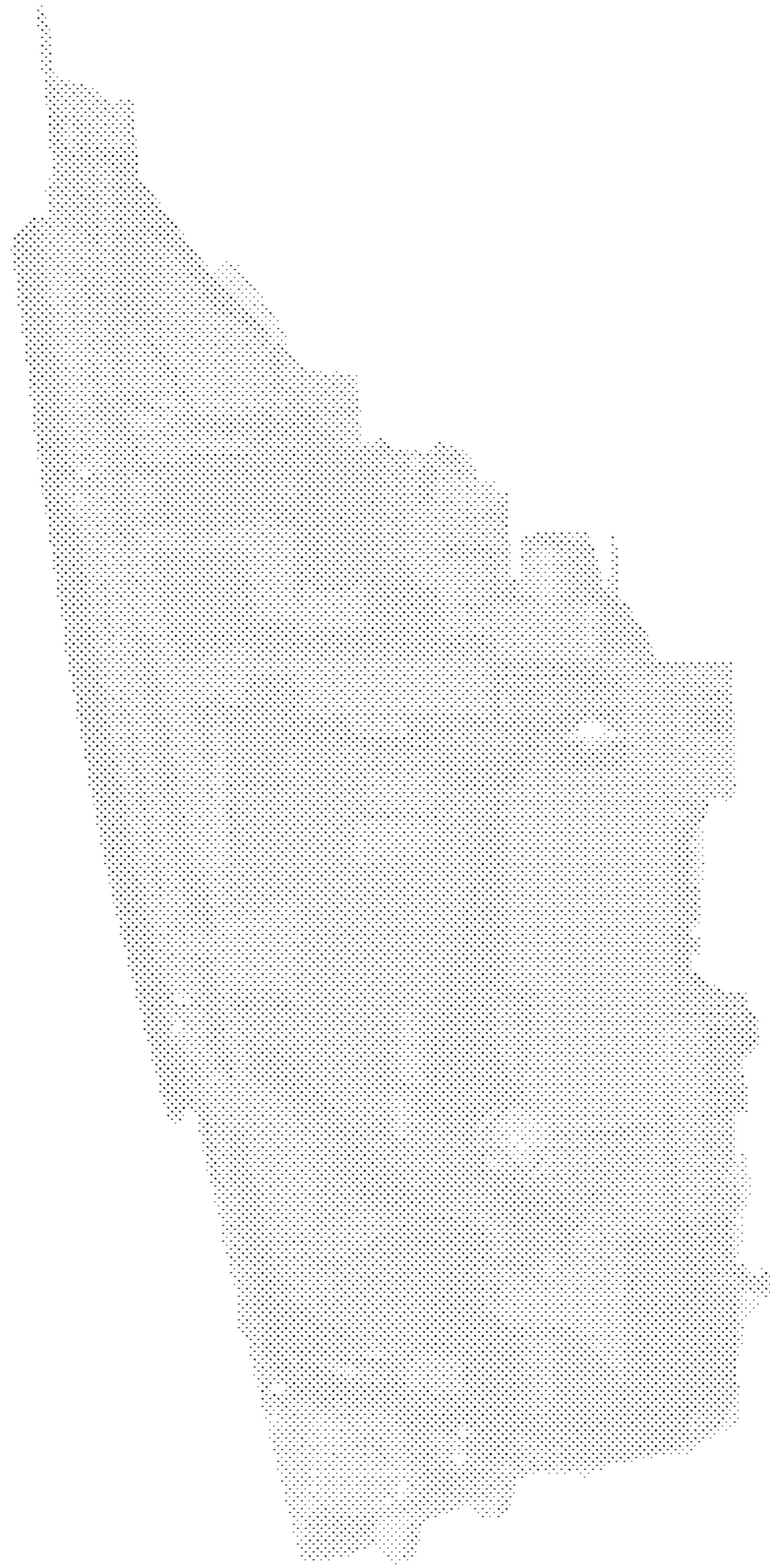


FIG. 5

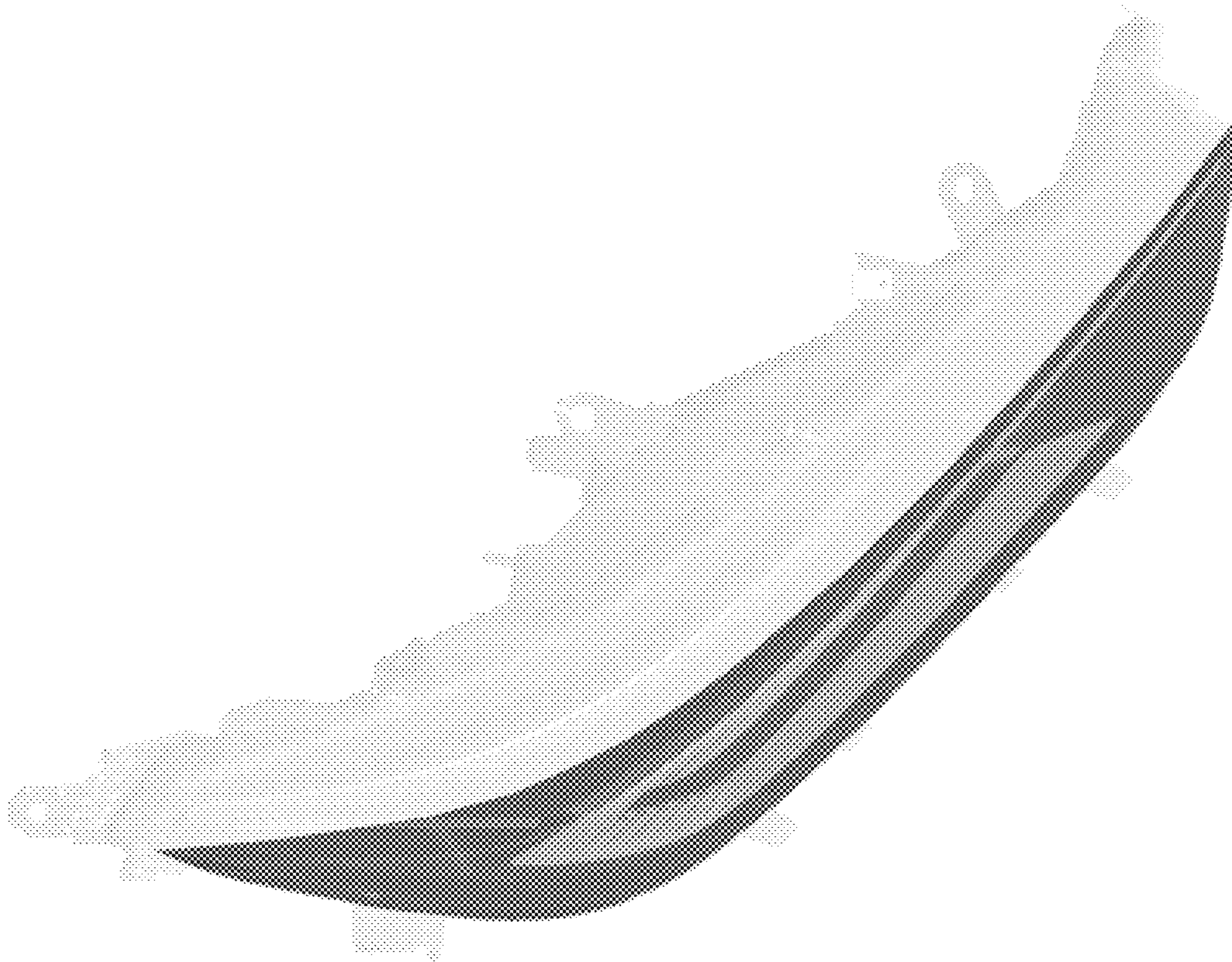


FIG. 6





FIG. 7

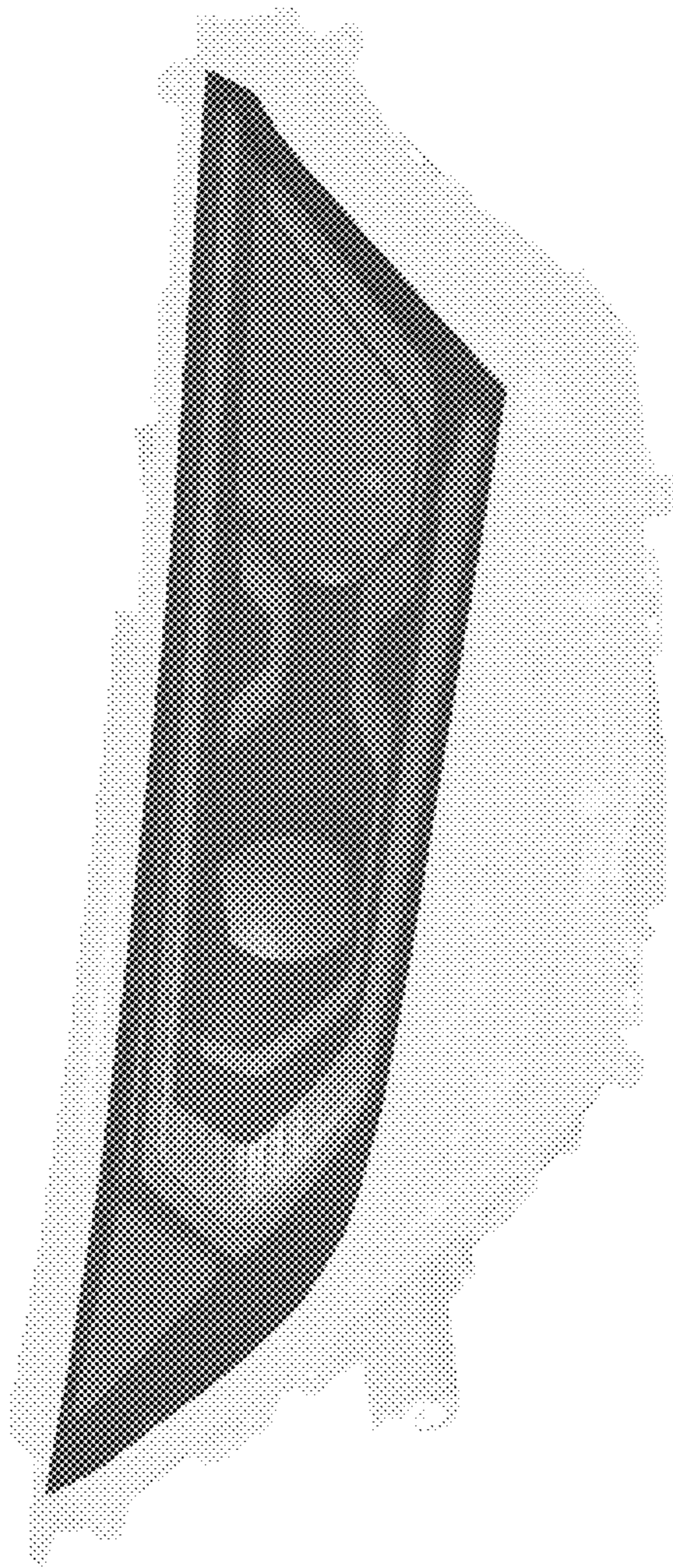


FIG. 8

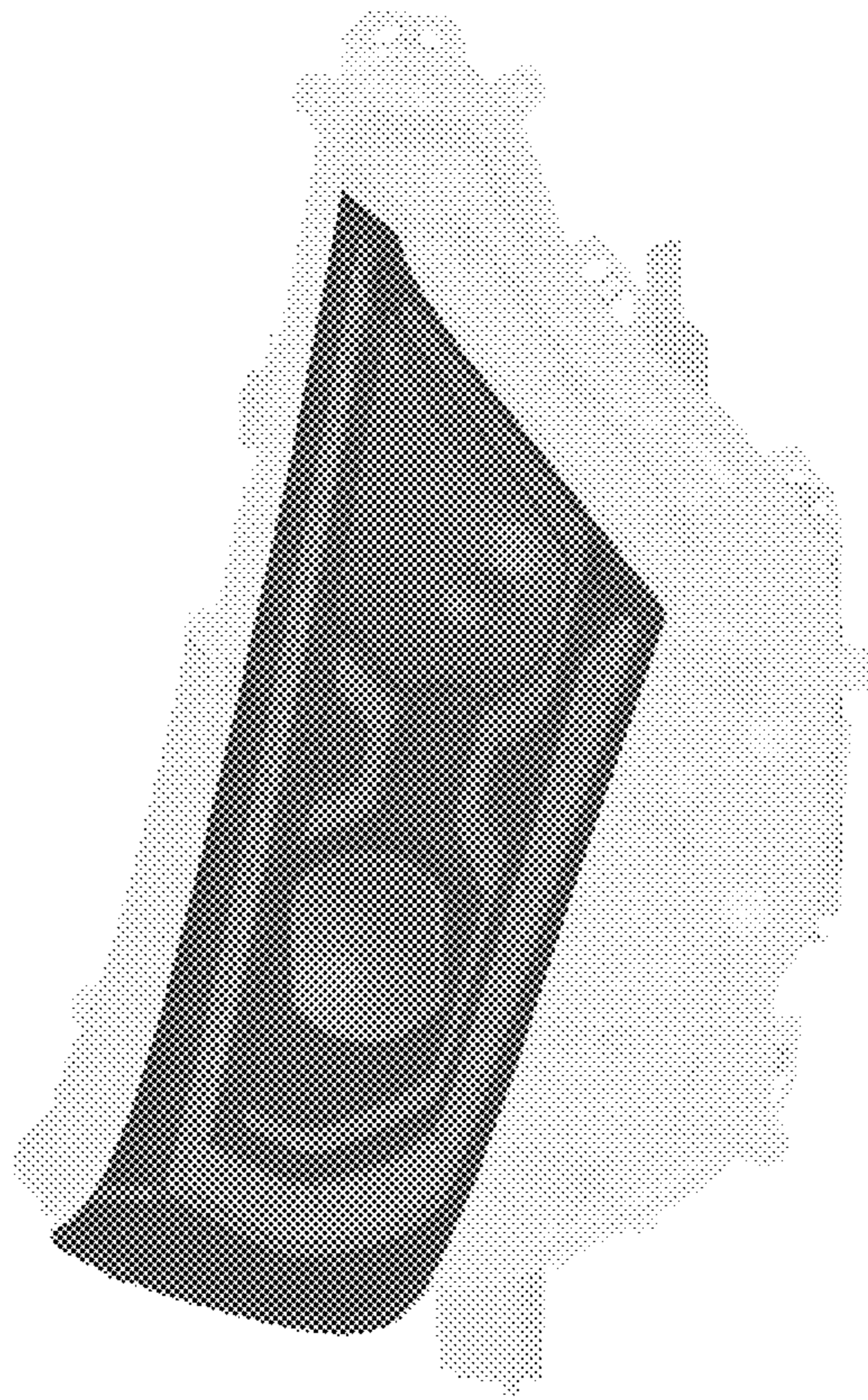


FIG. 9



FIG. 10

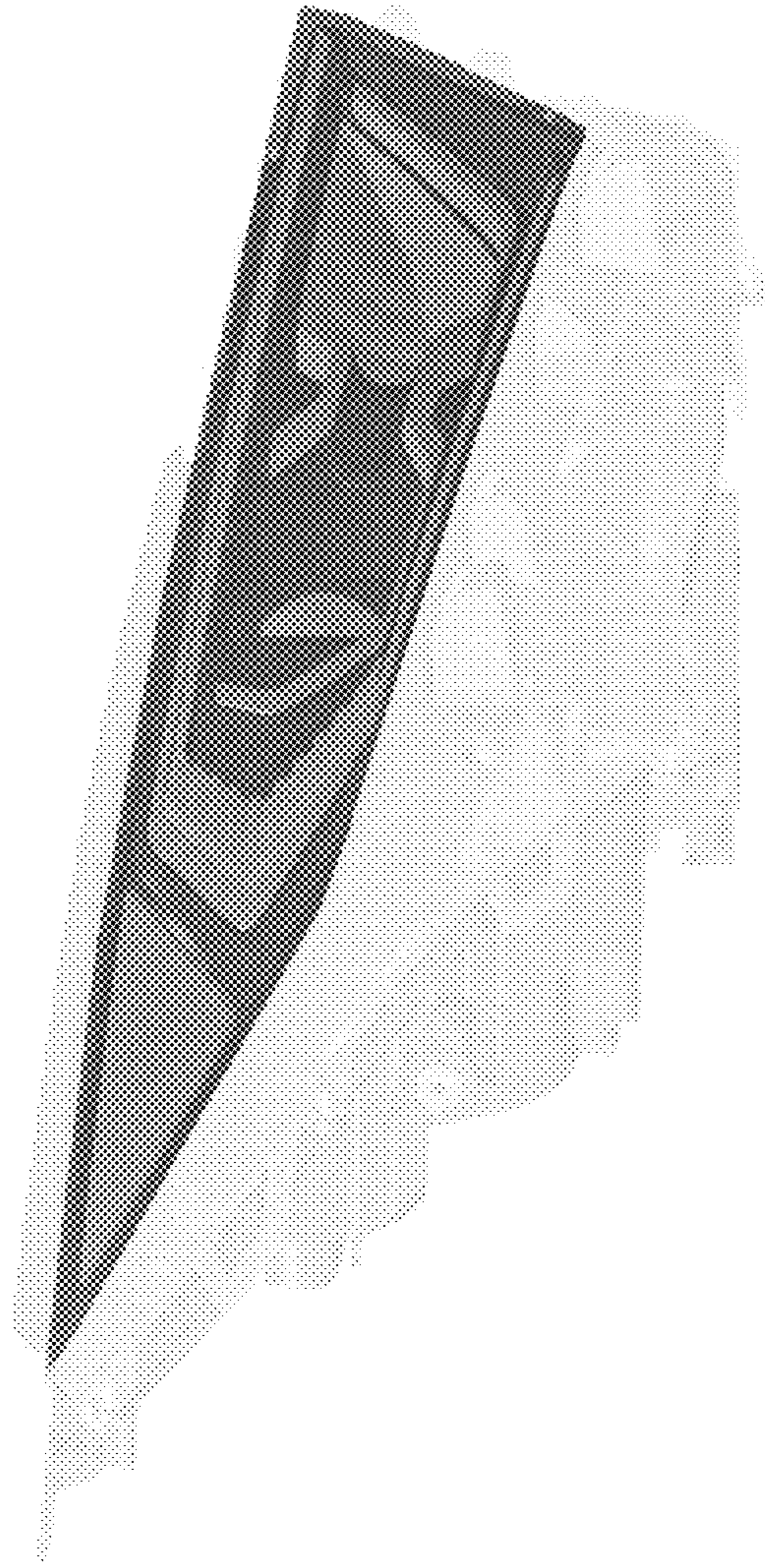


FIG. 11

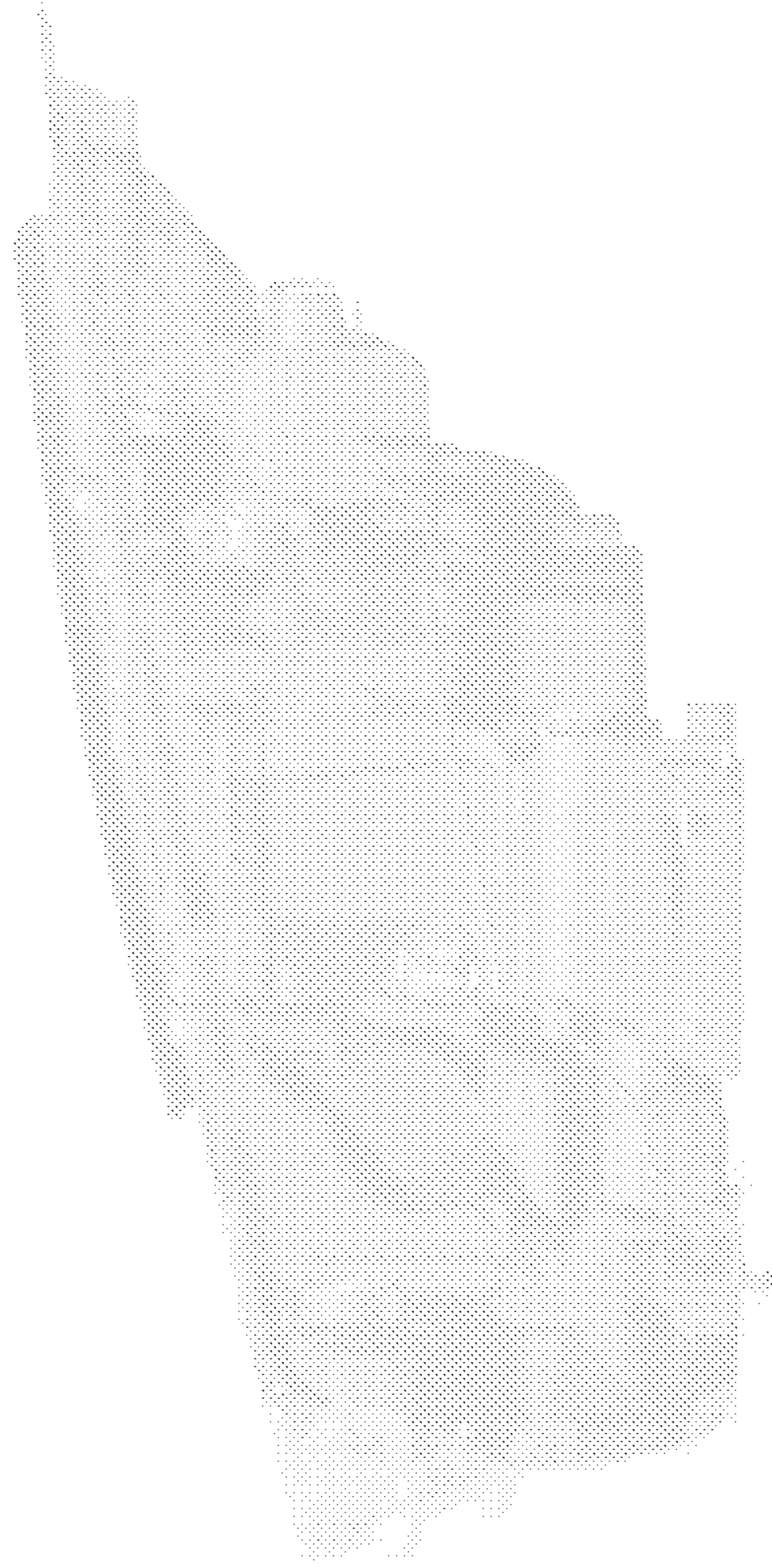


FIG. 12

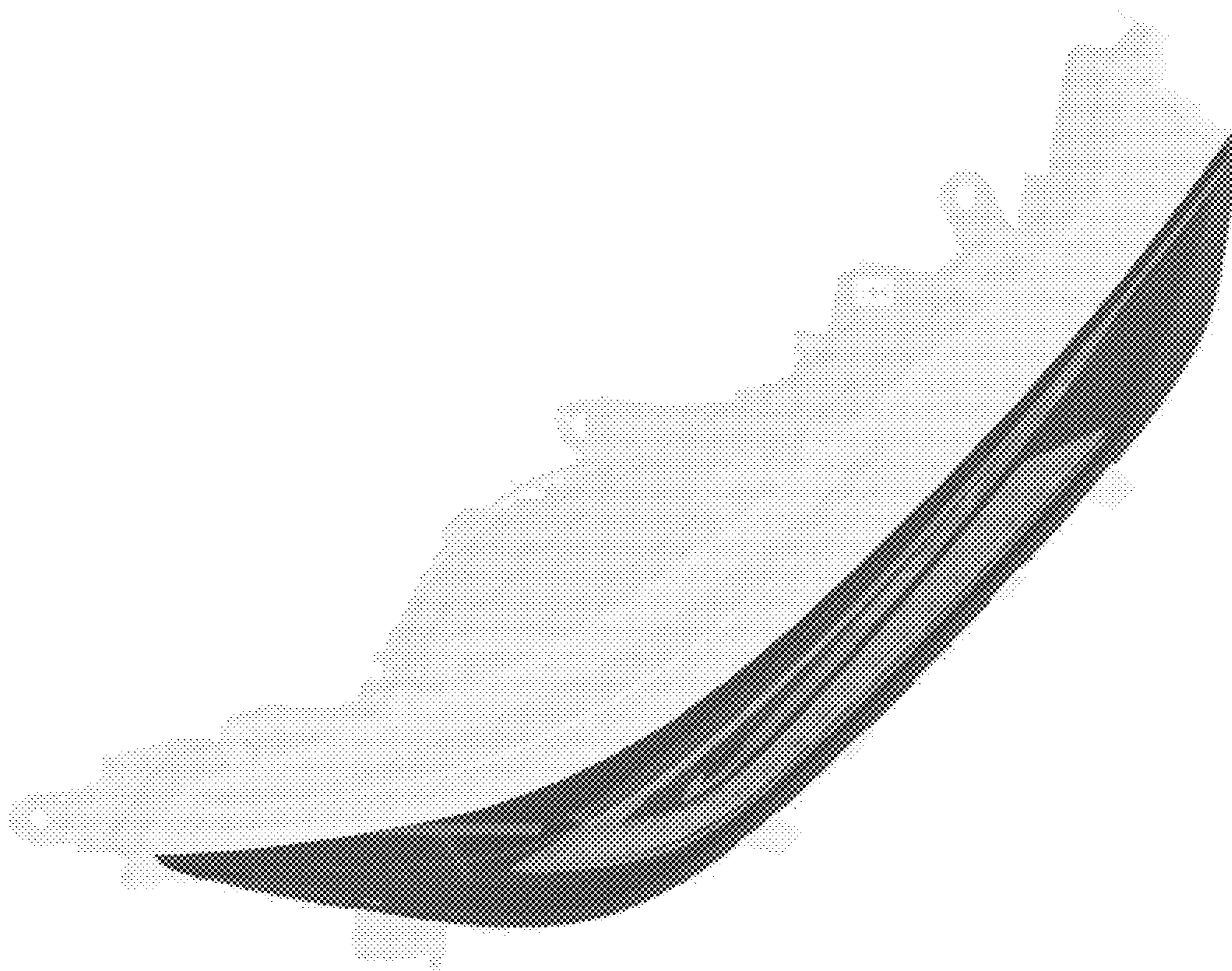


FIG. 13

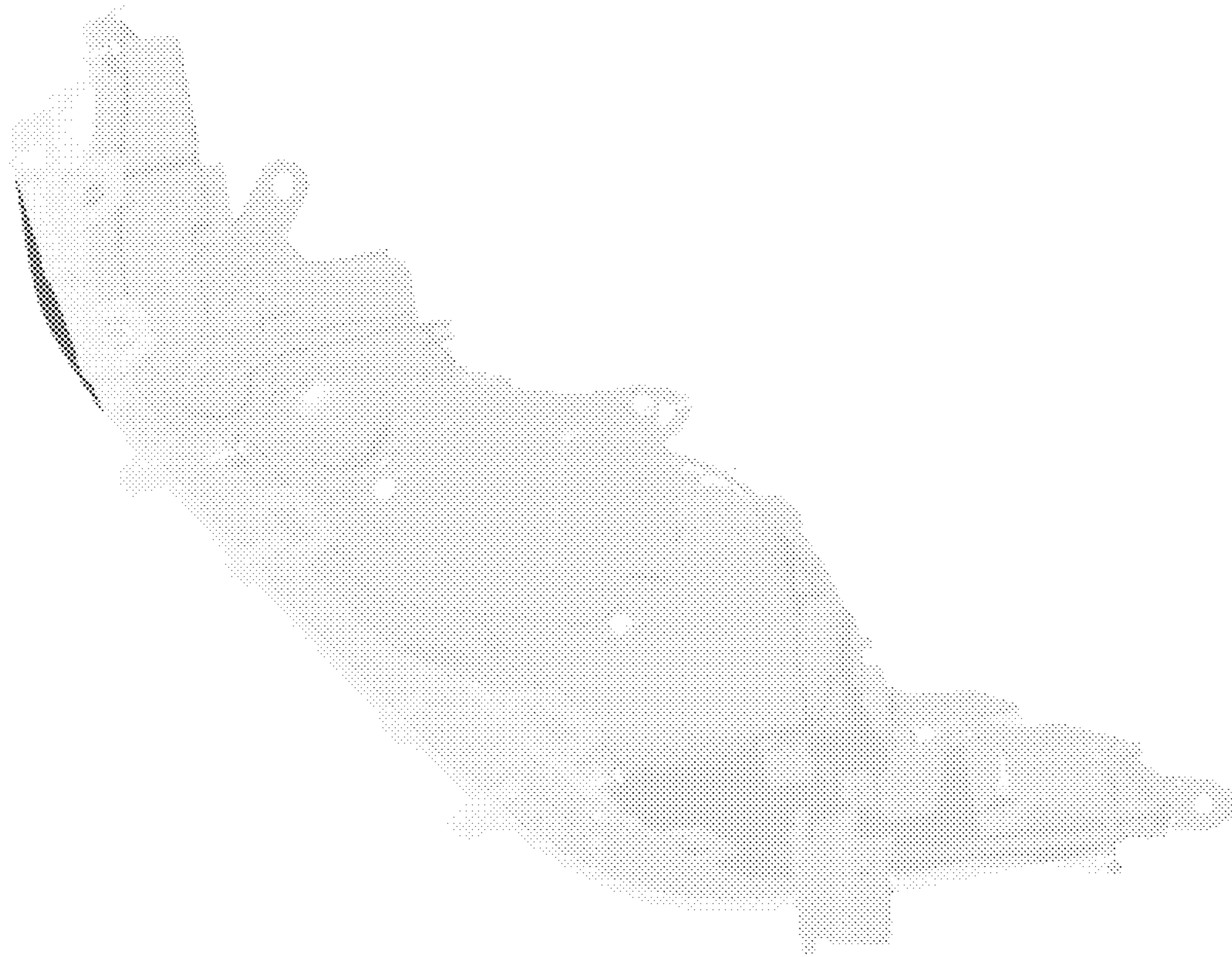


FIG. 14