



US00D885617S

(12) **United States Design Patent**
Li

(10) **Patent No.:** **US D885,617 S**

(45) **Date of Patent:** **** May 26, 2020**

(54) **LIGHT**

(71) Applicant: **Meiyan Li**, Quanzhou (CN)

(72) Inventor: **Meiyan Li**, Quanzhou (CN)

(**) Term: **15 Years**

(21) Appl. No.: **29/718,834**

(22) Filed: **Dec. 30, 2019**

(51) **LOC (12) Cl.** **26-03**

(52) **U.S. Cl.**
USPC **D26/25**

(58) **Field of Classification Search**

USPC D26/1, 24, 25, 27, 37, 39, 110, 118
CPC F21S 4/10; F21S 4/002; F21S 4/005; F21S
4/007; G02B 6/0006; G02B 6/0008;
G02B 6/4298; G02B 6/001; F21Y
2101/02; F21K 9/00; A44C 15/0015;
F21V 33/008; A01G 5/04

See application file for complete search history.

(56) **References Cited**

U.S. PATENT DOCUMENTS

D345,430 S	*	3/1994	Ridgeway	D26/25
D375,179 S	*	10/1996	Wisdom	D26/25
D383,870 S	*	9/1997	Colombo	D26/110
D582,582 S	*	12/2008	Ferrigno	D26/25
D778,468 S	*	2/2017	van der Lande	D26/25
D862,749 S	*	10/2019	Finch	D26/25
D874,692 S	*	2/2020	Dai	D26/25

OTHER PUBLICATIONS

“5pcs 65mm AAA round battery case 2XAAA battery holder with LED string of lights Glass ball Wine bottle base lamp”, Retrieved Dec. 20, 2019]. Retrieved from Internet, https://www.aliexpress.com/item/4000298772718.html?spm=a2g0o.productlist.0.0.e256662bOF2rAS&algo_pvid=e7c78ab8-5afc-43b6-9eae.

* cited by examiner

Primary Examiner — Brian N. Vinson

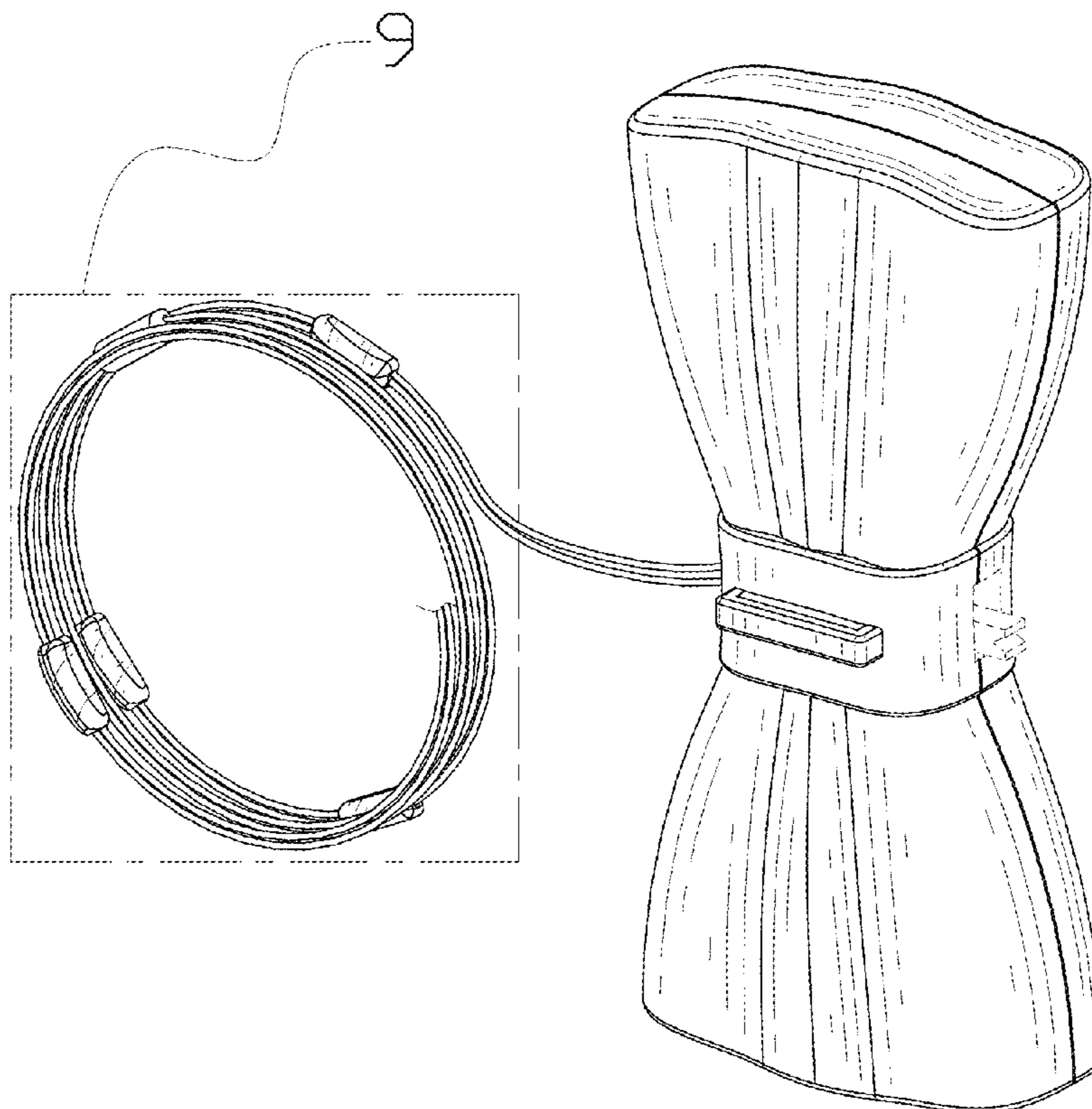
(57) **CLAIM**

The ornamental design for a light, as shown and described.

DESCRIPTION

FIG. 1 is a perspective view of a light showing my new design;
FIG. 2 is another perspective view thereof;
FIG. 3 is a front elevational view thereof;
FIG. 4 is a rear elevational view thereof;
FIG. 5 is a left side elevational view thereof;
FIG. 6 is a right side elevational view thereof;
FIG. 7 is a top plan view thereof;
FIG. 8 is a bottom plan view thereof; and,
FIG. 9 is an enlarged view of portion 9 shown in FIG. 1.
The light is shown with a symbolic break in its length. The symbolic break lines from no part of the claimed design. The broken lines in the drawings depict portions of the light that form no part of the claimed design.

1 Claim, 9 Drawing Sheets



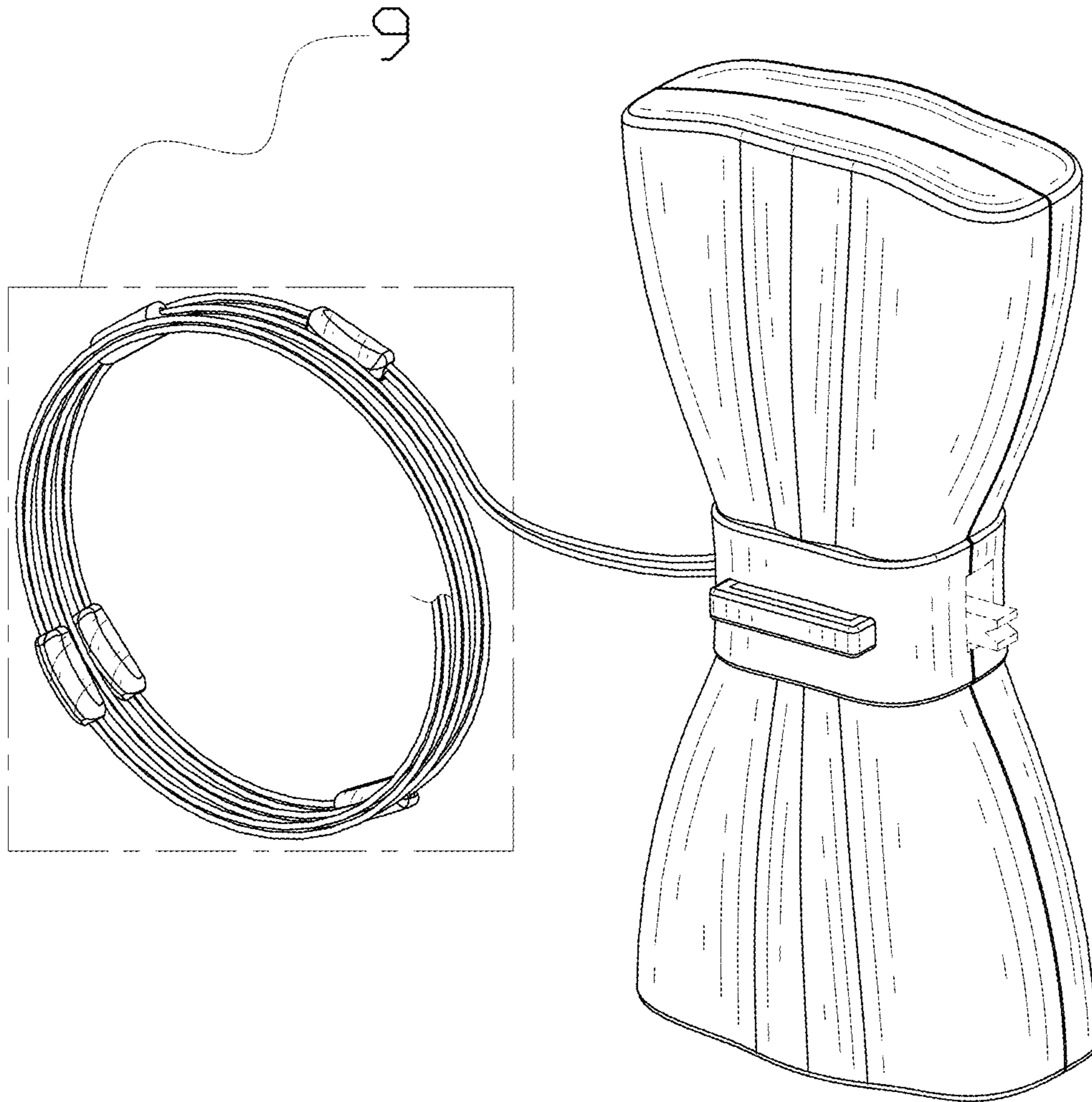


FIG. 1

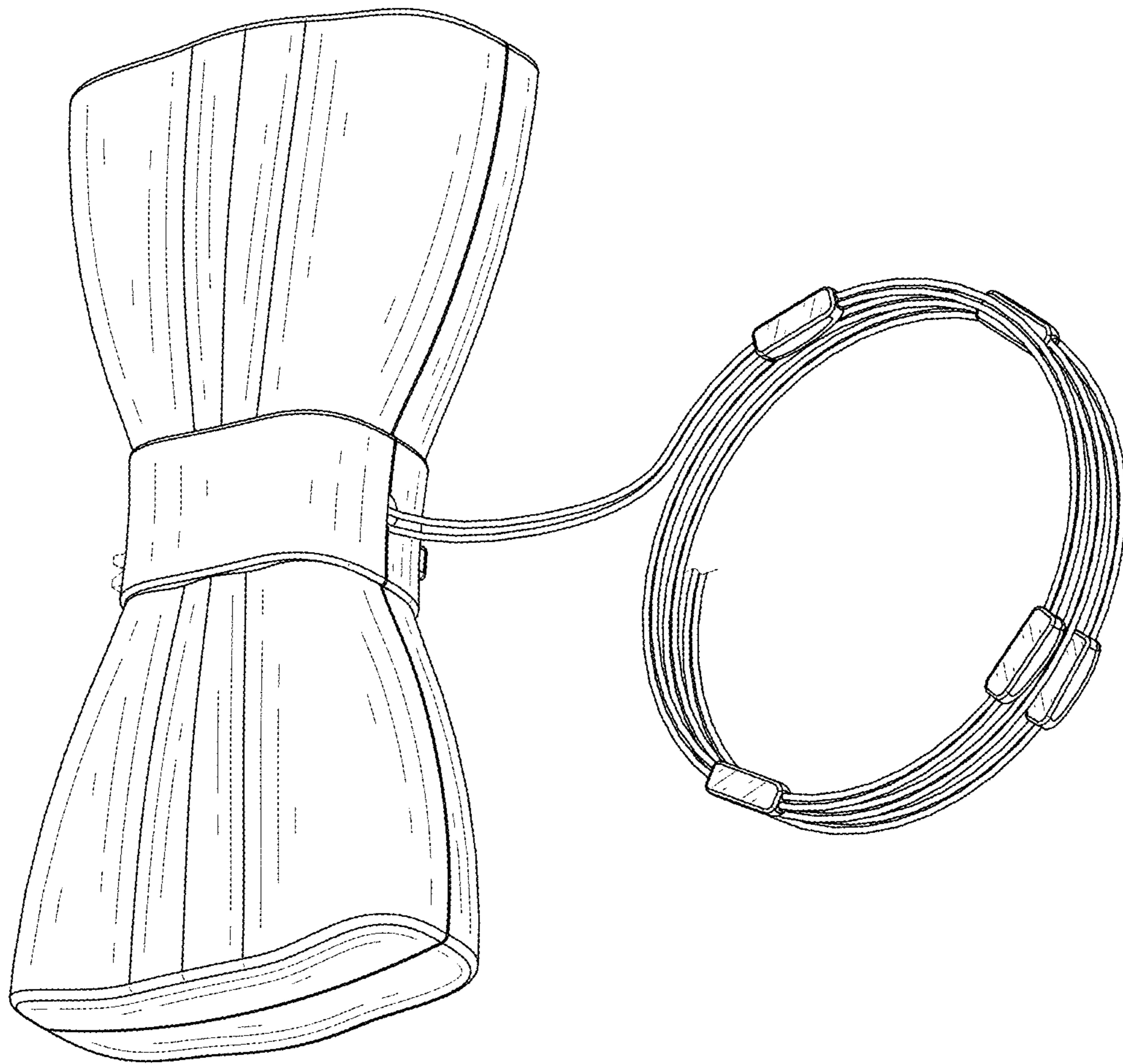


FIG. 2

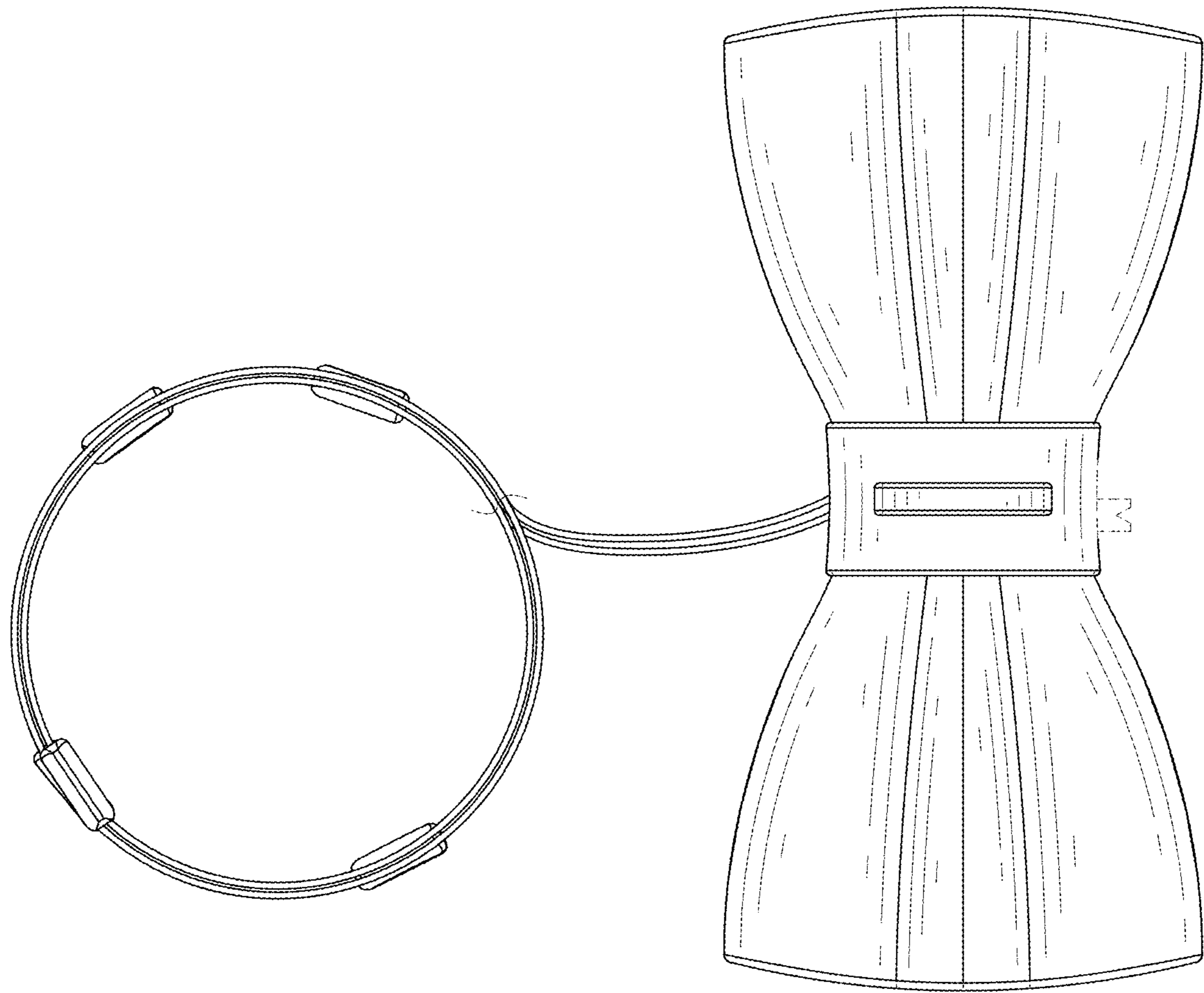


FIG. 3

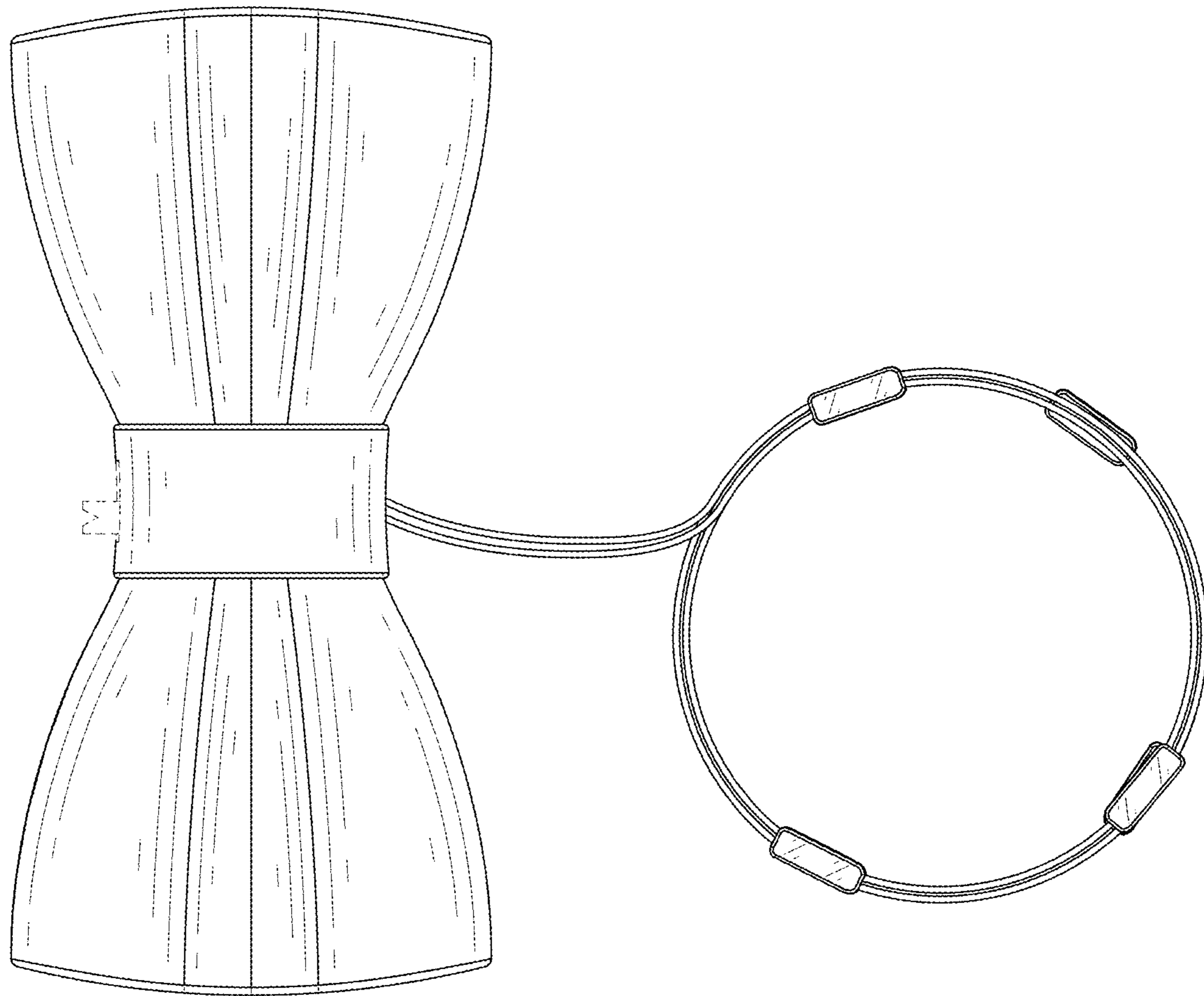


FIG. 4

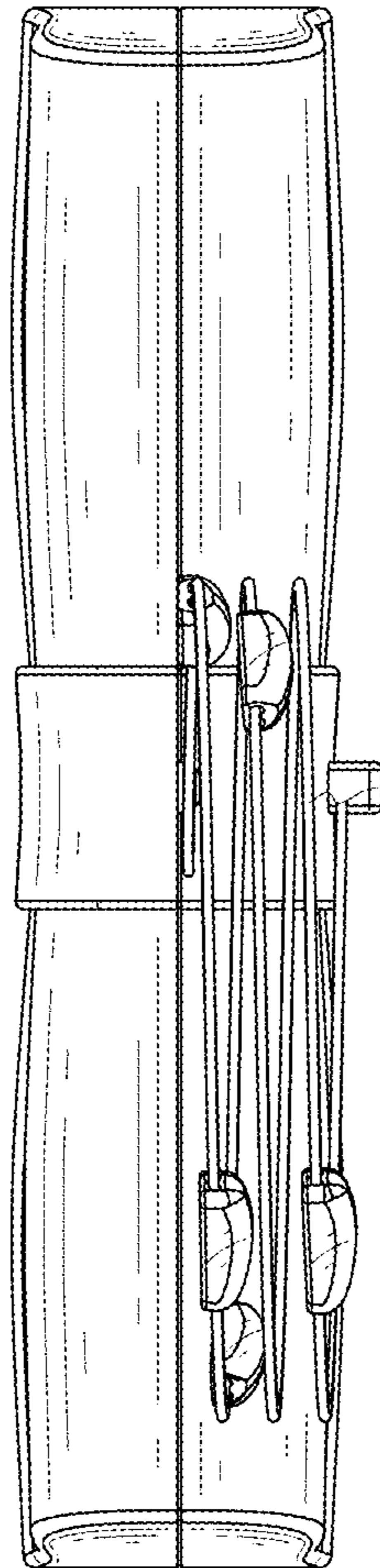


FIG. 5

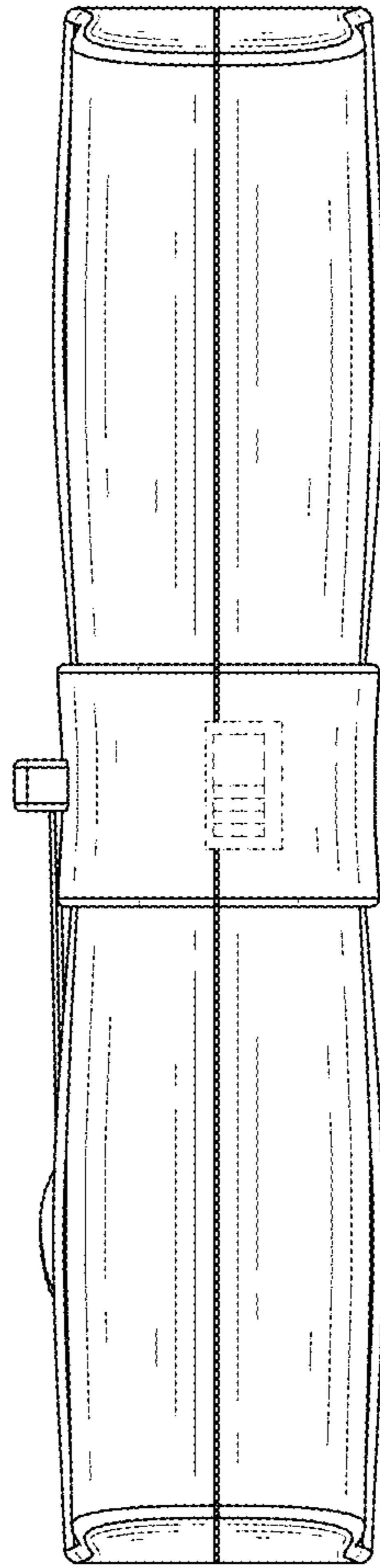


FIG. 6

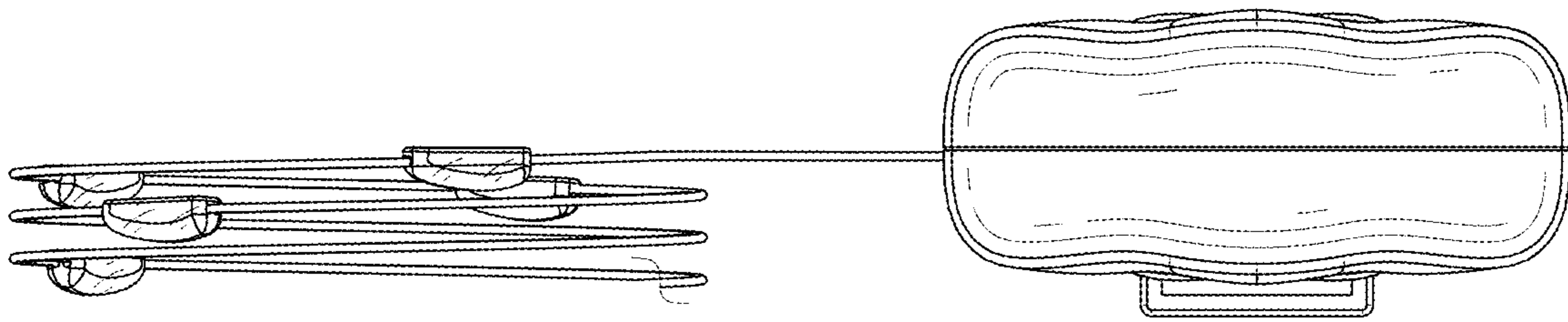


FIG. 7

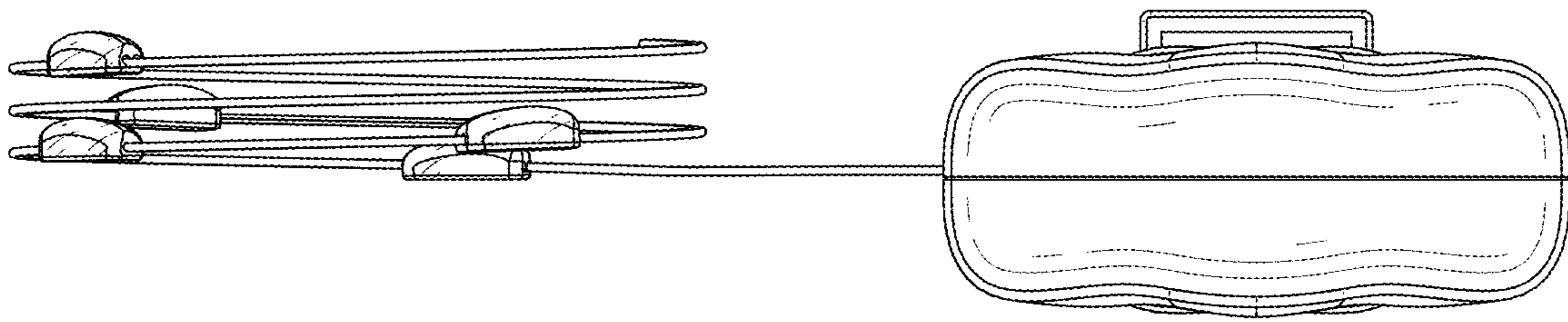


FIG. 8

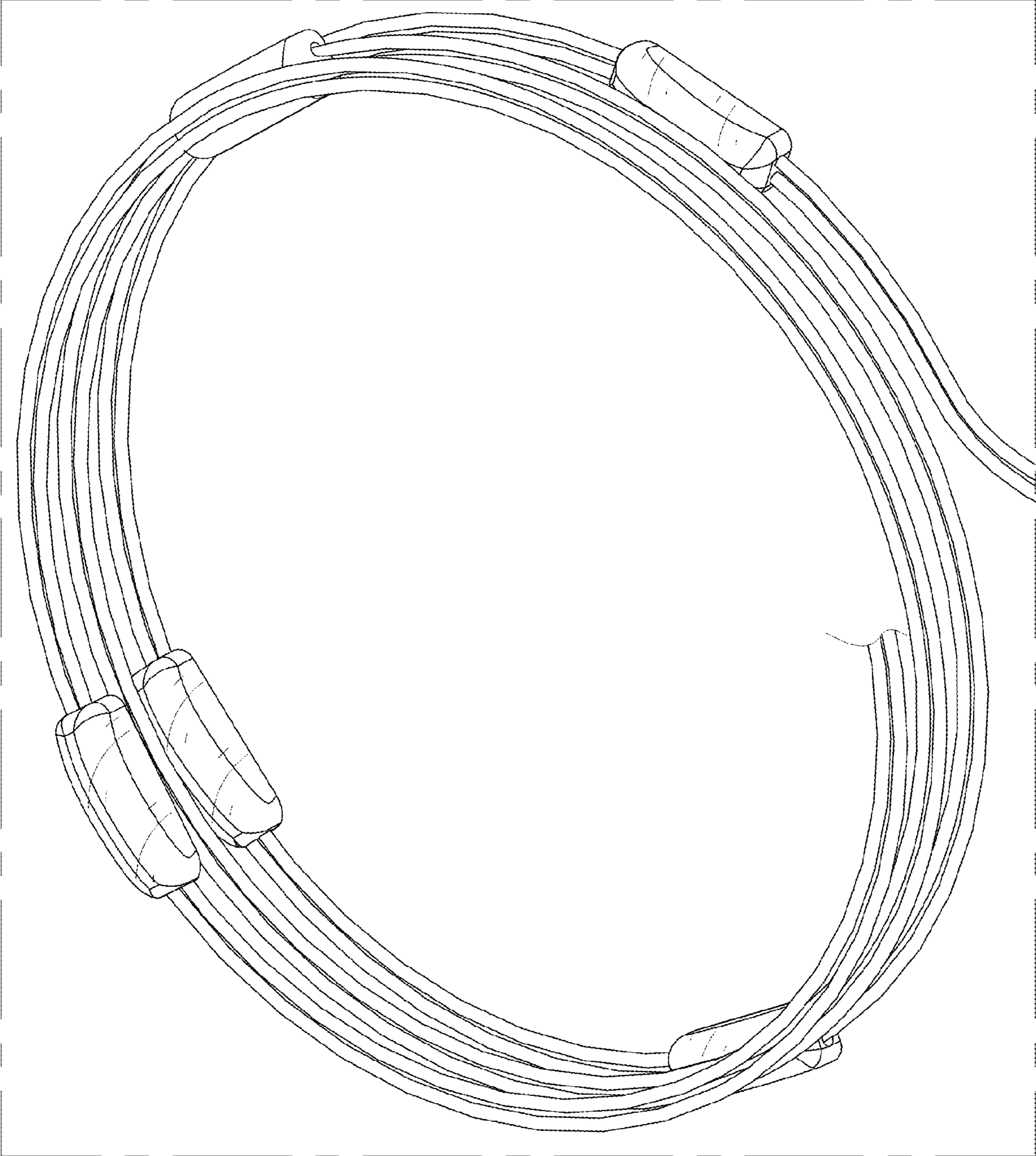


FIG. 9