



US00D885612S

(12) **United States Design Patent** (10) **Patent No.:** **US D885,612 S**
Taylor (45) **Date of Patent:** **** May 26, 2020**

(54) **POST**

(71) Applicant: **ONESTEEL WIRE PTY LIMITED,**
St Leonards, New South Wales (AU)

(72) Inventor: **Bradley Taylor,** St Leonards (AU)

(73) Assignee: **ONESTEEL WIRE PTY LIMITED,**
St Leonards, New South Wales (AU)

(**) Term: **15 Years**

(21) Appl. No.: **29/602,457**

(22) Filed: **May 1, 2017**

(30) **Foreign Application Priority Data**

Nov. 2, 2016 (AU) 201616183

(51) **LOC (12) Cl.** **25-01**

(52) **U.S. Cl.**
USPC **D25/126**

(58) **Field of Classification Search**

USPC D25/61, 62, 119, 120, 121, 122, 123,
D25/124, 125, 126, 127, 128, 129, 130,
D25/131, 132, 133, 134, 135, 136
CPC E04B 1/0046; E04B 2001/2421; E04C
2003/0417; E04C 2003/0465; E06B 9/52;
E04H 12/085

See application file for complete search history.

(56) **References Cited**

U.S. PATENT DOCUMENTS

D587,819 S * 3/2009 Ryan D25/119
D606,212 S * 12/2009 O'Toole D25/135
D723,186 S * 2/2015 Taylor D25/119

D723,187 S * 2/2015 Taylor D25/119
D723,188 S * 2/2015 Taylor D25/119
D725,296 S * 3/2015 Taylor D25/126
D725,297 S * 3/2015 Taylor D25/126
D735,895 S * 8/2015 Edmondson D25/126
D743,577 S * 11/2015 Thornburg, II D25/126
D756,538 S * 5/2016 Bryant D25/126
D799,069 S * 10/2017 Tech D25/126
D815,758 S * 4/2018 Hendry D25/126
D817,918 S * 5/2018 Sabatino D14/188
10,323,436 B2 * 6/2019 White E04H 17/10

* cited by examiner

Primary Examiner — Samantha Q Lawrence

(74) *Attorney, Agent, or Firm* — Michael Best & Friedrich LLP

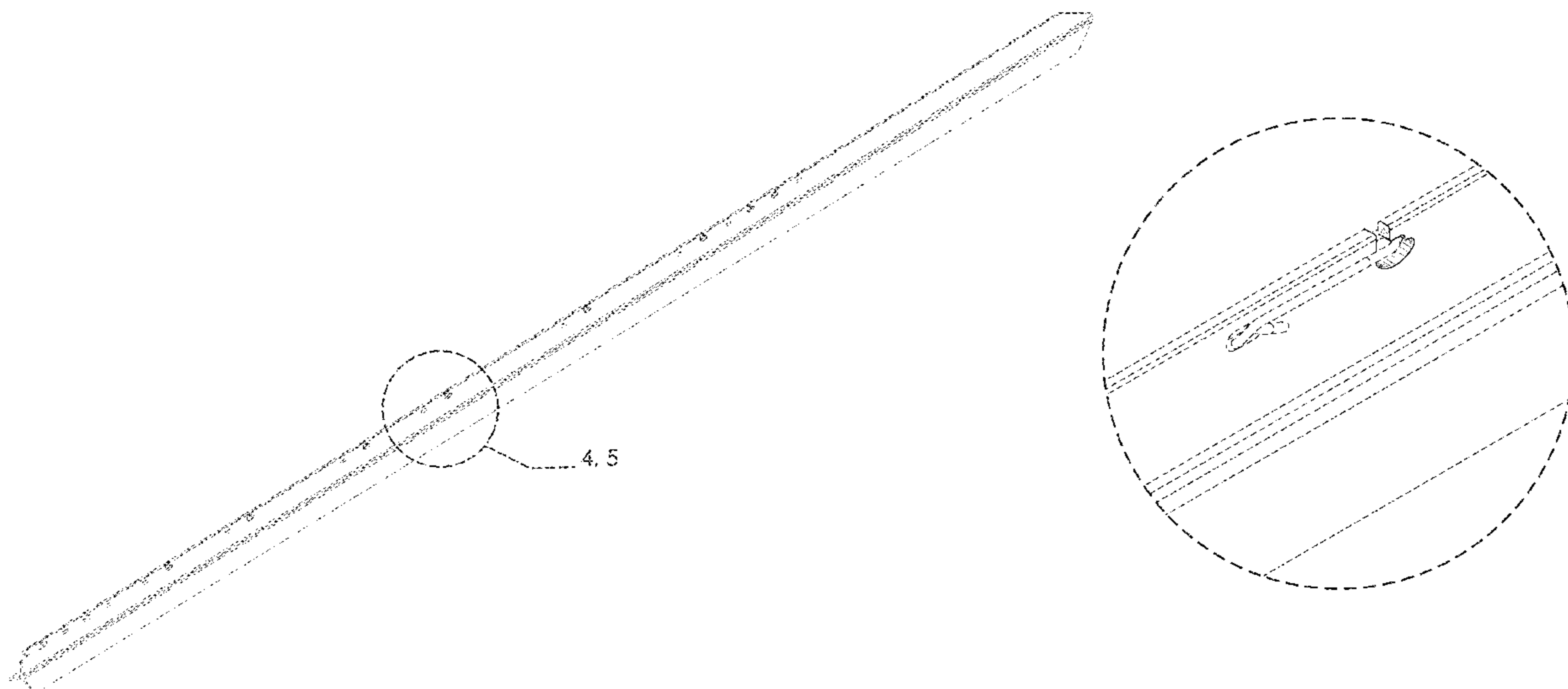
(57) **CLAIM**

I claim the ornamental design for a post, as shown and described.

DESCRIPTION

FIG. 1 is a perspective view of a post showing my new design.
FIG. 2 is a front view of the post shown in FIG. 1.
FIG. 3 is a top view of the post shown in FIG. 1.
FIG. 4 is a perspective view of an intermediate section of the post shown in FIG. 1.
FIG. 5 is a view similar to FIG. 4 showing the post in use with a clip mounted thereto.
FIG. 6 is a front view of the intermediate section of the post as shown in FIG. 2; and,
FIG. 7 is a right end view of the post shown in FIG. 1.
The broken lines shown in FIGS. 1-7 illustrate portions of the post that form no part of the claimed design.

1 Claim, 5 Drawing Sheets



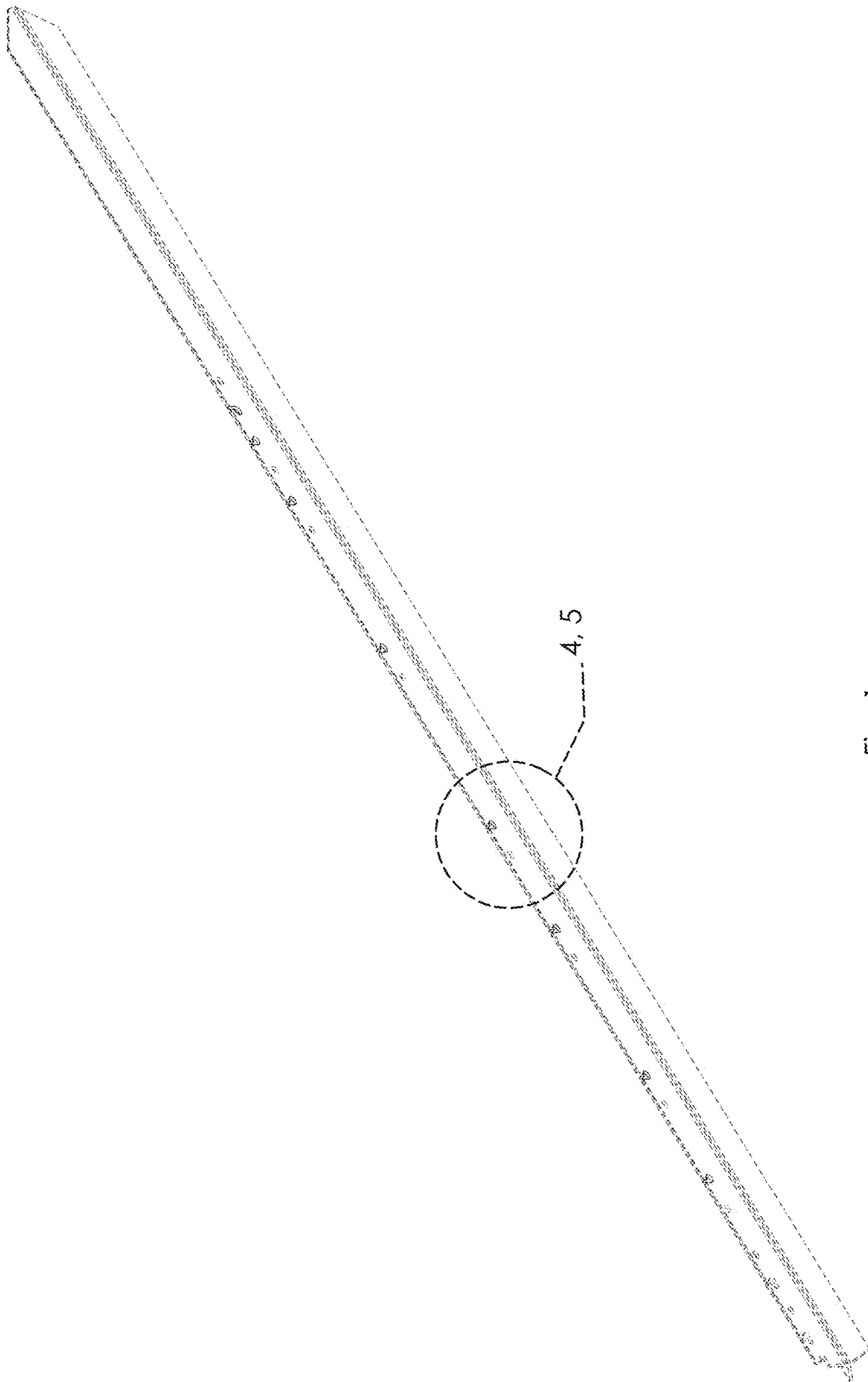


Fig. 1

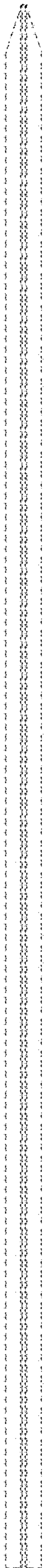


Fig. 3

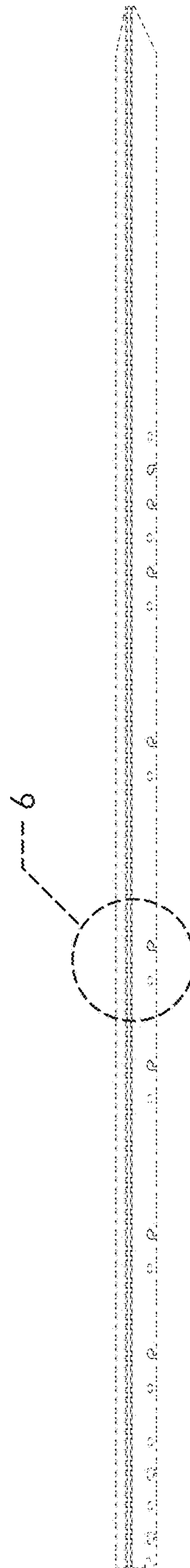


Fig. 2

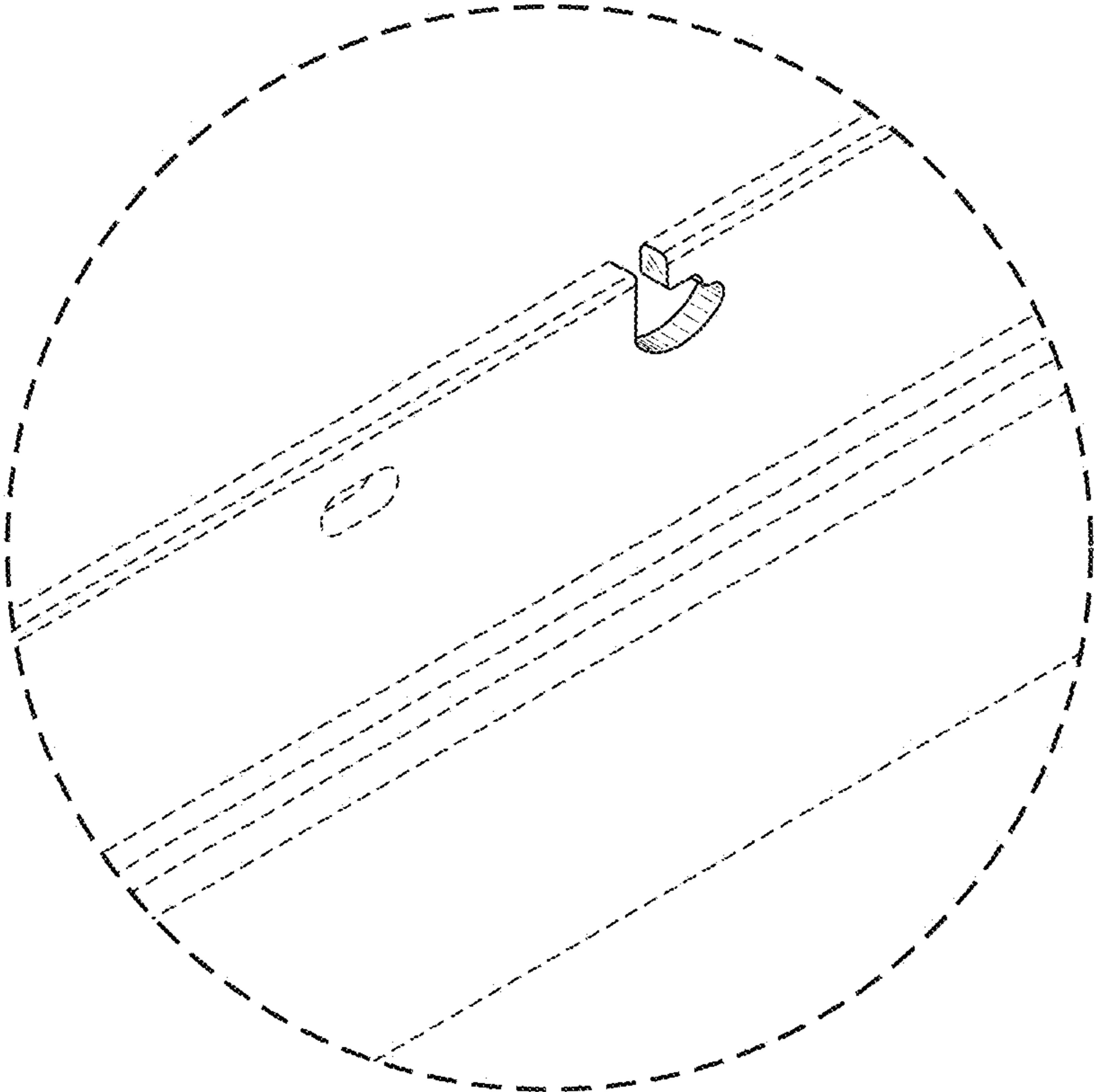


Fig. 4

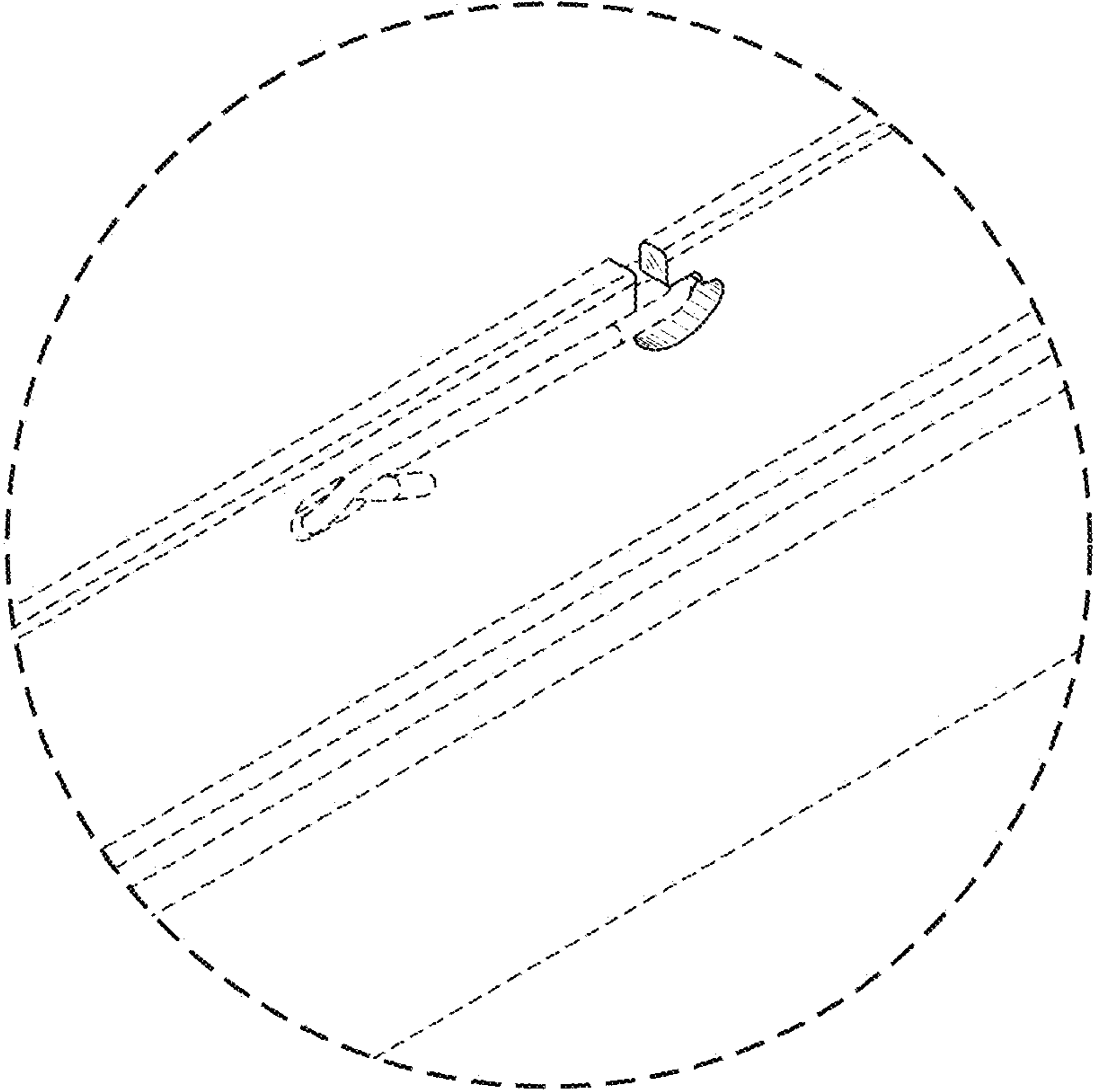


Fig. 5

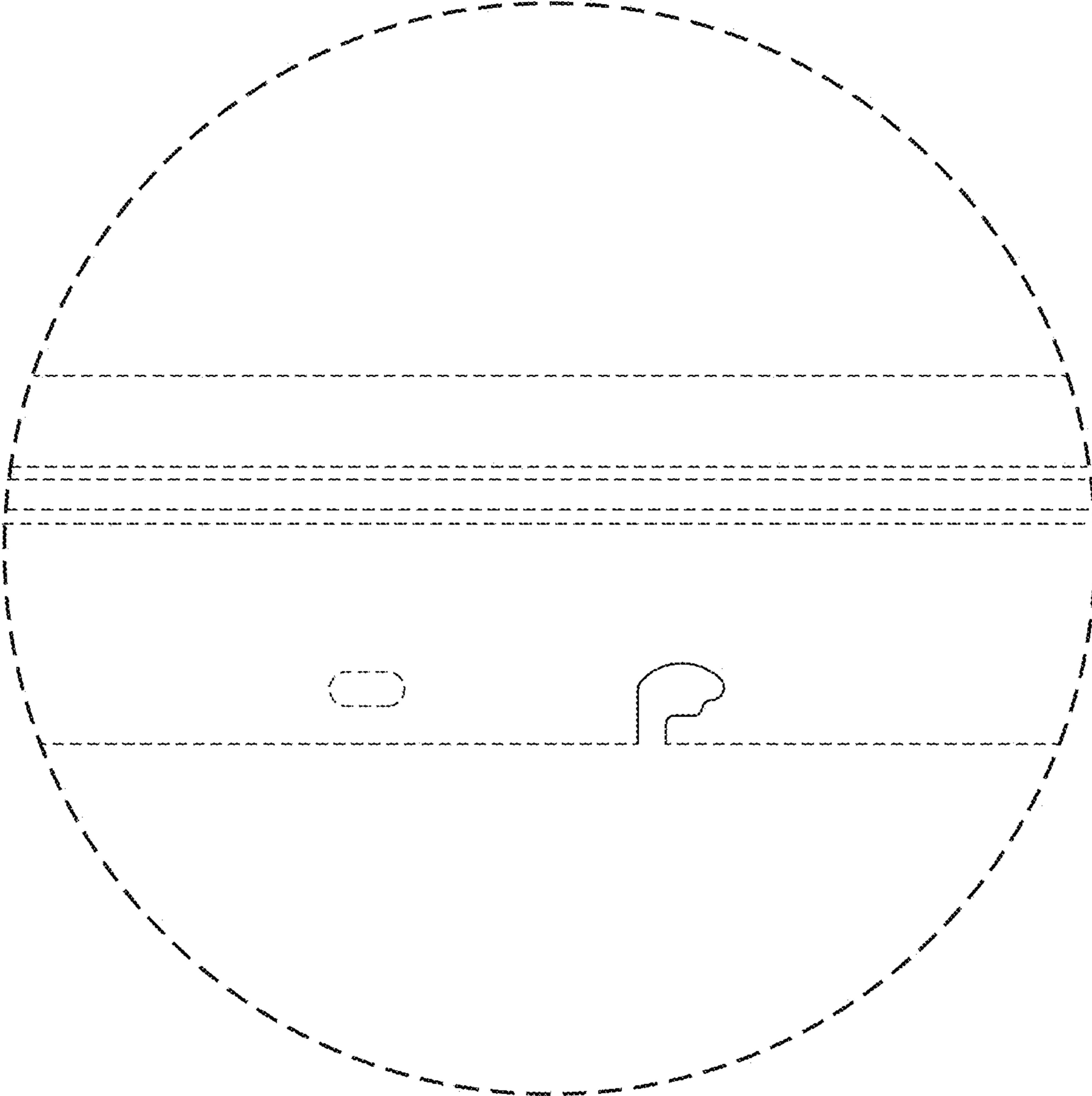


Fig. 6

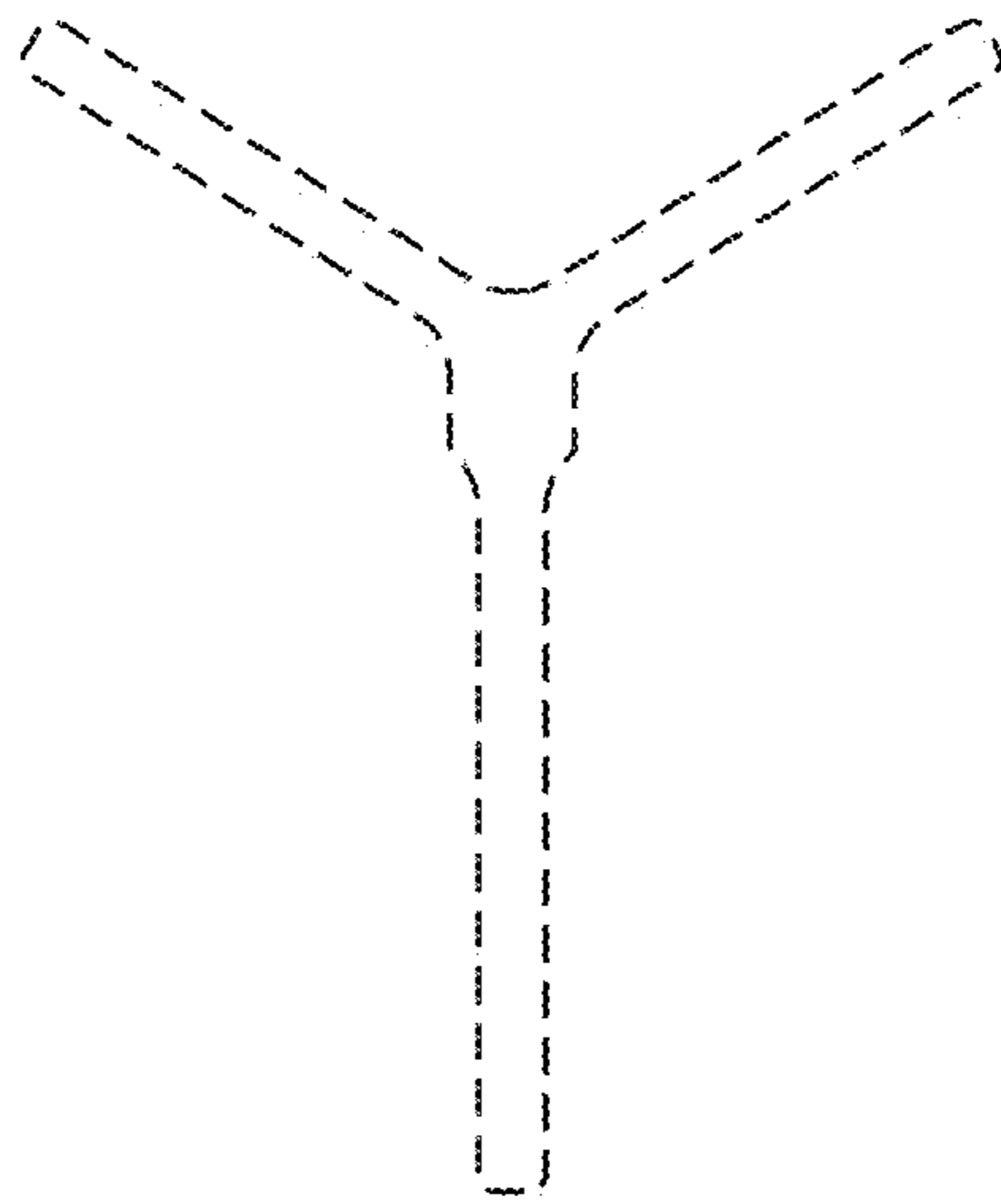


Fig. 7