



US00D885611S

(12) **United States Design Patent**
Marshall

(10) **Patent No.:** **US D885,611 S**

(45) **Date of Patent:** **** May 26, 2020**

(54) **WINDOW BOTTOM STILE EXTRUSION**

(71) Applicant: **Chelsea Building Products, Inc.**,
Oakmont, PA (US)

(72) Inventor: **Philip Marshall**, Pittsburgh, PA (US)

(73) Assignee: **Chelsea Building Products, Inc.**,
Oakmont, PA (US)

(**) Term: **15 Years**

(21) Appl. No.: **29/678,428**

(22) Filed: **Jan. 29, 2019**

(51) **LOC (12) Cl.** **25-01**

(52) **U.S. Cl.**
USPC **D25/124**

(58) **Field of Classification Search**
USPC D25/61, 119–125, 199
CPC E06B 1/04; E06B 1/12; E06B 1/26; E06B
1/28; E06B 1/30; E06B 1/34; E06B
1/342; E06B 1/36; E06B 1/366; E06B
1/62; E06B 1/64; E06B 1/702; E06B
3/06; E06B 3/20; E06B 3/205; E06B
3/22; E06B 3/44; E06B 5/003; E06B 5/12
See application file for complete search history.

(56) **References Cited**

U.S. PATENT DOCUMENTS

D335,712 S *	5/1993	Cole	D25/124
D461,915 S *	8/2002	Ballard	D25/124
D557,823 S *	12/2007	Willman	D25/124
D557,824 S *	12/2007	Willman	D25/124
D572,378 S *	7/2008	Morton	D25/124
D576,297 S *	9/2008	Morton	D25/124
D576,298 S *	9/2008	Morton	D25/124
D583,072 S *	12/2008	Campbell	D25/124
D583,080 S *	12/2008	Campbell	D25/124
D590,959 S *	4/2009	Franson	D25/124
D592,764 S *	5/2009	Campbell	D25/124
D593,686 S *	6/2009	Campbell	D25/124

D593,687 S *	6/2009	Campbell	D25/124
D597,220 S *	7/2009	Campbell	D25/124
D651,725 S *	1/2012	Wickland	D25/124
D693,489 S *	11/2013	Wickland	D25/124
D736,957 S *	8/2015	Chaney	D25/124
D759,845 S *	6/2016	Marshall	D25/124
D759,846 S *	6/2016	Marshall	D25/124
D759,848 S *	6/2016	Marshall	D25/124
D759,849 S *	6/2016	Marshall	D25/124
D759,850 S *	6/2016	Marshall	D25/124

(Continued)

Primary Examiner — Llorelys Martinez

(74) *Attorney, Agent, or Firm* — Vorys, Sater, Seymour
and Pease LLP

(57) **CLAIM**

The ornamental design for a window bottom stile extrusion,
as shown and described.

DESCRIPTION

FIG. 1 is an isometric view of a window bottom stile
extrusion, according to the present disclosure.

FIG. 2 is a top view of the window bottom stile extrusion of
FIG. 1.

FIG. 3 is a bottom view of the window bottom stile extrusion
of FIG. 1.

FIG. 4 is a front view of the window bottom stile extrusion
of FIG. 1.

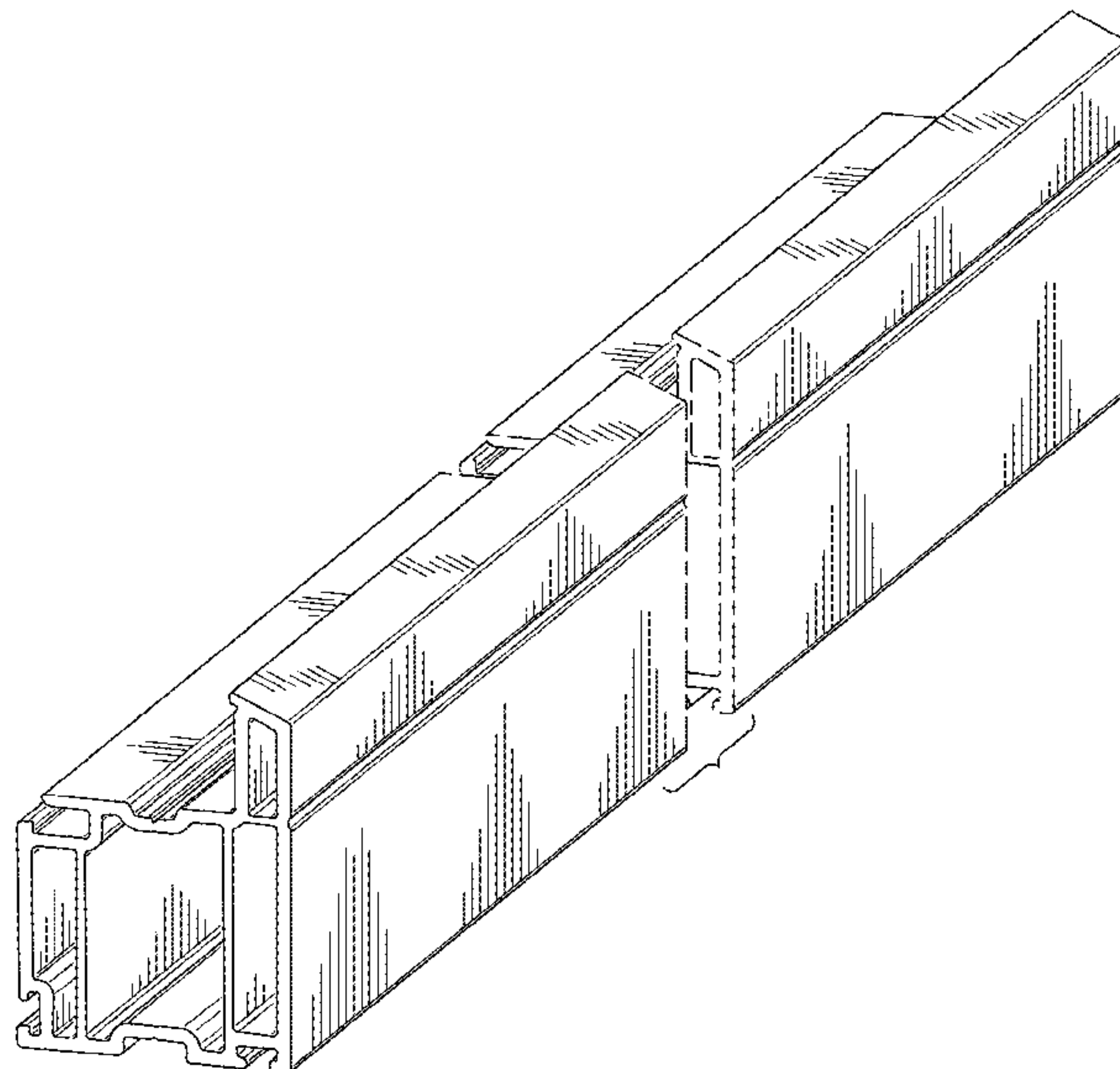
FIG. 5 is a rear view of the window bottom stile extrusion
of FIG. 1.

FIG. 6 is a left side view of the window bottom stile
extrusion of FIG. 1; and,

FIG. 7 is a right side view of the window bottom stile
extrusion of FIG. 1.

The window bottom stile extrusion is shown with two
parallel dash-dot break lines that represent the bounds of the
claim. The appearance of any portion of the window bottom
stile extrusion between the break lines forms no part of the
claimed design.

1 Claim, 4 Drawing Sheets



(56)

References Cited

U.S. PATENT DOCUMENTS

D769,467 S	*	10/2016	Roberts	D25/124
D795,458 S	*	8/2017	Marshall	D25/125
D795,462 S	*	8/2017	Marshall	D25/125
D795,463 S	*	8/2017	Marshall	D25/125
D836,216 S	*	12/2018	Roberts	D25/124

* cited by examiner

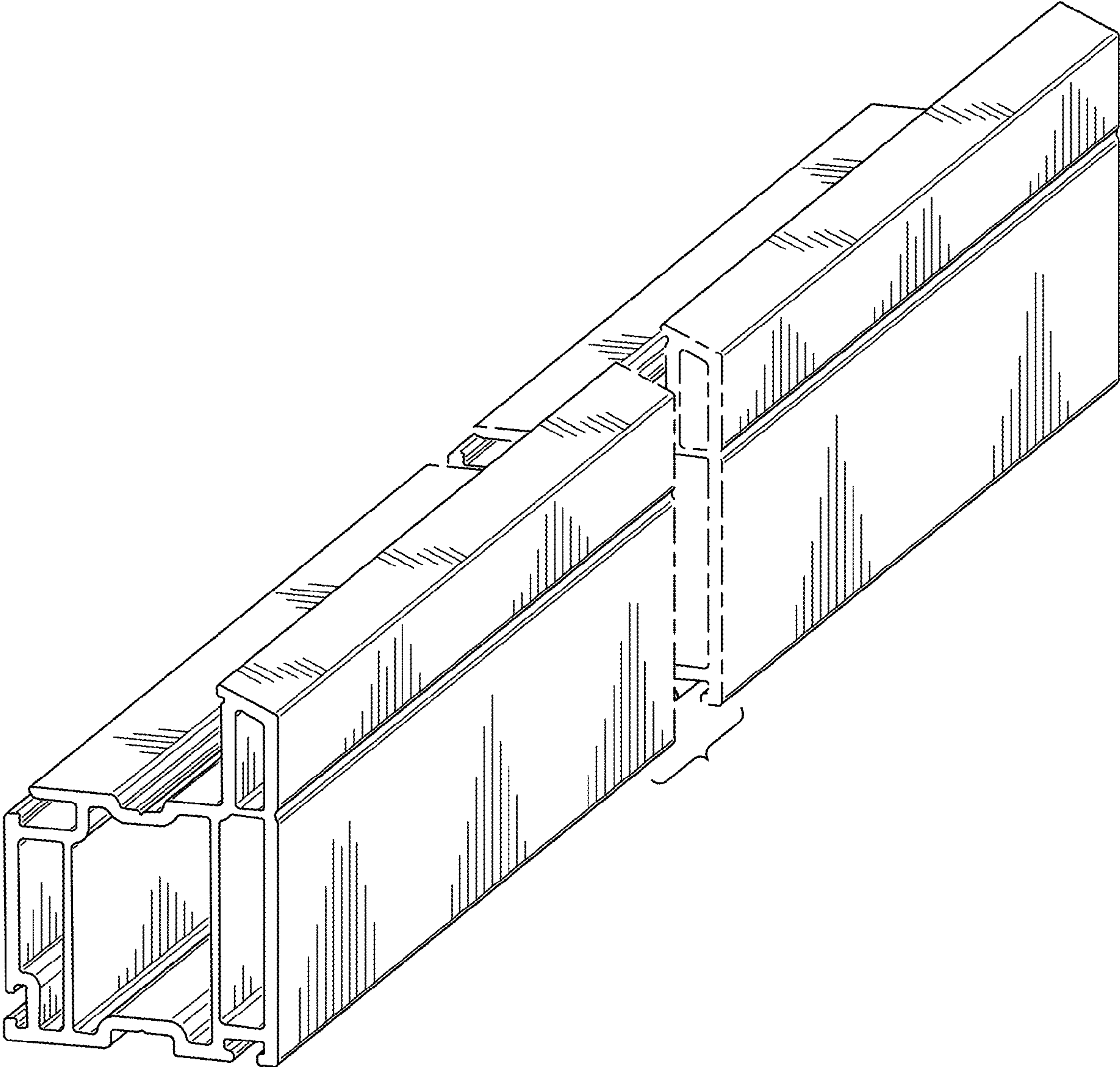


FIG. 1

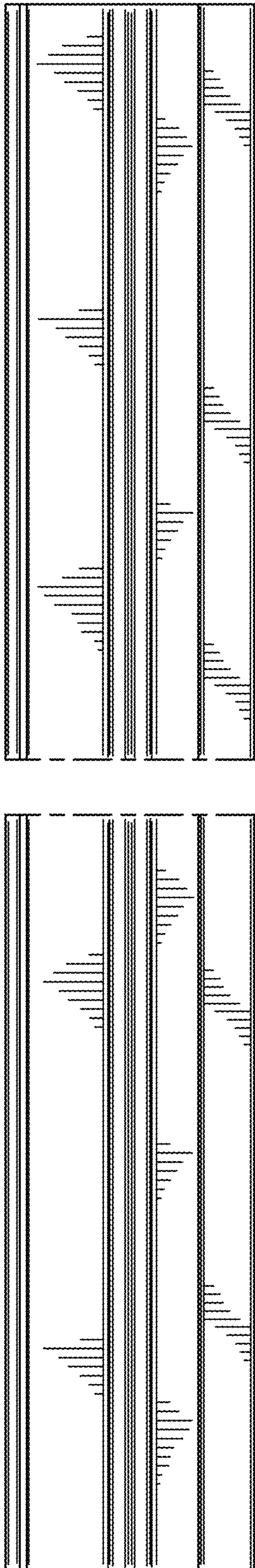


FIG. 2

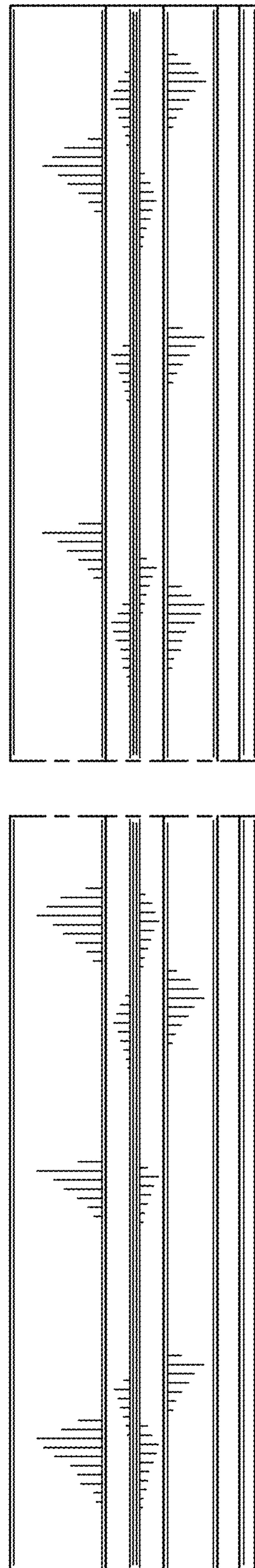


FIG. 3

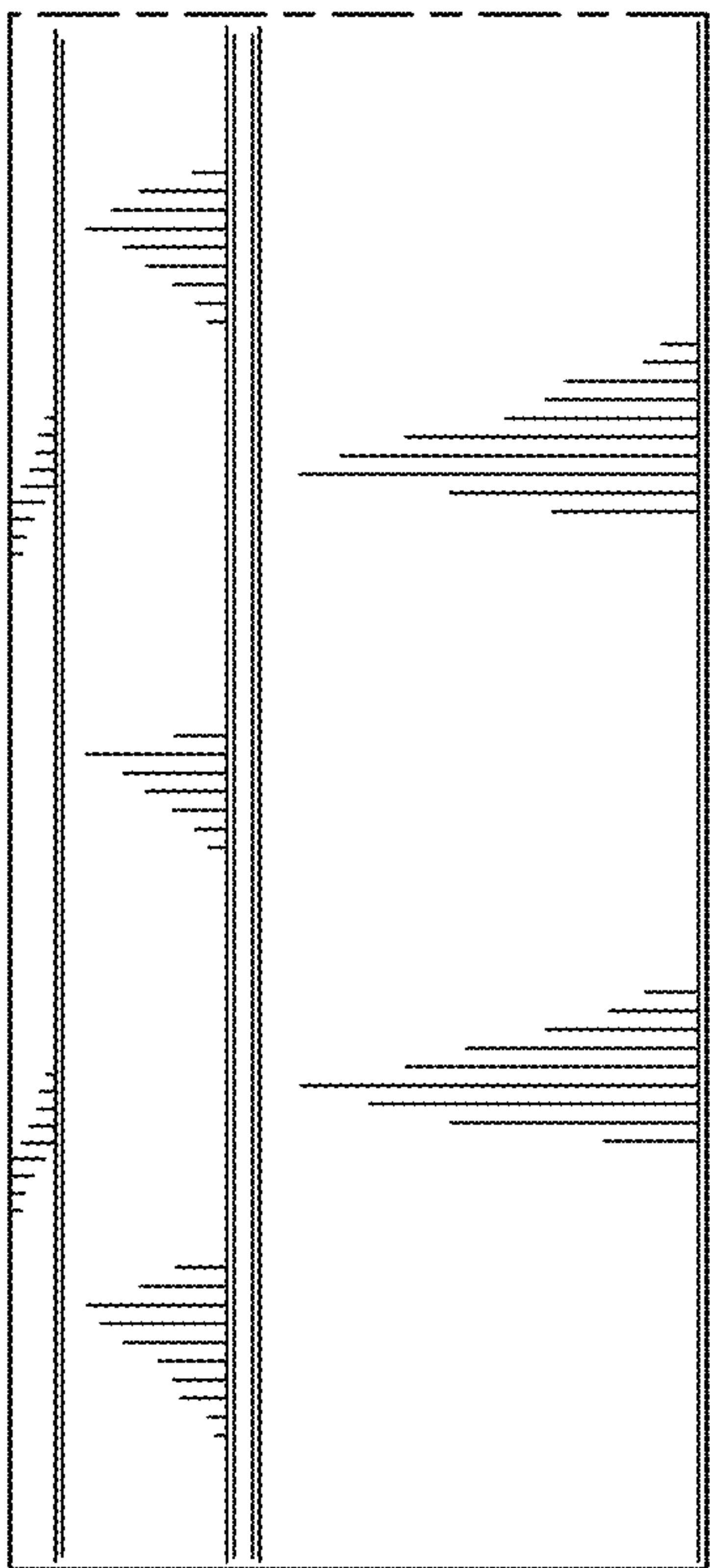
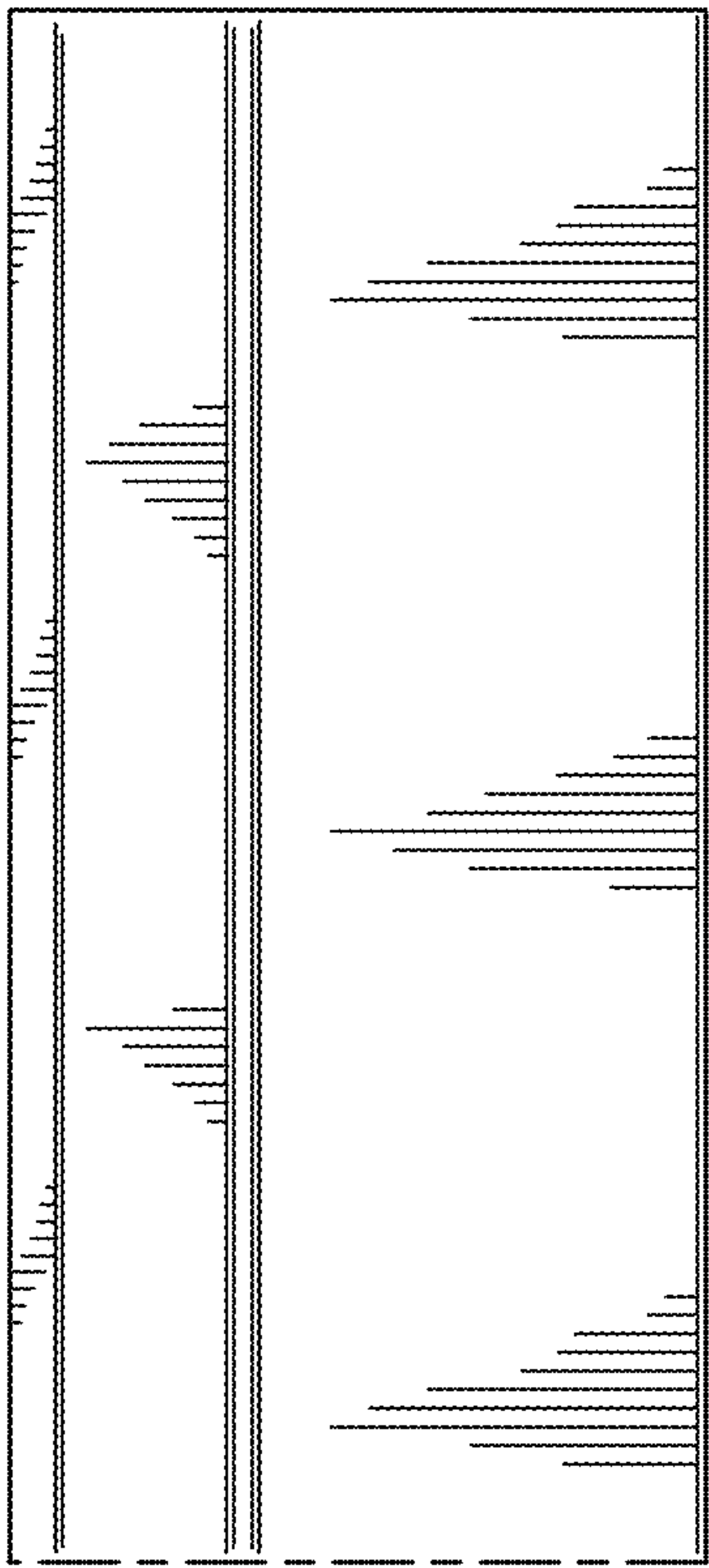


FIG. 4

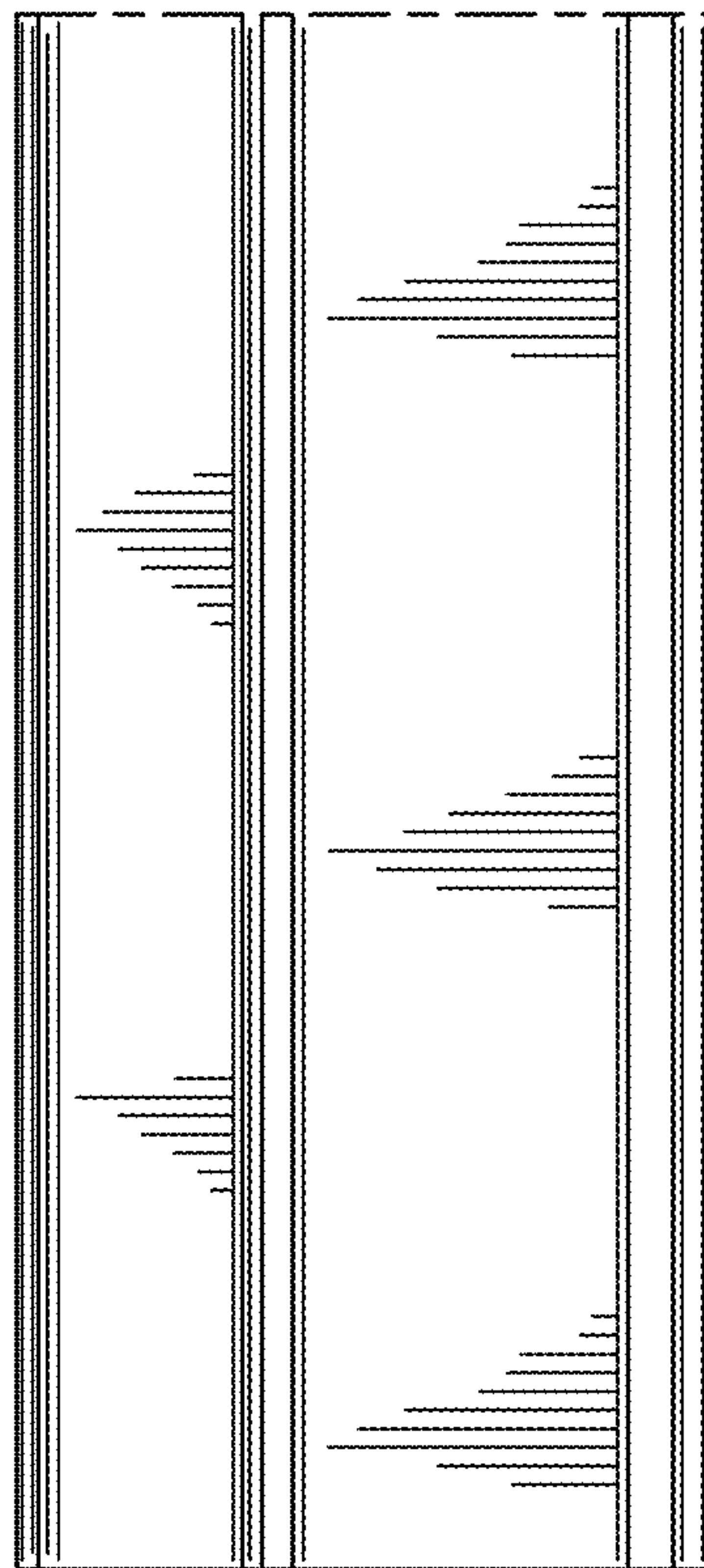
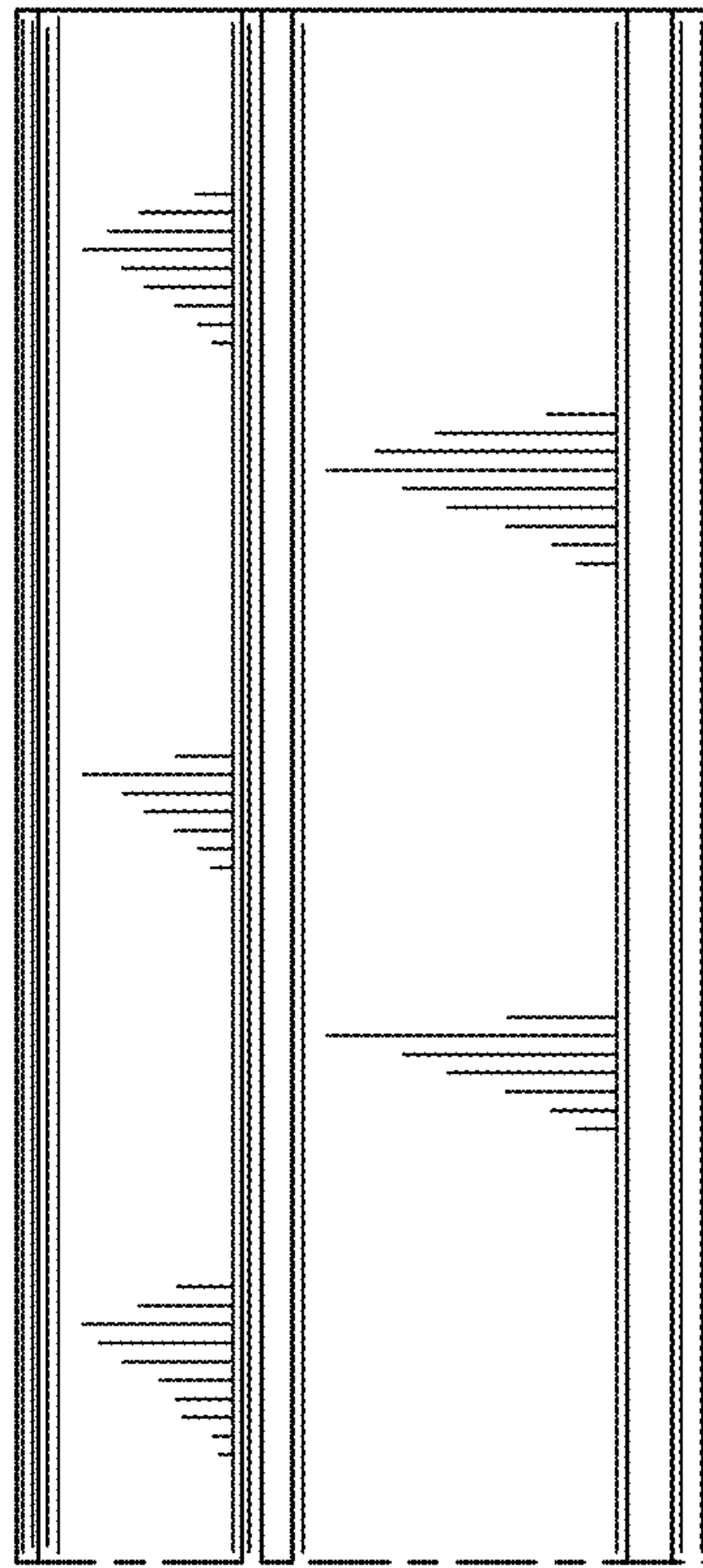


FIG. 5

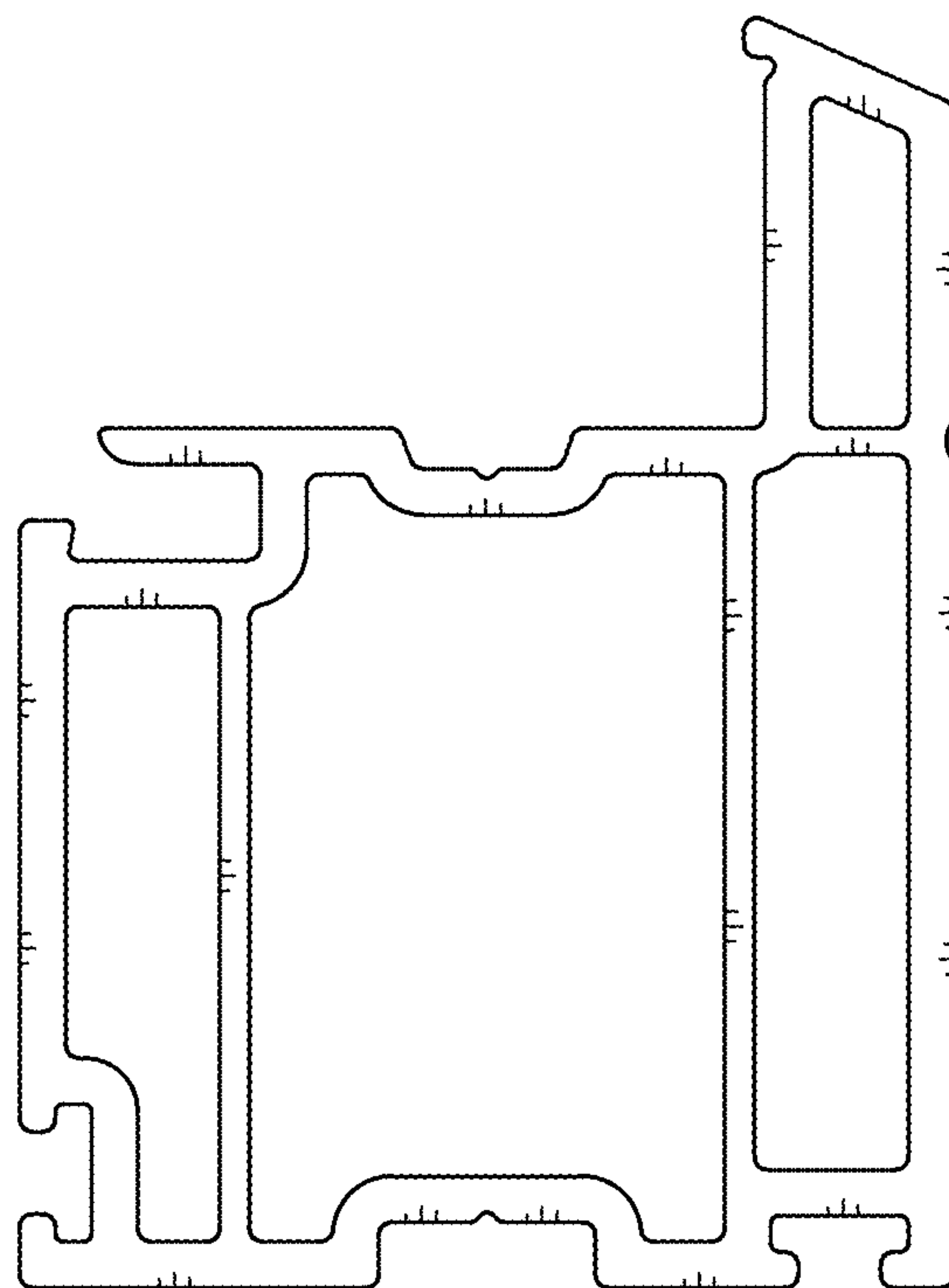


FIG. 6

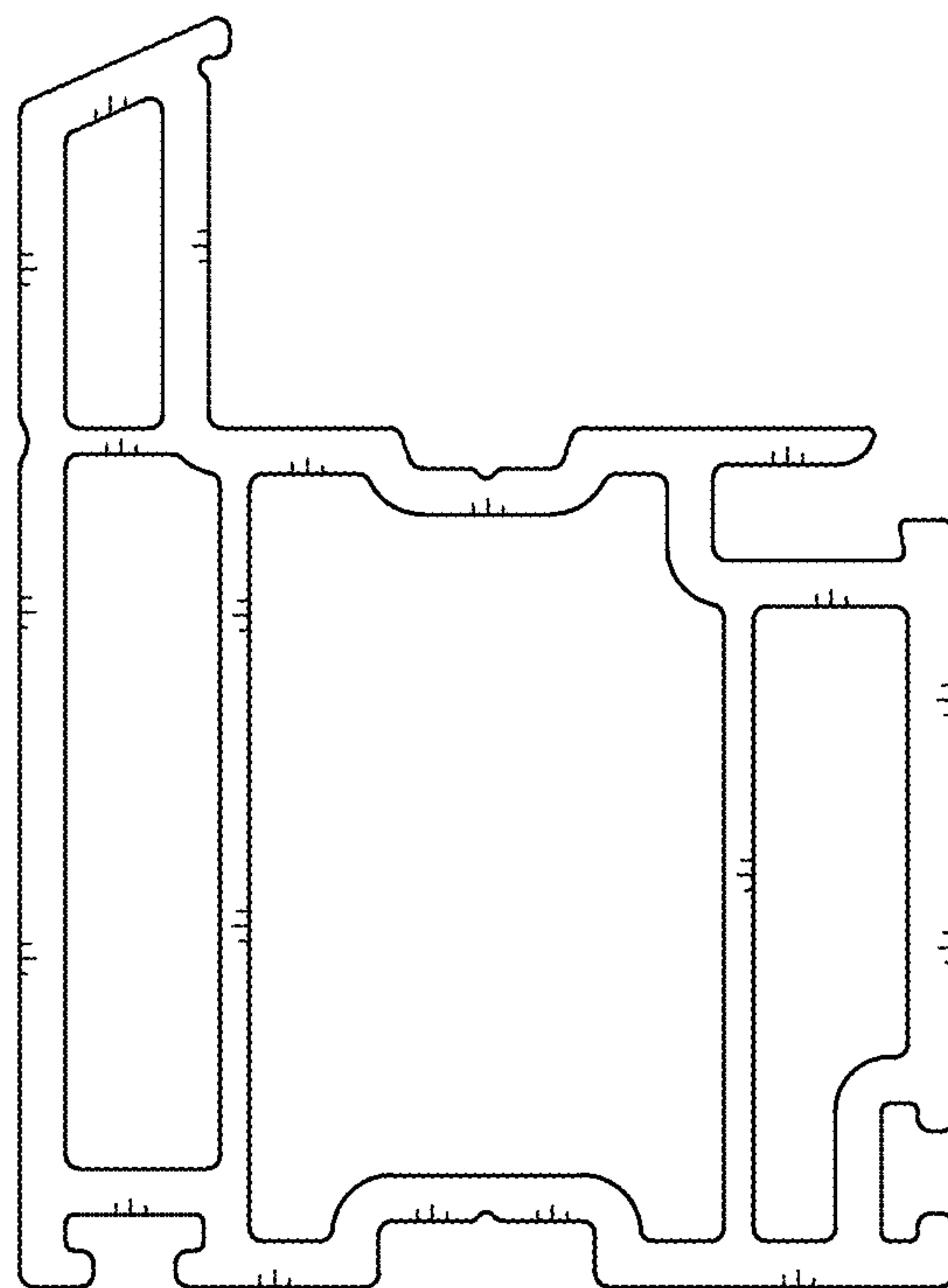


FIG. 7