



US00D885610S

(12) **United States Design Patent**
Marshall

(10) **Patent No.:** **US D885,610 S**

(45) **Date of Patent:** **** May 26, 2020**

(54) **WINDOW TOP RAIL EXTRUSION**

(71) Applicant: **Chelsea Building Products, Inc.**,
Oakmont, PA (US)

(72) Inventor: **Philip Marshall**, Pittsburgh, PA (US)

(73) Assignee: **Chelsea Building Products, Inc.**,
Pittsburgh, PA (US)

(**) Term: **15 Years**

(21) Appl. No.: **29/678,418**

(22) Filed: **Jan. 29, 2019**

(51) **LOC (12) Cl.** **25-01**

(52) **U.S. Cl.**
USPC **D25/124**

(58) **Field of Classification Search**
USPC D25/61, 119–125, 199
CPC E06B 1/04; E06B 1/12; E06B 1/26; E06B
1/28; E06B 1/30; E06B 1/34; E06B
1/342; E06B 1/36; E06B 1/366; E06B
1/62; E06B 1/64; E06B 1/702; E06B
3/06; E06B 3/20; E06B 3/205; E06B
3/22; E06B 3/44; E06B 5/003; E06B 5/12
See application file for complete search history.

(56) **References Cited**

U.S. PATENT DOCUMENTS

D364,471 S	*	11/1995	Goss, Jr.	D25/124
D385,046 S	*	10/1997	Lockbeam	D25/124
D402,050 S	*	12/1998	Leonelli	D25/124
D441,104 S	*	4/2001	Habeck	D25/124
D460,831 S	*	7/2002	Ballard	D25/124
D468,030 S	*	12/2002	Chaney	D25/124
D557,825 S	*	12/2007	Willman	D25/124
D576,302 S	*	9/2008	Morton	D25/124
D576,303 S	*	9/2008	Morton	D25/124
D583,078 S	*	12/2008	Campbell	D25/124
D583,079 S	*	12/2008	Campbell	D25/124

D692,586 S	*	10/2013	Fannan	D25/124
D692,588 S	*	10/2013	Wickland	D25/124
D692,589 S	*	10/2013	Wickland	D25/124
D740,445 S	*	10/2015	Chaney	D25/124
D759,844 S	*	6/2016	Marshall	D25/124
D759,852 S	*	6/2016	Marshall	D25/124
D759,853 S	*	6/2016	Marshall	D25/124
D795,457 S	*	8/2017	Marshall	D25/125
D795,461 S	*	8/2017	Marshall	D25/125

* cited by examiner

Primary Examiner — Llorelys Martinez

(74) *Attorney, Agent, or Firm* — Vorys, Sater, Seymour
and Pease LLP

(57) **CLAIM**

The ornamental design for a window top rail extrusion, as shown and described.

DESCRIPTION

FIG. 1 is an isometric view of a window top rail extrusion, according to the present disclosure.

FIG. 2 is a top view of the window top rail extrusion of FIG. 1.

FIG. 3 is a bottom view of the window top rail extrusion of FIG. 1.

FIG. 4 is a front view of the window top rail extrusion of FIG. 1.

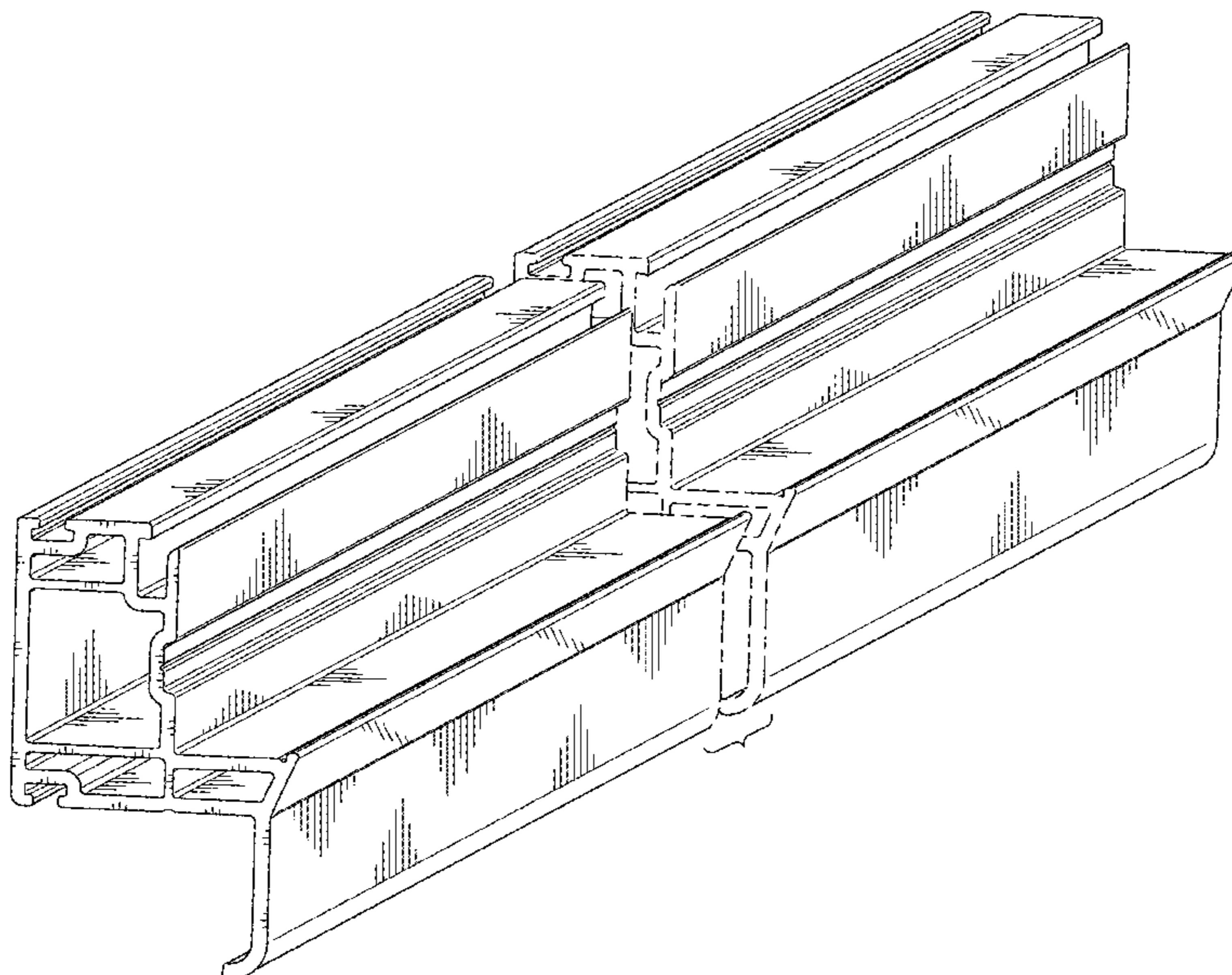
FIG. 5 is a rear view of the window top rail extrusion of FIG. 1.

FIG. 6 is a left side view of the window top rail extrusion of FIG. 1; and,

FIG. 7 is a right side view of the window top rail extrusion of FIG. 1.

The window top rail extrusion is shown with two parallel dash-dot break lines that represent the bounds of the claim. The appearance of any portion of the article between the break lines forms no part of the claimed design.

1 Claim, 4 Drawing Sheets



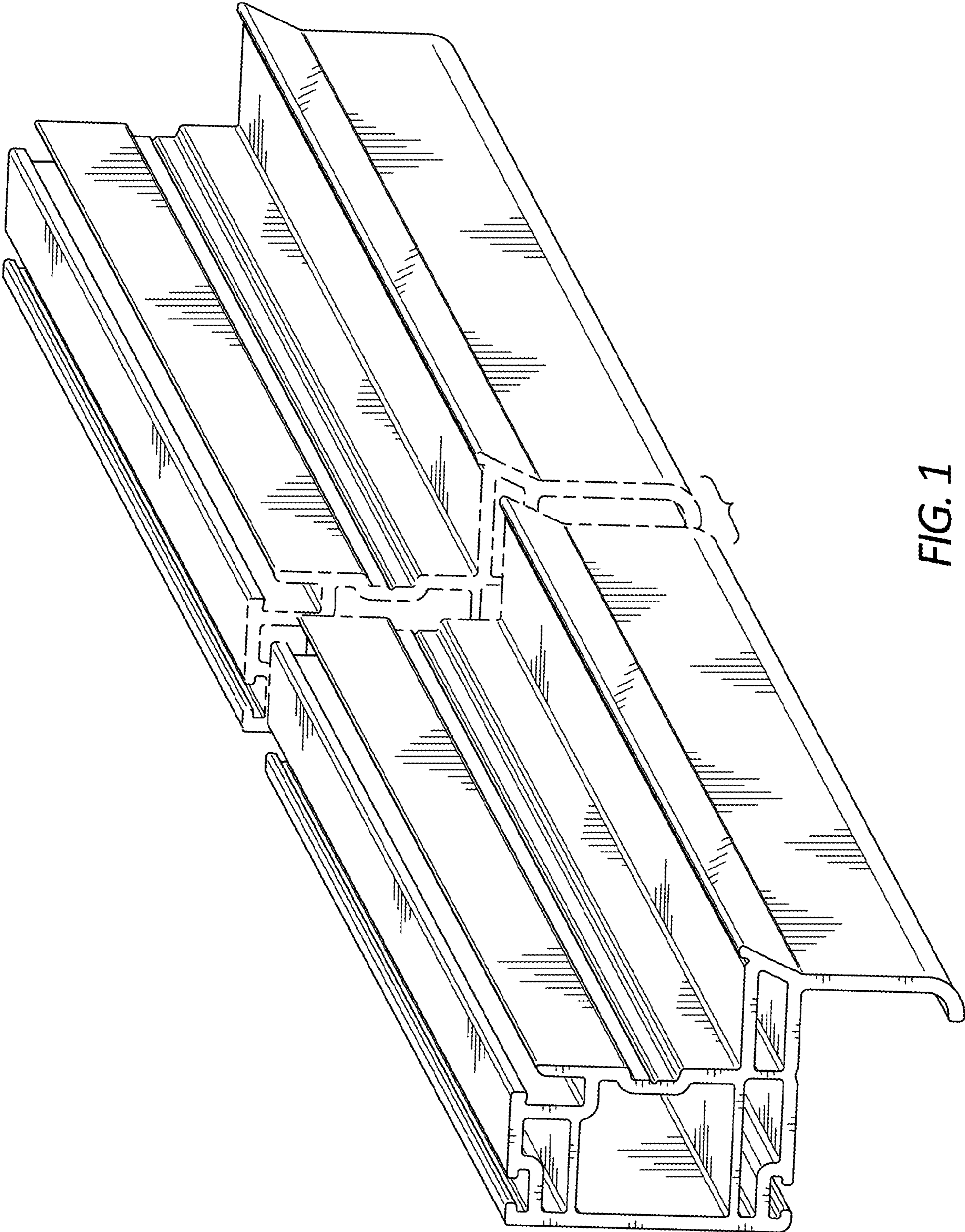


FIG. 1

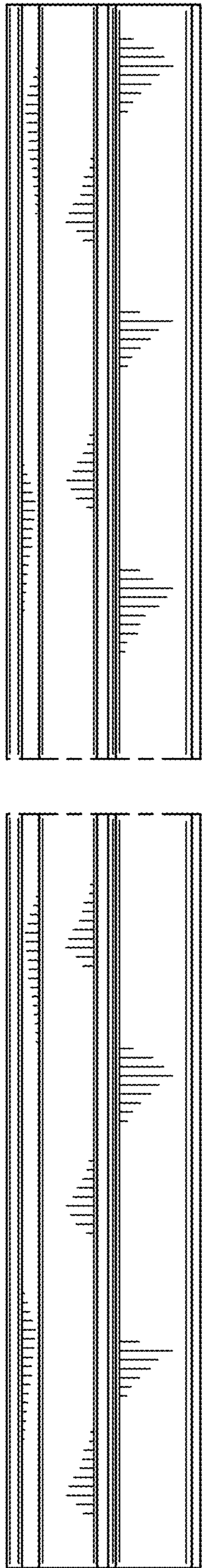


FIG. 2

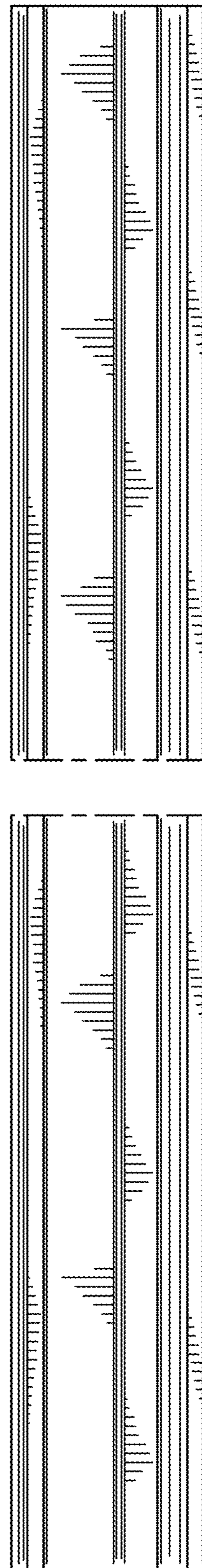


FIG. 3

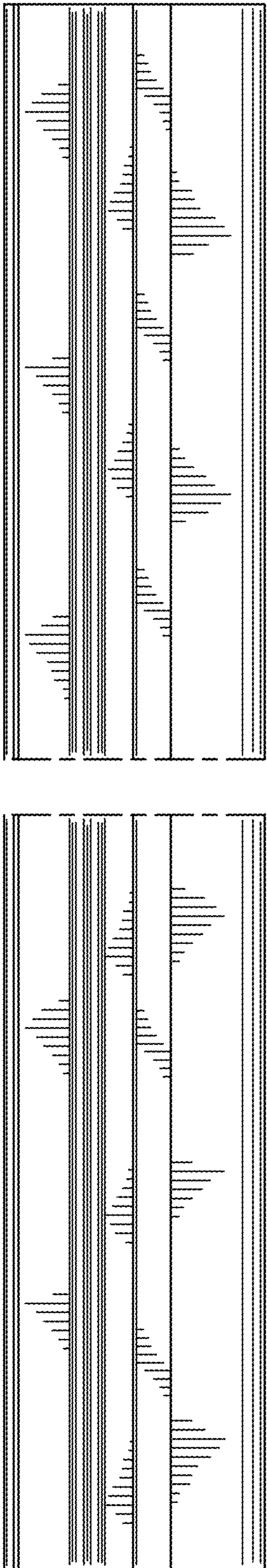


FIG. 4

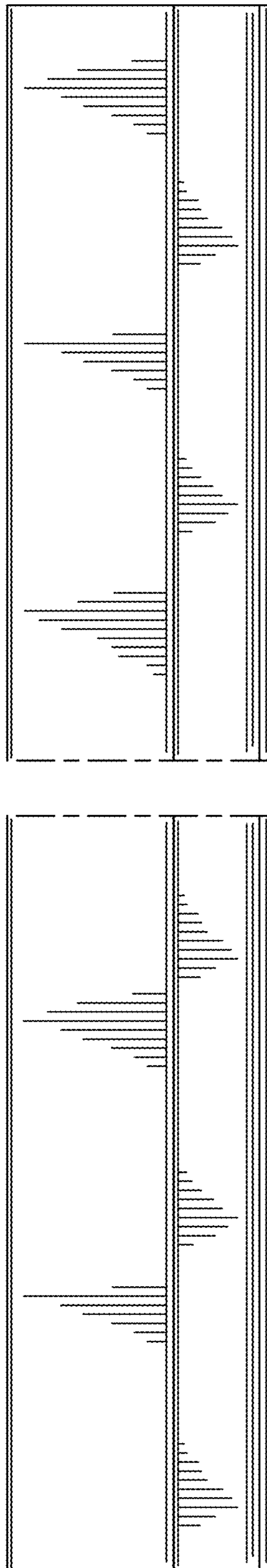


FIG. 5

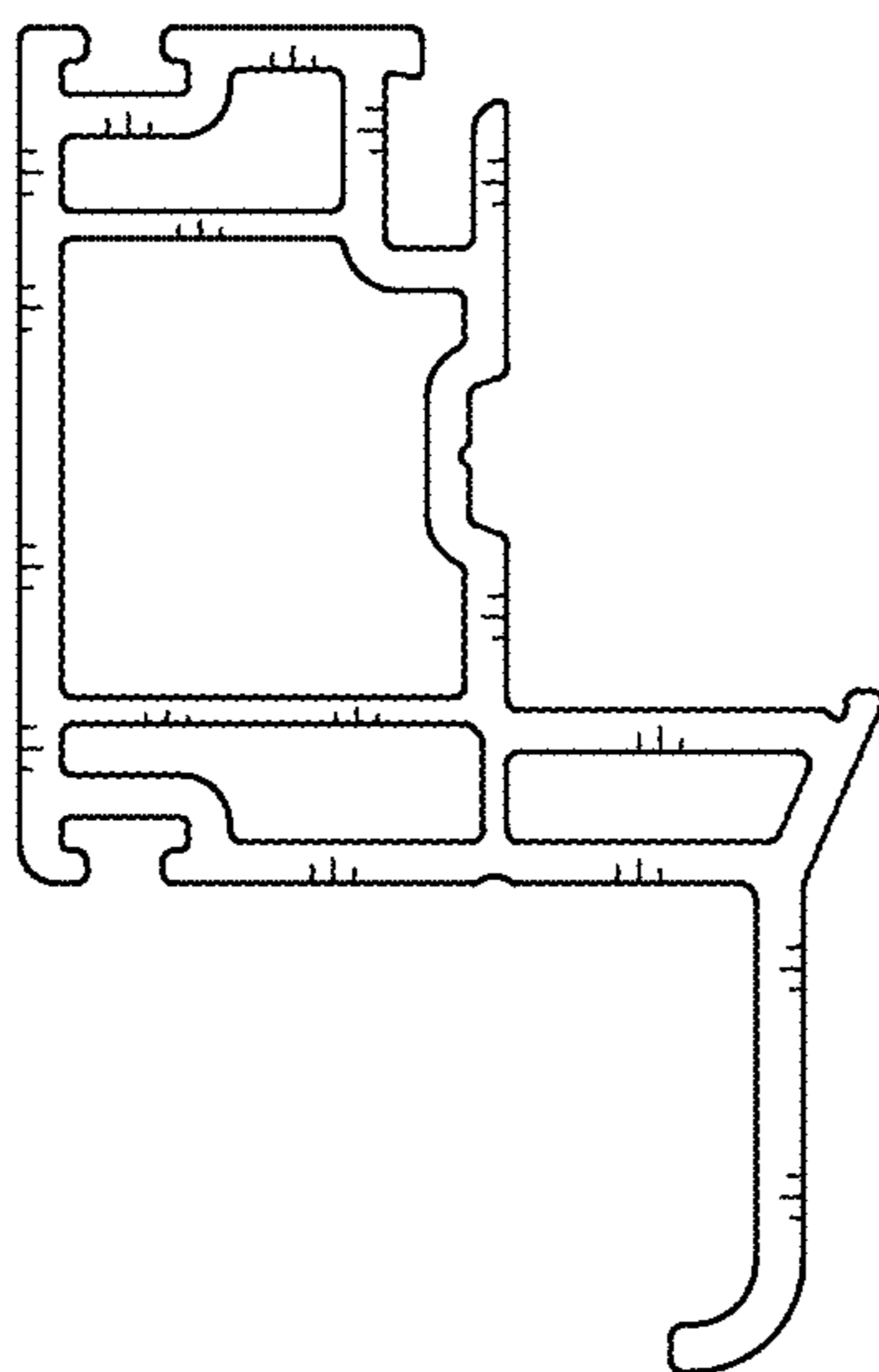


FIG. 6

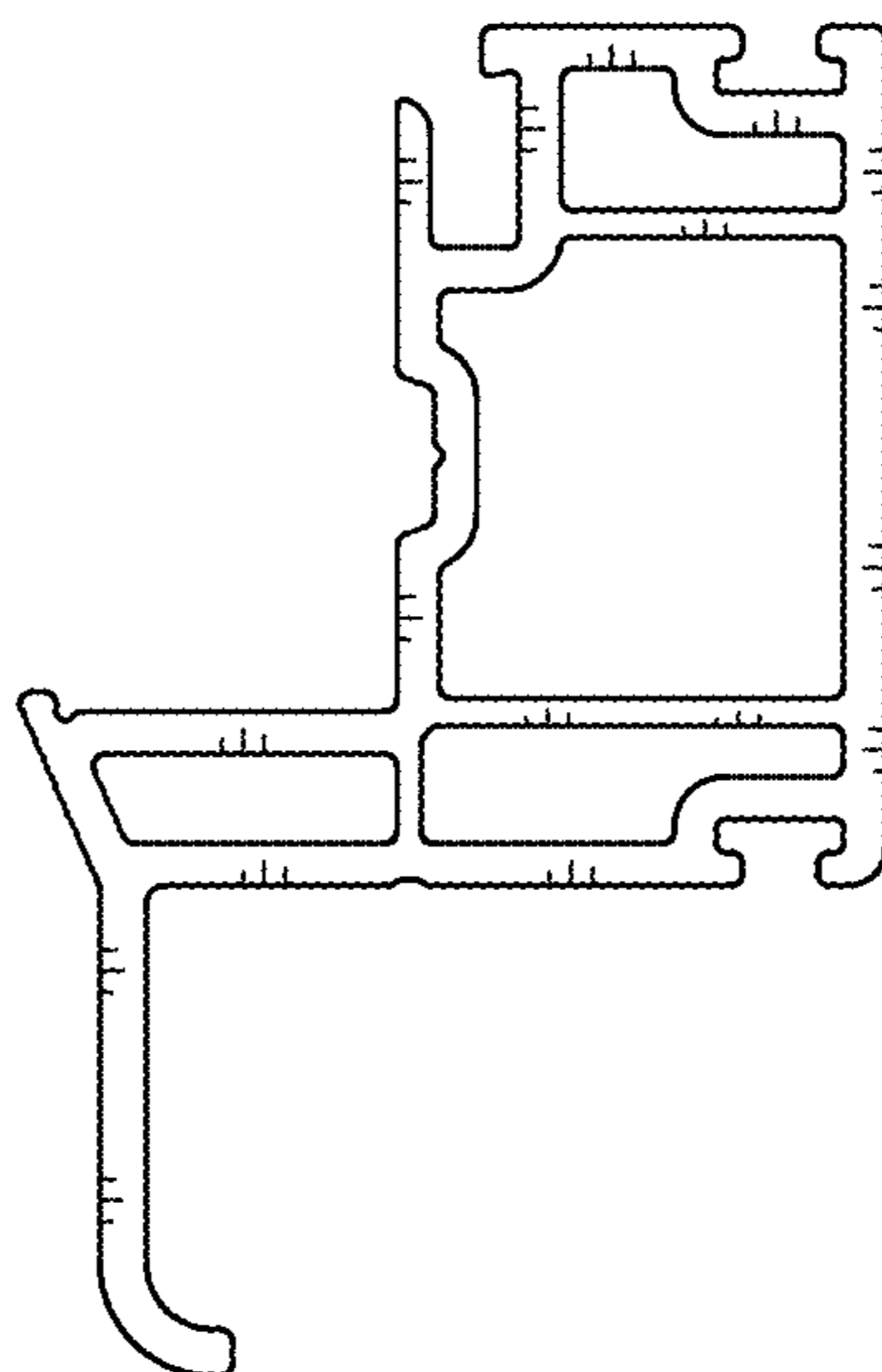


FIG. 7