



US00D885609S

(12) **United States Design Patent**
Seiler

(10) **Patent No.:** **US D885,609 S**

(45) **Date of Patent:** **** May 26, 2020**

- (54) **CONNECTOR FOR SHEET PILE**
- (71) Applicant: **LockIt! GmbH**, Munich (DE)
- (72) Inventor: **Hannes Seiler**, Munich (DE)
- (73) Assignee: **LockIt! GmbH**, Munich (DE)
- (**) Term: **15 Years**

(21) Appl. No.: **29/645,509**

(22) Filed: **Apr. 26, 2018**

Related U.S. Application Data

(62) Division of application No. 35/502,647, filed on Jul. 27, 2016 (U.S. filing date under 35 U.S.C. 384), and having an international filing date of Jul. 27, 2016, now Pat. No. Des. 847,382.

(51) **LOC (12) Cl.** **25-01**

(52) **U.S. Cl.**
USPC **D25/121**
CPC **F16B 2/20** (2013.01)

(58) **Field of Classification Search**
USPC D8/354, 356, 371, 394-370;
D3/214-217, 221, 224, 226, 231, 247;
D25/119-135

CPC F16B 2/20; F16B 2/245; B42F 1/00; B42F
1/003; B42F 1/006

See application file for complete search history.

(56) **References Cited**

U.S. PATENT DOCUMENTS

- 2,135,954 A * 11/1938 Whisler E01B 9/486
238/349
- 2,954,169 A * 9/1960 Rigby E01B 9/486
238/349

- 4,511,081 A * 4/1985 Wilson E01B 3/16
238/321
- 4,583,685 A * 4/1986 Robb E01B 3/16
238/264
- 4,715,534 A * 12/1987 Fee E01B 9/303
238/338
- D366,410 S * 1/1996 Schlabach D25/121
- 5,678,762 A * 10/1997 Wood E01B 9/303
238/351
- 5,718,376 A * 2/1998 Cox E01B 9/303
238/349
- 6,308,897 B1 * 10/2001 Remington E01B 9/60
238/292
- D804,296 S * 12/2017 Lee D8/394
- D812,461 S * 3/2018 Lee D8/394
- D847,382 S 4/2019 Seiler

* cited by examiner

Primary Examiner — Richard E Chilcot

(74) *Attorney, Agent, or Firm* — Wolf, Greenfield & Sacks, P.C.

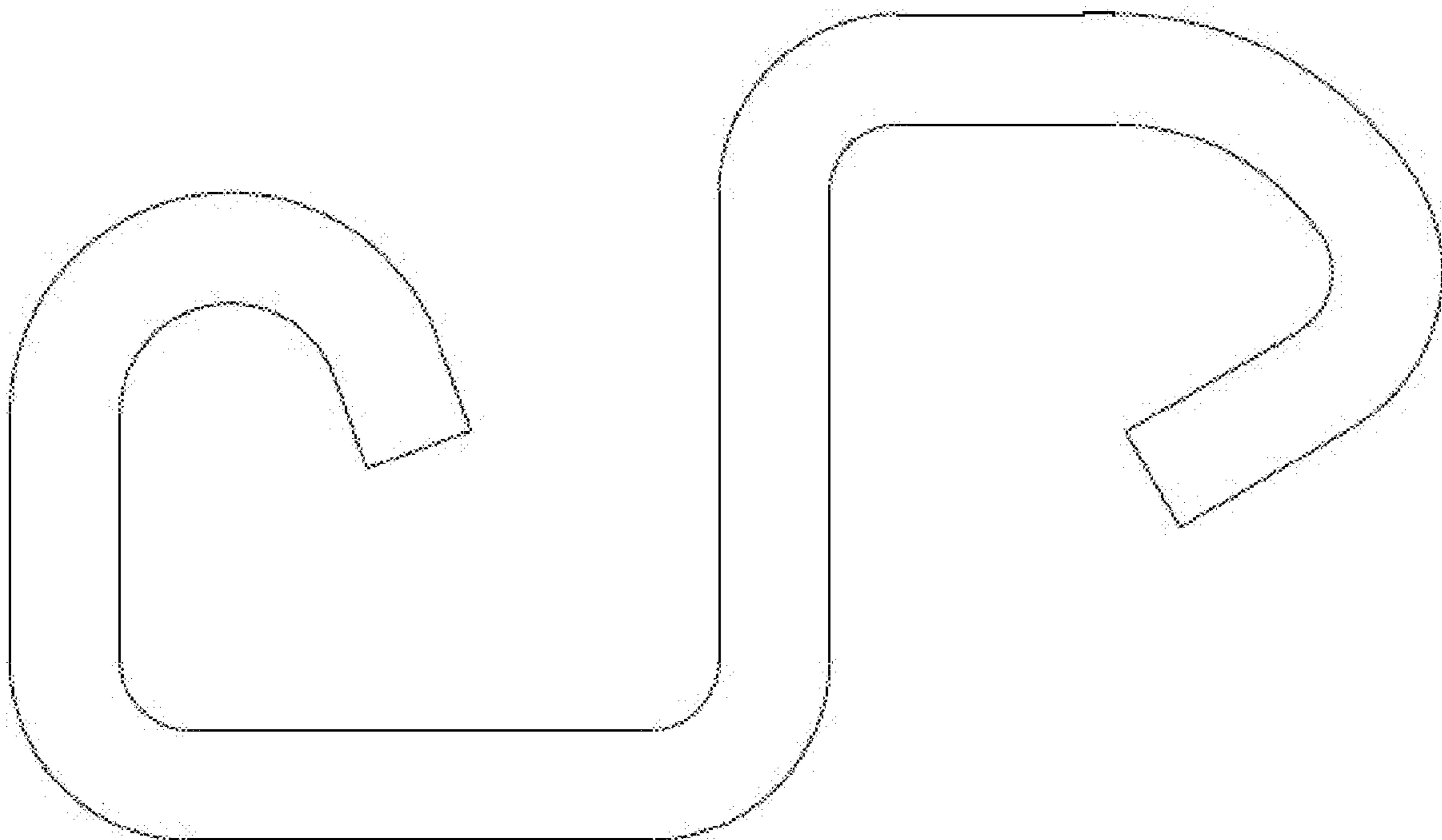
(57) **CLAIM**

The ornamental design for a connector for sheet pile, as shown and described.

DESCRIPTION

FIG. 1 is a front elevation view of a connector for sheet pile according to my new design; and, FIG. 2 is a top, front, right side perspective view thereof. The pair of adjacent broken lines form no part of the claimed design and indicate that the appearance of any portion of the article between the break lines forms no part of the claimed design.

1 Claim, 1 Drawing Sheet



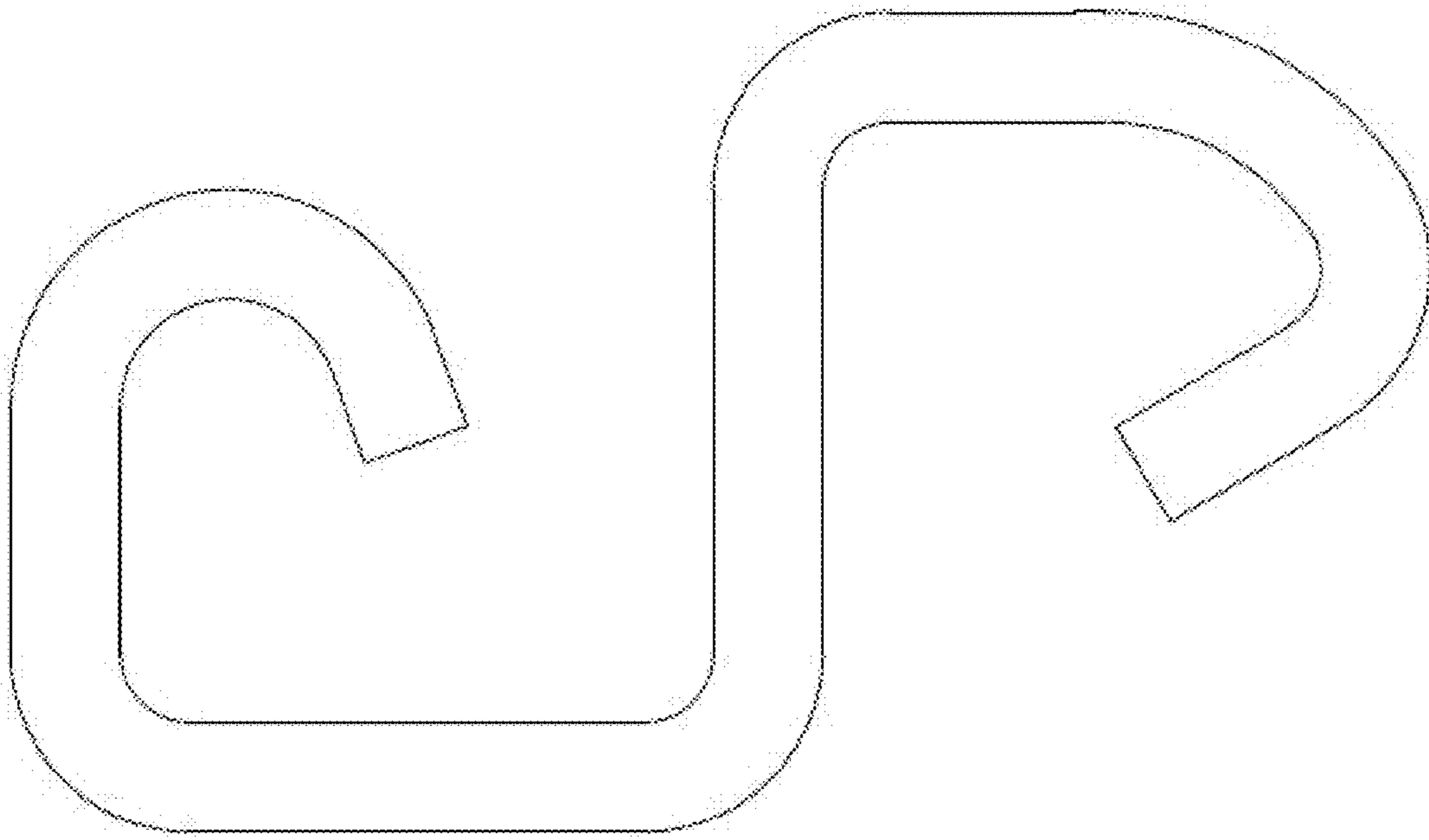


FIG. 1

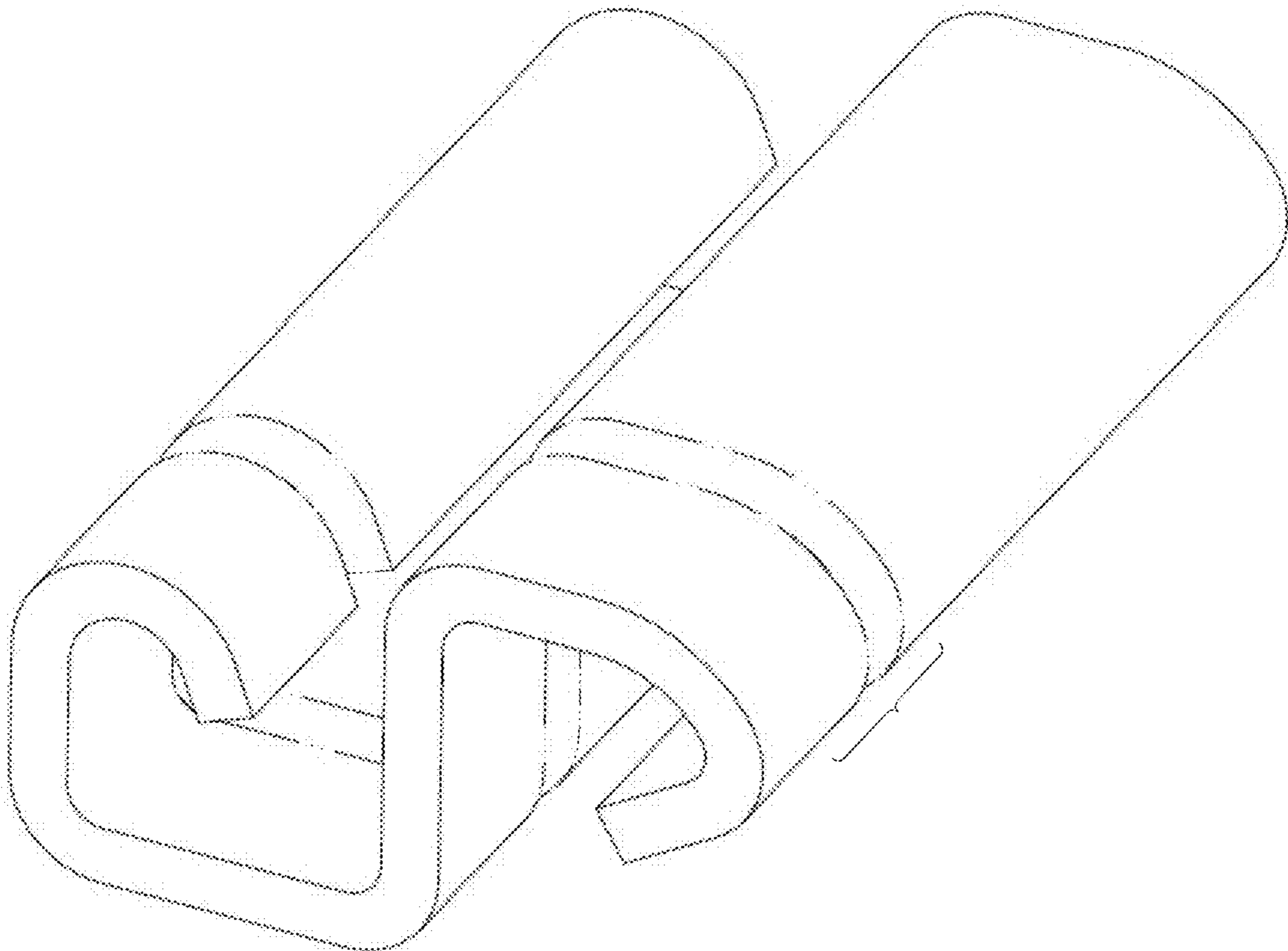


FIG. 2