



US00D885608S

(12) **United States Design Patent**  
**Wang**

(10) **Patent No.:** **US D885,608 S**

(45) **Date of Patent:** **\*\* May 26, 2020**

(54) **CONNECTING SLEEVE FOR EXTENSION LADDER**

(71) Applicant: **NINGBO XINGFU TOOLS CO., LTD.**, Zhejiang (CN)

(72) Inventor: **Wanxing Wang**, Zhejiang (CN)

(73) Assignee: **NINGBO XINGFU TOOLS CO., LTD.**, Zhejiang (CN)

(\*\*) Term: **15 Years**

(21) Appl. No.: **29/684,420**

(22) Filed: **Mar. 21, 2019**

(51) **LOC (12) Cl.** ..... **25-04**

(52) **U.S. Cl.**  
USPC ..... **D25/68**

(58) **Field of Classification Search**  
USPC ..... D25/62-69; 182/228.6, 228.2, 90, 228.3  
CPC ... E06C 7/48; E06C 7/14; E06C 7/488; E06C 7/143; E06C 1/36; E06C 7/50; E06C 7/086; E06C 7/188; E06C 7/182; E06C 1/12; E06C 1/125; E06C 1/22; E06C 7/083

See application file for complete search history.

(56) **References Cited**

**U.S. PATENT DOCUMENTS**

D462,453 S \* 9/2002 Johansson ..... D25/69  
D593,685 S \* 6/2009 Kieffer ..... D25/69

D677,799 S \* 3/2013 Goransson ..... D25/64  
D692,163 S \* 10/2013 Goransson ..... D25/64  
D777,351 S \* 1/2017 Holmberg ..... D25/64  
D799,063 S \* 10/2017 Yin ..... D25/64  
D815,756 S \* 4/2018 Yin ..... D25/68  
10,161,184 B2 \* 12/2018 Lampe ..... E06C 1/125

\* cited by examiner

*Primary Examiner* — Gino Colan

(74) *Attorney, Agent, or Firm* — JCIPRNET

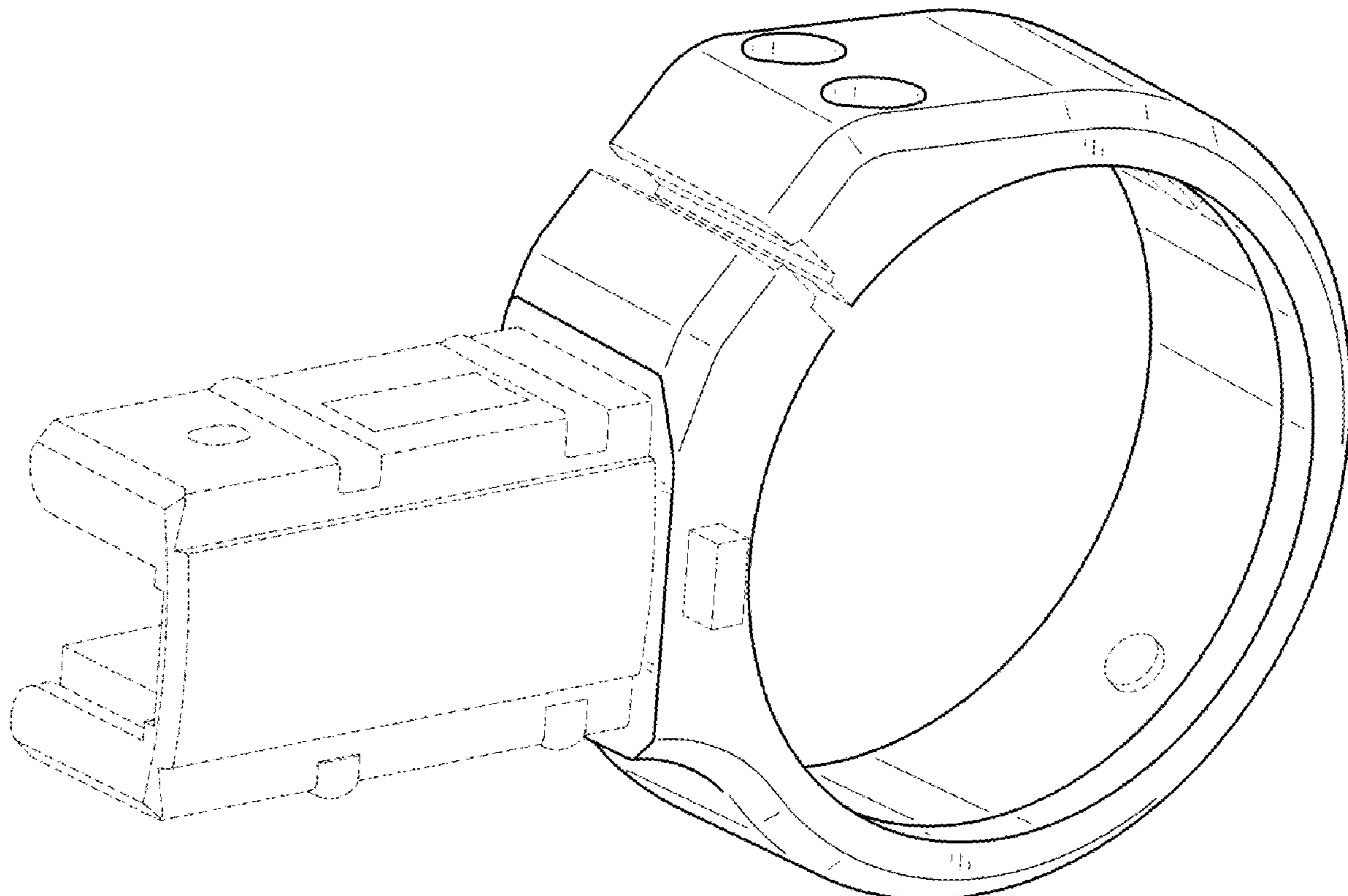
(57) **CLAIM**

The ornamental design for a connecting sleeve for extension ladder, as shown and described.

**DESCRIPTION**

FIG. 1 is a perspective view of a connecting sleeve for extension ladder showing my new design;  
FIG. 2 is a front view thereof;  
FIG. 3 is a rear view thereof;  
FIG. 4 is a left side view thereof;  
FIG. 5 is a right side view thereof;  
FIG. 6 is a top view thereof;  
FIG. 7 is a bottom view thereof; and,  
FIG. 8 is a perspective view thereof in a state of use.  
The dashed broken lines in the drawings illustrate portions of the article and form no part of the claimed design. The dashed broken lines showing of the extension ladder in FIG. 8 illustrate the environmental structure of the claimed design and form no part of the claimed design.

**1 Claim, 5 Drawing Sheets**



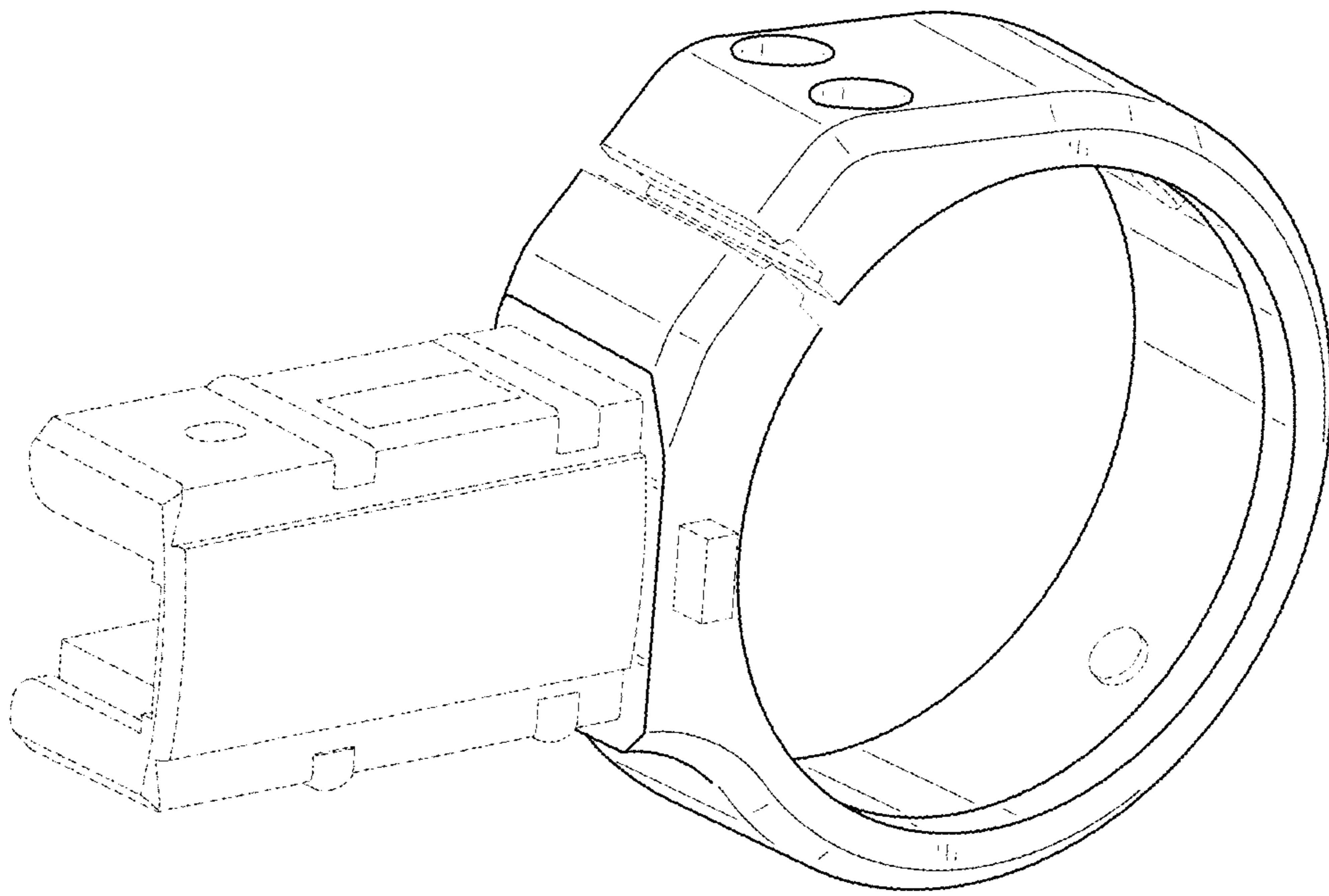


FIG. 1

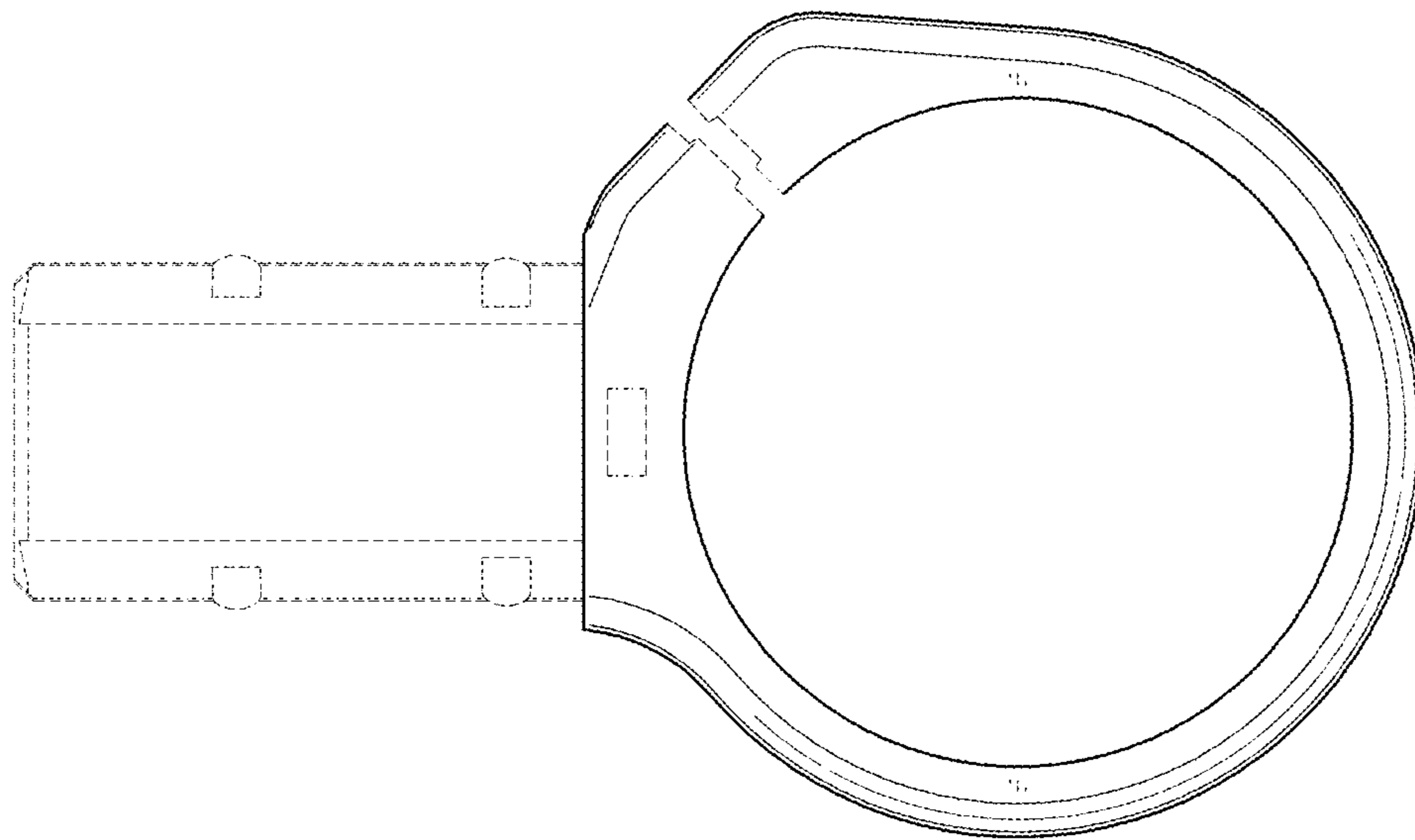


FIG. 2

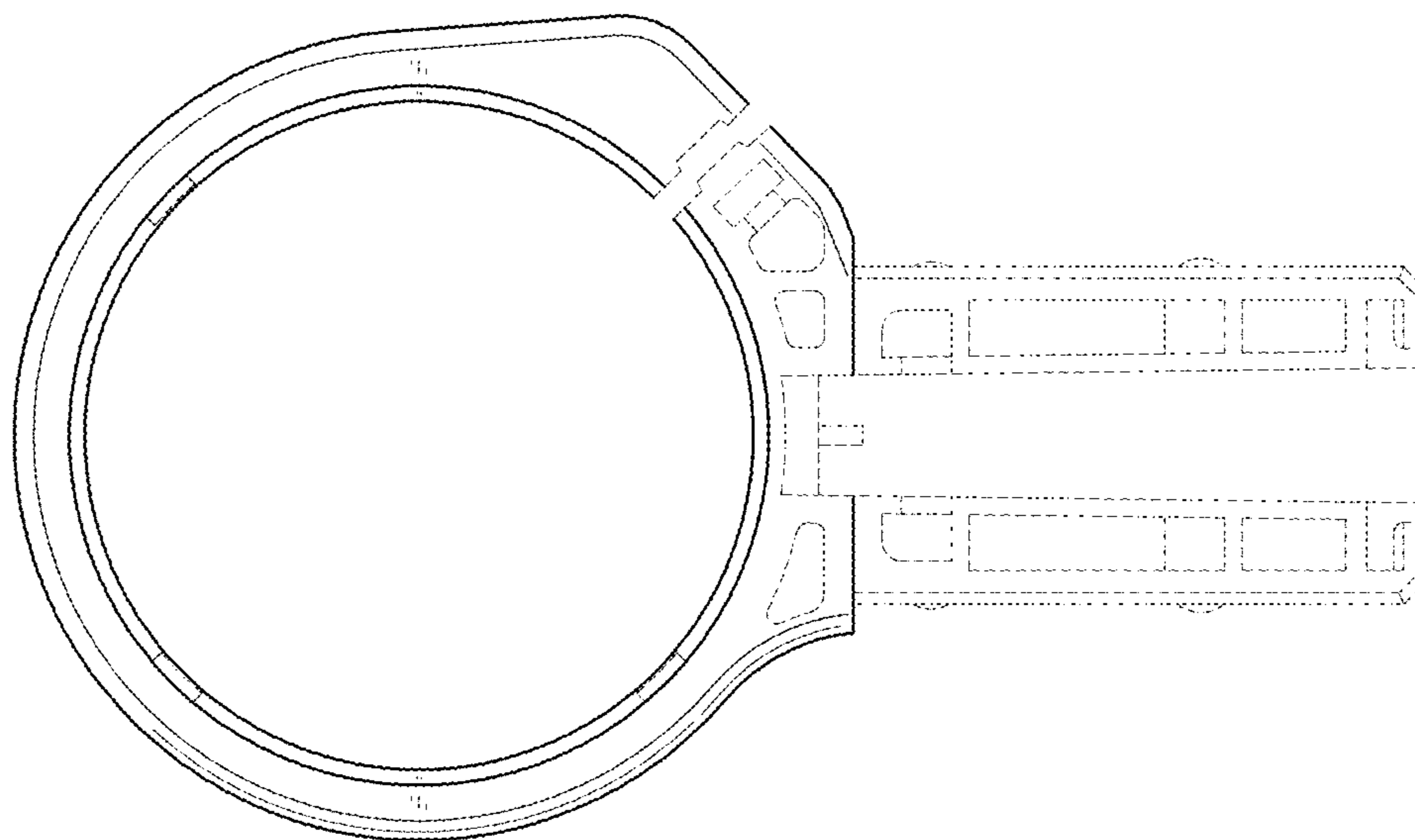


FIG. 3

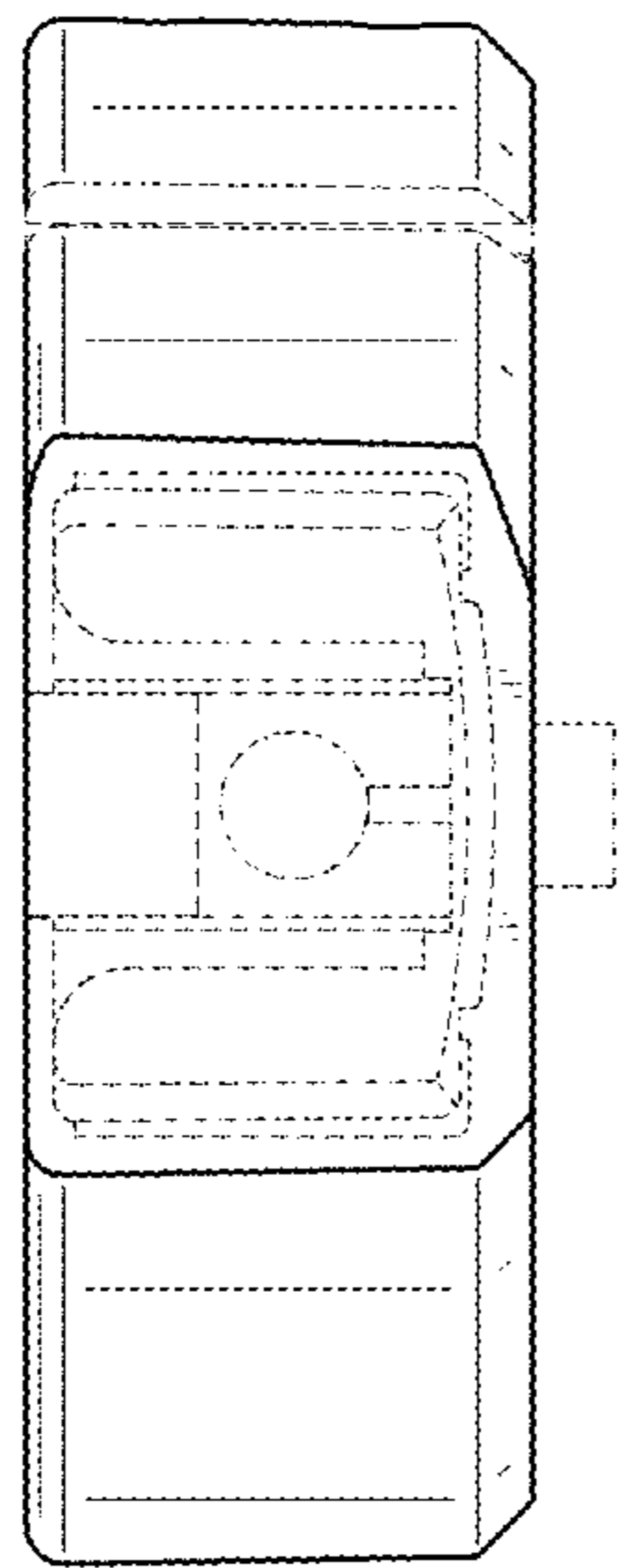


FIG. 4

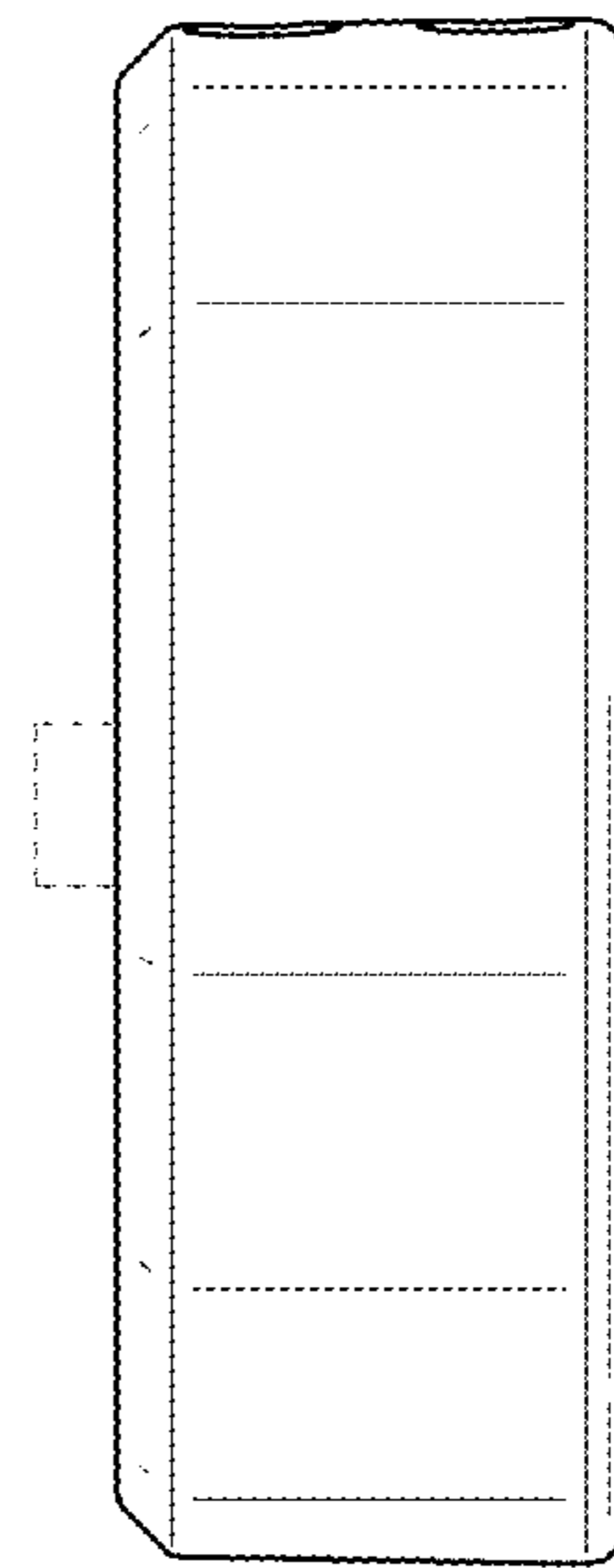


FIG. 5

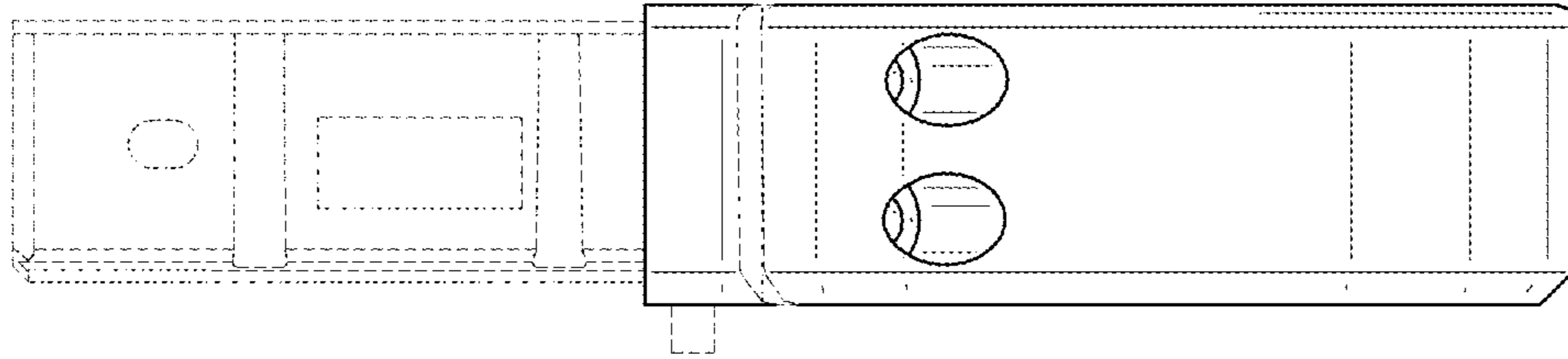


FIG. 6

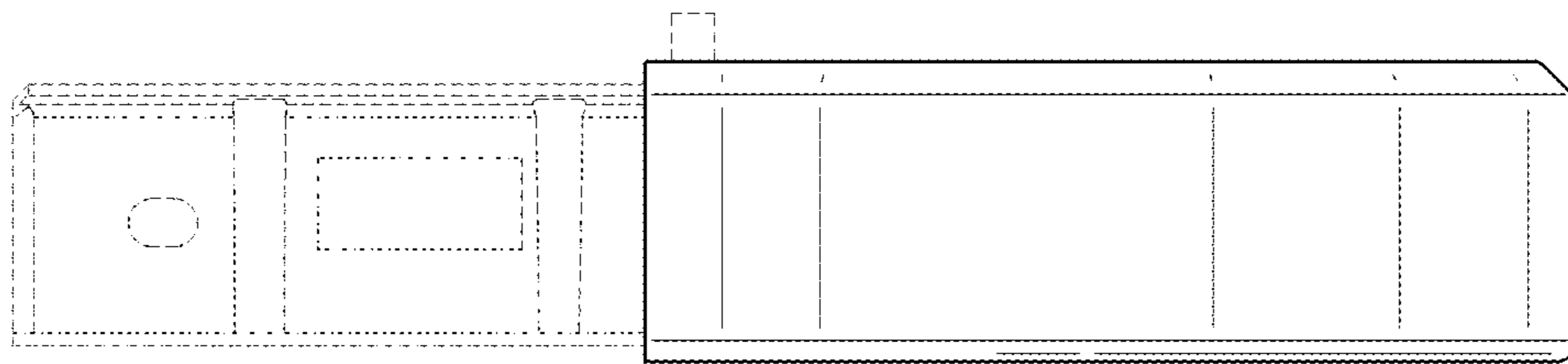


FIG. 7

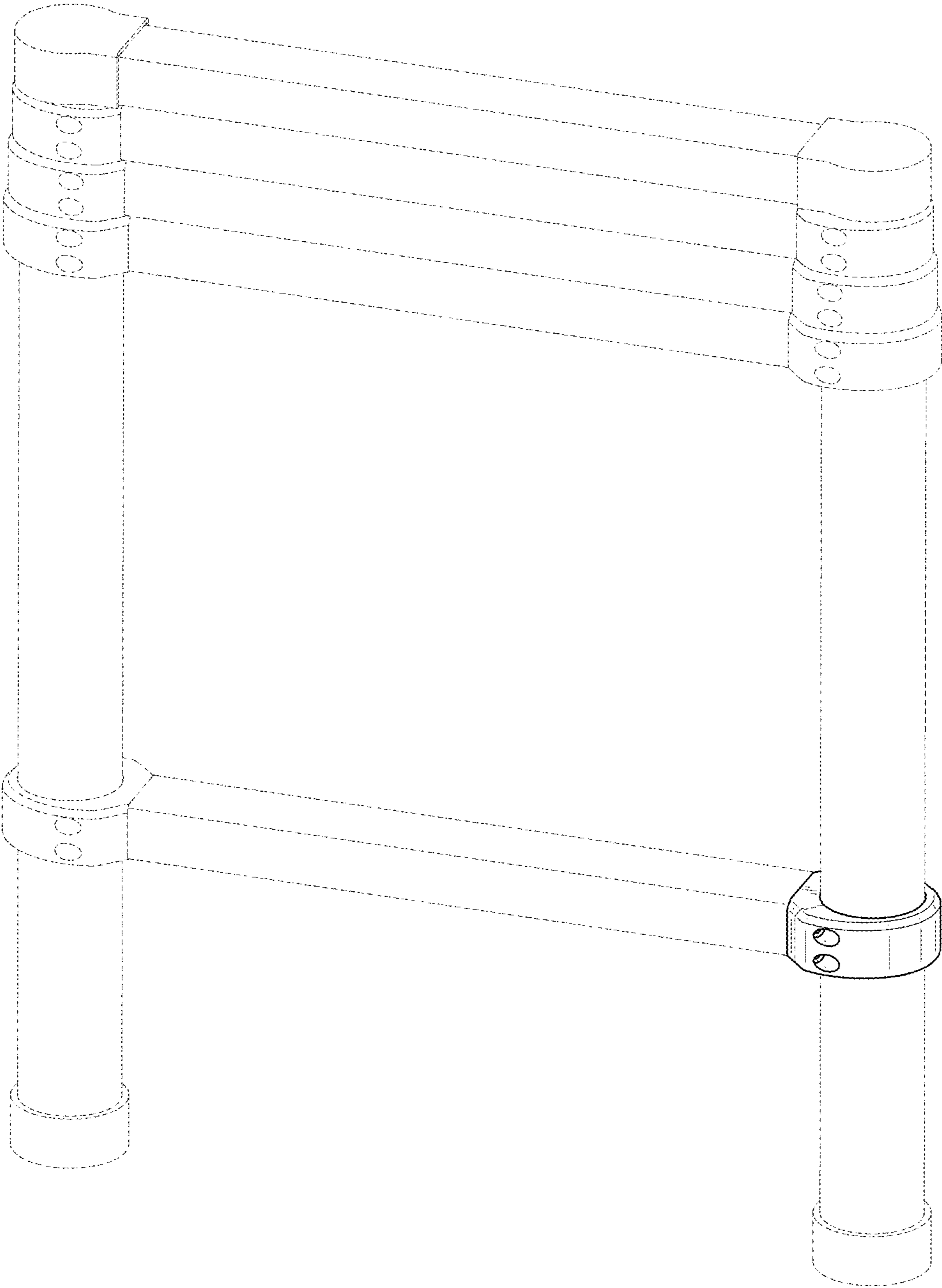


FIG. 8