



US00D885607S

(12) **United States Design Patent** (10) **Patent No.:** **US D885,607 S**
Miner et al. (45) **Date of Patent:** **** May 26, 2020**

(54) **ACCESSORY FOR LADDER**
(71) Applicant: **Wing Enterprises, Incorporated,**
Springville, UT (US)
(72) Inventors: **Steven S. Miner,** Springville, UT (US);
N. Ryan Moss, Mapleton, UT (US)
(73) Assignee: **WING ENTERPRISES,**
INCORPORATED, Springville, UT
(US)
(**) Term: **15 Years**
(21) Appl. No.: **29/667,357**
(22) Filed: **Oct. 19, 2018**
(51) **LOC (12) Cl.** **25-04**
(52) **U.S. Cl.**
USPC **D25/68**
(58) **Field of Classification Search**
USPC D25/62-69; 182/129, 151, 222, 93, 107;
248/210, 238
CPC . E06C 7/14; E06C 7/143; E06C 1/393; E06C
7/182; E06C 7/188; B25H 3/06
See application file for complete search history.

D819,834 S * 6/2018 Fiedeler D25/68
10,087,682 B2 * 10/2018 Pfeifer B25H 3/06
2016/0076304 A1 3/2016 Smith et al.
2017/0356244 A1 12/2017 Peterson et al.
2018/0230746 A1 8/2018 Maxfield et al.
2018/0298691 A1 10/2018 Cook et al.

OTHER PUBLICATIONS

U.S. Appl. No. 29/667,356, filed Oct. 19, 2018.
Design U.S. Appl. No. 29/667,352, filed Oct. 19, 2018.
Design U.S. Appl. No. 29/667,354, filed Oct. 19, 2018.
Design U.S. Appl. No. 29/667,357, filed Oct. 19, 2018.
Design U.S. Appl. No. 29/679,726, filed Feb. 8, 2019.
Design U.S. Appl. No. 29/679,733, filed Feb. 8, 2019.
U.S. Appl. No. 62/514,348, filed Jun. 2, 2017.
U.S. Appl. No. 62/732,997, filed Sep. 18, 2018.

* cited by examiner

Primary Examiner — Gino Colan
(74) *Attorney, Agent, or Firm* — Dorsey & Whitney LLP

(57) **CLAIM**

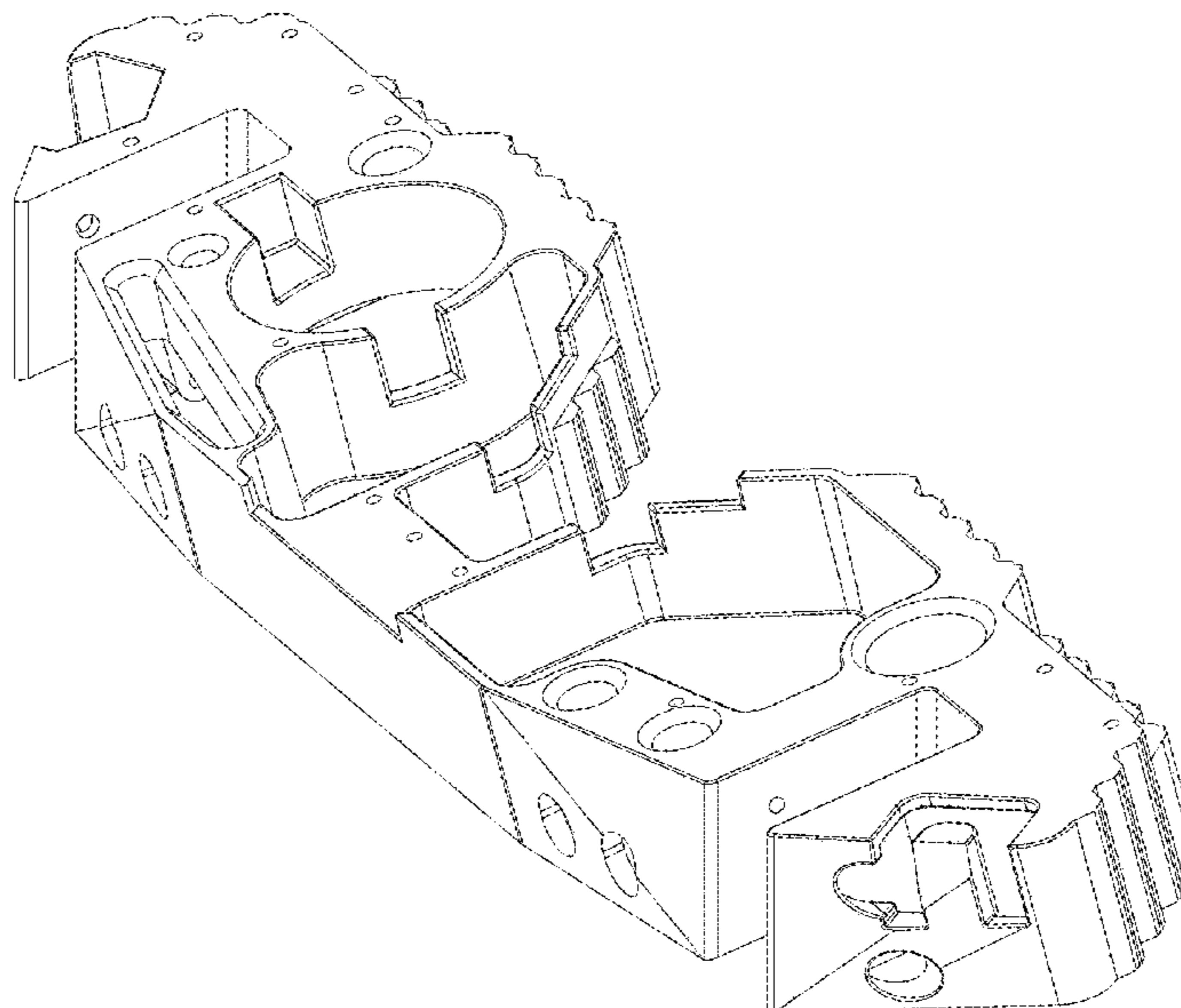
The ornamental design for an accessory for a ladder, as shown and described.

DESCRIPTION

FIG. 1 is a front perspective view of an accessory for a ladder showing our new design;
FIG. 2 is a rear perspective view of the accessory shown in FIG. 1;
FIG. 3 is a front view of the accessory shown in FIG. 1;
FIG. 4 is a rear view of the accessory shown in FIG. 1;
FIG. 5 is a right side view of the accessory shown in FIG. 1;
FIG. 6 is a left side view of the accessory shown in FIG. 1;
FIG. 7 is a top side view of the accessory shown in FIG. 1;
and,
FIG. 8 is a bottom view of the accessory shown in FIG. 1.

1 Claim, 8 Drawing Sheets

(56) **References Cited**
U.S. PATENT DOCUMENTS
5,573,081 A * 11/1996 Bartnicki E06C 7/14
182/129
D597,685 S * 8/2009 Gibson E06C 7/14
D25/68
7,575,097 B2 * 8/2009 Sheridan E06C 1/34
182/107
7,753,170 B1 * 7/2010 Gibson E06C 7/14
182/107
8,186,481 B2 5/2012 Moss et al.
8,210,313 B2 * 7/2012 Astor E06C 7/14
182/129
9,016,434 B2 4/2015 Moss et al.



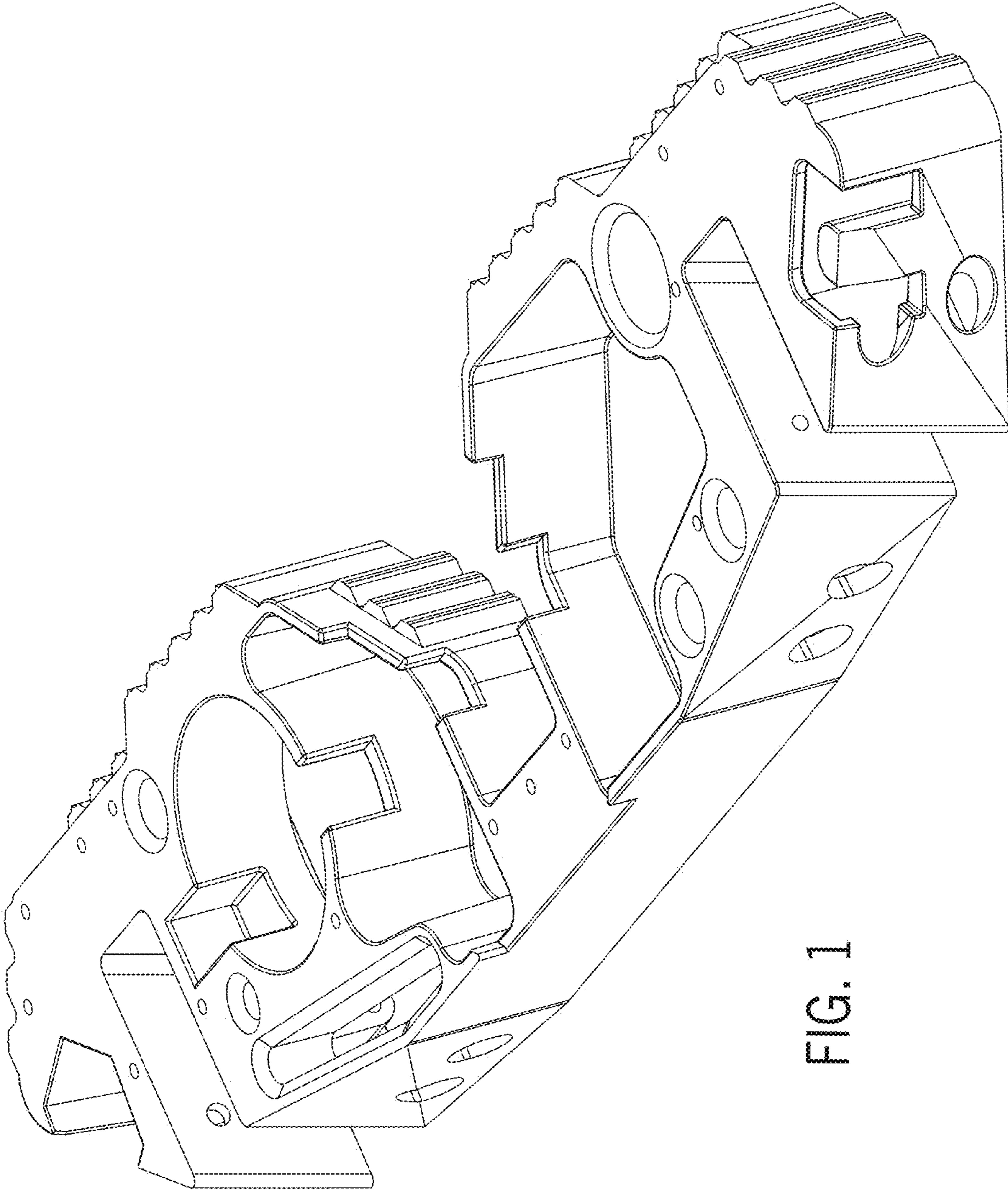


FIG. 1

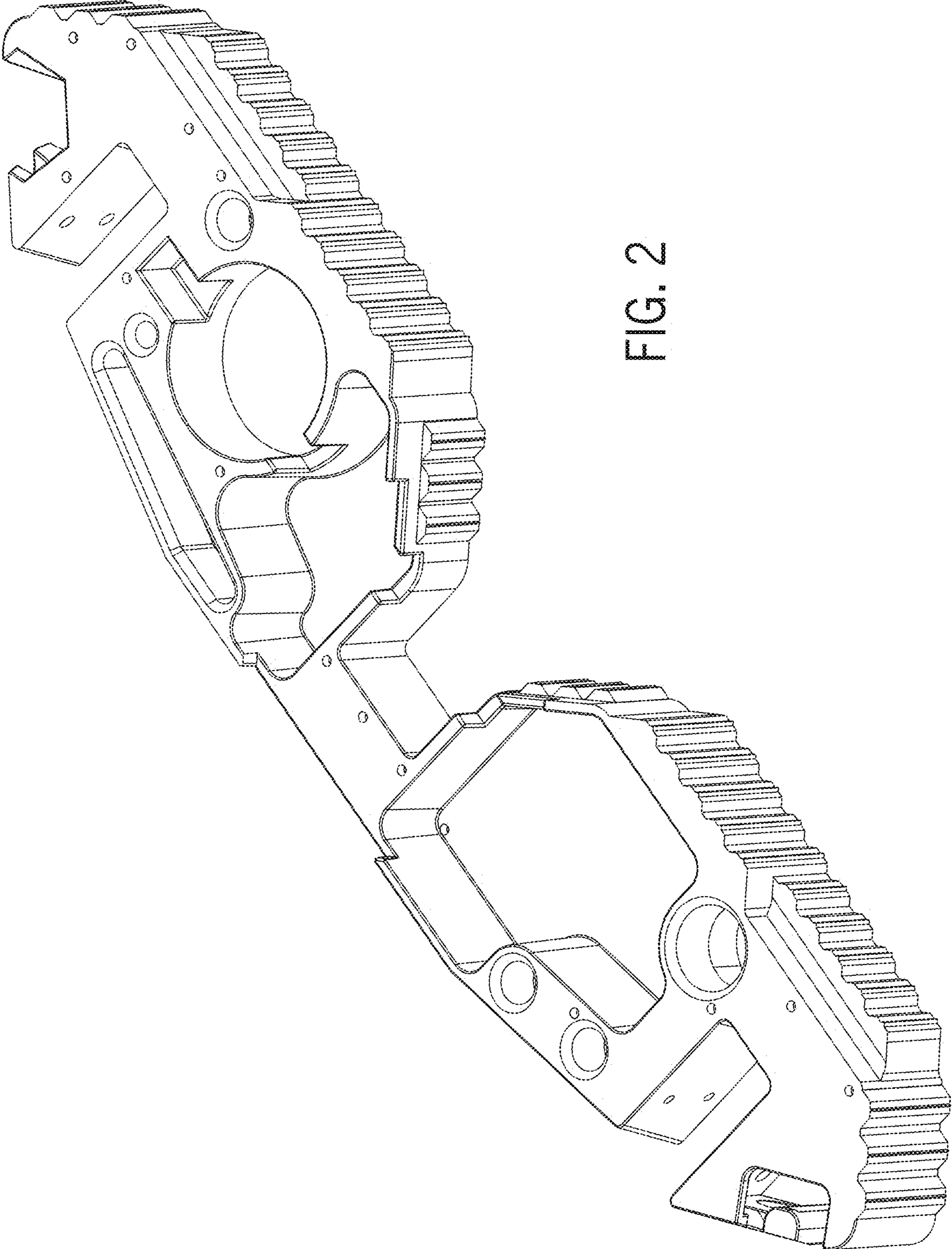


FIG. 2

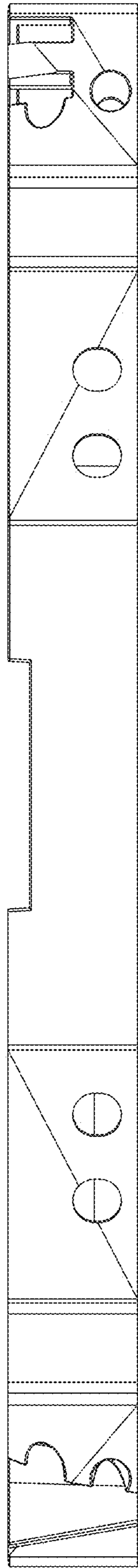


FIG. 3

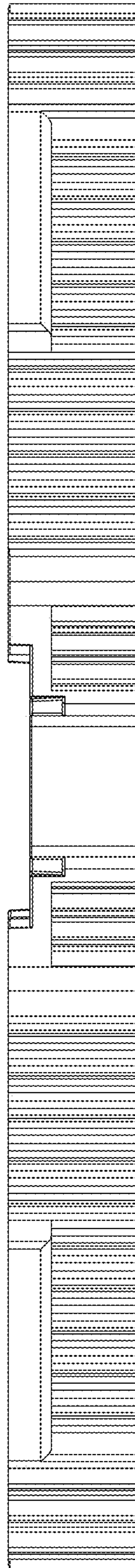


FIG. 4

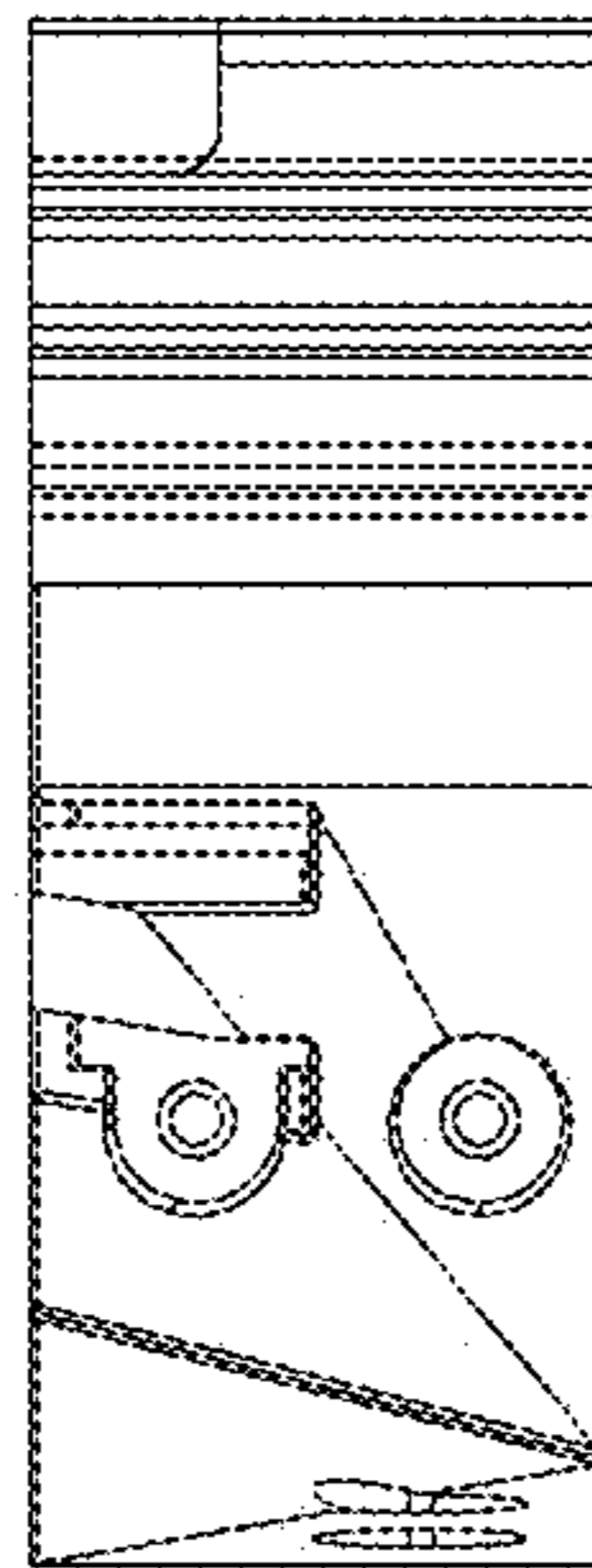


FIG. 5

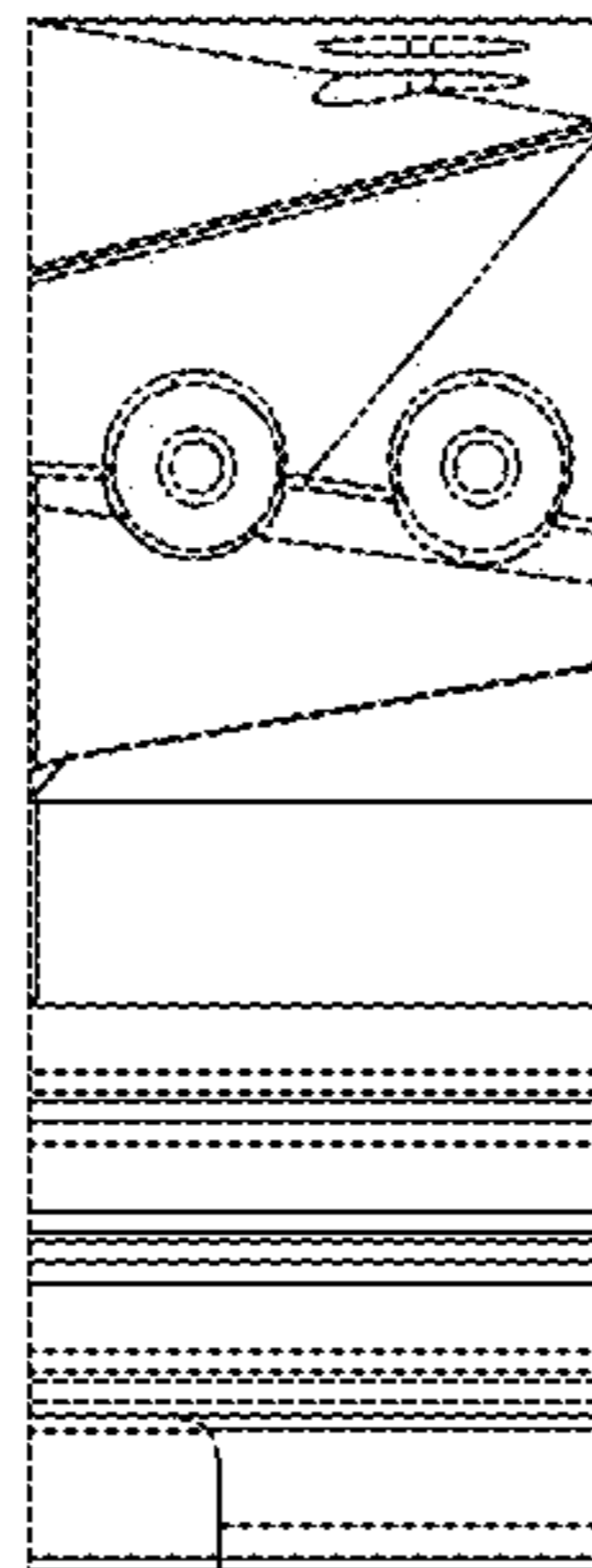


FIG. 6

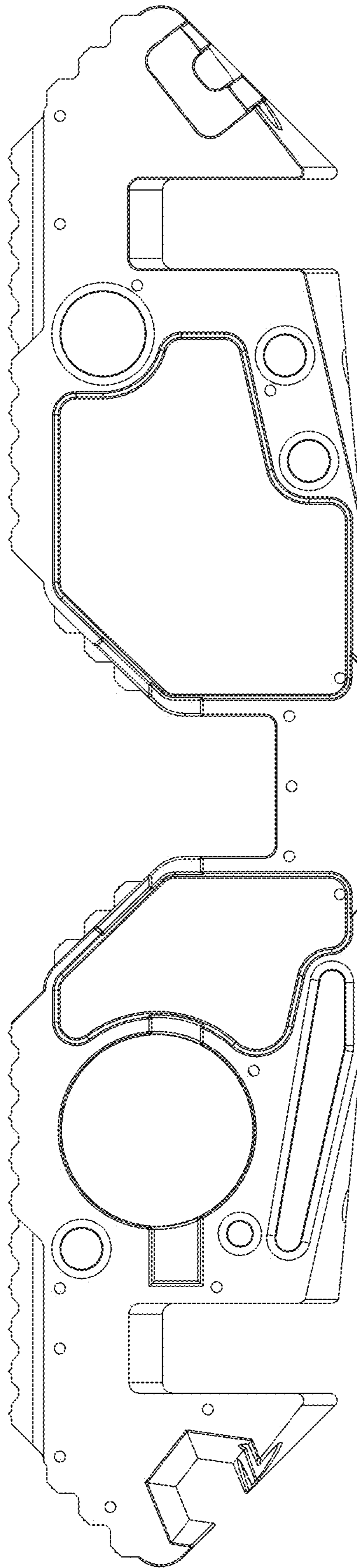


FIG. 7

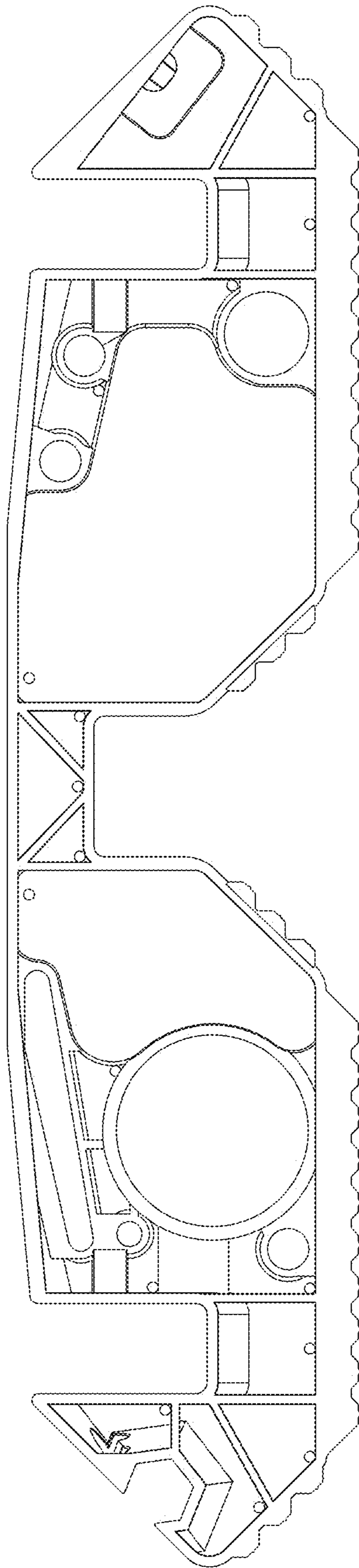


FIG. 8