



US00D885606S

(12) **United States Design Patent** (10) **Patent No.:** **US D885,606 S**
Chapman (45) **Date of Patent:** **** May 26, 2020**

(54) **SHADE FRAME**

(71) Applicant: **Loric Leaves Pty Ltd**, Queensland (AU)

(72) Inventor: **John Chapman**, Queensland (AU)

(73) Assignee: **LORIC LEAVES PTY LTD.**, Queensland (AU)

(**) Term: **15 Years**

(21) Appl. No.: **29/654,124**

(22) Filed: **Jun. 21, 2018**

(30) **Foreign Application Priority Data**

Dec. 21, 2017 (AU) 201717876

(51) **LOC (12) Cl.** **25-02**

(52) **U.S. Cl.**
USPC **D25/56**

(58) **Field of Classification Search**
USPC D3/5; D6/716.8; D11/118; D25/16, 32, D25/56, 57, 100, 101

CPC ... A45B 11/00; A45B 3/00; A45B 2200/1009; A45B 25/02; A45B 25/18; A45B 19/04; E04B 1/344; E04H 15/18

See application file for complete search history.

(56) **References Cited**

U.S. PATENT DOCUMENTS

590,270 A * 9/1897 Masek et al. A45B 11/00 135/88.04
D193,235 S * 7/1962 McNew D25/56
D200,471 S * 3/1965 Chang D11/117
3,533,202 A * 10/1970 Gellert E04B 1/344 52/80.1
D370,556 S * 6/1996 Yu D3/5
D396,018 S * 7/1998 Stover D11/118
D403,082 S * 12/1998 Love D25/56
6,318,391 B1 * 11/2001 You A45B 25/22 135/27
D454,209 S * 3/2002 Mantooth D25/56

D466,613 S * 12/2002 Castiel D25/16
D468,837 S * 1/2003 Shilling D25/56
D473,320 S * 4/2003 Imai D25/56
6,571,814 B2 * 6/2003 You A45B 11/00 135/15.1

(Continued)

FOREIGN PATENT DOCUMENTS

CN 303425039 * 10/2015
EM 001911819-0003 * 9/2011

OTHER PUBLICATIONS

Loric Leaves—Home _ Facebook <https://www.facebook.com/pages/category/Architectural-Designer/Loric-Leaves-1543569462410018/> Sep. 14, 2018 (Year: 2018).*

(Continued)

Primary Examiner — Leanne Was-Englehart
(74) *Attorney, Agent, or Firm* — Davis & Bujold PLLC; Michael J. Bujold

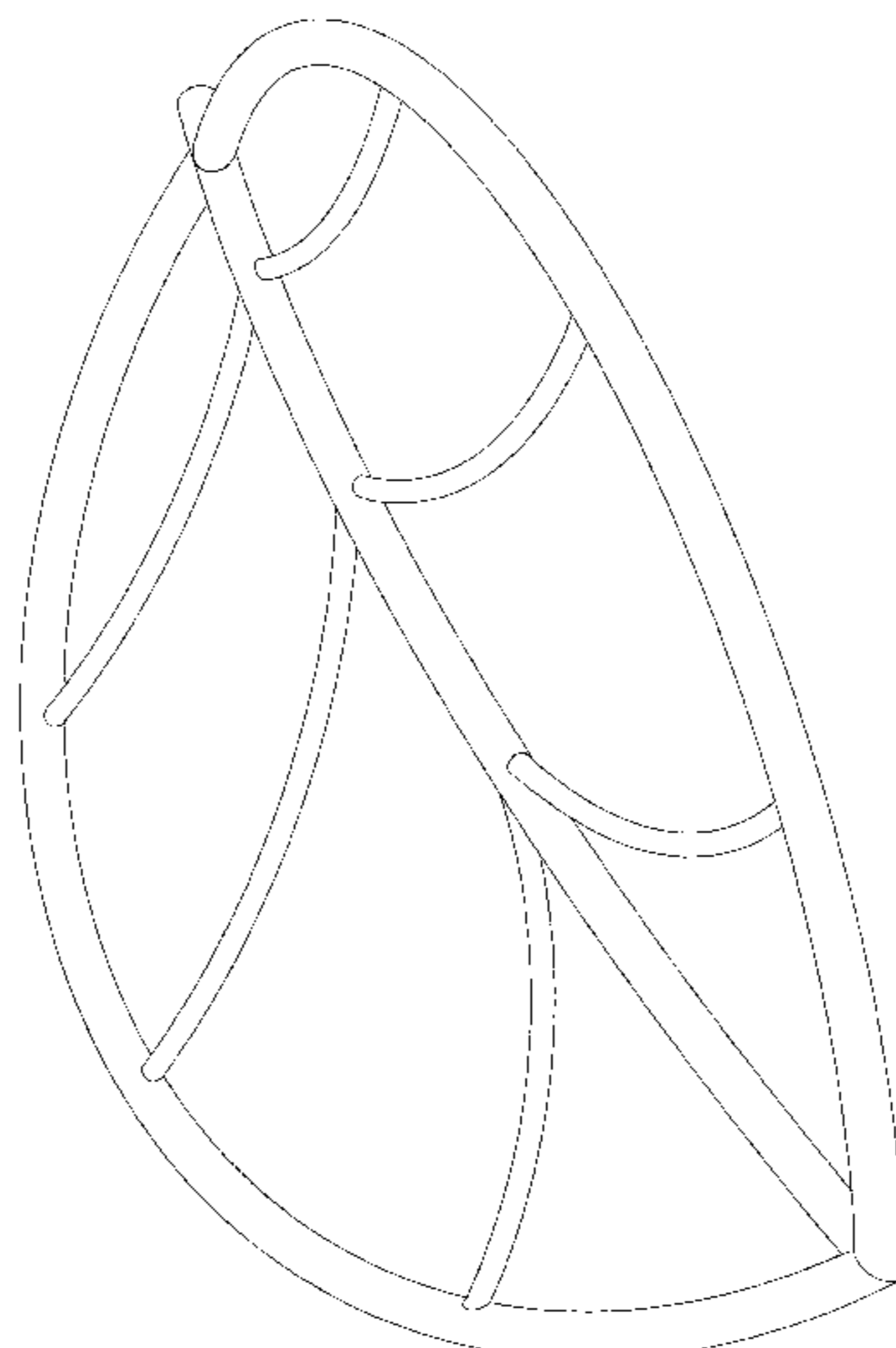
(57) **CLAIM**

I claim the ornamental design for a shade frame, as shown and described.

DESCRIPTION

FIG. 1 is a top, front, right side perspective view of a shade frame embodying my new design;
FIG. 2 is a top view;
FIG. 3 is a bottom view;
FIG. 4 is a right side view;
FIG. 5 is a left side view;
FIG. 6 is a front view;
FIG. 7 is a rear view; and,
FIG. 8 is a front, right side perspective view.
The ornamental design which is claimed is shown in solid lines in the drawings.

1 Claim, 8 Drawing Sheets



(56)

References Cited

U.S. PATENT DOCUMENTS

D544,104	S	*	6/2007	Grotbeck	D25/56
D612,146	S	*	3/2010	Clarke	D3/5
D767,322	S	*	9/2016	Bruce	D3/5
D811,719	S	*	3/2018	Weng	D3/5
10,030,407	B1	*	7/2018	Beedle	A45B 23/00
D857,921	S	*	8/2019	Gallardo Flores	D25/56
2002/0117195	A1	*	8/2002	You	A45B 11/00 135/33.7

OTHER PUBLICATIONS

Loric Leaves—Sun Shades—Loricleaves <https://loricleaves.com.au/#> Apr. 7, 2018 (Year: 2018).*

Loric Leaves Brochure <https://advancedshade.com.au/file/3998/1641> Jun. 3, 2019 (Year: 2019).*

LÖVA Bed canopy—green—IKEA <https://www.ikea.com/us/en/p/loeva-bed-canopy-green-40338405/> Jul. 13, 2017 (Year: 2017).*

Rimbou Lotus Shade Leaf Umbrosa Collection by ShadeScapes Americas on Vimeo <https://vimeo.com/199048438> Jan. 11, 2017 (Year: 2017).*

* cited by examiner

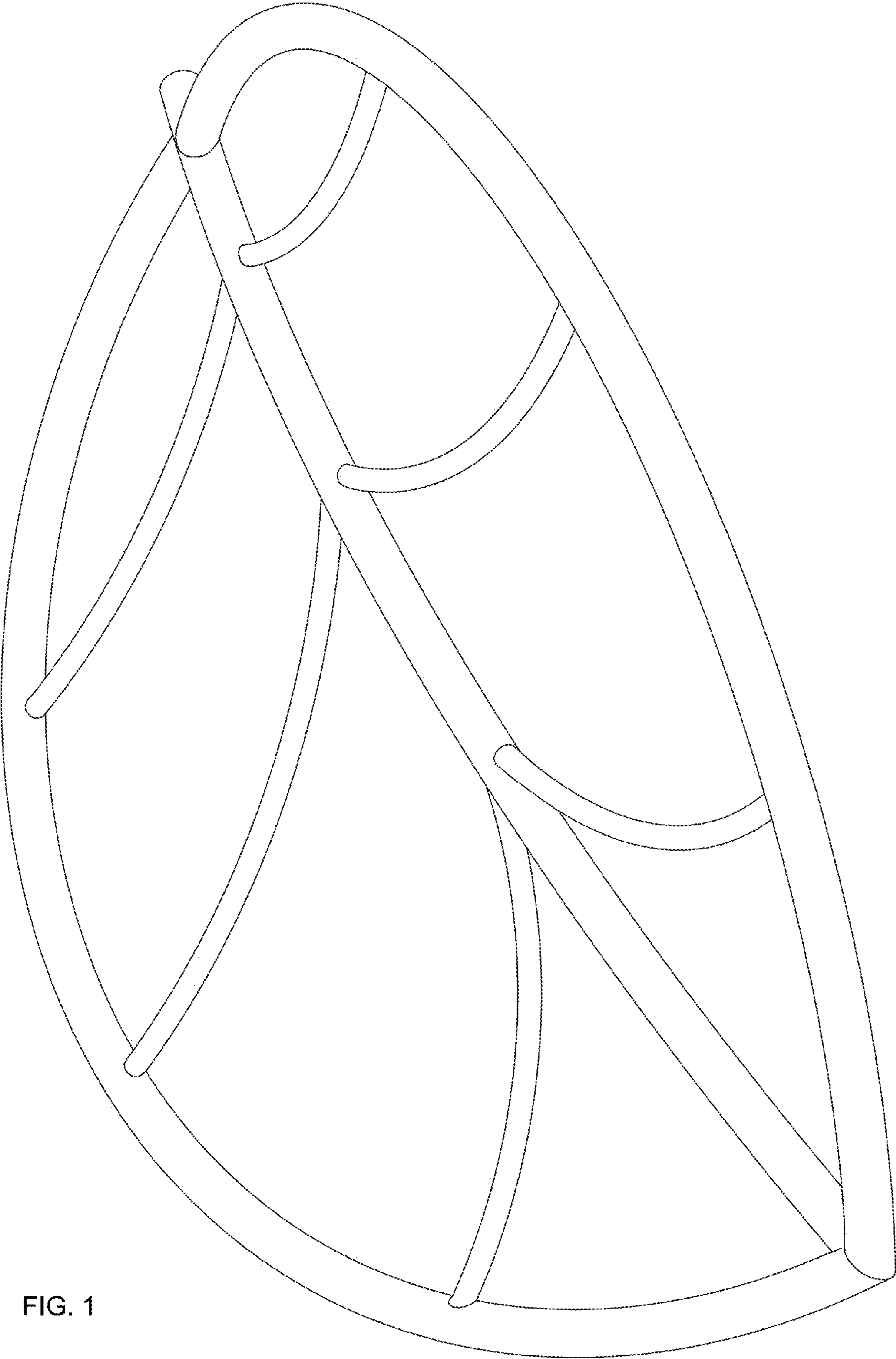


FIG. 1

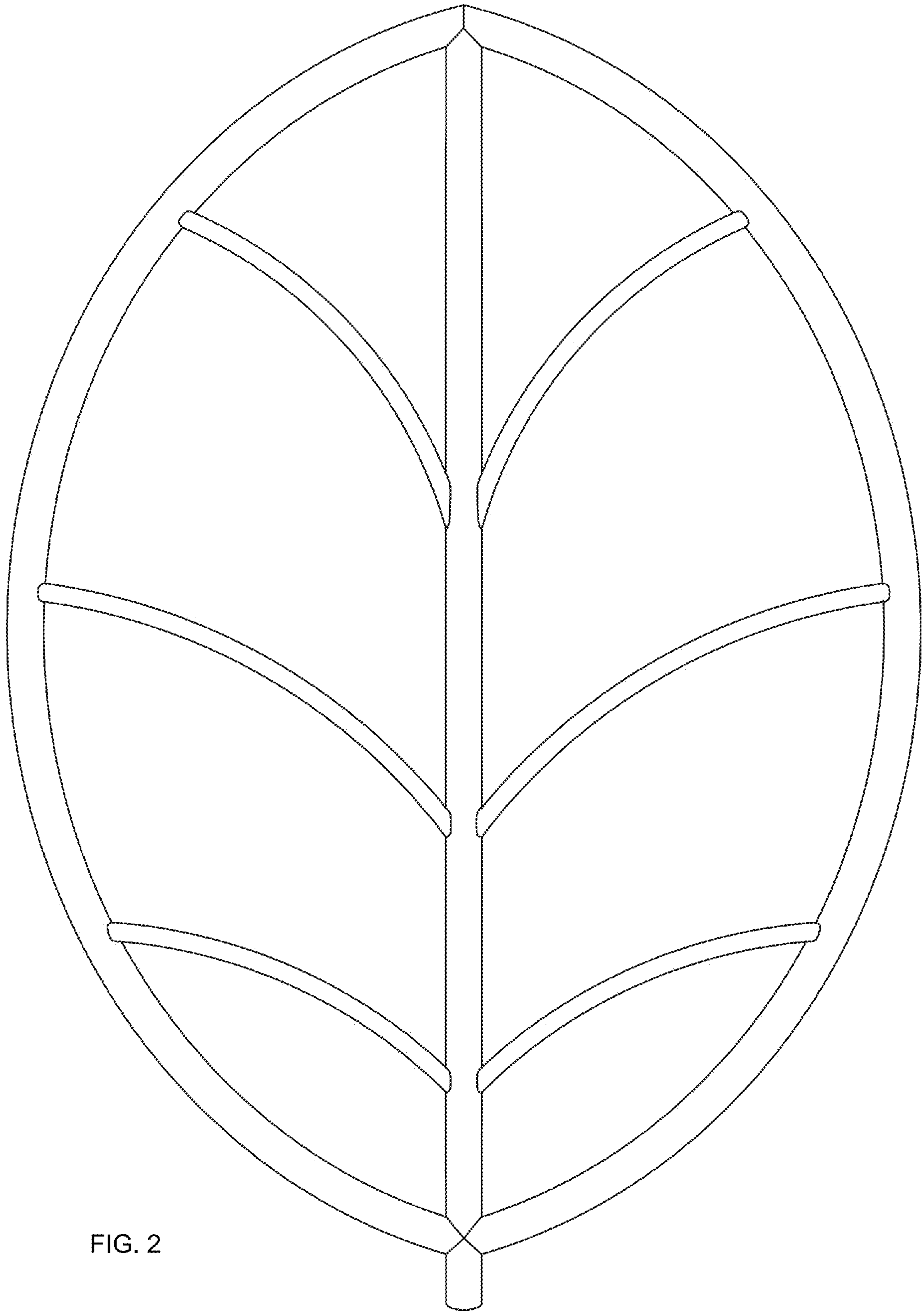


FIG. 2

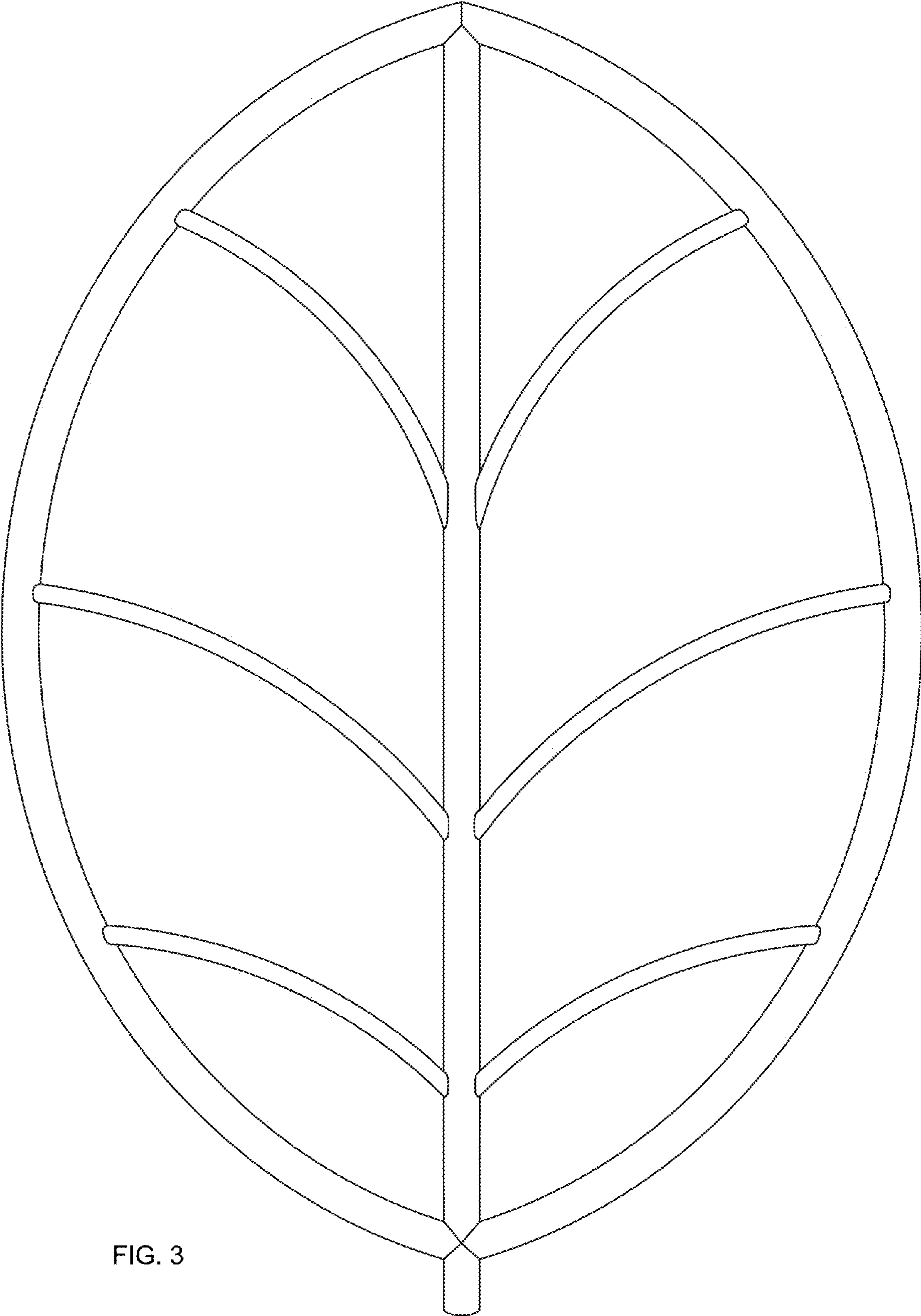


FIG. 3

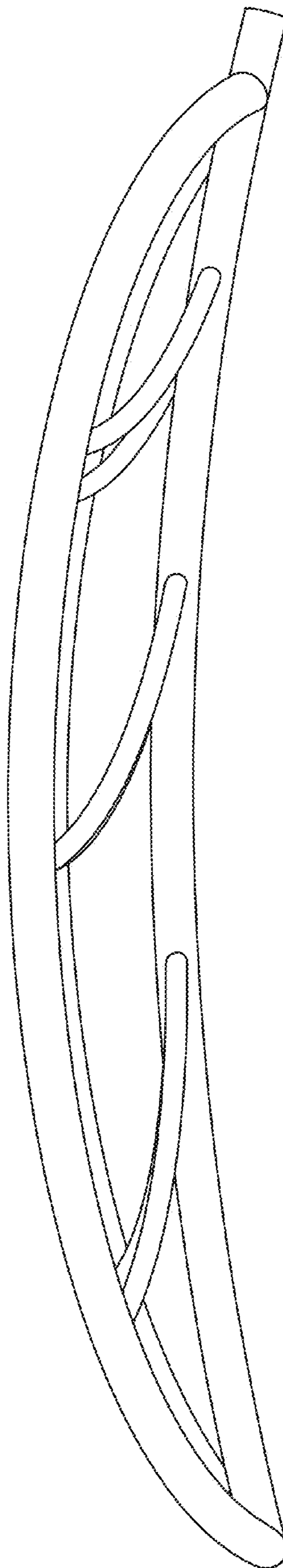


FIG. 4

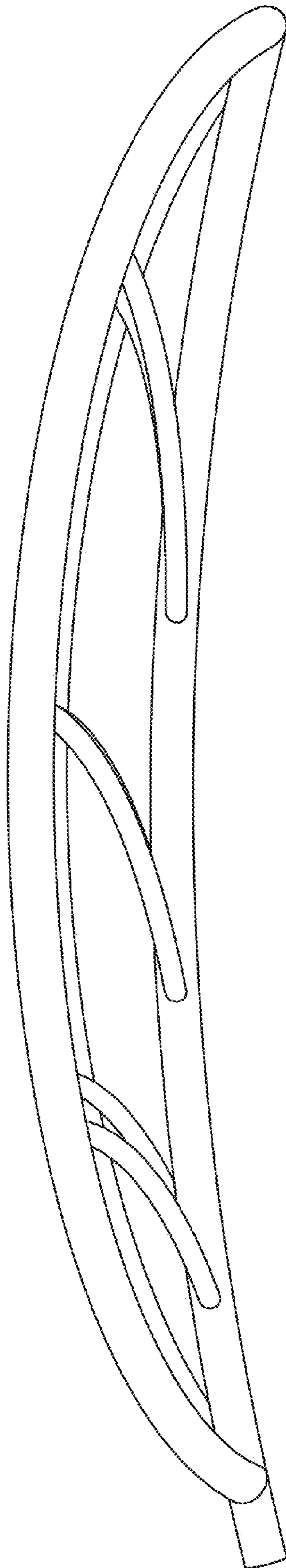


FIG. 5

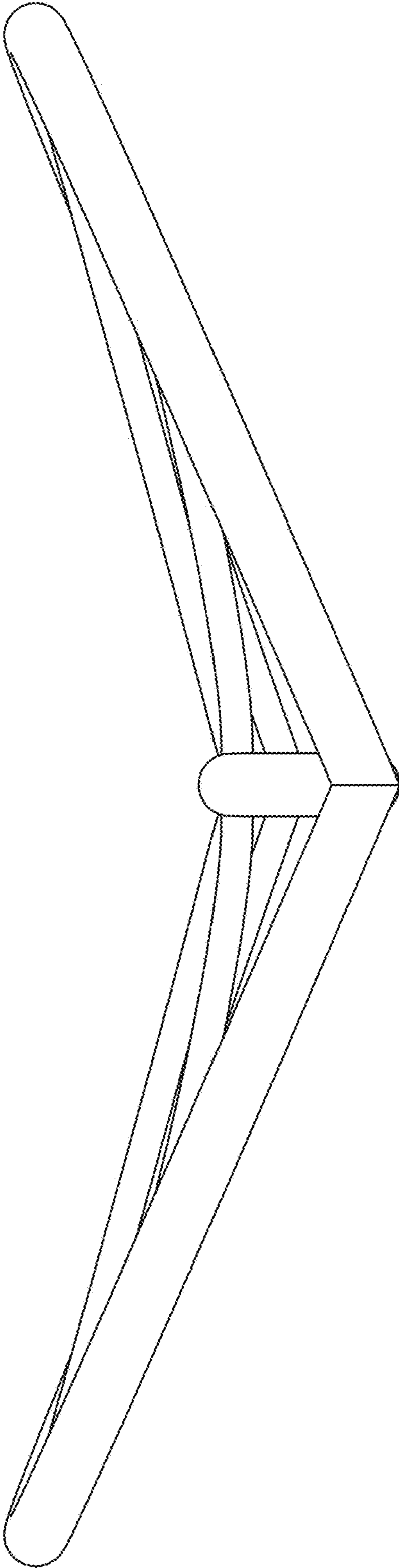


FIG. 6

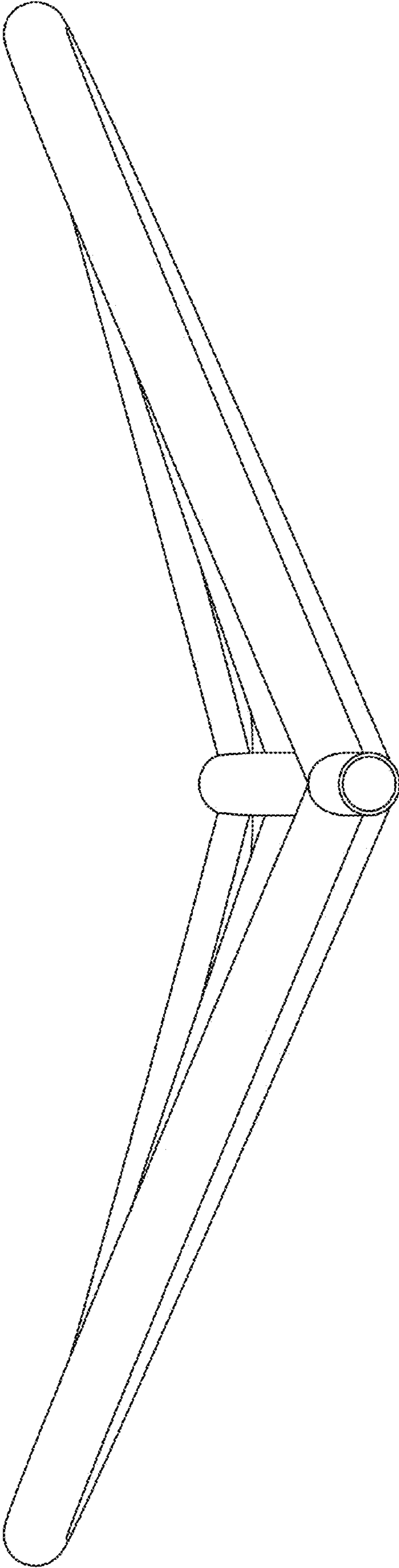


FIG. 7

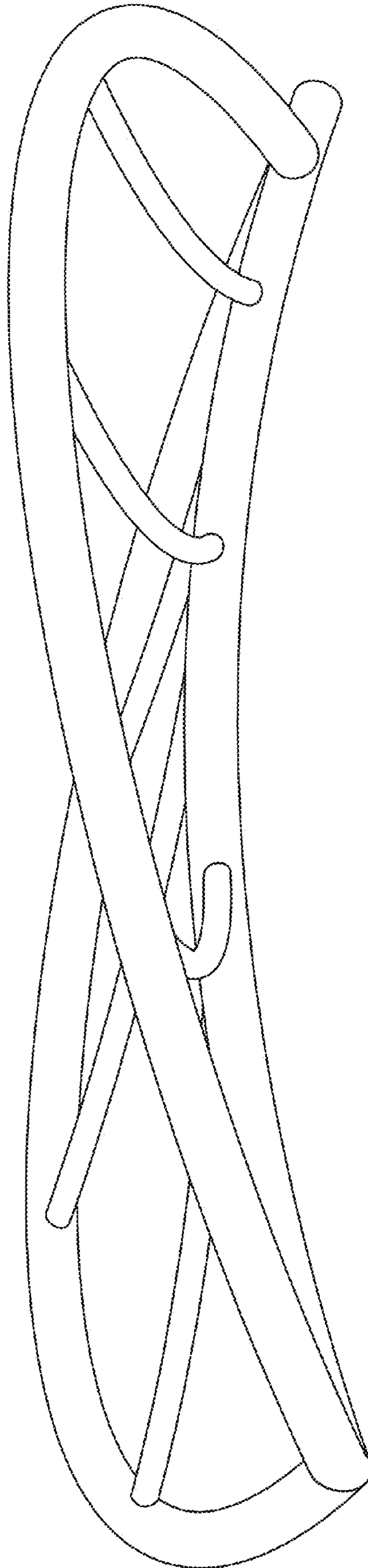


FIG. 8