



US00D885603S

(12) **United States Design Patent**
Zhang

(10) **Patent No.:** **US D885,603 S**

(45) **Date of Patent:** **** May 26, 2020**

- (54) **CELLPHONE STERILIZER**
- (71) Applicant: **Jianrong Zhang**, Zhejiang (CN)
- (72) Inventor: **Jianrong Zhang**, Zhejiang (CN)
- (**) Term: **15 Years**
- (21) Appl. No.: **29/677,791**
- (22) Filed: **Jan. 23, 2019**
- (51) **LOC (12) Cl.** **24-01**
- (52) **U.S. Cl.**
USPC **D24/217**
- (58) **Field of Classification Search**
USPC D24/216, 217, 218, 219, 232; D3/294
CPC A61L 2/26; A61L 2/24; A61L 2/17; A61L
2/18; A61L 2/025; A61L 2202/122; A61L
2202/10; A61L 2202/11; A61L 2202/14;
A61L 2202/23; A61L 2202/24; A61L
2202/182
See application file for complete search history.

- D841,181 S * 2/2019 Byun D24/217
- D846,142 S * 4/2019 Yellen D24/217
- D850,030 S * 5/2019 Tian A61N 5/0624
D32/1
- D854,705 S * 7/2019 Ouyang D24/217
- 2017/0080251 A1* 3/2017 Yehezkel A61N 5/0624

* cited by examiner

Primary Examiner — Anhdao Doan

(74) *Attorney, Agent, or Firm* — Wood, Phillips, Katz,
Clark & Mortimer

(57) **CLAIM**

The design for a cellphone sterilizer, as shown and described.

DESCRIPTION

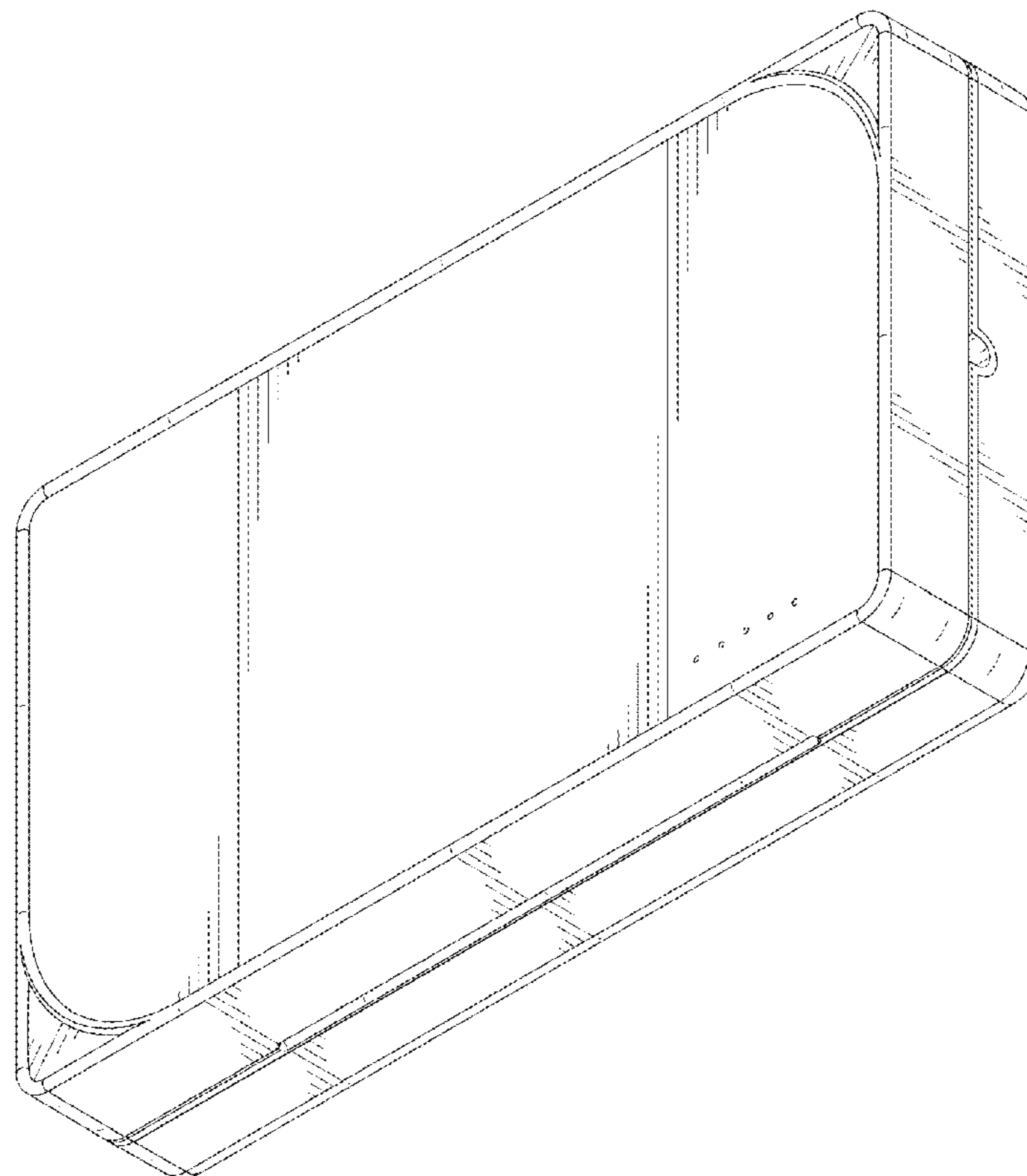
- FIG. 1 is a front elevational view of the present cellphone sterilizer;
- FIG. 2 is a rear elevational view of the present cellphone sterilizer;
- FIG. 3 is an end elevational view of the present cellphone sterilizer;
- FIG. 4 is an opposite end elevational view of the present cellphone sterilizer;
- FIG. 5 is a top plan view thereof;
- FIG. 6 is a bottom plan view thereof;
- FIG. 7 is an upper front isometric view thereof;
- FIG. 8 is a bottom isometric view thereof;
- FIG. 9 is a lower front isometric view thereof; and,
- FIG. 10 is a further bottom isometric view thereof.

1 Claim, 10 Drawing Sheets

(56) **References Cited**

U.S. PATENT DOCUMENTS

- D306,066 S * 2/1990 Williams D24/217
- D318,329 S * 7/1991 Porteous D24/217
- D600,578 S * 9/2009 Tsuji D10/81
- D705,534 S * 5/2014 Manjerico D3/218
- D712,061 S * 8/2014 Hicks D24/227
- D764,068 S * 8/2016 Tipton D24/217
- D809,152 S * 1/2018 Chan D24/217



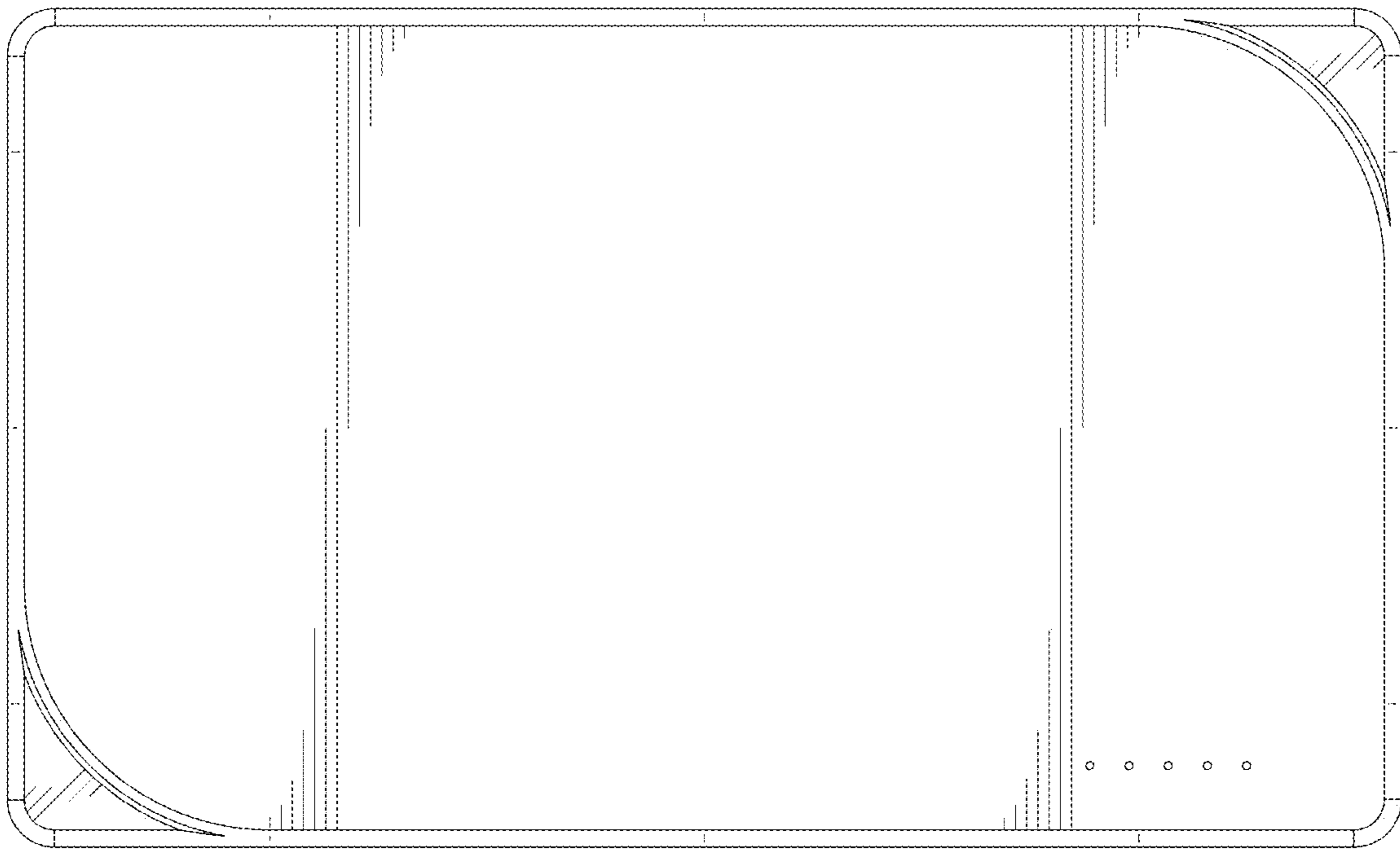


FIG.1

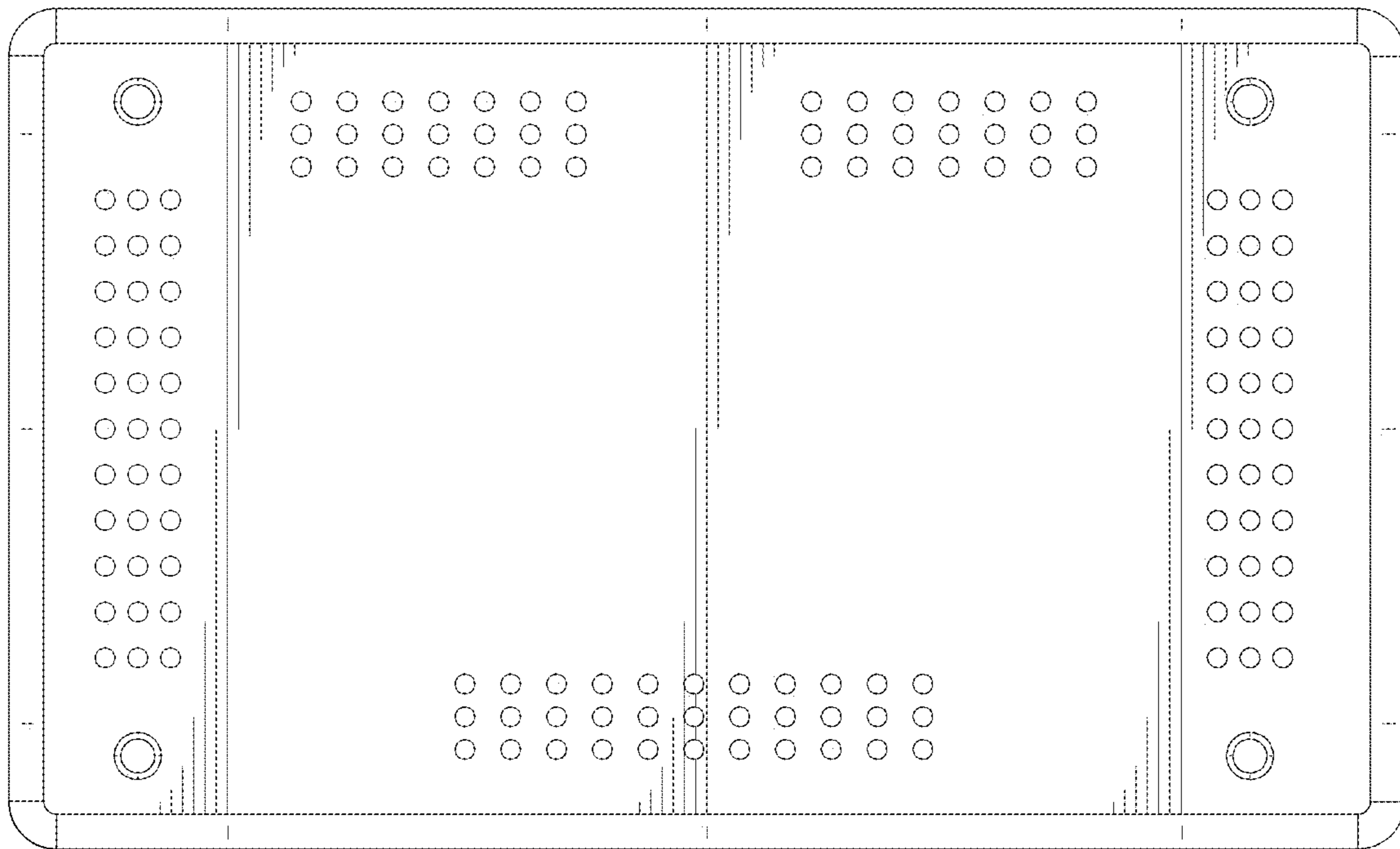


FIG.2

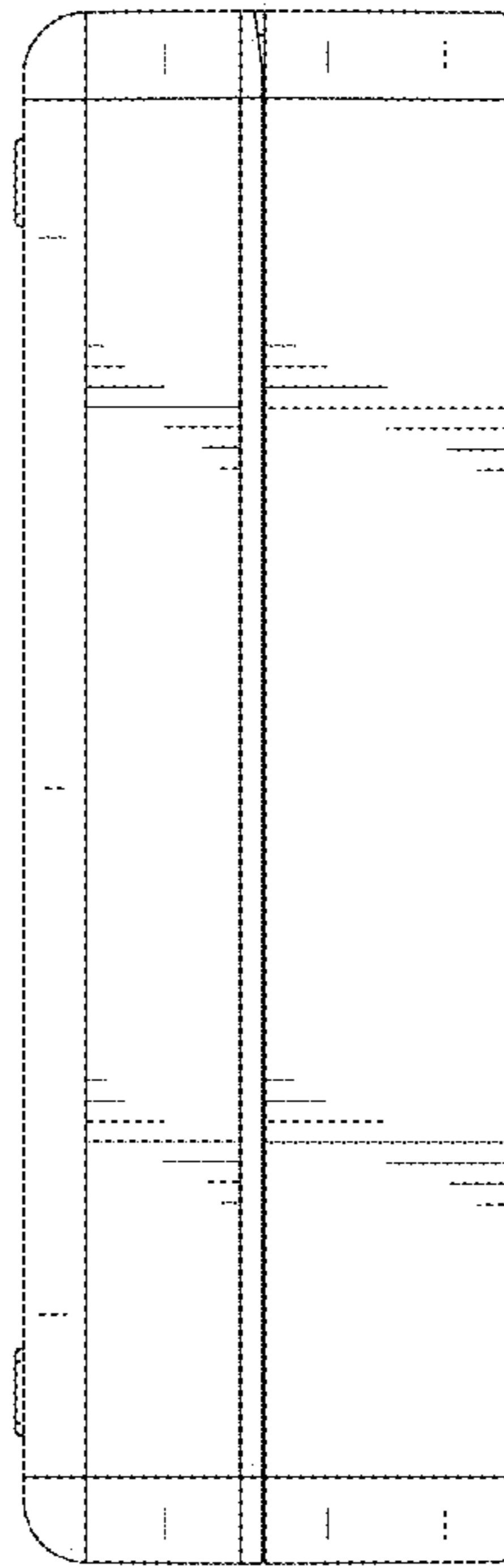


FIG.3

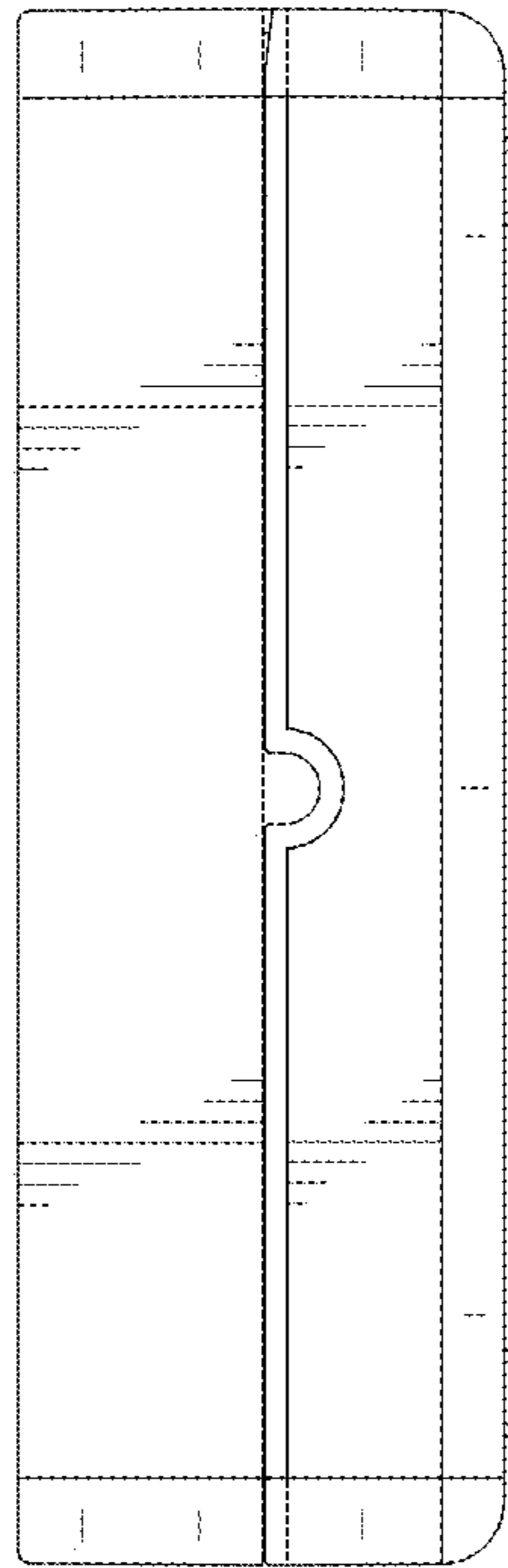


FIG.4

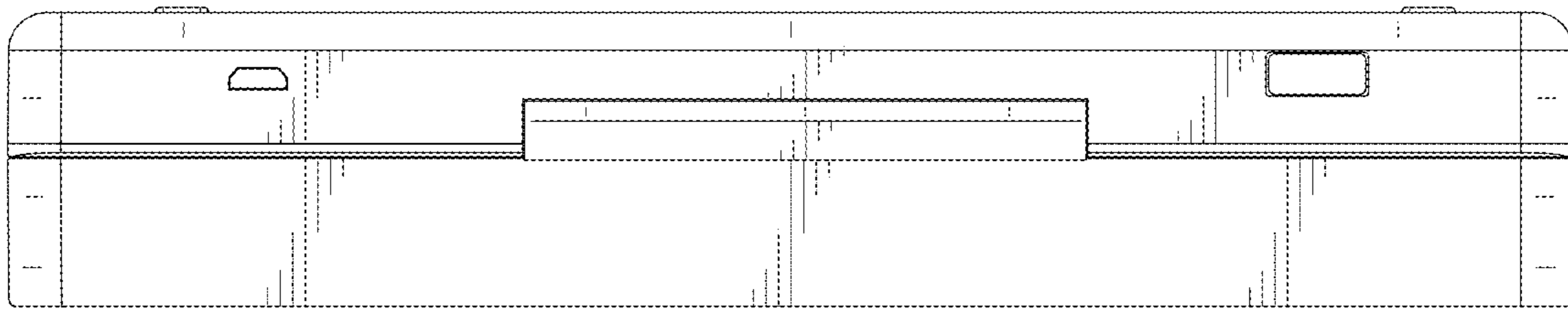


FIG.5

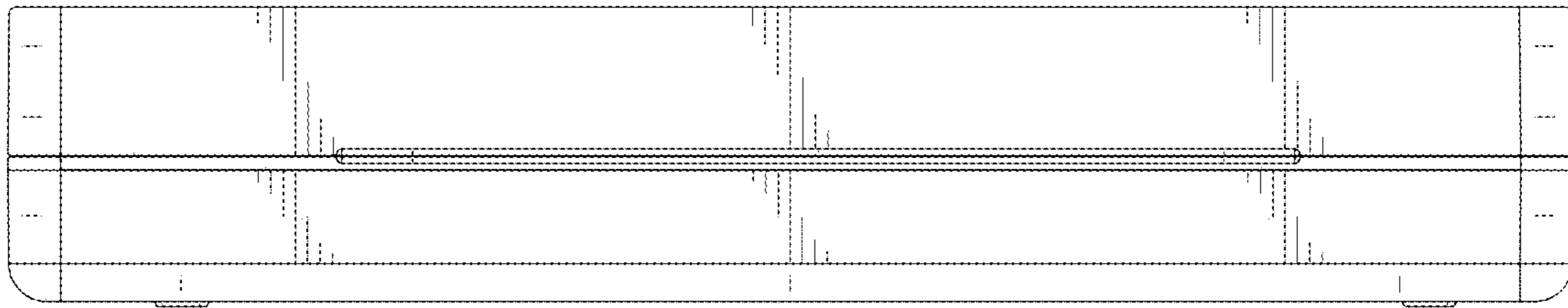


FIG.6

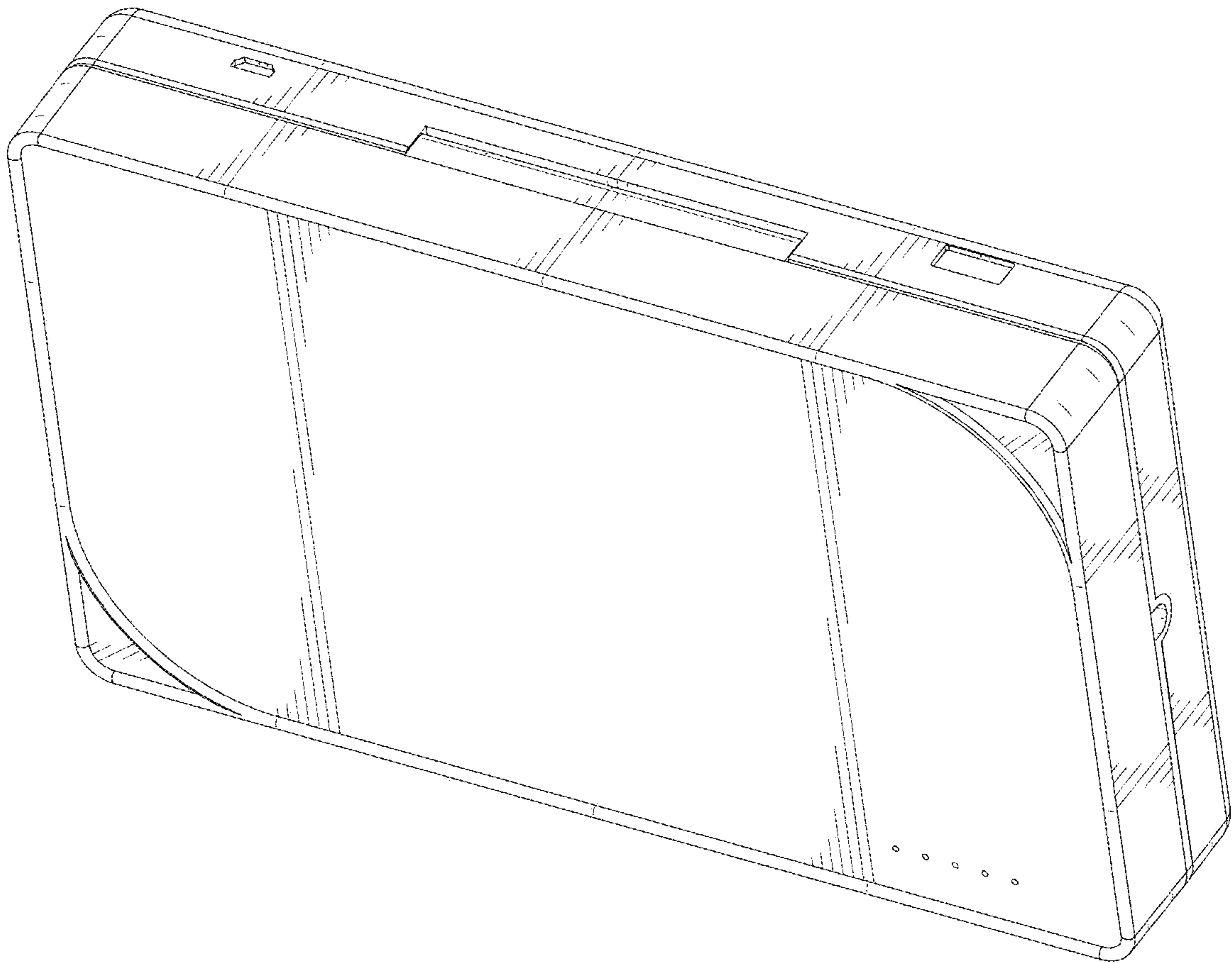


FIG.7

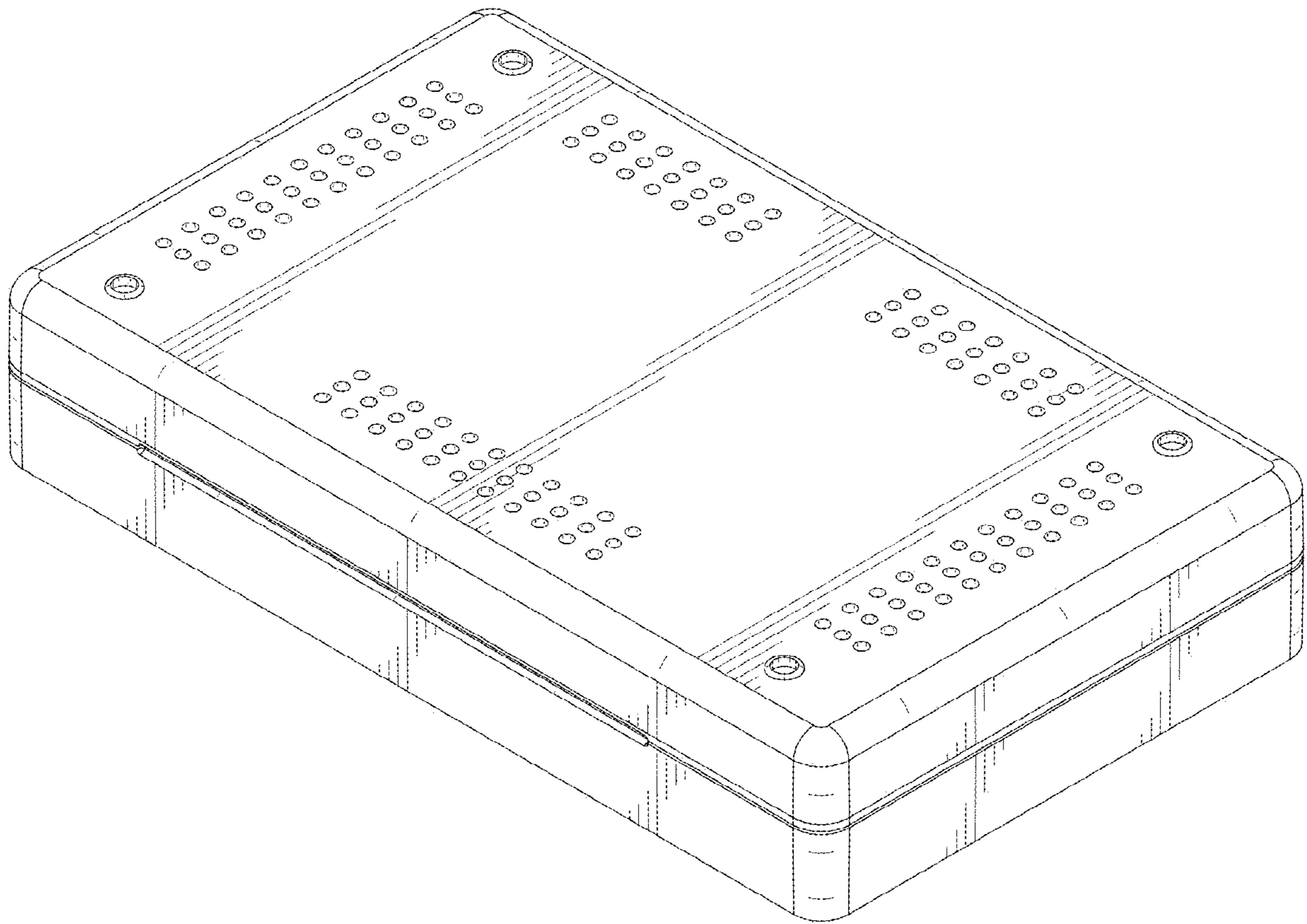


FIG.8

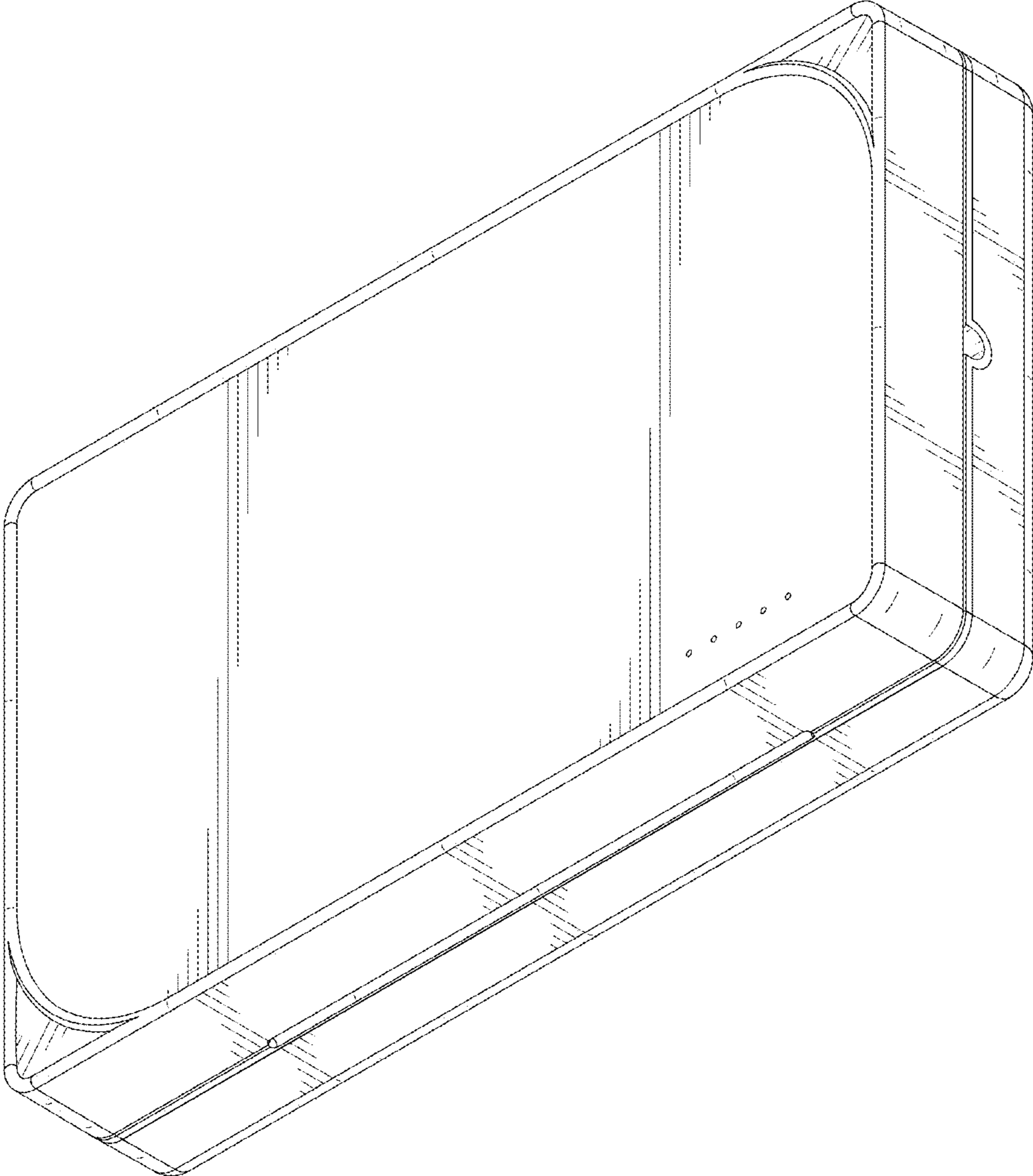


FIG.9

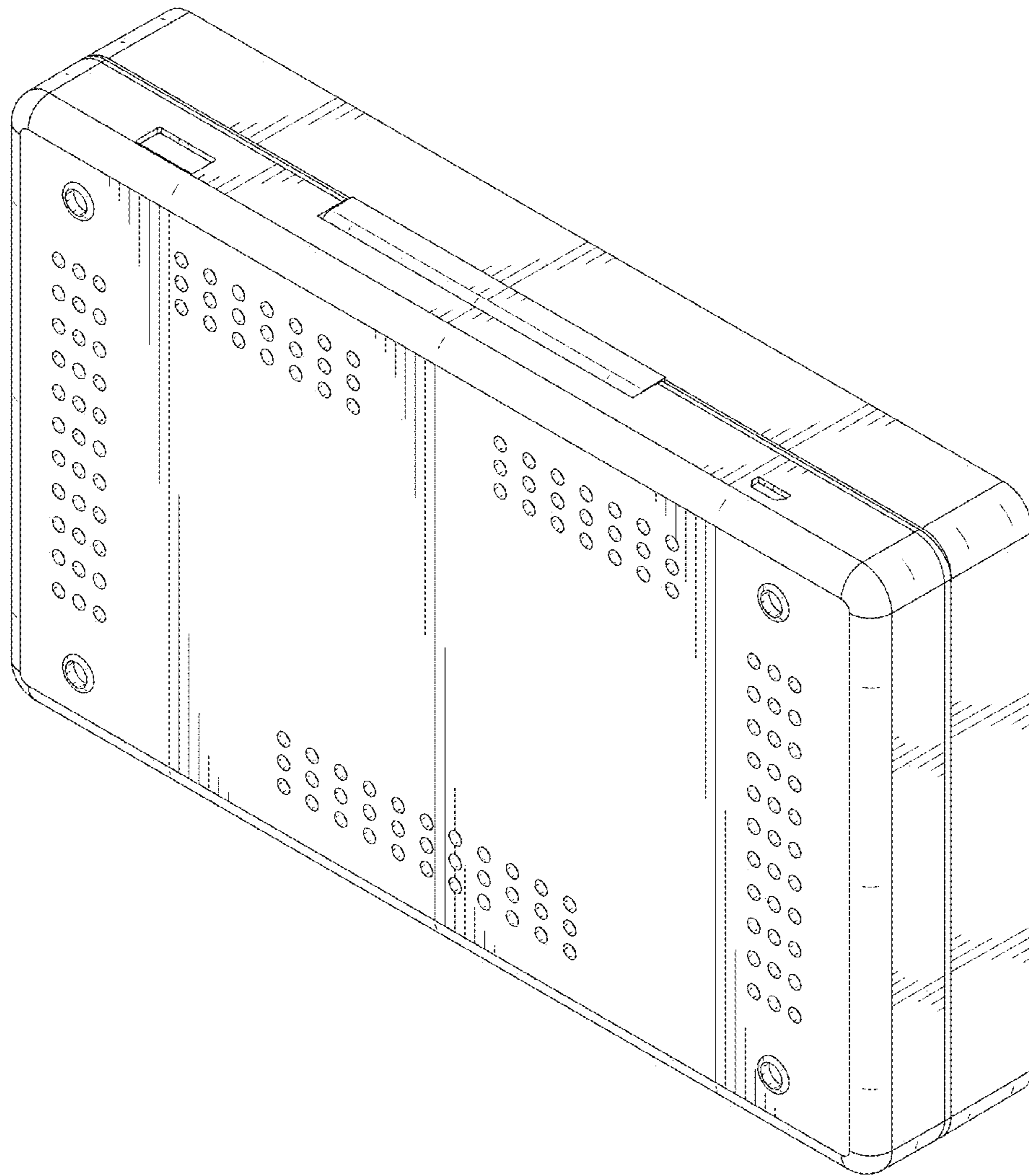


FIG.10