



US00D885599S

(12) **United States Design Patent**
Guerizec

(10) **Patent No.:** **US D885,599 S**

(45) **Date of Patent:** **** May 26, 2020**

(54) **MODULAR STICK**

(71) Applicant: **DECATHLON**, Villeneuve d'Ascq
(FR)

(72) Inventor: **Johann Guerizec**, Faches-Thumesnil
(FR)

(73) Assignee: **DECATHLON**, Villeneuve d'Ascq

(**) Term: **15 Years**

(21) Appl. No.: **29/653,506**

(22) Filed: **Jun. 15, 2018**

(30) **Foreign Application Priority Data**

Dec. 19, 2017 (EM) 004556116

(51) **LOC (12) Cl.** **28-03**

(52) **U.S. Cl.**
USPC **D24/211**

(58) **Field of Classification Search**

USPC D24/200, 208, 211, 212, 214, 215, 231;
D21/662

CPC A61H 19/30; A61H 19/32; A61H 19/34;
A61H 19/40; A61H 19/44; A61H 15/00;
A61H 15/0092; A61H 7/001; A61H
2015/0014; A61H 2015/0028; A61H
2201/169

See application file for complete search history.

(56) **References Cited**

U.S. PATENT DOCUMENTS

D399,569 S * 10/1998 Wier D24/212
D405,888 S * 2/1999 Antoskow D24/211
D688,756 S * 8/2013 Wauldron D21/662

D713,050 S * 9/2014 Kao A61H 15/00
D24/211

D804,048 S * 11/2017 Winkley D24/215
2015/0283023 A1 * 10/2015 Phillips A61H 15/0092
601/118

OTHER PUBLICATIONS

https://www.decathlon.com/products/running-modular-massage-stick-500?variant=8120244371567¤cy=USD&rnd=1&gclid=EALalQobChMlyYLhz5T85wIVxZyzCh16eQfzEAQYAyABEglZavD_BwE# Nov. 28, 2019 (Year: 2019).*

* cited by examiner

Primary Examiner — Derrick E Holland

(74) *Attorney, Agent, or Firm* — Fross, Zelnick, Lehrman & Zissu, PC; Charles T. J. Weigell, Esq.

(57) **CLAIM**

The ornamental design for a modular stick, as shown and described.

DESCRIPTION

FIG. 1 is a front perspective view of a modular stick showing my new design;

FIG. 2 is a front view thereof;

FIG. 3 is a back view thereof;

FIG. 4 is a left side view thereof;

FIG. 5 is a right side view thereof;

FIG. 6 is a top view thereof;

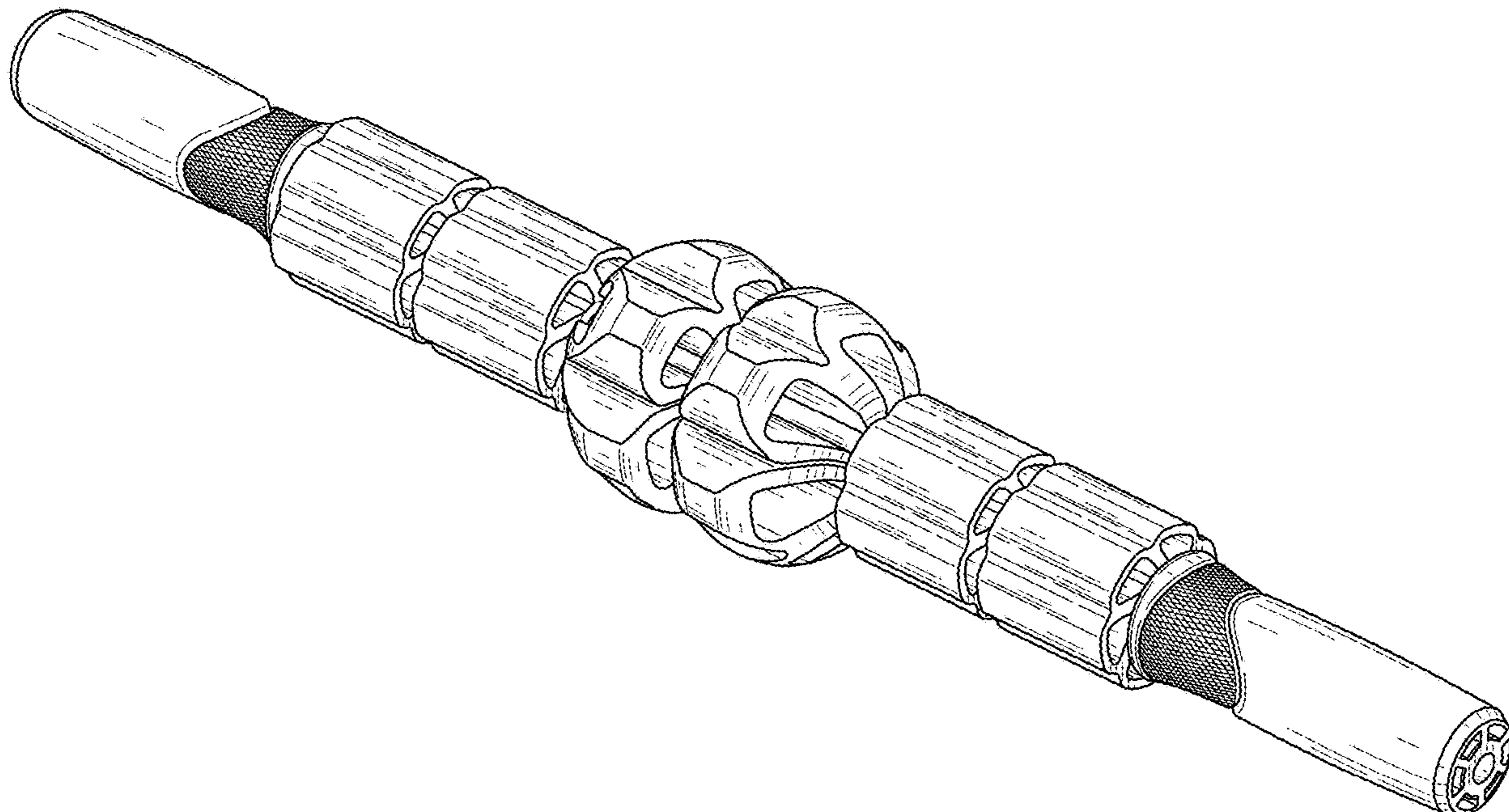
FIG. 7 is a bottom view thereof;

FIG. 8 is an exploded view thereof; and,

FIG. 9 is a cross-sectional view of the modular stick, as indicated in FIG. 4.

The broken lines shown represent environment structure and form no part of the claimed design.

1 Claim, 6 Drawing Sheets



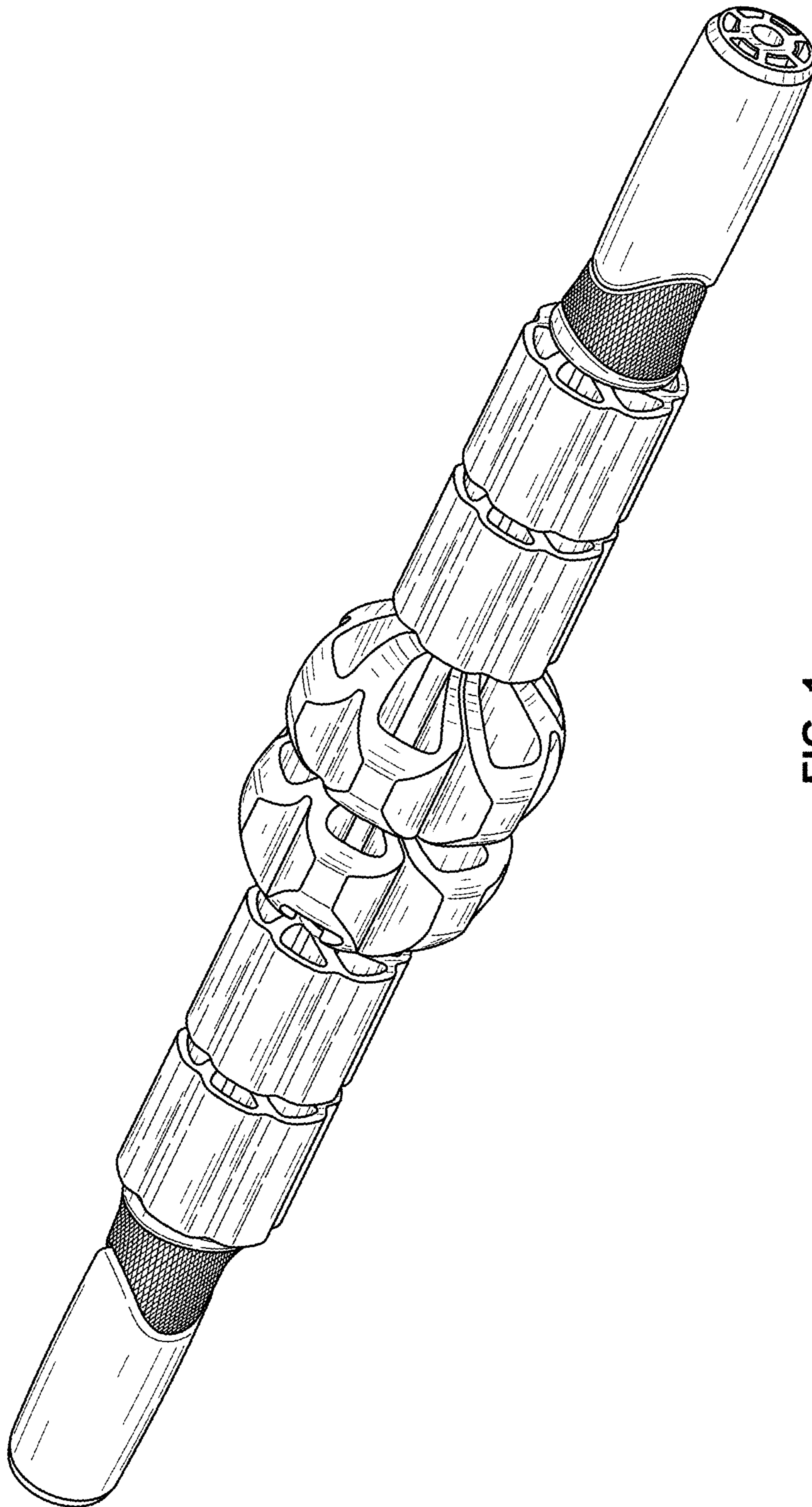


FIG. 1

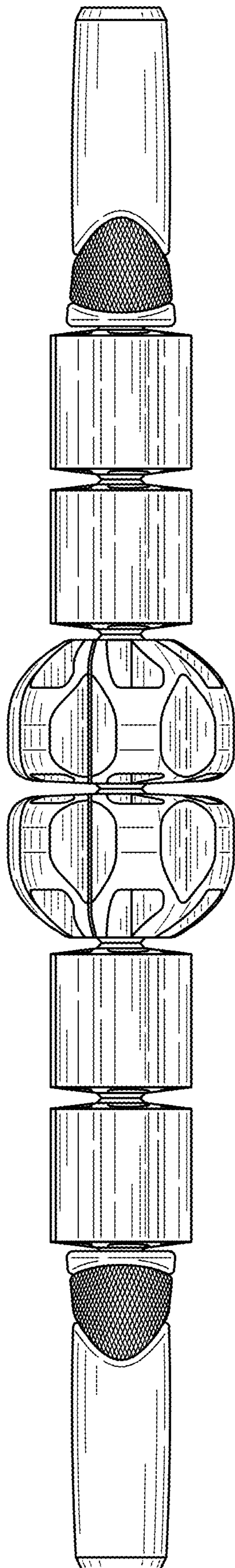


FIG. 2

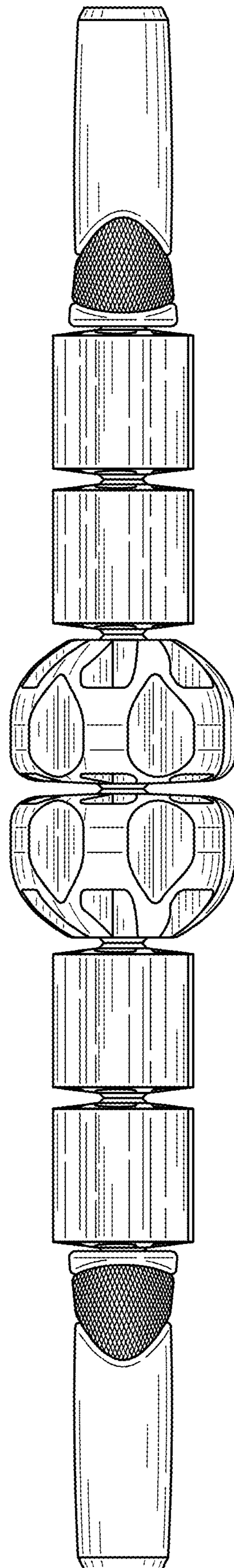


FIG. 3

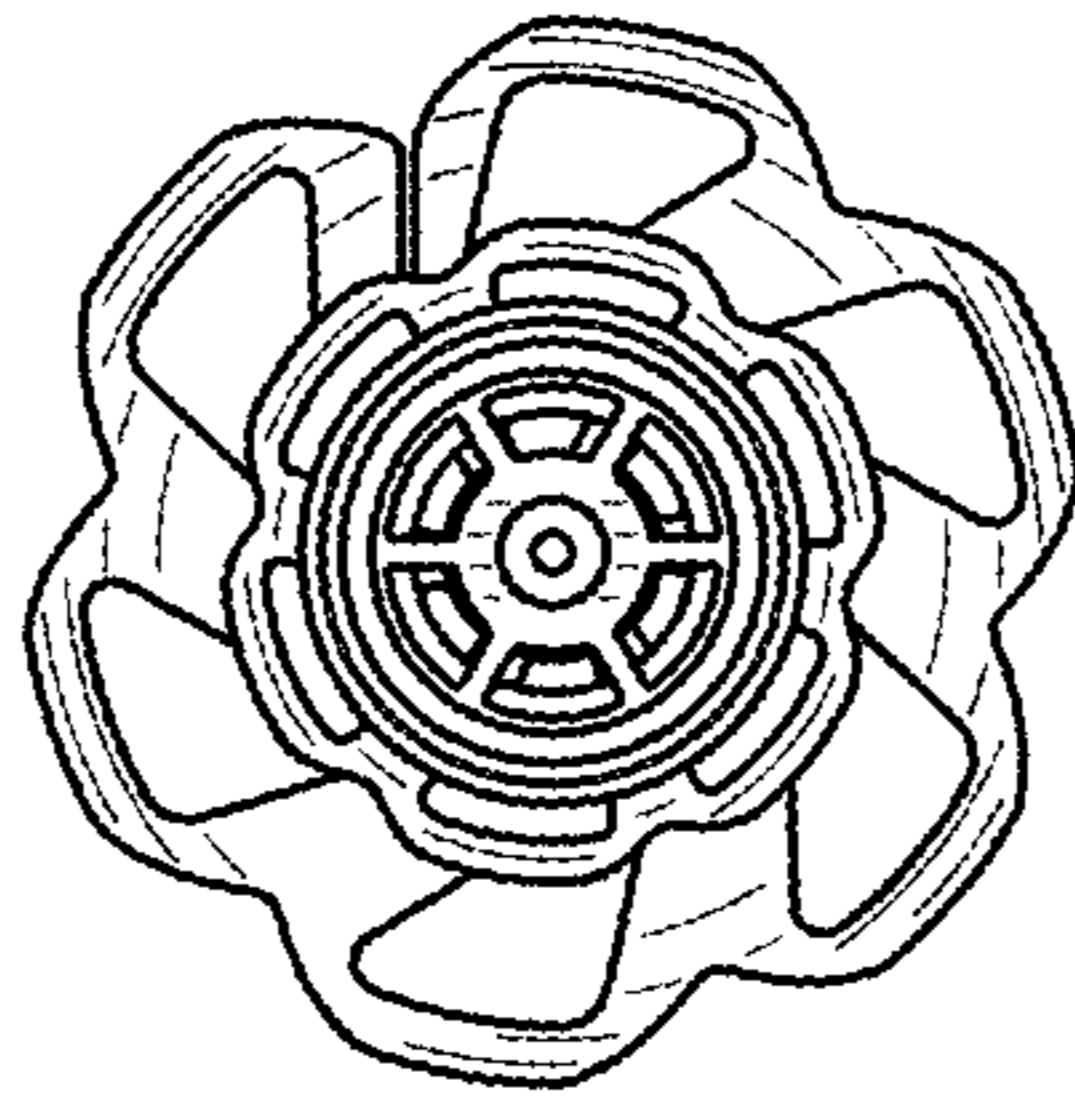


FIG. 5

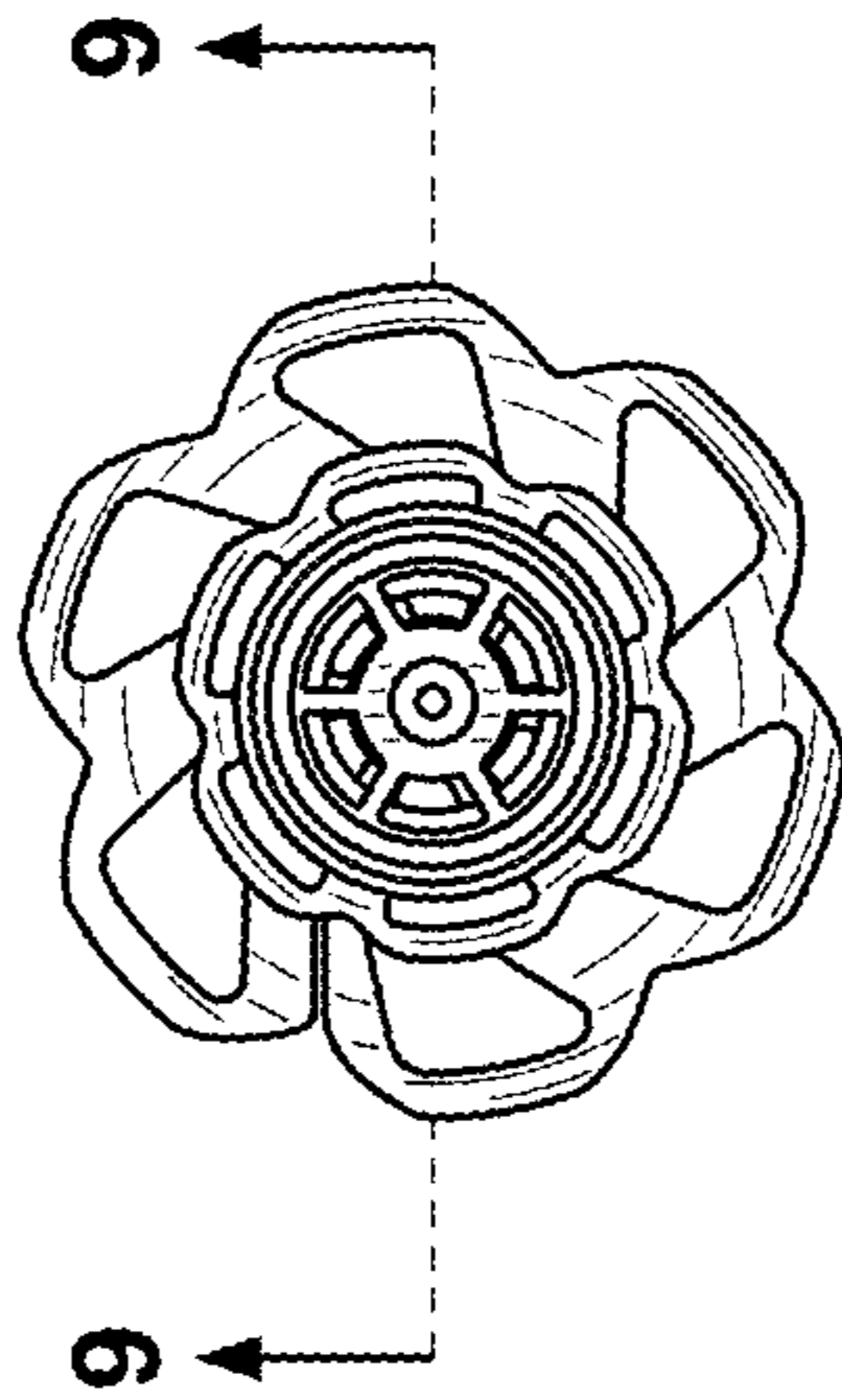


FIG. 4

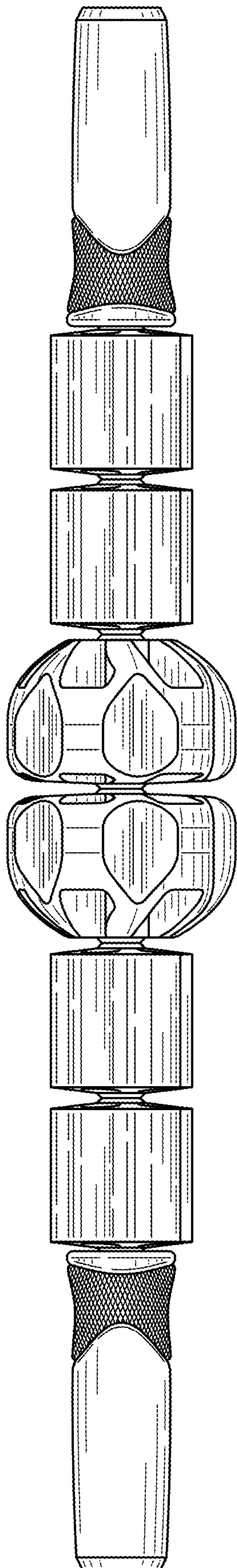


FIG. 6

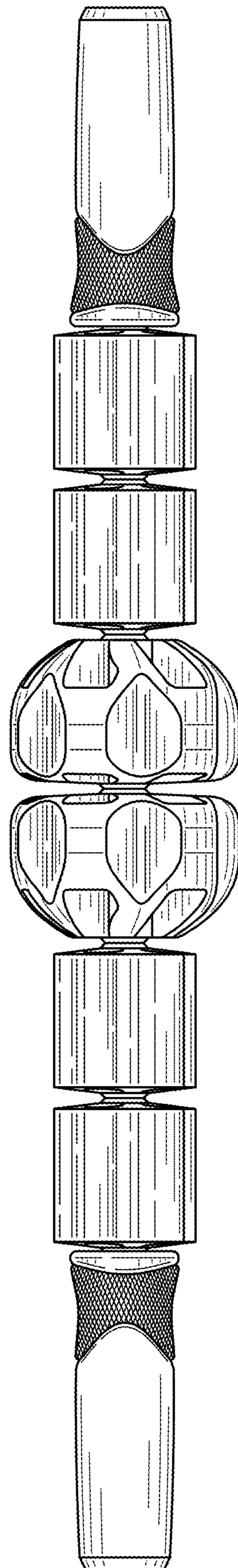


FIG. 7

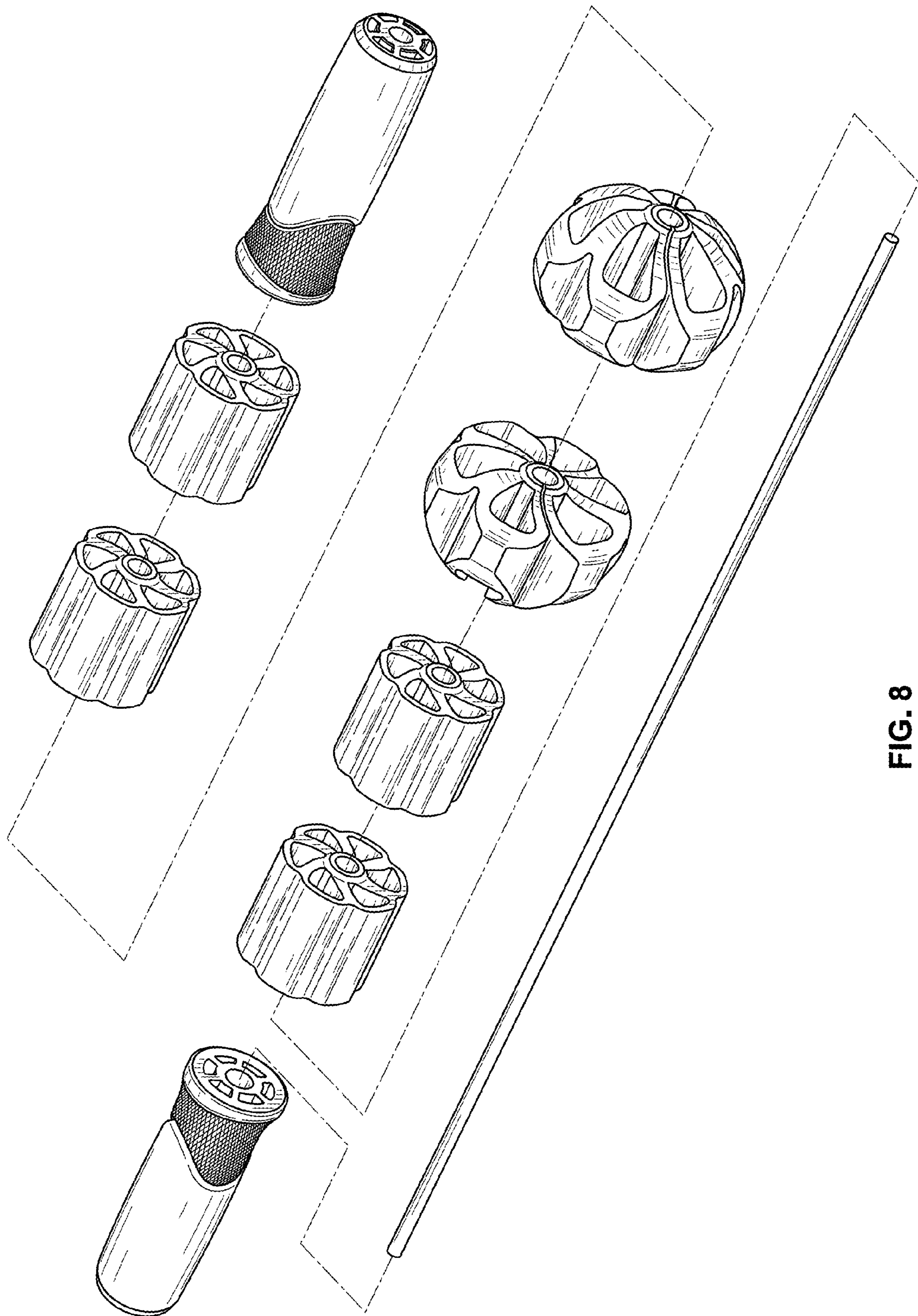


FIG. 8

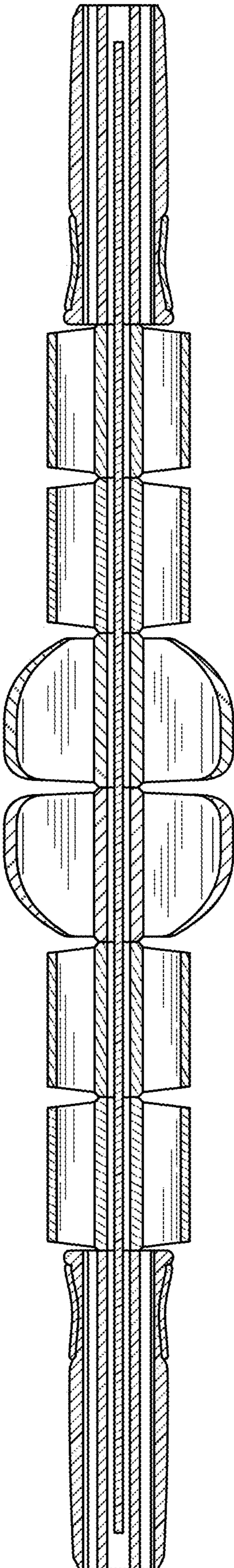


FIG. 9