



US00D885591S

(12) **United States Design Patent** (10) **Patent No.:** **US D885,591 S**  
**Dunmore** (45) **Date of Patent:** **\*\* May 26, 2020**

(54) **FASTENER FOR AN ORTHOPEDIC BRACE**

(71) Applicant: **Sur-Lock, LLC**, Hendersonville, NC (US)

(72) Inventor: **Kristie Ferree Dunmore**, Hendersonville, NC (US)

(73) Assignee: **Sur-Lock, LLC**, Hendersonville, NC (US)

(\*\*) Term: **15 Years**

(21) Appl. No.: **29/701,880**

(22) Filed: **Aug. 15, 2019**

**Related U.S. Application Data**

(63) Continuation-in-part of application No. 29/666,750, filed on Oct. 16, 2018.

(51) **LOC (12) Cl.** ..... **24-04**

(52) **U.S. Cl.**  
USPC ..... **D24/190**

(58) **Field of Classification Search**  
USPC ..... D24/188, 189, 190; D29/120.1, 121.1  
CPC ..... A61H 9/0078; A61H 2209/00; A61H 2205/106; A61H 2201/1697; A61H 9/0092; A61H 2205/10; A61F 13/085; A61F 5/0123; A61F 5/0106; A61F 5/0109; A61F 2005/0176  
See application file for complete search history.

(56) **References Cited**

**U.S. PATENT DOCUMENTS**

D337,425 S \* 7/1993 Hatfield ..... D2/973  
D417,959 S \* 12/1999 Albaugh, III ..... D3/265  
7,695,444 B1 \* 4/2010 Simmons ..... A61F 5/445  
128/100.1

D621,053 S \* 8/2010 Kase ..... D24/189  
D621,518 S \* 8/2010 Arbesman ..... D24/189  
D635,267 S \* 3/2011 Chiang ..... D24/190  
D638,546 S \* 5/2011 Janzon ..... D24/190  
D639,963 S \* 6/2011 Kase ..... D24/189  
8,048,013 B2 11/2011 Ingimundarson et al.  
D733,894 S \* 7/2015 Ortega ..... D24/190  
D750,790 S \* 3/2016 Ortega ..... D24/190  
D787,690 S \* 5/2017 Mackay ..... D24/189  
D809,149 S \* 1/2018 Tsuzuranuki ..... D24/190  
RE47,100 E \* 10/2018 Smith ..... D24/189  
D854,173 S \* 7/2019 Violeau ..... D24/190

\* cited by examiner

*Primary Examiner* — Jennifer L Watkins

(74) *Attorney, Agent, or Firm* — William G. Heedy; The Van Winkle Law Firm

(57) **CLAIM**

The ornamental design for a fastener for an orthopedic brace, as shown and described.

**DESCRIPTION**

FIG. 1 is a perspective view of a design for a fastener for an orthopedic brace.

FIG. 2 is a front elevational view thereof.

FIG. 3 is a rear elevational view thereof.

FIG. 4 is a left side elevational view thereof.

FIG. 5 is a right side elevational view thereof.

FIG. 6 is a top plan view thereof.

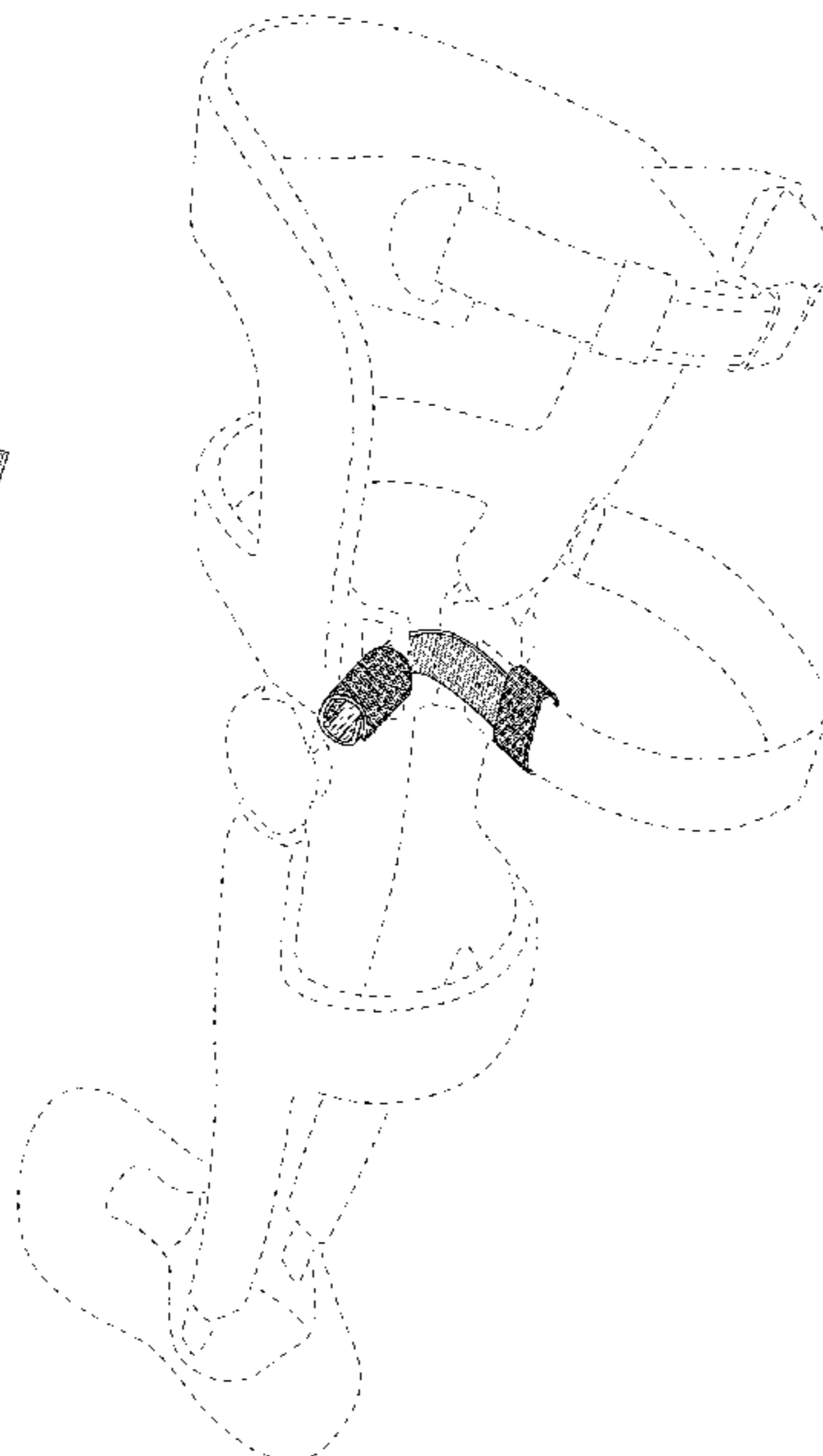
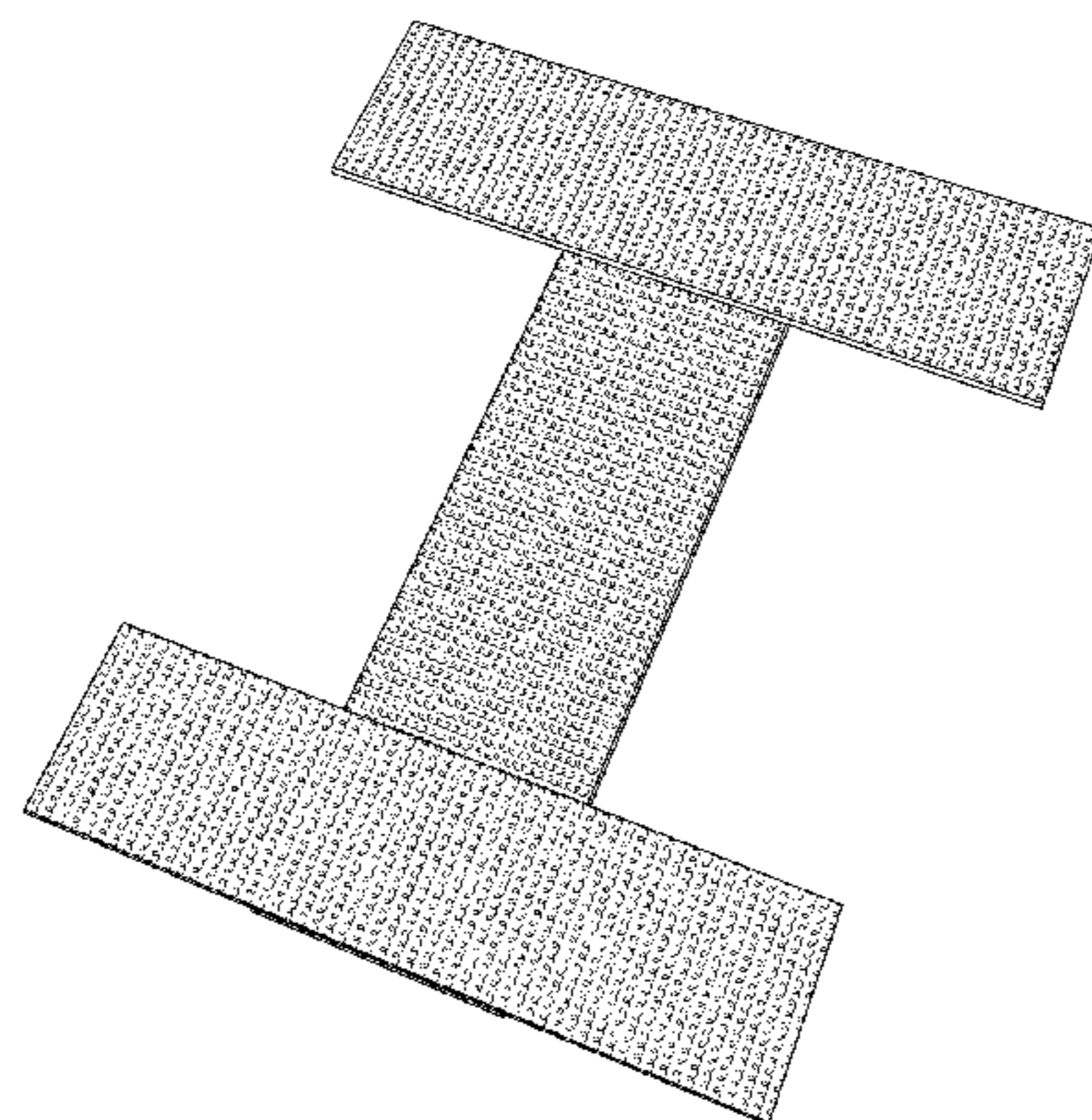
FIG. 7 is a bottom plan view thereof.

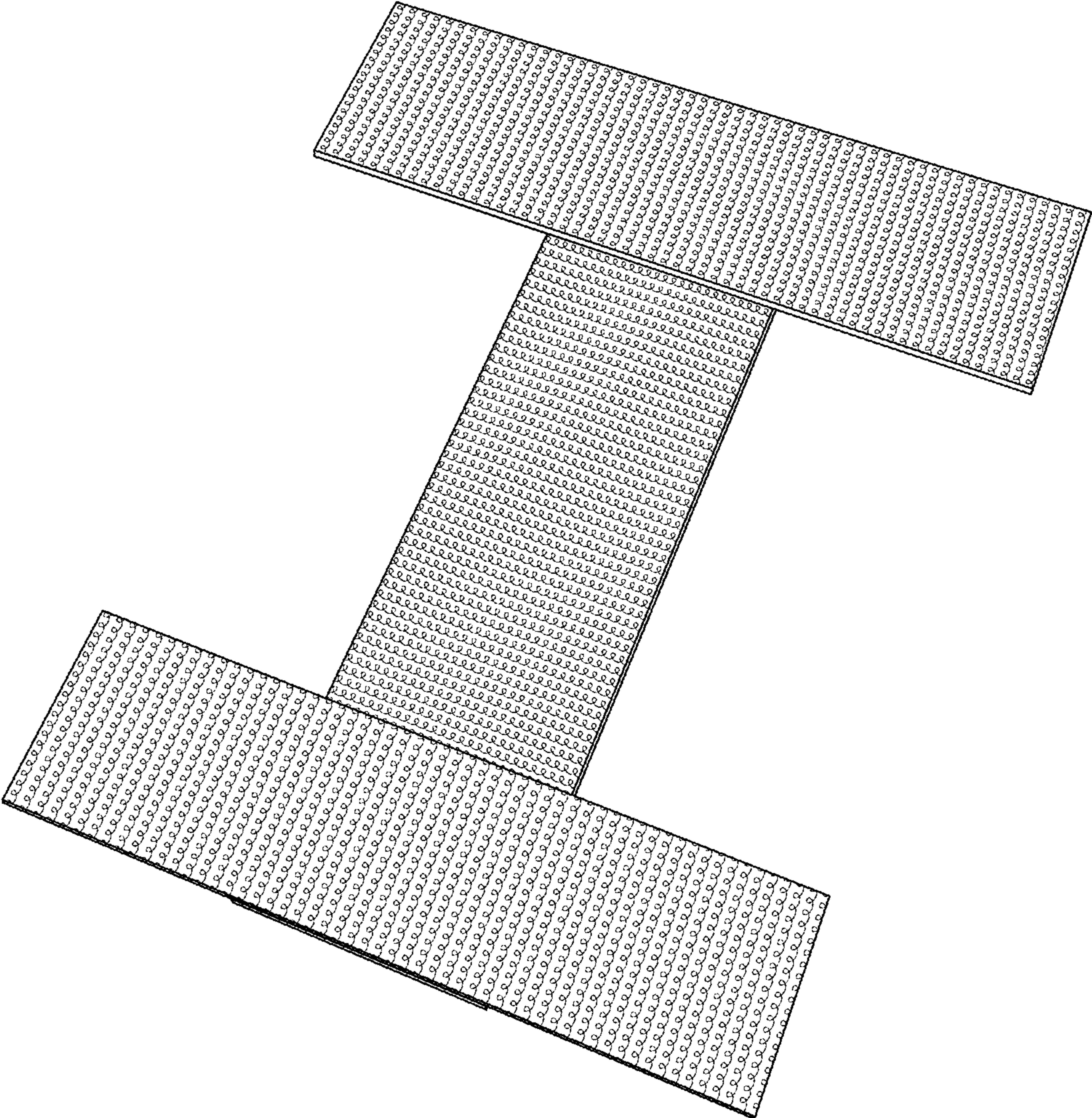
FIG. 8 is a perspective view thereof.

FIG. 9 is a perspective view thereof in a position of use; and, FIG. 10 is another perspective view thereof in an alternate position of use.

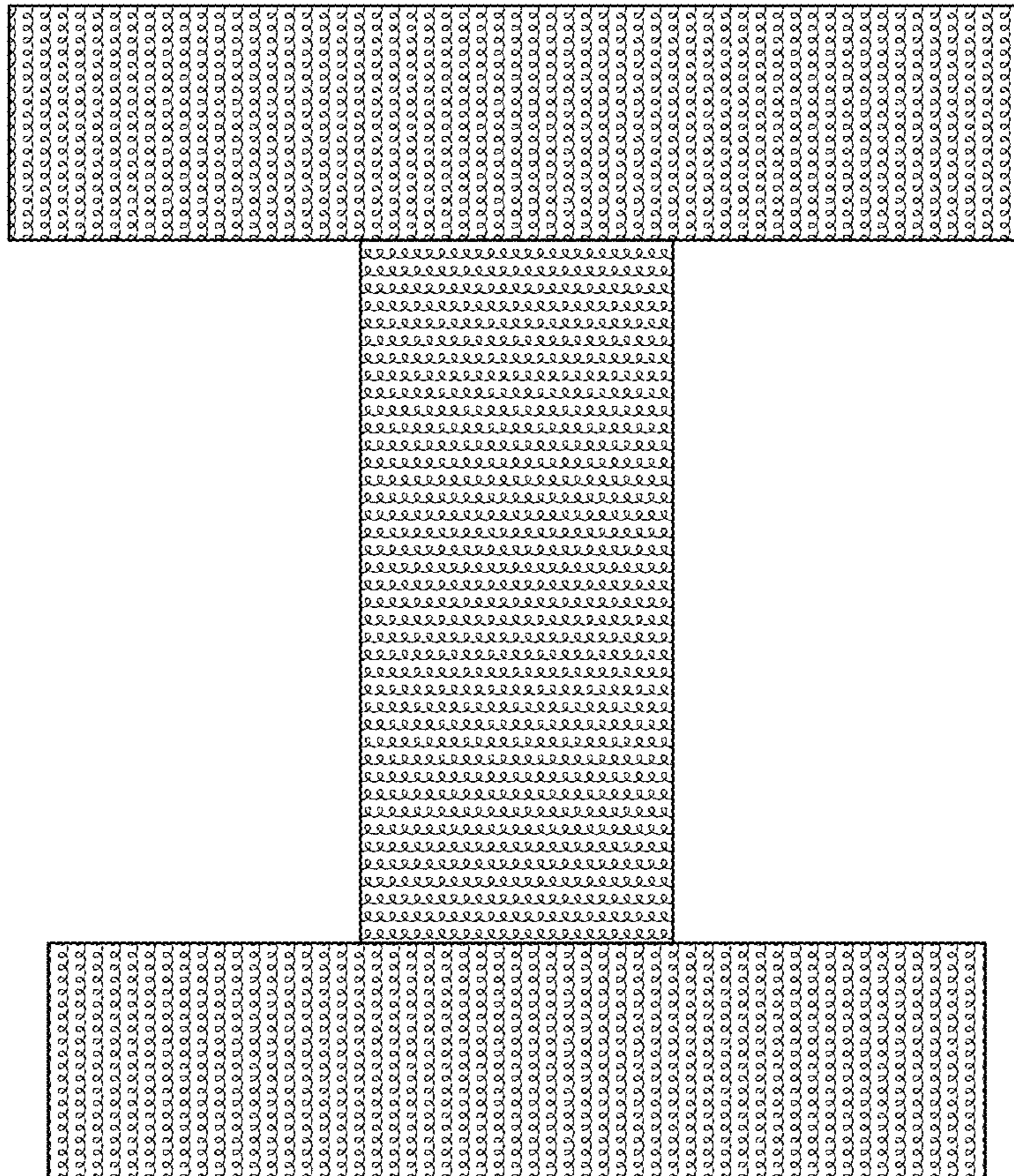
In the drawings, the broken lines showing an orthopedic brace in FIG. 9 and FIG. 10 are for the purpose of depicting environment and form no part of the claim.

**1 Claim, 8 Drawing Sheets**

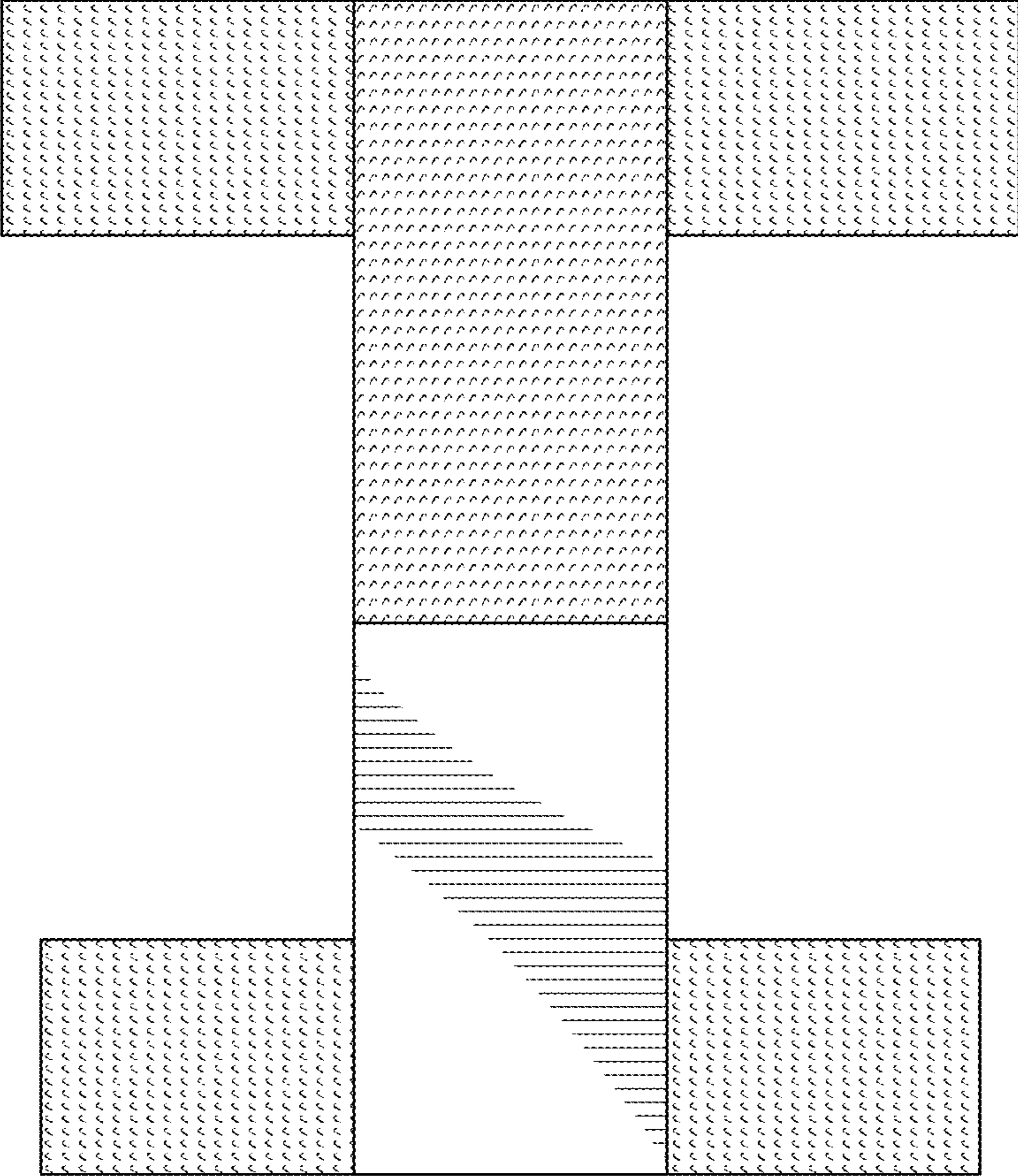




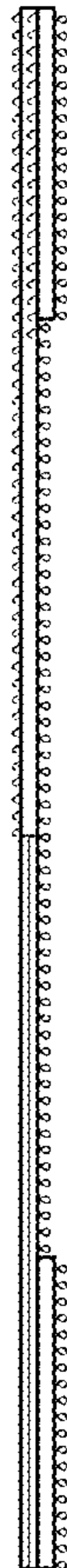
**FIG. 1**



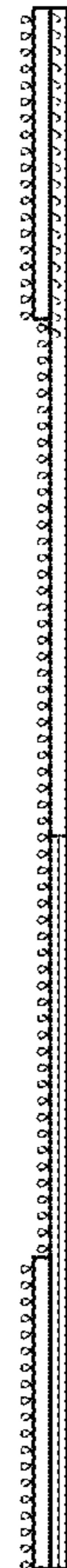
**FIG. 2**



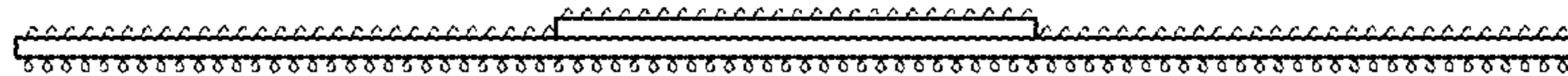
**FIG. 3**



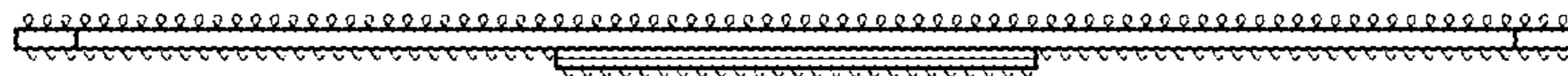
**FIG. 4**



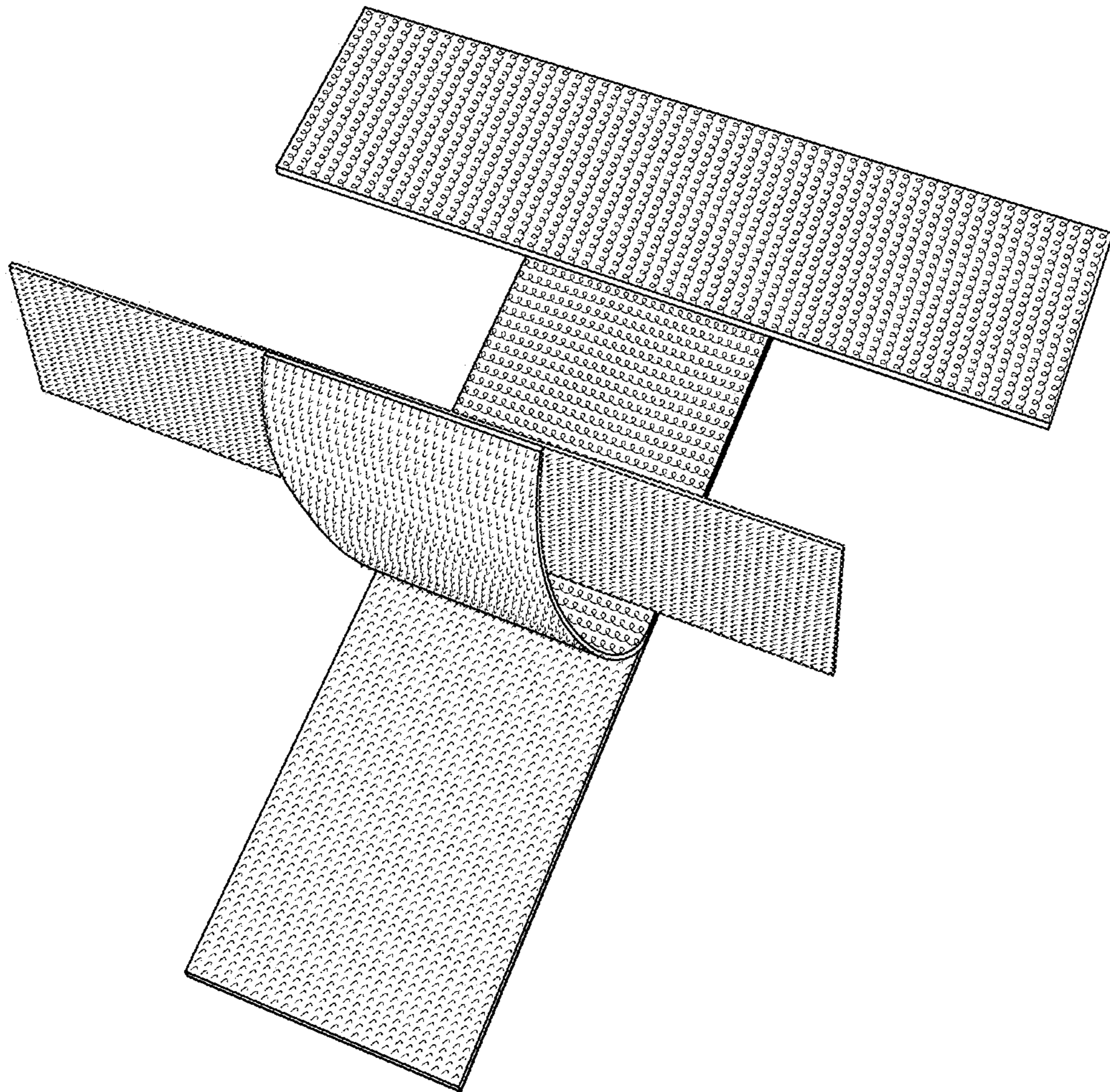
**FIG. 5**



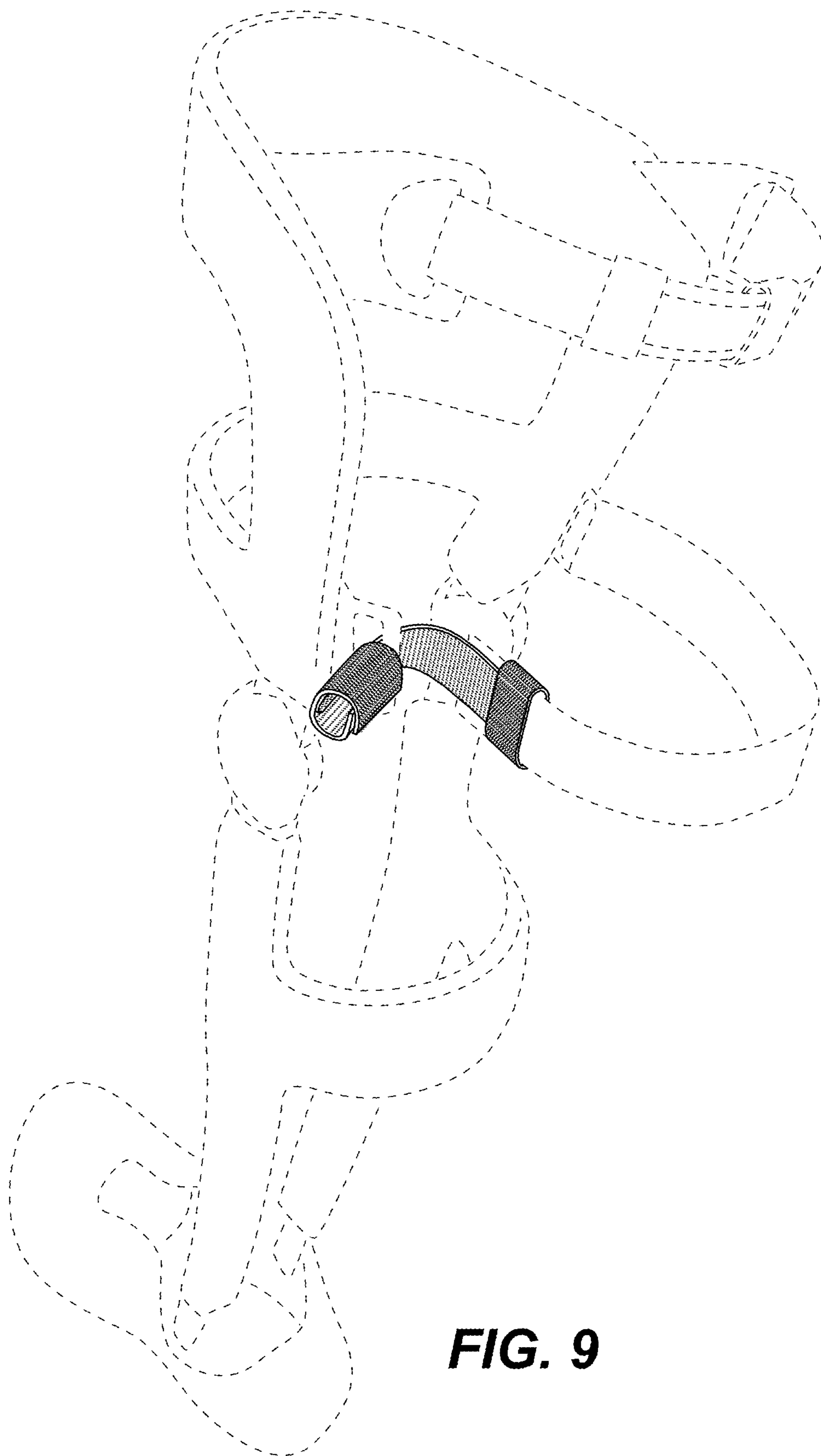
**FIG. 6**



**FIG. 7**

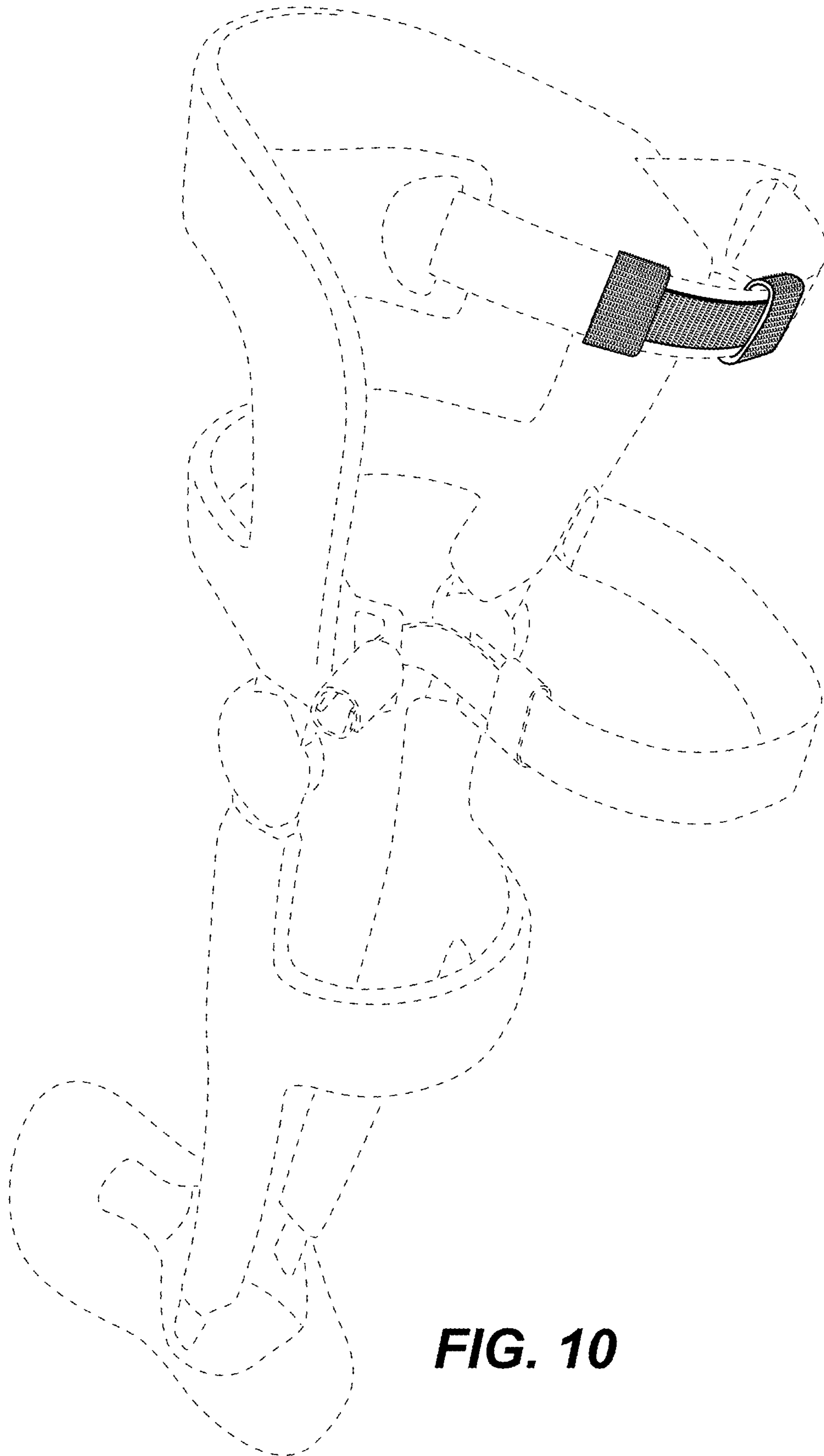


**FIG. 8**



**FIG. 9**





**FIG. 10**