



US00D885589S

(12) **United States Design Patent** (10) **Patent No.:** **US D885,589 S**
Marcil (45) **Date of Patent:** **** May 26, 2020**

(54) **PATIENT KNEE CUSHION SET**

- (71) Applicant: **Elekta LTD.**, Montreal (CA)
- (72) Inventor: **Francois Marcil**, Montreal (CA)
- (73) Assignee: **Elekta LTD.**, Montreal, Quebec (CA)
- (**) Term: **15 Years**
- (21) Appl. No.: **29/635,186**
- (22) Filed: **Jan. 29, 2018**
- (51) **LOC (12) Cl.** **24-02**
- (52) **U.S. Cl.**
USPC **D24/190**
- (58) **Field of Classification Search**
USPC D24/190-192, 184, 188; D29/120.1,
D29/121.1, 122, 121.2
CPC A61F 5/0111; A61F 5/0127; A61F 13/066;
A61F 2/6607
See application file for complete search history.

(56) **References Cited**

U.S. PATENT DOCUMENTS

D264,874 S	6/1982	Augustsson et al.	
D286,073 S	10/1986	Russell	
D310,278 S *	8/1990	Quinlan	D29/120.1
D386,584 S	11/1997	Frei	
D393,069 S	3/1998	Jope	
D413,982 S *	9/1999	Swedberg	D24/183
D415,281 S *	10/1999	Swedberg	D24/183
5,980,828 A	11/1999	Mcclintock et al.	
D422,782 S *	4/2000	Kress	D2/961
D462,446 S	9/2002	Felix et al.	
D463,858 S	10/2002	Sherrod et al.	
D465,577 S	11/2002	Kato et al.	
D546,956 S *	7/2007	Buethorn	D24/190
D550,850 S *	9/2007	Buethorn	D24/192

(Continued)

FOREIGN PATENT DOCUMENTS

CN	201430561052	*	12/2014
CN	110090363		8/2019
WO	WO-2014018983 A1		1/2014

OTHER PUBLICATIONS

Bionix Radiation Therapy, "Comfort Hold Foot Positioner RT-6030-30-03", [Online]. Retrieved from the Internet: <URL: www.BionixRT.com>, 2 pgs.

(Continued)

Primary Examiner — Susan Bennett Hattan

Assistant Examiner — Omeed Agilee

(74) *Attorney, Agent, or Firm* — Schwegman Lundberg & Woessner, P.A.; Sanjay Agrawal

(57) **CLAIM**

The ornamental design for a patient knee cushion set, as shown and described.

DESCRIPTION

FIG. 1 is a perspective view of the right element of a patient knee cushion set incorporating the design.

FIG. 2 is a top view thereof.

FIG. 3 is a bottom view thereof.

FIG. 4 is a right-side view thereof.

FIG. 5 is a left-side view thereof.

FIG. 6 is a front view thereof.

FIG. 7 is a back view thereof.

FIG. 8 is a perspective view of the left element of a patient knee cushion set incorporating the design.

FIG. 9 is a top view thereof.

FIG. 10 is a bottom view thereof.

FIG. 11 is a right-side view thereof.

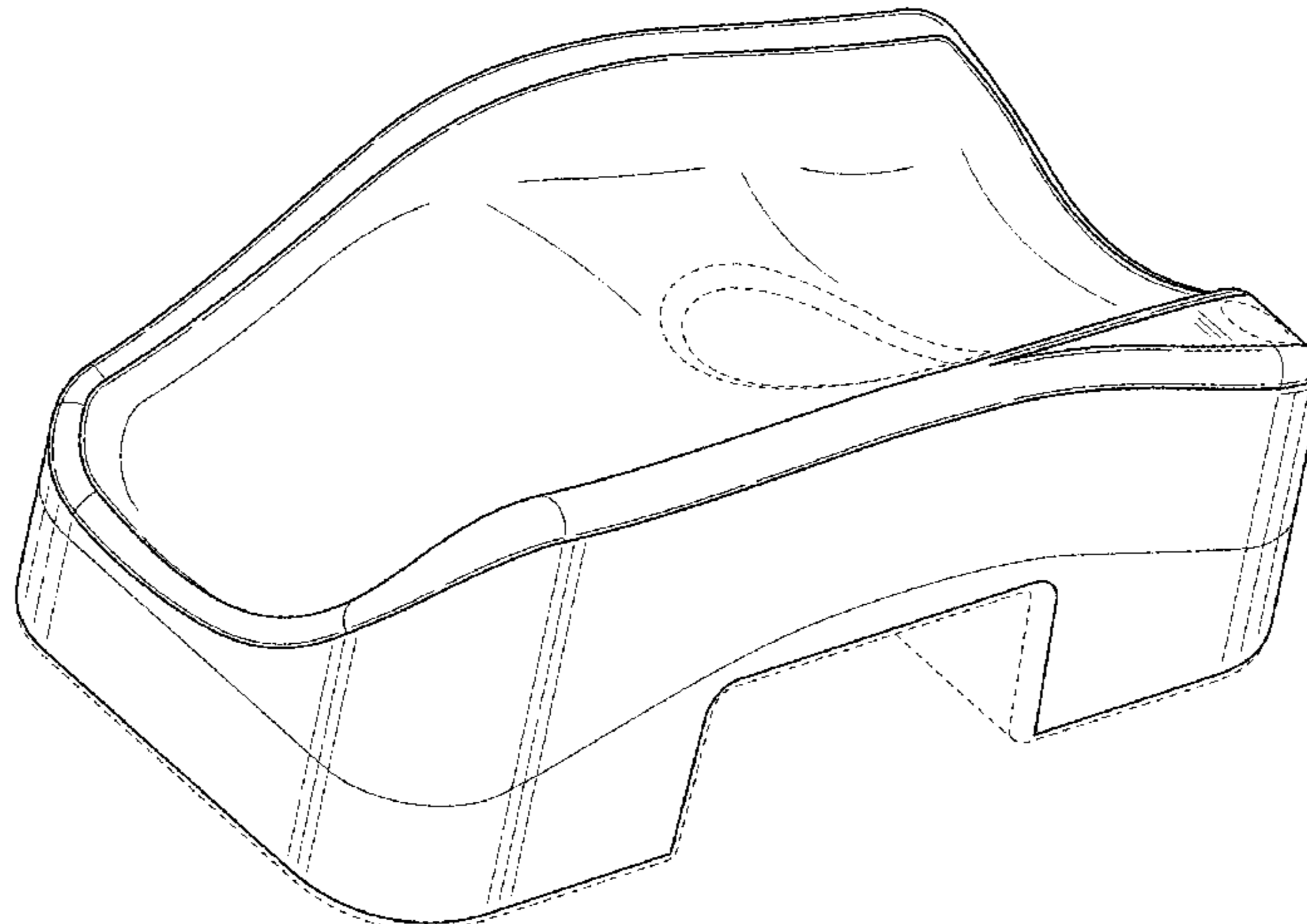
FIG. 12 is a left-side view thereof.

FIG. 13 is a front view thereof; and,

FIG. 14 is a back view thereof.

The broken lines shown in the drawings illustrate portions of the patient knee cushion set that form no part of the claimed design.

1 Claim, 12 Drawing Sheets



(56)

References Cited

U.S. PATENT DOCUMENTS

D551,353	S	*	9/2007	Buethorn	D24/192
D558,889	S		1/2008	Doll et al.		
D625,421	S	*	10/2010	Sharps	D24/184
D673,689	S		1/2013	Pierce et al.		
D690,016	S	*	9/2013	Ratner	D24/184
D709,180	S		7/2014	Rummery et al.		
D713,967	S		9/2014	Adoni		
D728,165	S		4/2015	Davis		
D744,641	S		12/2015	Aiken		
D791,951	S		7/2017	Henderson		
D794,205	S		8/2017	Naber et al.		
D800,911	S	*	10/2017	Diemer	D24/192
D804,045	S	*	11/2017	Epstein	D24/192
D810,300	S		2/2018	Parsons		
D814,646	S	*	4/2018	Maloney	D24/192
D816,833	S		5/2018	Parkhurst		
9,980,573	B2	*	5/2018	Bennetts	A47C 20/026
D833,623	S		11/2018	Naber et al.		
D834,205	S	*	11/2018	Ducharme	D24/192
D837,386	S	*	1/2019	Barber	D24/184
D837,392	S	*	1/2019	Wanner	D24/190
D869,666	S	*	12/2019	Michaud	D24/188
D872,864	S		1/2020	Marcil		
2005/0108899	A1	*	5/2005	Kielt	A43B 3/0063 36/71
2009/0308400	A1		12/2009	Wilson et al.		
2012/0117818	A1	*	5/2012	Slowik	A43B 7/141 36/44
2013/0110019	A1		5/2013	Hopman et al.		
2014/0298681	A1	*	10/2014	Epstein	A43B 13/146 36/43
2018/0250183	A1		9/2018	Zwierstra et al.		
2019/0231303	A1		8/2019	Marcil		
2019/0231304	A1		8/2019	Marcil		
2019/0231305	A1		8/2019	Marcil		
2019/0231306	A1		8/2019	Marcil		

OTHER PUBLICATIONS

CDR Systems, "CDR Systems Precision Positioning Systems", [Online]. Retrieved from the internet: <URL:www.cdrsys.ca>, 58 pgs.
 Klarity, "R634-LCF Leg Positioner Set-Up", [Online]. Retrieved from the Internet<URL: www.klaritymedical.com>, 1 pg.
 "U.S. Appl. No. 29/635,179, Non Final Office Action dated Apr. 19, 2019", 13 pgs.
 "U.S. Appl. No. 29/635,179, Response filed Jul. 19, 2019 to Non-Final Office Action dated Apr. 19, 2019", 6 pgs.
 "U.S. Appl. No. 29/635,182, Non Final Office Action dated Apr. 26, 2019", 11 pgs.
 "U.S. Appl. No. 29/635,182, Response filed Aug. 12, 2019 to Non Final Office Action dated Apr. 26, 2019", 5 pgs.

"U.S. Appl. No. 29/635,185, Non Final Office Action dated May 16, 2019", 16 pgs.
 "Chinese Application Serial No. 201910080350.6, Notification on Correction of Deficiencies dated Mar. 12, 2019", w/o English translation, 1 pg.
 "European Application Serial No. 19153998.0, Extended European Search Report dated Jun. 28, 2019", 11 pgs.
 "RayBoards for Butterfly Masks with L-Profiles", [Online] Retrieved from the Internet:<https://www.bcc.taipei/RTproducts/product_pp121a.html>, (accessed Mar. 19, 2019), 1.
 "Zephyr Patient Positioning and Transfer Systems", Orfit Industries, Retrieved from the Internet: <URL:https://www.orfit.com/radiation-oncology/products/zephyrpatient-positioning-and-transfer-systems/>, (May 30, 2017), 2 pgs.
 Camps, Saskia M, et al., "The Use of Ultrasound Imaging in the External Beam Radiotherapy Workflow of Prostate Cancer Patients", Biomed Research International, vol, (Jan. 1, 2018), 1-16.
 Elekta, "Clarity for Prostate Monitoring", Youtube, Retrieved from the Internet: <URL:https://www.youtube.com/watch?time_continue=35&v=htoFAd1ALw8>, (Sep. 22, 2015), 1 pg.
 Elekta, "Prostate Intra-Fractional Motion Management", Youtube, Retrieved from the Internet: <URL:https://www.youtube.com/watch?v=Qr8z5ELbQJw>, (Feb. 3, 2016), 1 pg.
 Lachaine, Martin, et al., "Intrafractional Prostate Motion Management With The Clarity Autoscan System", Medical Physics International Journal, (Jan. 1, 2013), 72.
 Zephyr, "Image Guided Braciylfiterapy with Zephyr MDR", Youtube, Retrieved from the Internet: URL:<https://www.youtube.com/watch?time_continue=111&v=SaKl8ceQirY>, (May 30, 2017), 1 pg.
 "U.S. Appl. No. 29/635,185, Response filed Aug. 14, 2019 to Non Final Office Action dated May 16, 2019", 5 pgs.
 "U.S. Appl. No. 29/635,182, Notice of Allowance dated Sep. 3, 2019", 7 pgs.
 "U.S. Appl. No. 29/635,179, Non Final Office Action dated Oct. 10, 2019", 15 pgs.
 "U.S. Appl. No. 29/635,185, Final Office Action dated Nov. 21, 2019".
 "U.S. Appl. No. 29/635,182, Corrected Notice of Allowability dated Dec. 11, 2019", 4 pgs.
 "U.S. Appl. No. 29/635,179, Response filed Jan. 6, 2020 to Non Final Office Action dated Oct. 10, 2019", 5 pgs.
 "European Application Serial No. 19153998.0, Response filed Jan. 31, 2020 to Extended European Search Report dated Jun. 28, 2019", 11 pgs.
 "U.S. Appl. No. 29/35,185, Response filed Feb. 17, 2020 to Final Office Action dated Nov. 21, 2019", 5 pgs.
 "U.S. Appl. No. 29/635,179, Final Office Action dated Mar. 27, 2020", 7 pgs.
 "U.S. Appl. No. 29/635,185, Notice of Allowance dated Mar. 27, 2020" 7 pgs.

* cited by examiner

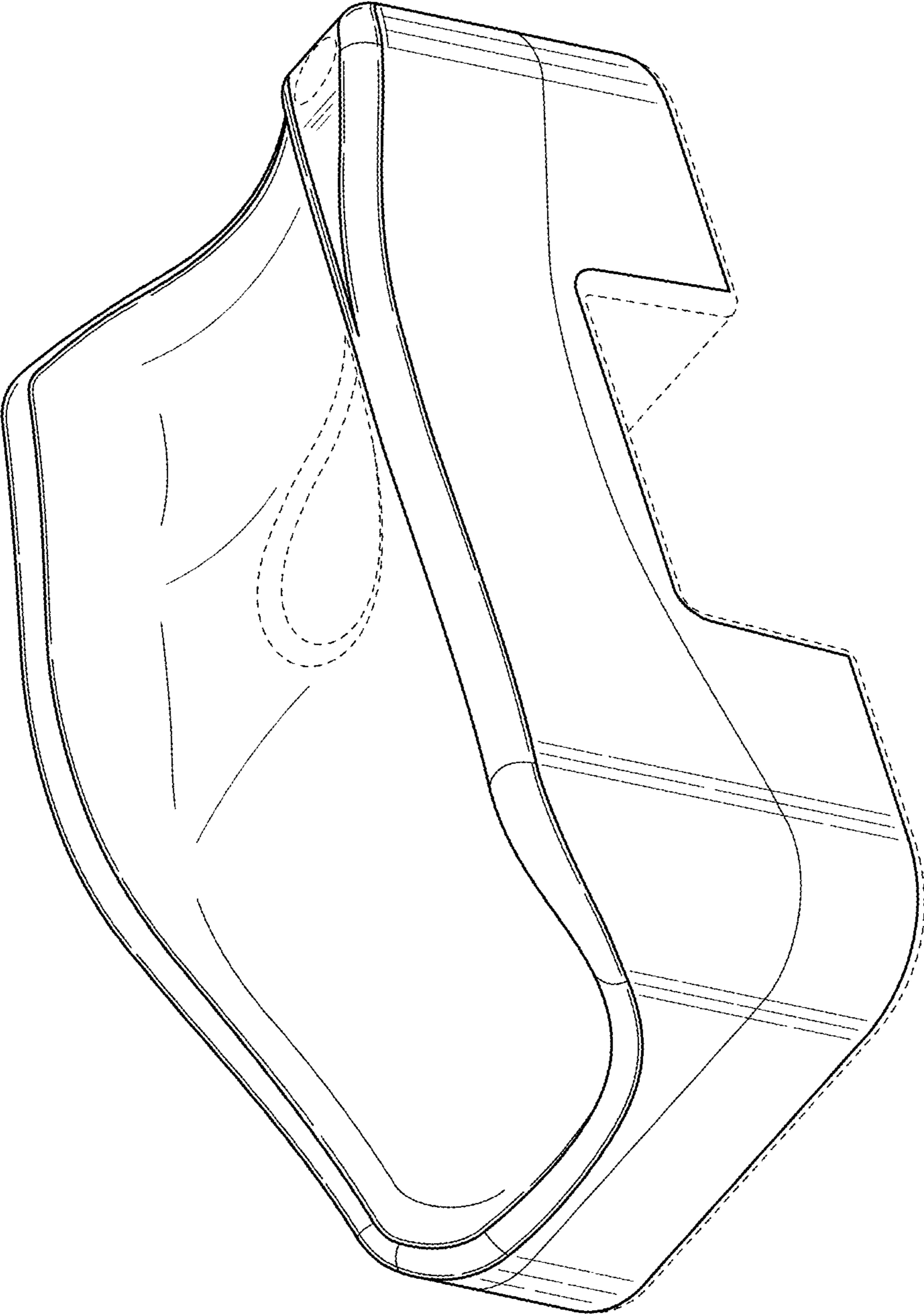


FIG. 1

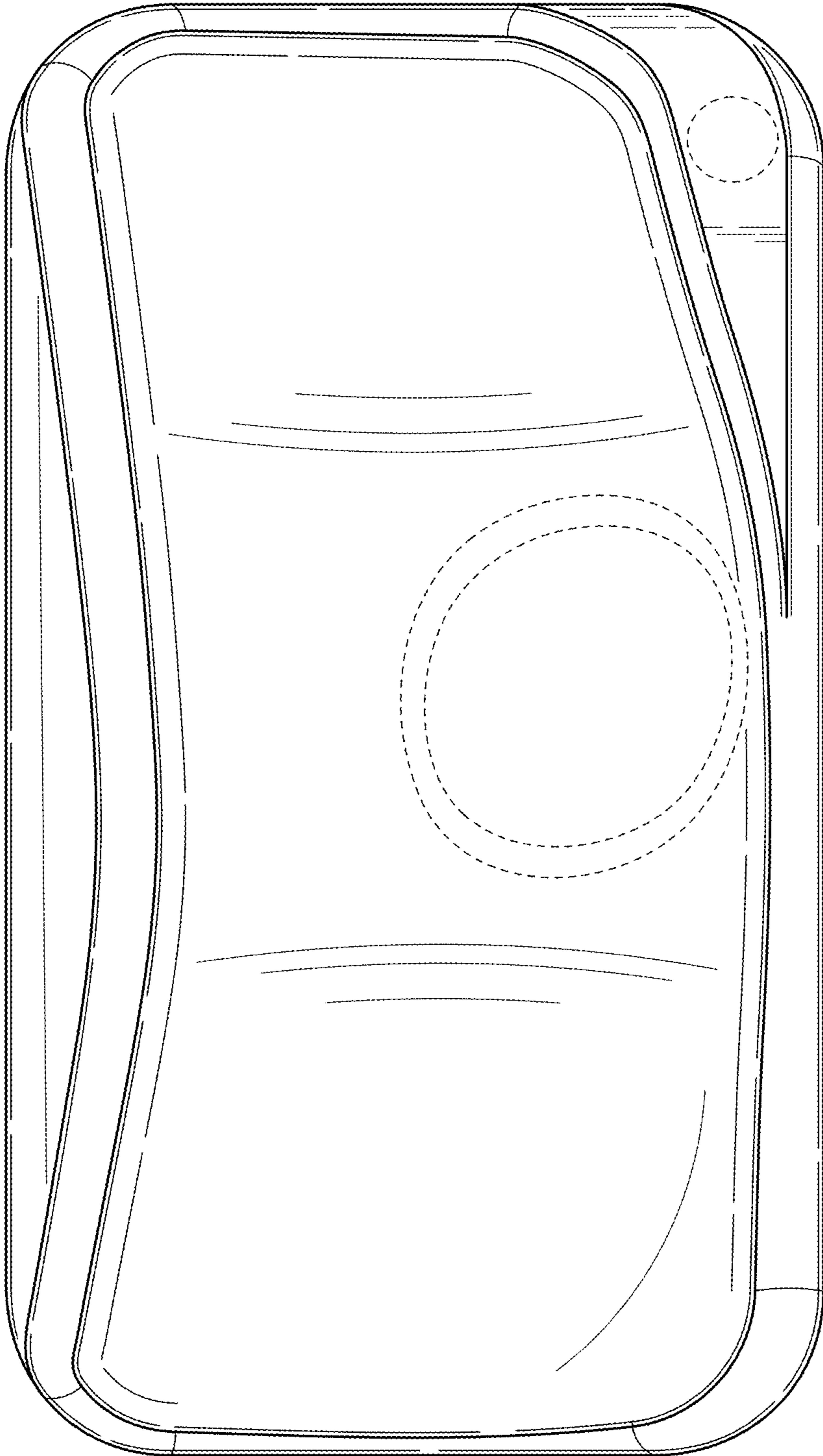


FIG. 2

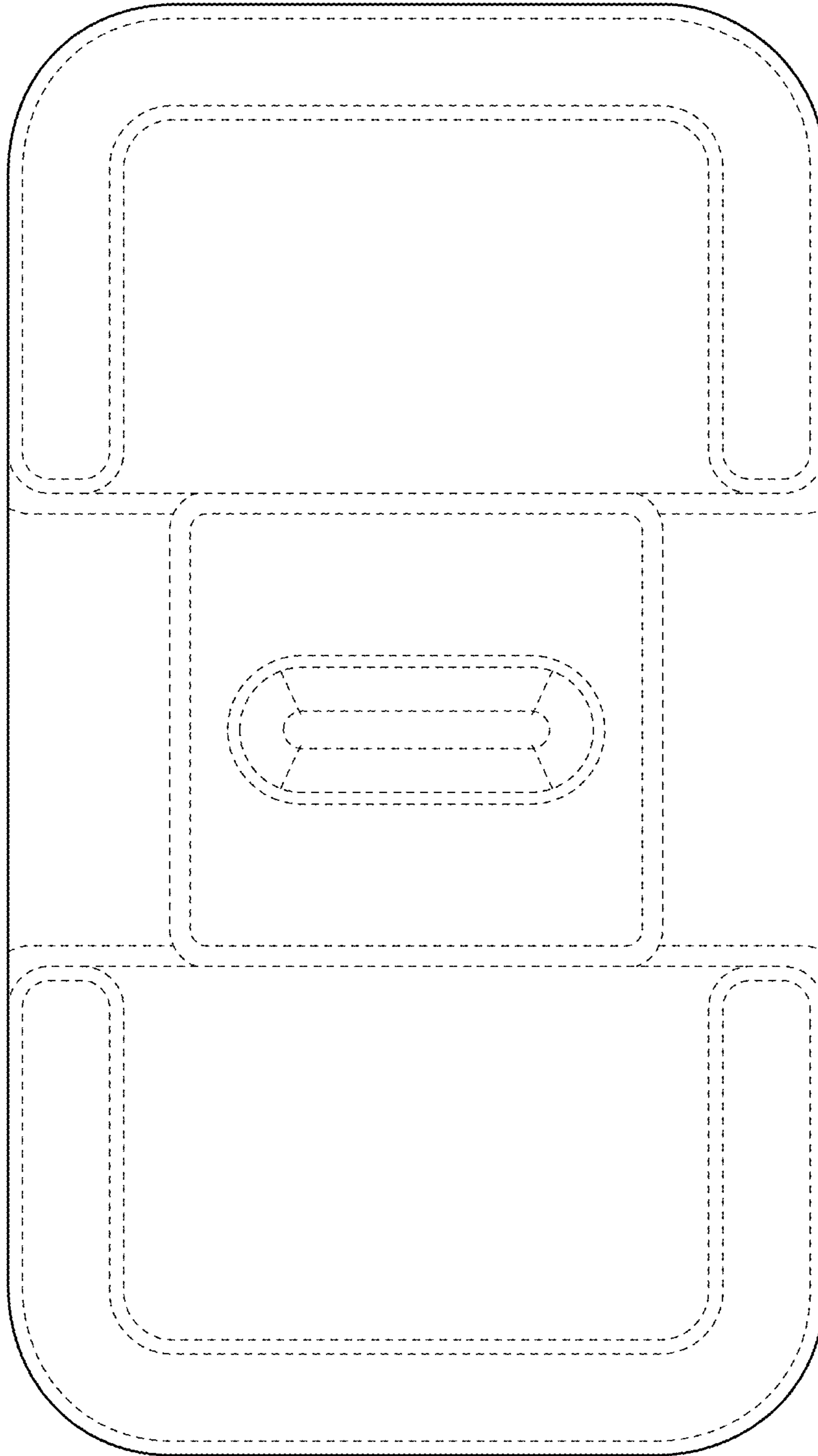


FIG. 3

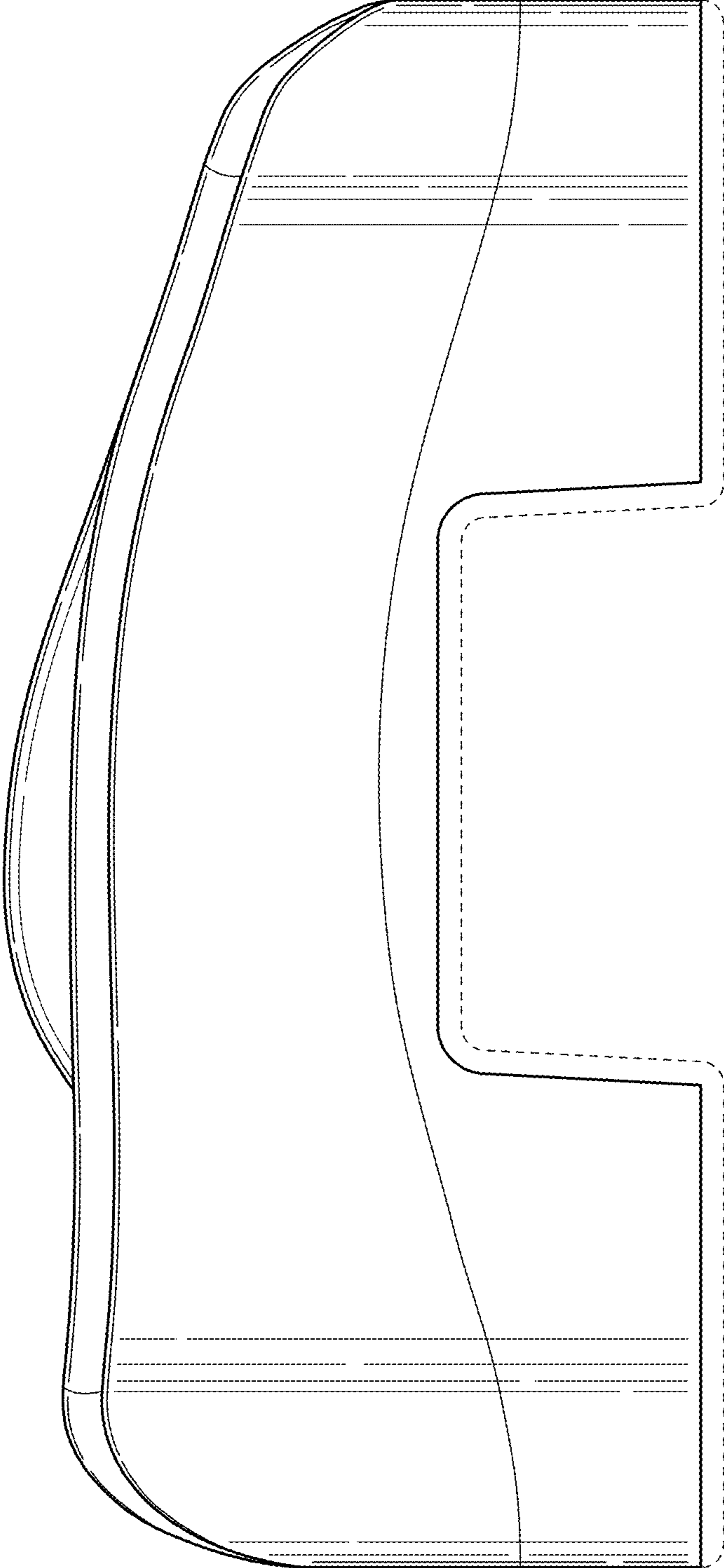


FIG. 4

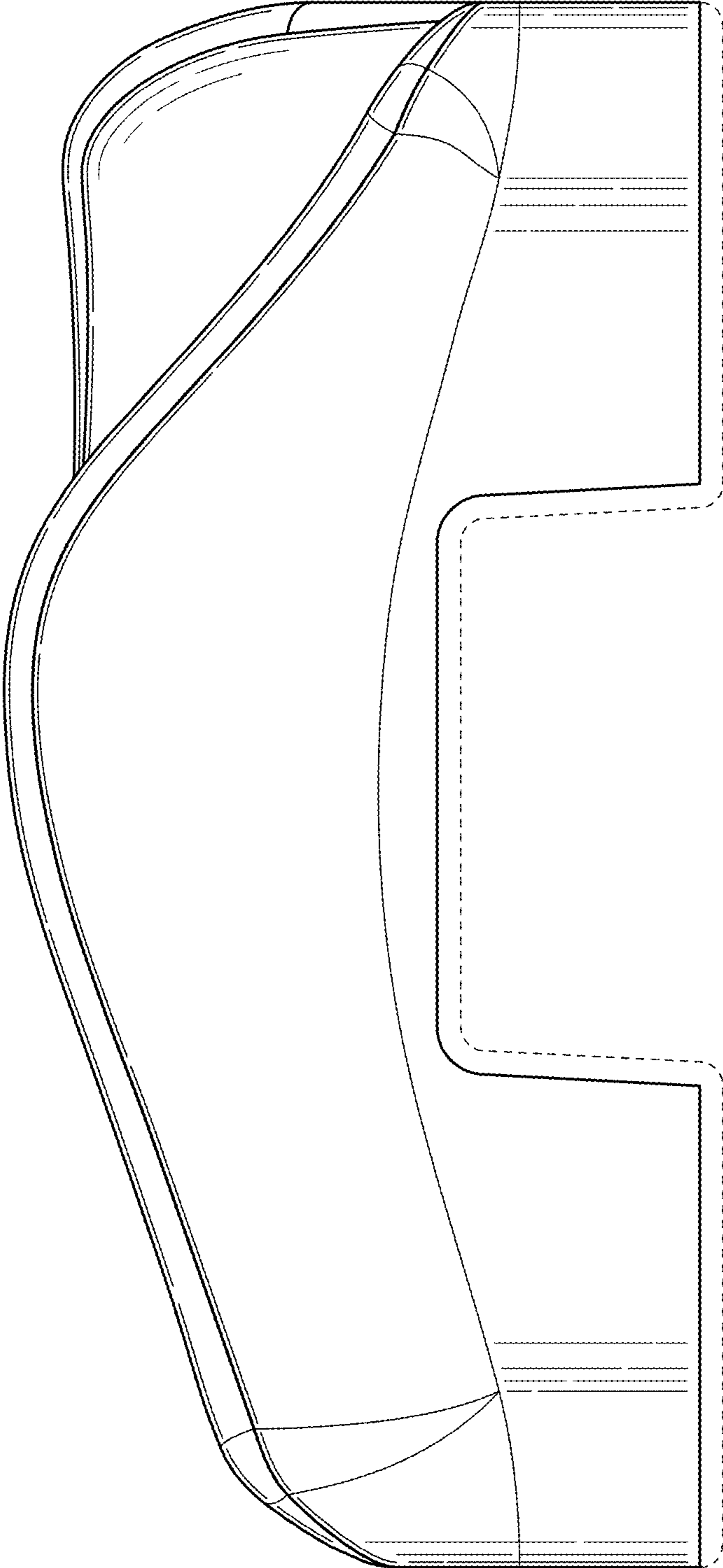


FIG. 5

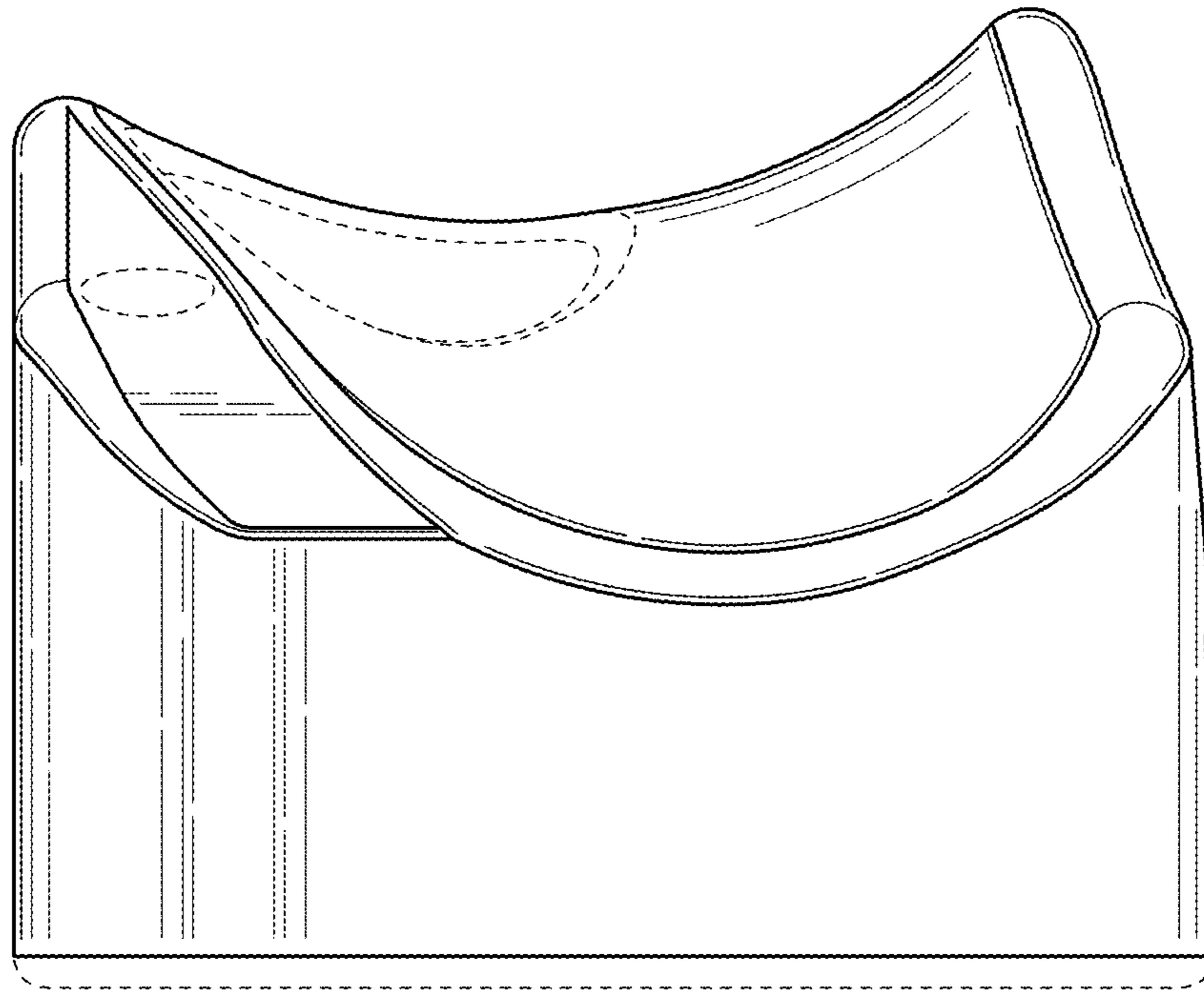


FIG. 6

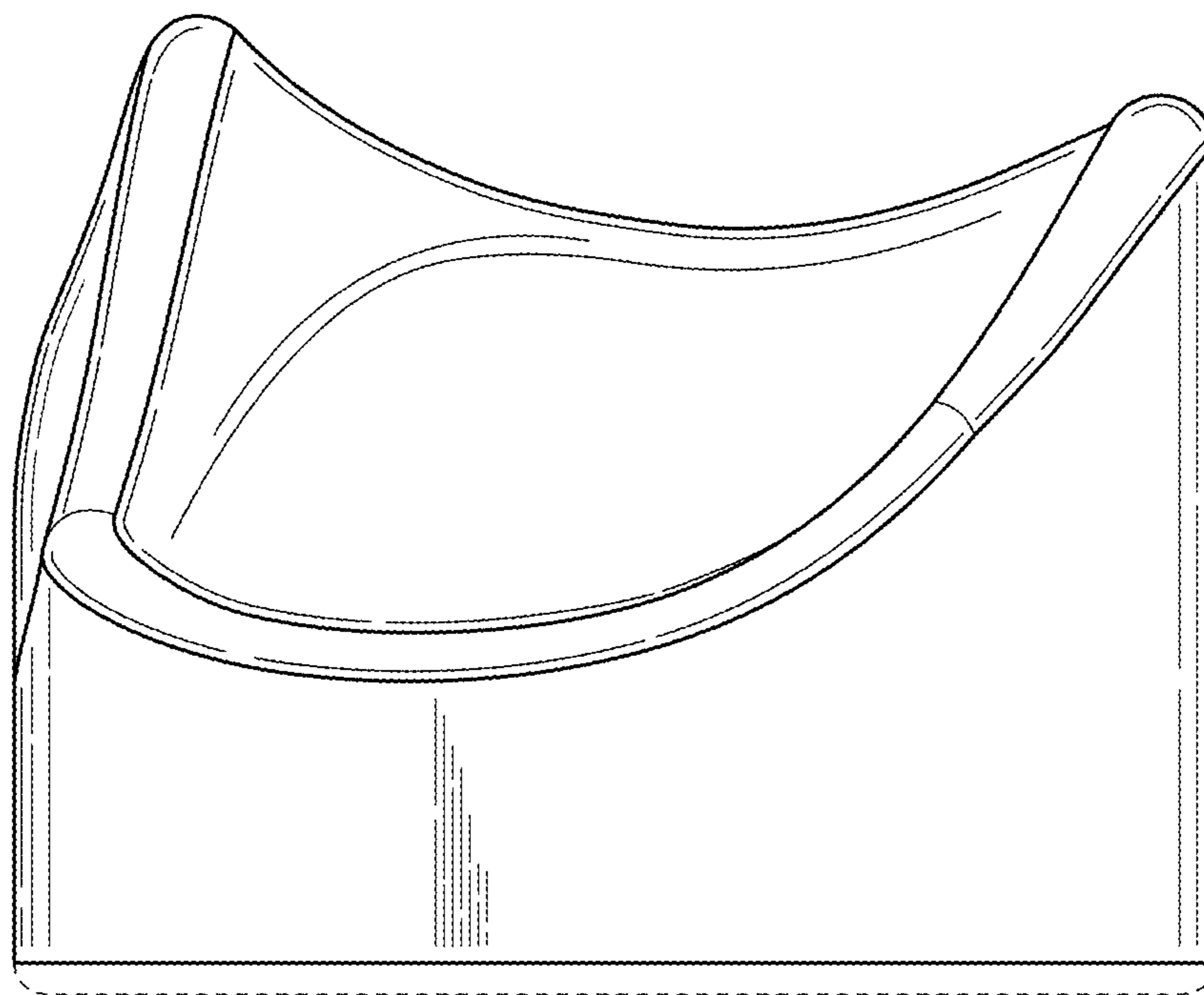


FIG. 7

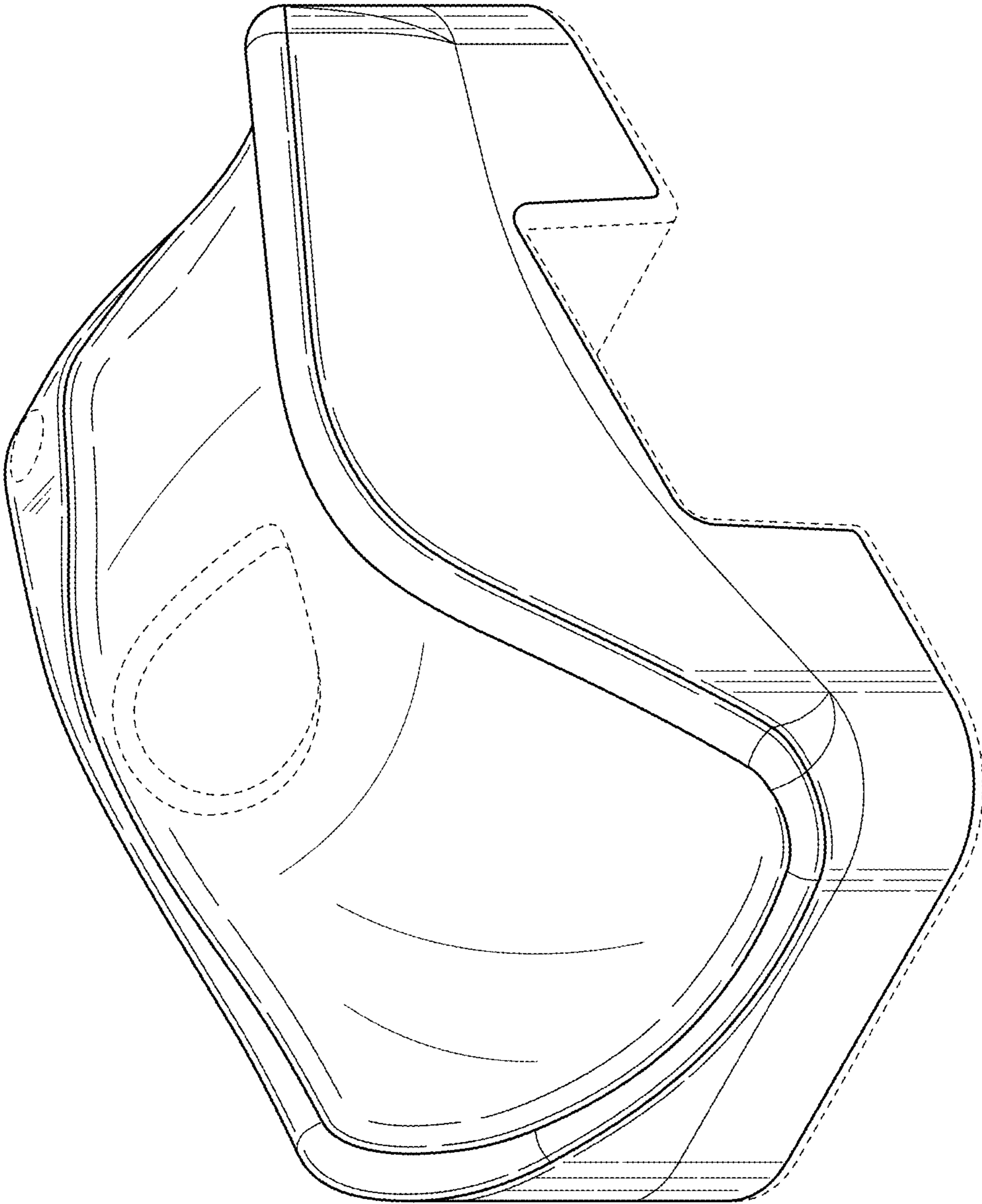


FIG. 8

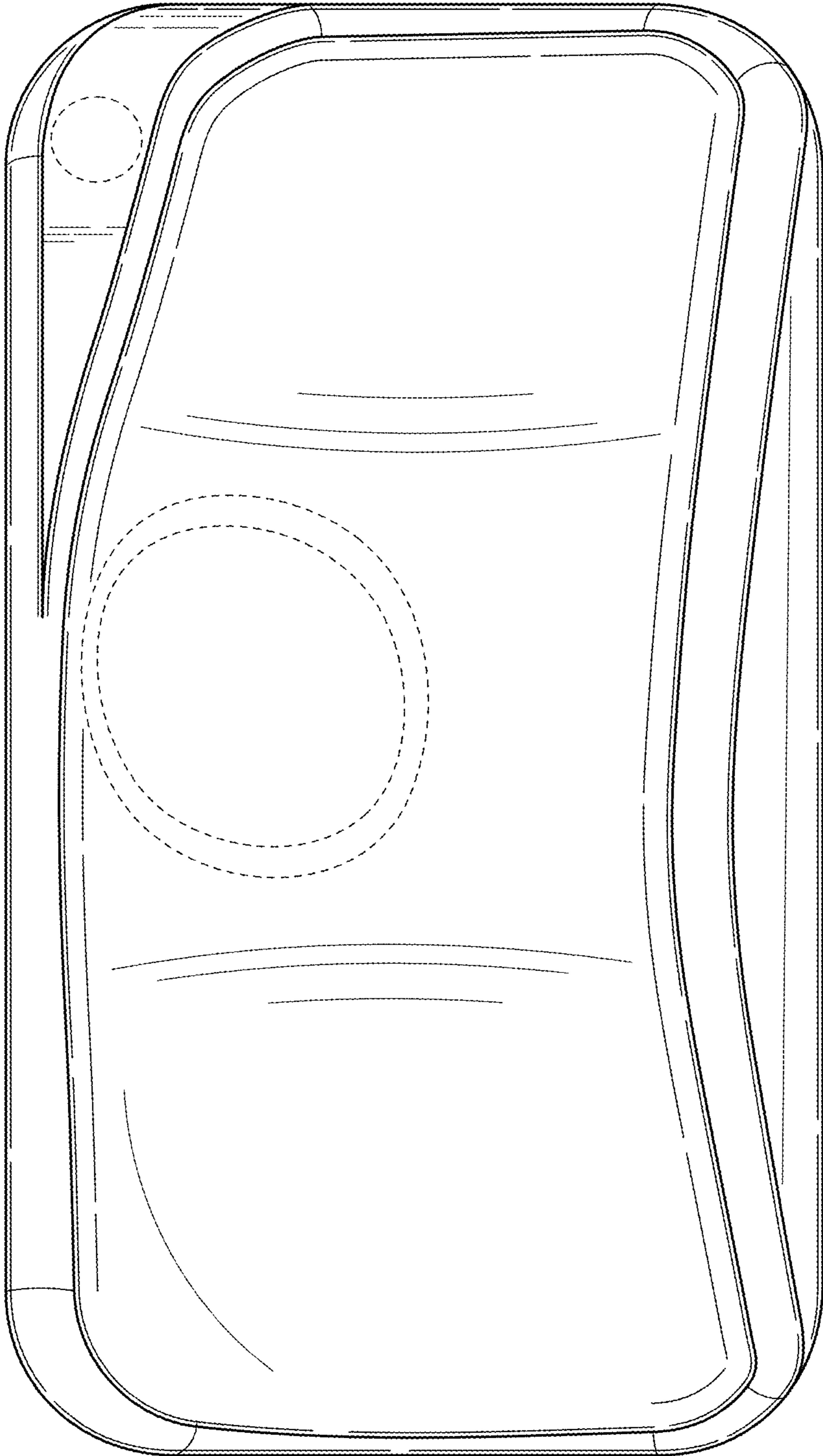


FIG. 9

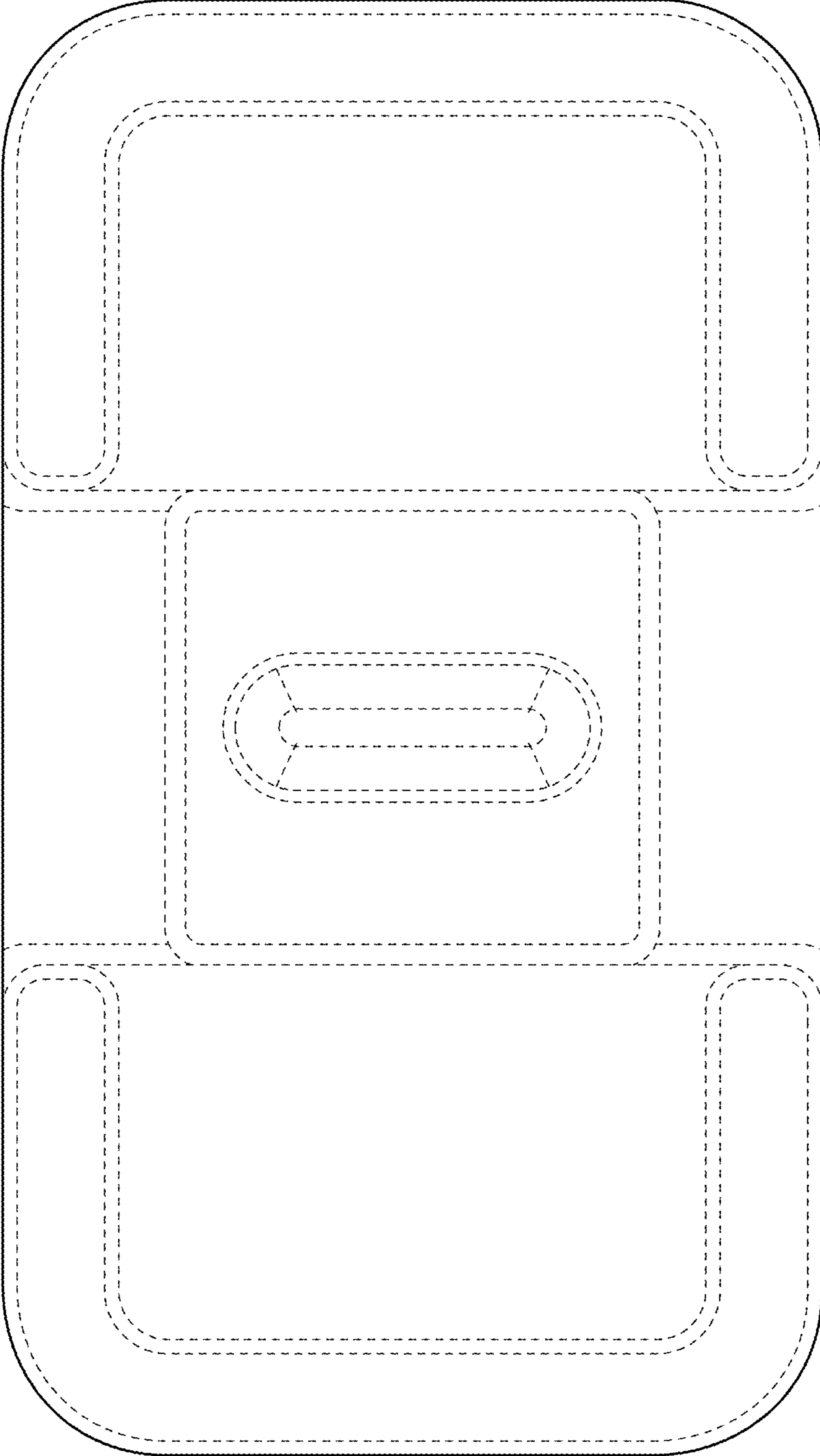


FIG. 10

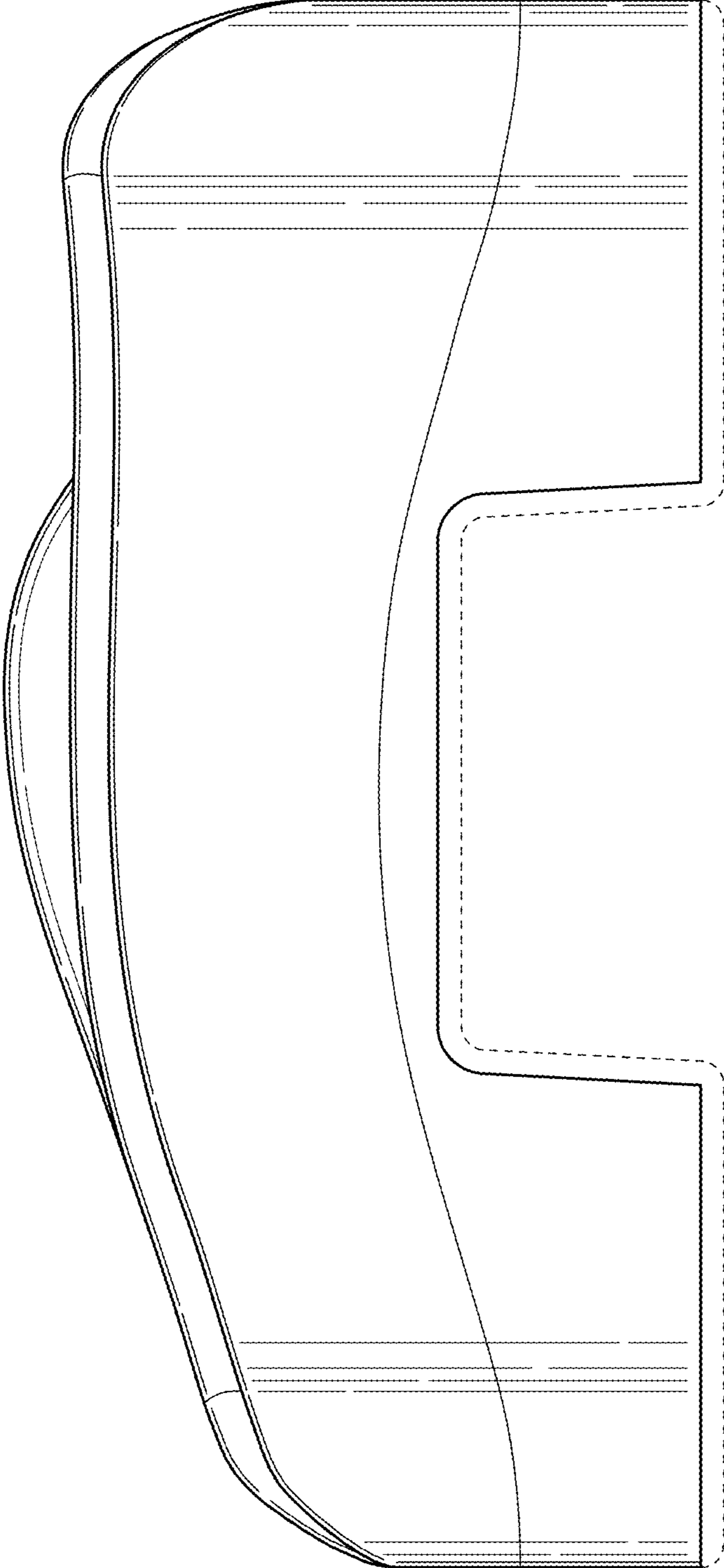


FIG. 11

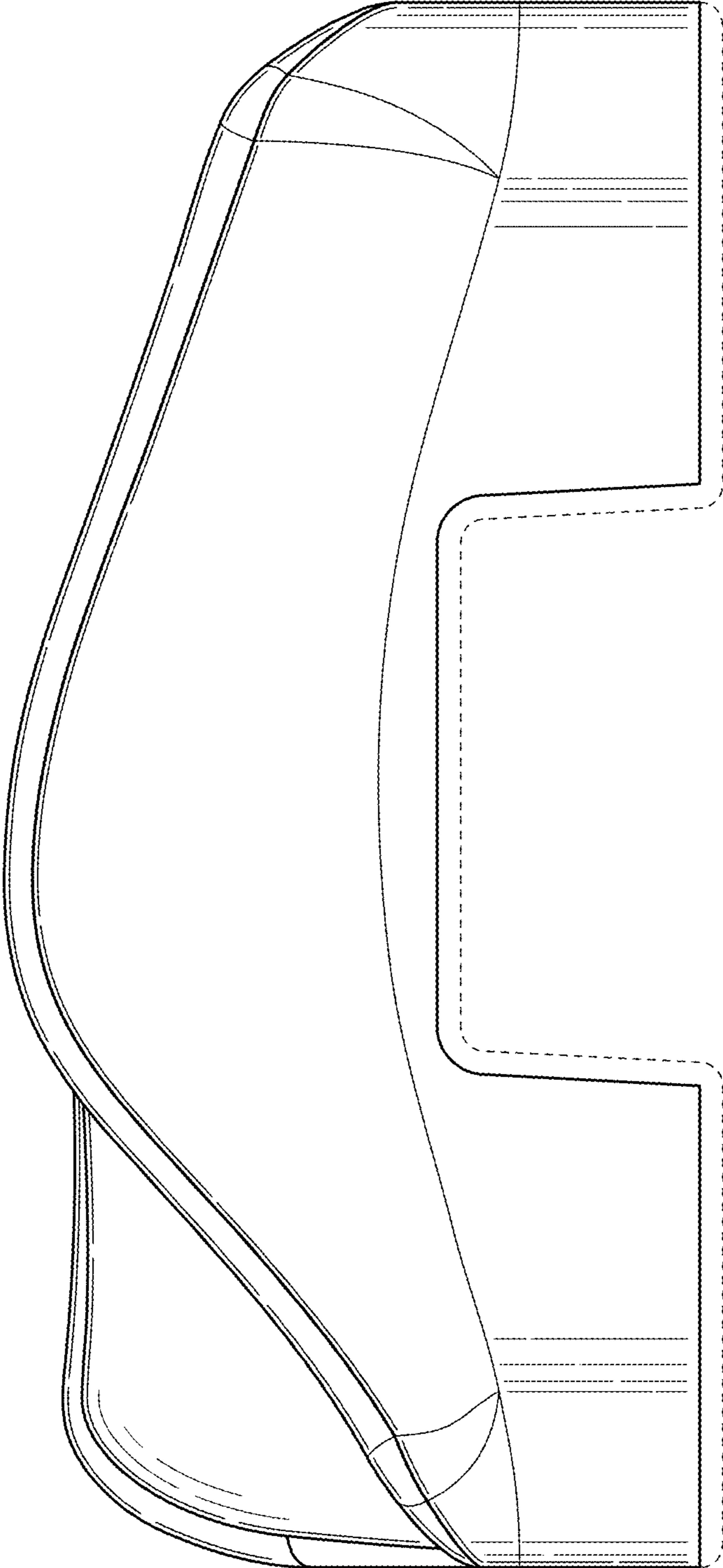


FIG. 12

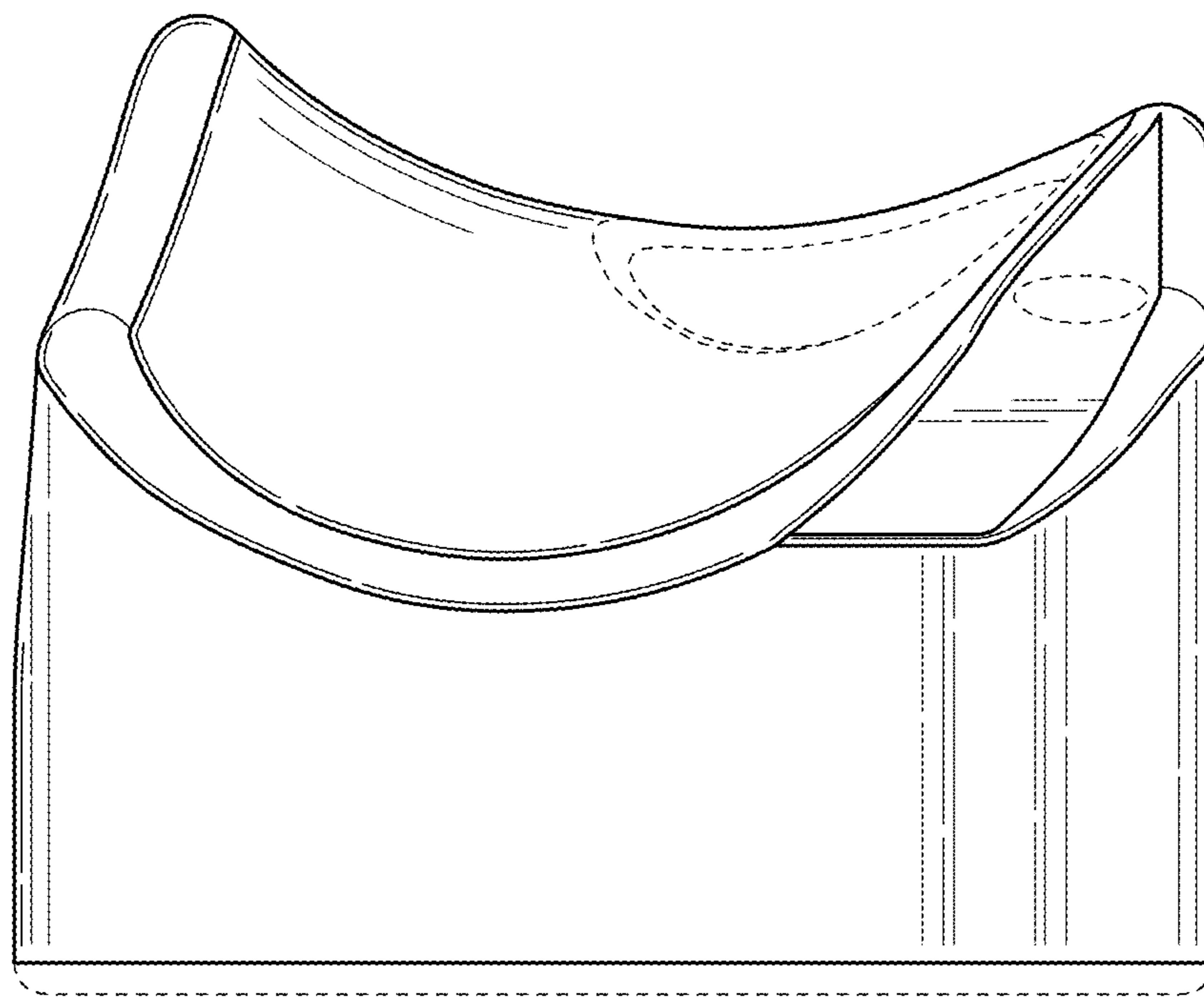


FIG. 13

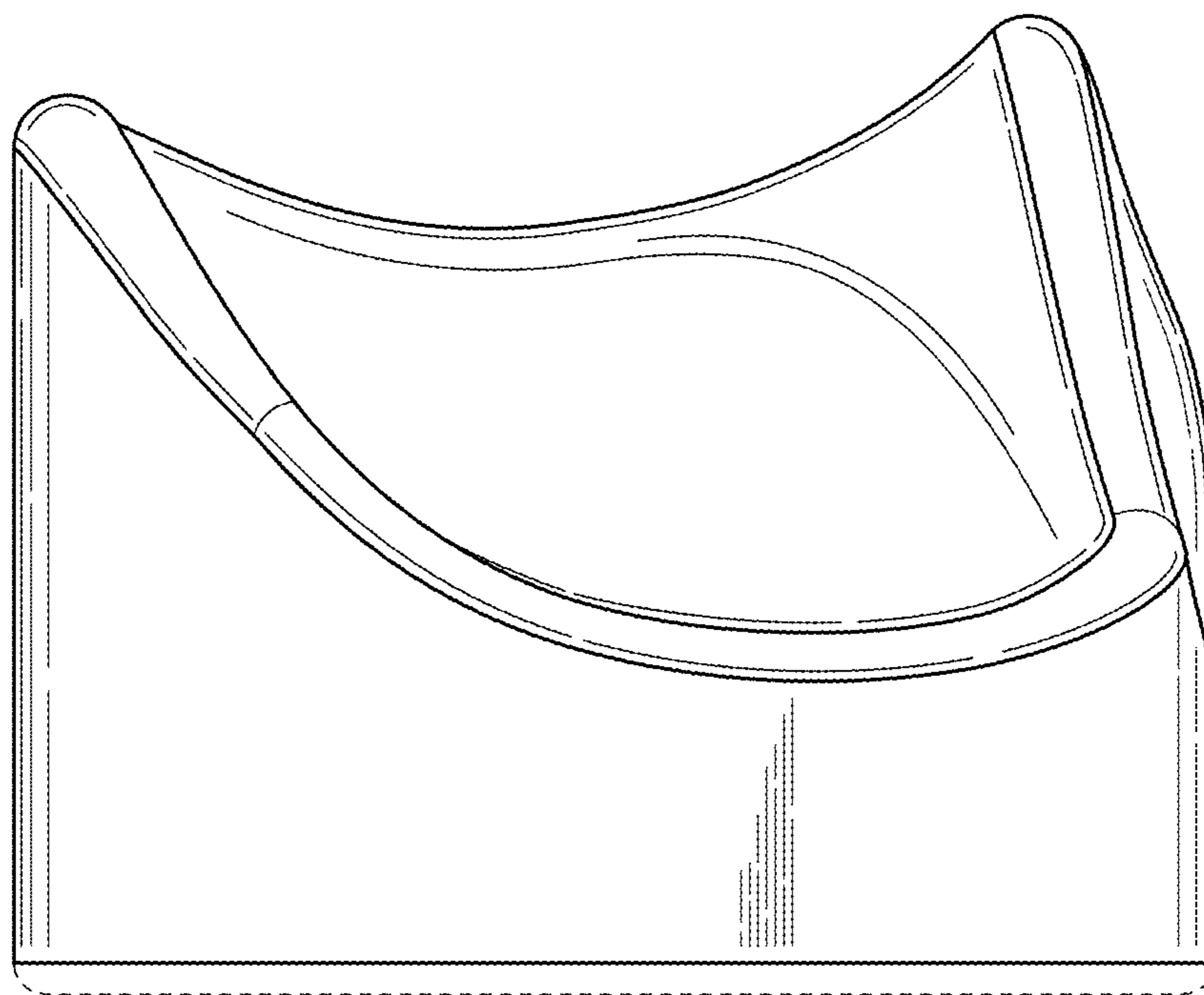


FIG. 14