



US00D885585S

(12) **United States Design Patent**
Lombardo

(10) **Patent No.:** **US D885,585 S**

(45) **Date of Patent:** **** May 26, 2020**

- (54) **PHYSICAL THERAPY BAND**
- (71) Applicant: **William Lombardo**, Maspeth, NY (US)
- (72) Inventor: **William Lombardo**, Maspeth, NY (US)
- (**) Term: **15 Years**
- (21) Appl. No.: **29/666,475**
- (22) Filed: **Oct. 12, 2018**

D816,785 S *	5/2018	Smith, Jr.	D21/694
D845,493 S *	4/2019	Sudell	D24/190
D859,670 S *	9/2019	Rokitta	D24/192
D861,804 S *	10/2019	Rios	D21/662
D872,200 S *	1/2020	Antezana	D21/692
2005/0227833 A1 *	10/2005	Wilkinson	A63B 21/0004 482/124
2006/0201450 A1 *	9/2006	Jordan	A01K 27/004 119/796
2010/0016132 A1 *	1/2010	Flynn	A63B 21/0004 482/122
2018/0042757 A1 *	2/2018	Sudell	A61H 1/0218

* cited by examiner

Related U.S. Application Data

- (63) Continuation-in-part of application No. 15/924,518, filed on Mar. 19, 2018, now abandoned.
- (51) **LOC (12) Cl.** **24-01**
- (52) **U.S. Cl.**
USPC **D24/188**; D21/662
- (58) **Field of Classification Search**
USPC D24/188-192; D21/662
CPC A61F 5/028; A61F 5/055; A61F 5/3738;
A61F 13/108; A61F 13/062
See application file for complete search history.

Primary Examiner — Jennifer L Watkins

(74) *Attorney, Agent, or Firm* — Dale J. Ream

(57) **CLAIM**

The ornamental design for a physical therapy band, as shown and described.

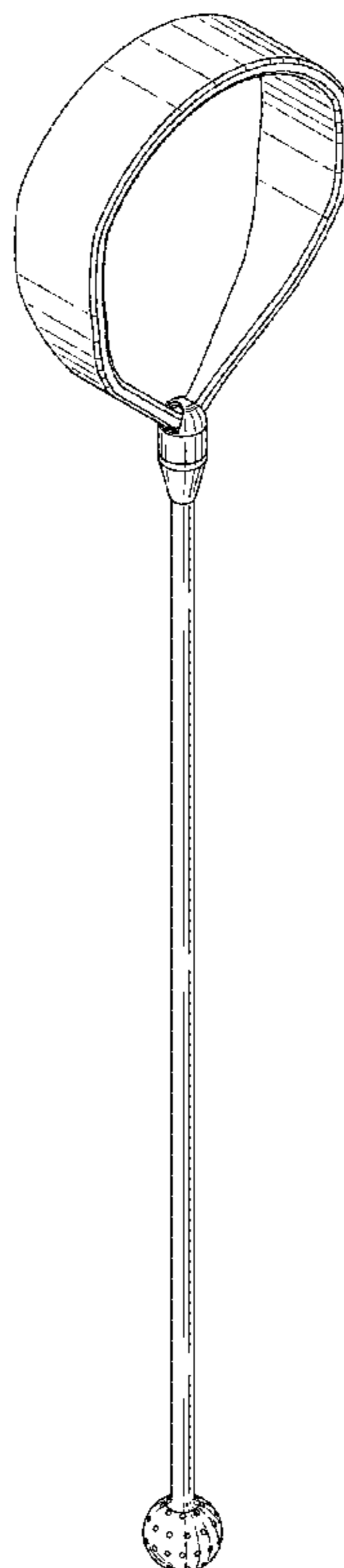
DESCRIPTION

FIG. 1 is a perspective view of a physical therapy band showing my new design;
 FIG. 2 is a front view, the rear view, being a mirror image thereof;
 FIG. 3 is a left side view, the right side view, being a mirror image thereof;
 FIG. 4 is a top plan view thereof; and,
 FIG. 5 is a bottom plan view thereof.

1 Claim, 4 Drawing Sheets

(56) **References Cited**
 U.S. PATENT DOCUMENTS

D219,150 S *	11/1970	Martin	D30/134
D352,781 S *	11/1994	Mason	D24/188
D723,116 S *	2/2015	Gillespie	D21/662
D726,262 S *	4/2015	Linkjendal	D21/662
9,386,943 B2 *	7/2016	Strickland	A61B 5/11
D802,153 S *	11/2017	Kelly	D24/188



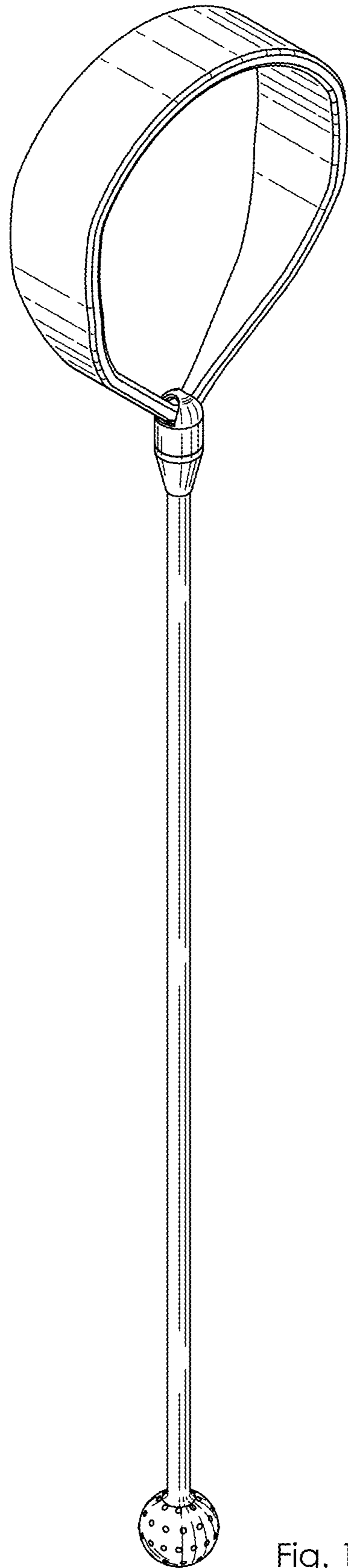


Fig. 1

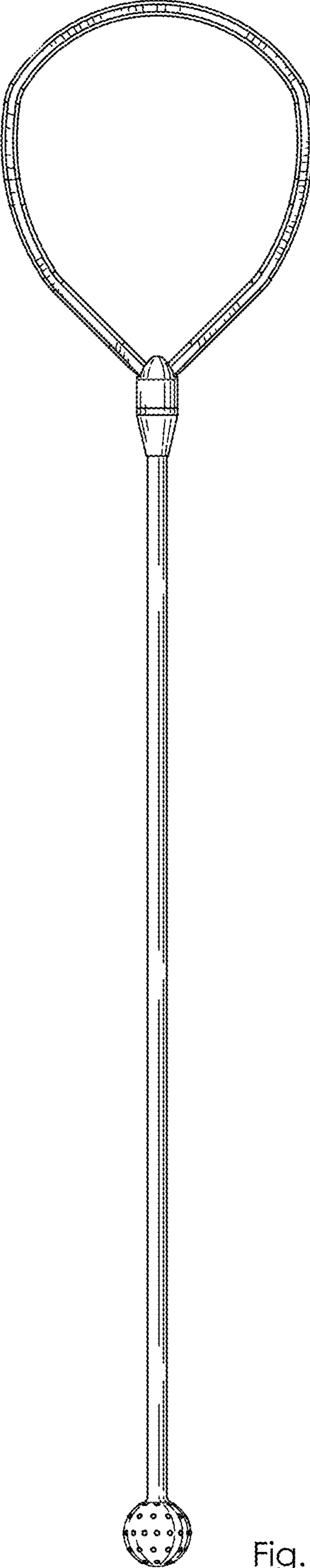


Fig. 2

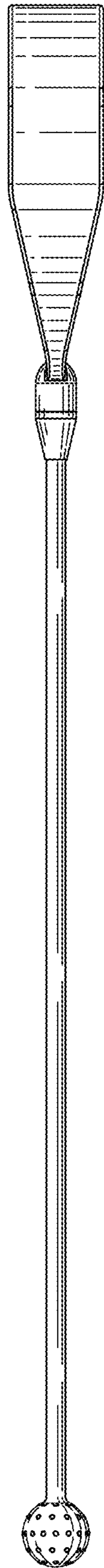


Fig. 3



Fig. 4

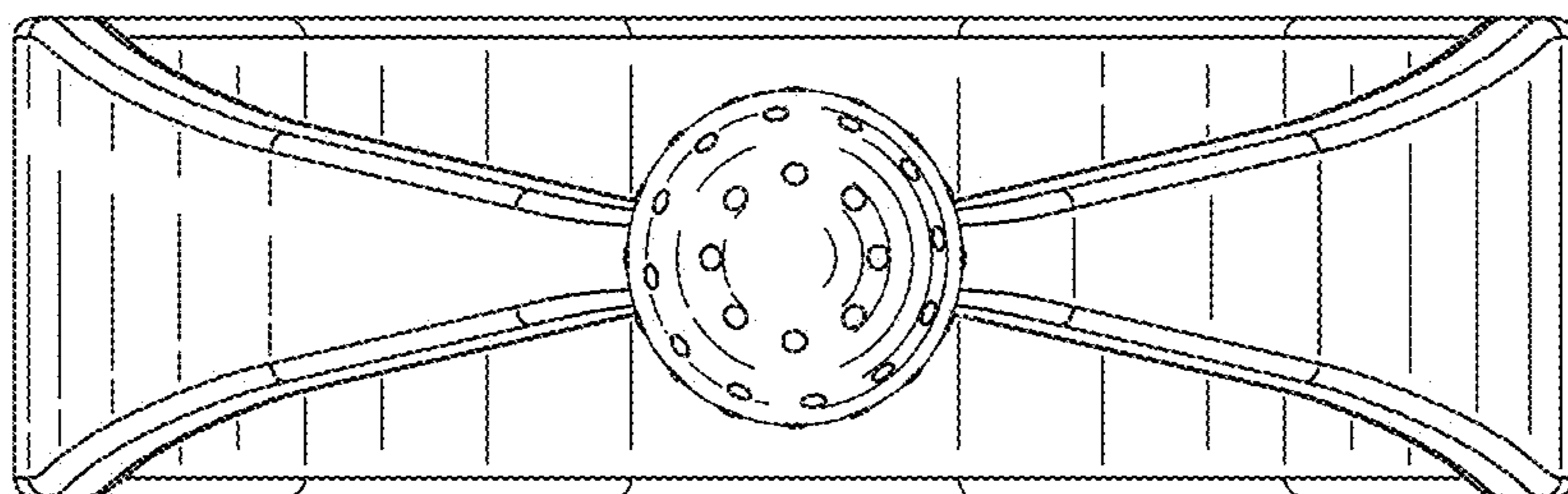


Fig. 5