



US00D885584S

(12) **United States Design Patent**
Lopez

(10) **Patent No.:** **US D885,584 S**

(45) **Date of Patent:** **** May 26, 2020**

(54) **SUPPORT DEVICE FOR STANDING AND SITTING**

(71) Applicant: **Vive Health LLC**, Naples, FL (US)

(72) Inventor: **Juan Lopez**, Naples, FL (US)

(73) Assignee: **Vive Health LLC**, Naples, FL (US)

(**) Term: **15 Years**

(21) Appl. No.: **29/658,199**

(22) Filed: **Jul. 30, 2018**

(51) **LOC (12) Cl.** **24-04**

(52) **U.S. Cl.**
USPC **D24/188**

(58) **Field of Classification Search**
USPC D24/155, 188–192, 199, 200, 206,
D24/212–215; D29/100, 101.1–101.5,
D29/103, 106, 108, 111, 120.1, 121.1,
D29/121.2, 122, 124
CPC A61H 1/0244; A61H 1/0262; A61H 3/00;
B02J 9/0006; A63B 23/0211; A63B
2208/0204

See application file for complete search history.

(56) **References Cited**

U.S. PATENT DOCUMENTS

- 6,206,019 B1 * 3/2001 Horvitz A61H 3/00
135/66
- 7,373,942 B1 * 5/2008 Yeager A61H 3/00
135/67
- D675,332 S * 1/2013 Tinder D24/215
- D690,431 S * 9/2013 Nohr D24/215
- D721,440 S * 1/2015 Pursel A61H 99/00
D24/214
- 8,936,033 B2 * 1/2015 Velarde A61H 3/00
135/67
- 9,554,961 B1 * 1/2017 Juarez A43B 5/0419

- 9,622,934 B2 * 4/2017 Wilson A61H 3/00
- 2008/0121258 A1 * 5/2008 Lin A61H 3/00
135/67
- 2014/0109943 A1 * 4/2014 Fang A61H 3/00
135/67

OTHER PUBLICATIONS

Amazon. Portable Couch Standing Aid for Seniors by Stand A Roo—No Assembly Required—Stand Assist for Elderly, Disabled and Expecting Mothers—Medical Grade Materials. No date specified. <https://www.amazon.com/Stand-Roo-SAR2001-Double-Adjustable/dp/B073XN3YH9?th=1> (Year: 0).*

(Continued)

Primary Examiner — Darcey E Gottschalk

(74) *Attorney, Agent, or Firm* — Workman Nydegger

(57) **CLAIM**

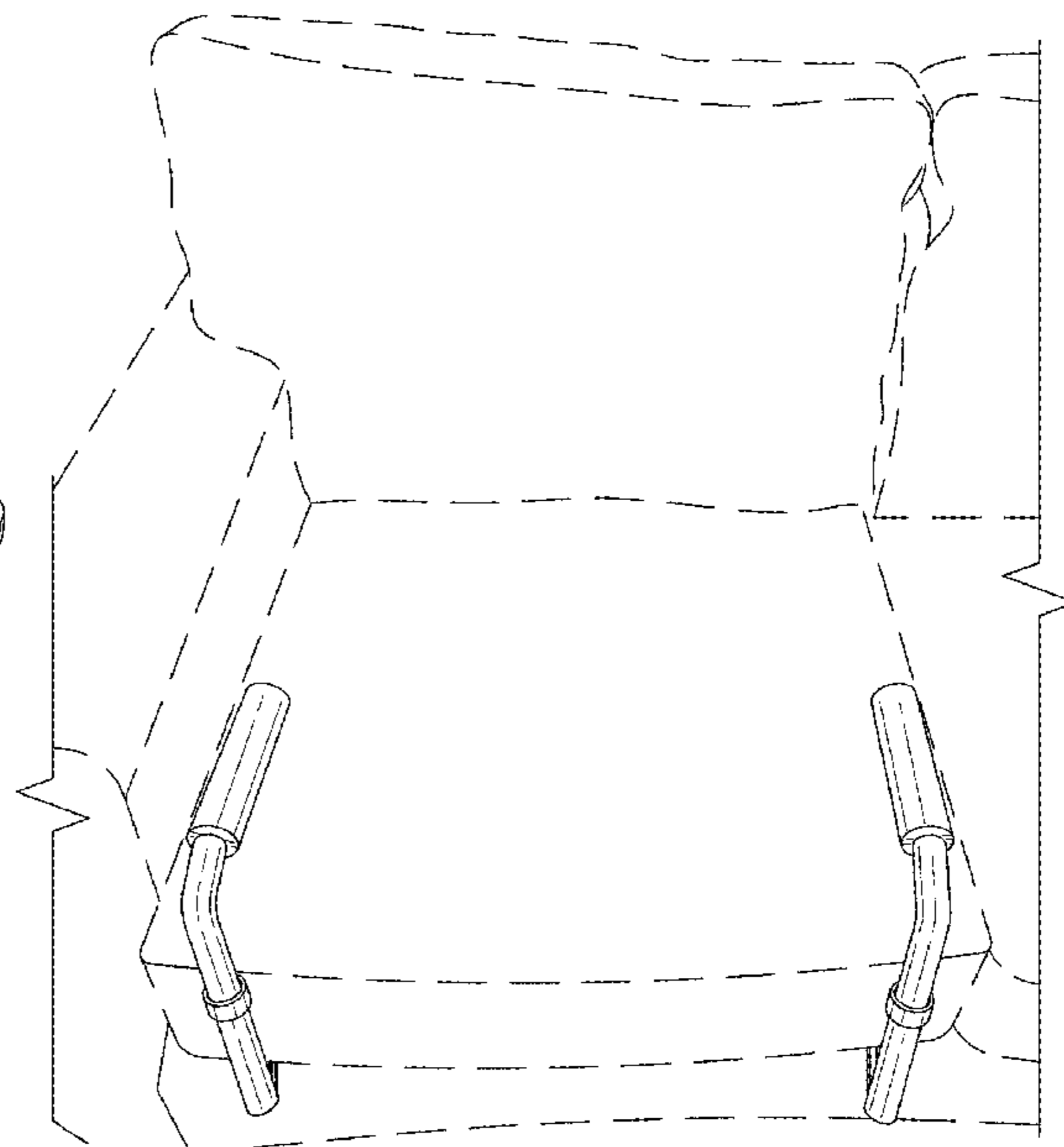
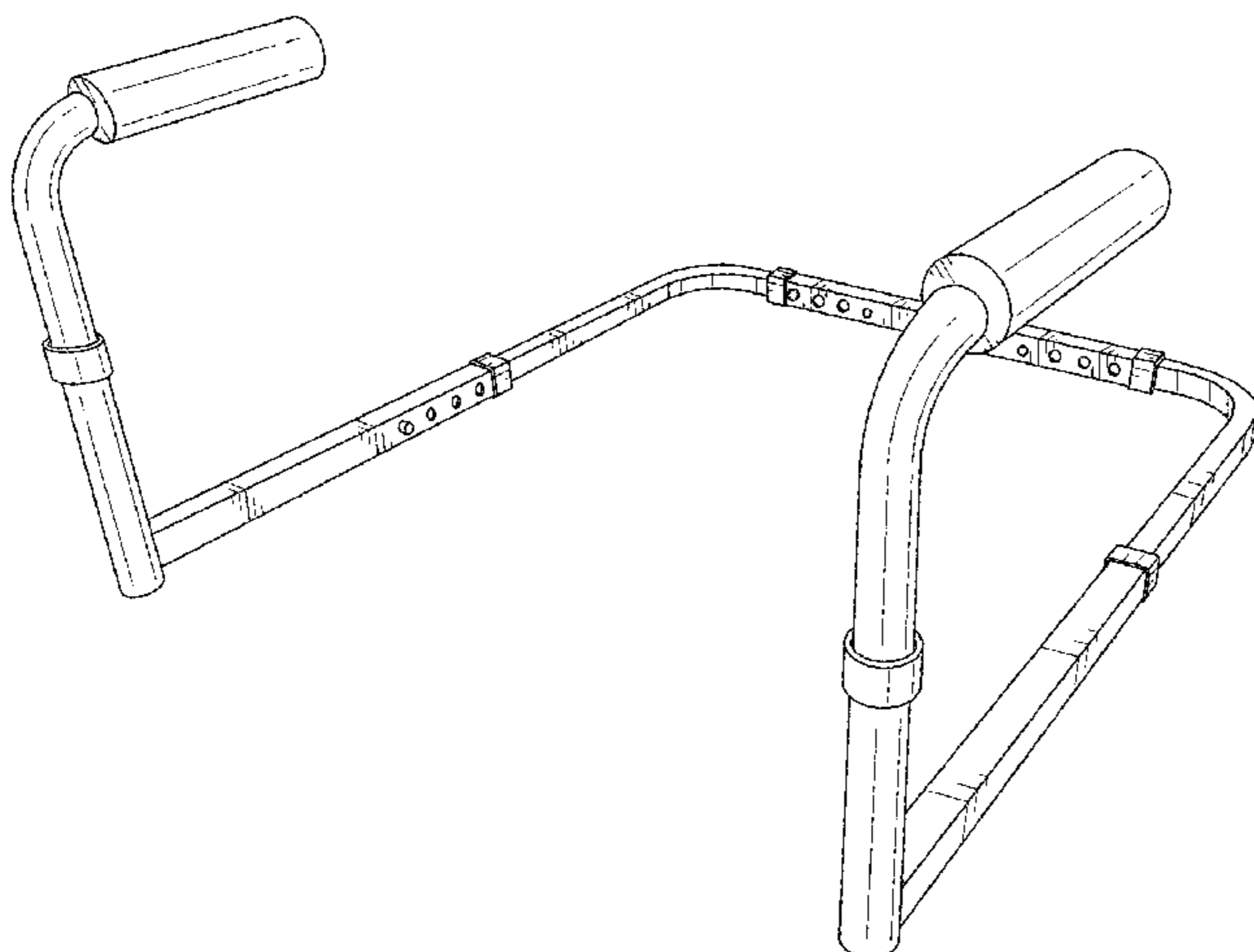
I claim the ornamental design for a support device for standing and sitting, as shown and described.

DESCRIPTION

FIG. 1 is a perspective view of a support device for standing and sitting;
FIG. 2 is a top view of the device showing in FIG. 1;
FIG. 3 is a bottom view of the device showing in FIG. 1;
FIG. 4 is a left-side view of the device showing in FIG. 1;
FIG. 5 is a right-side view of the device showing in FIG. 1;
FIG. 6 is a front view of the device showing in FIG. 1;
FIG. 7 is a rear view of the device showing in FIG. 1; and,
FIG. 8 is a front perspective view of the device showing in FIG. 1 with the environment.

The broken lines in the drawings are for environmental purposes only and form no part of the claimed design.

1 Claim, 5 Drawing Sheets



(56)

References Cited

OTHER PUBLICATIONS

Ebay. Standing Handle Assist for Adults Elders Couch Grab Rail PWD Chair Sofa Aid. May 10, 2019. <https://www.ebay.com/itm/Standing-Handle-Assist-for-Adults-Elders-Couch-Grab-Rail-PWD-Chair-Sofa-Aid-/254123723414> (Year: 2019).*

Amazon. Vive Stand Assist—Mobility Standing Aid Rail for Couch & Chair—Assistance Handle for Patients, Elderly, Seniors & Disabled—Safety Grab Bar for Sitting, Sofa & Home—Adjustable & Portable Device. No date specified. <https://amzn.to/2KbtHO4> (Year: 0).*

* cited by examiner

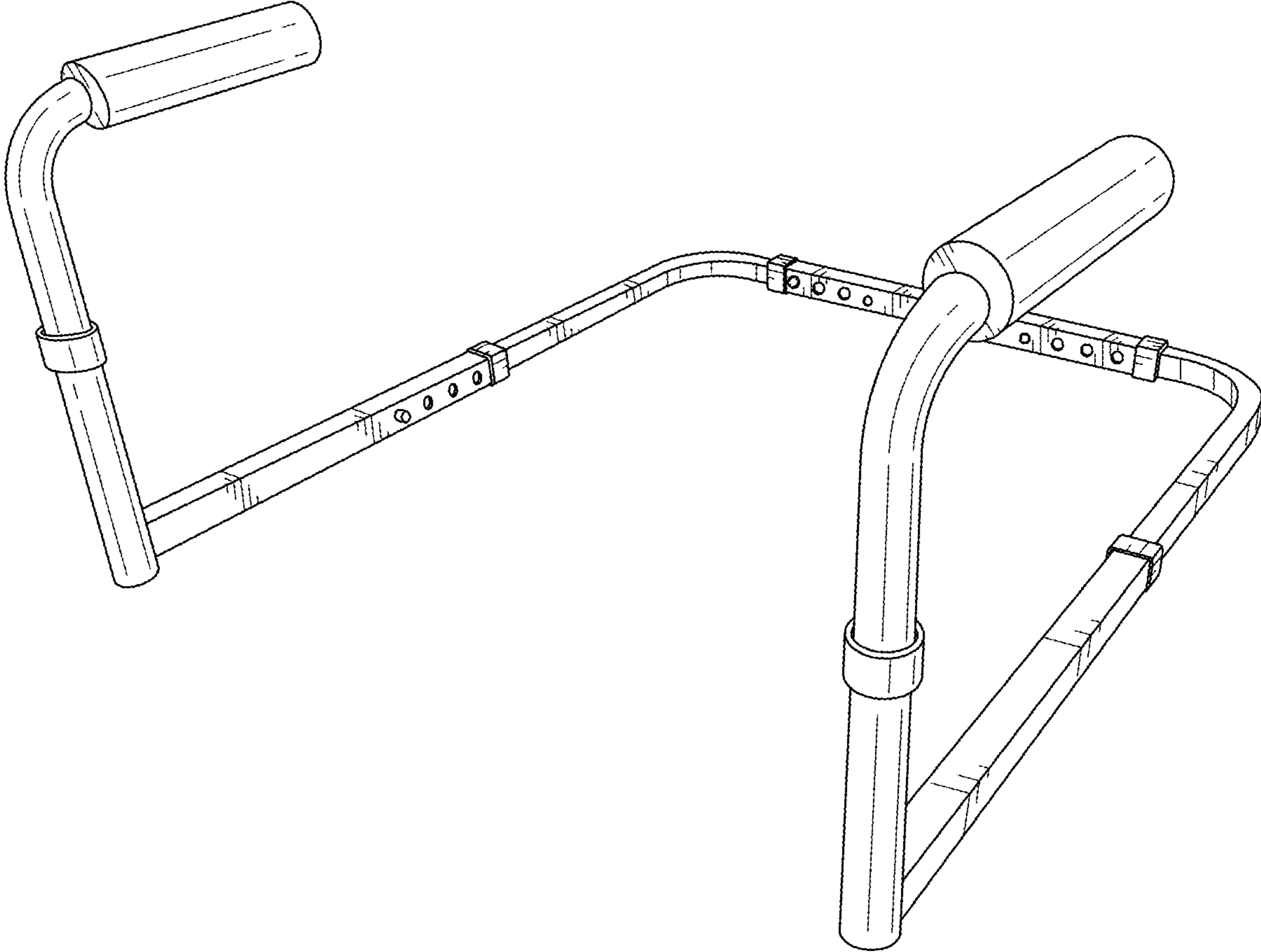


FIG. 1

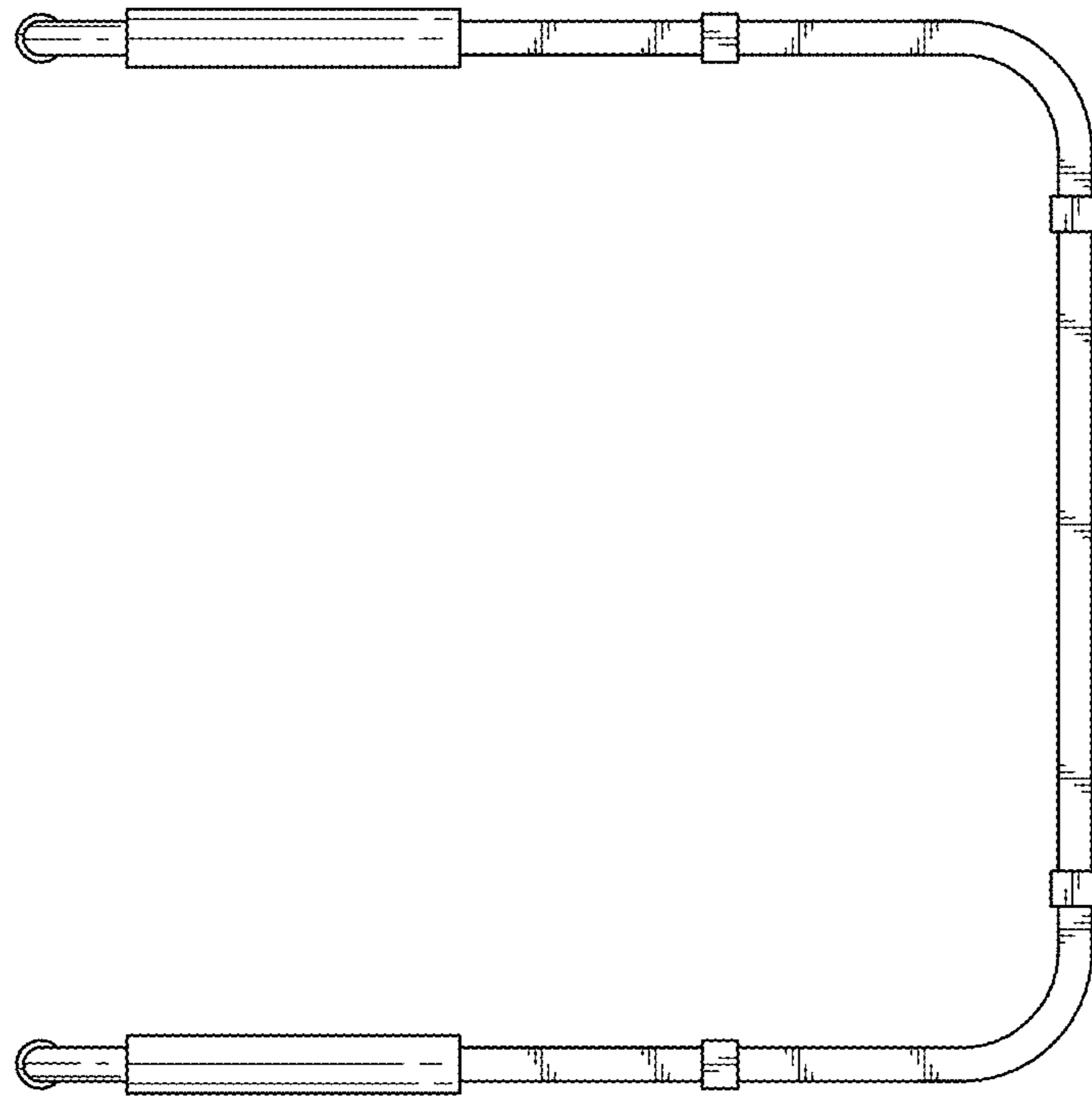


FIG. 2

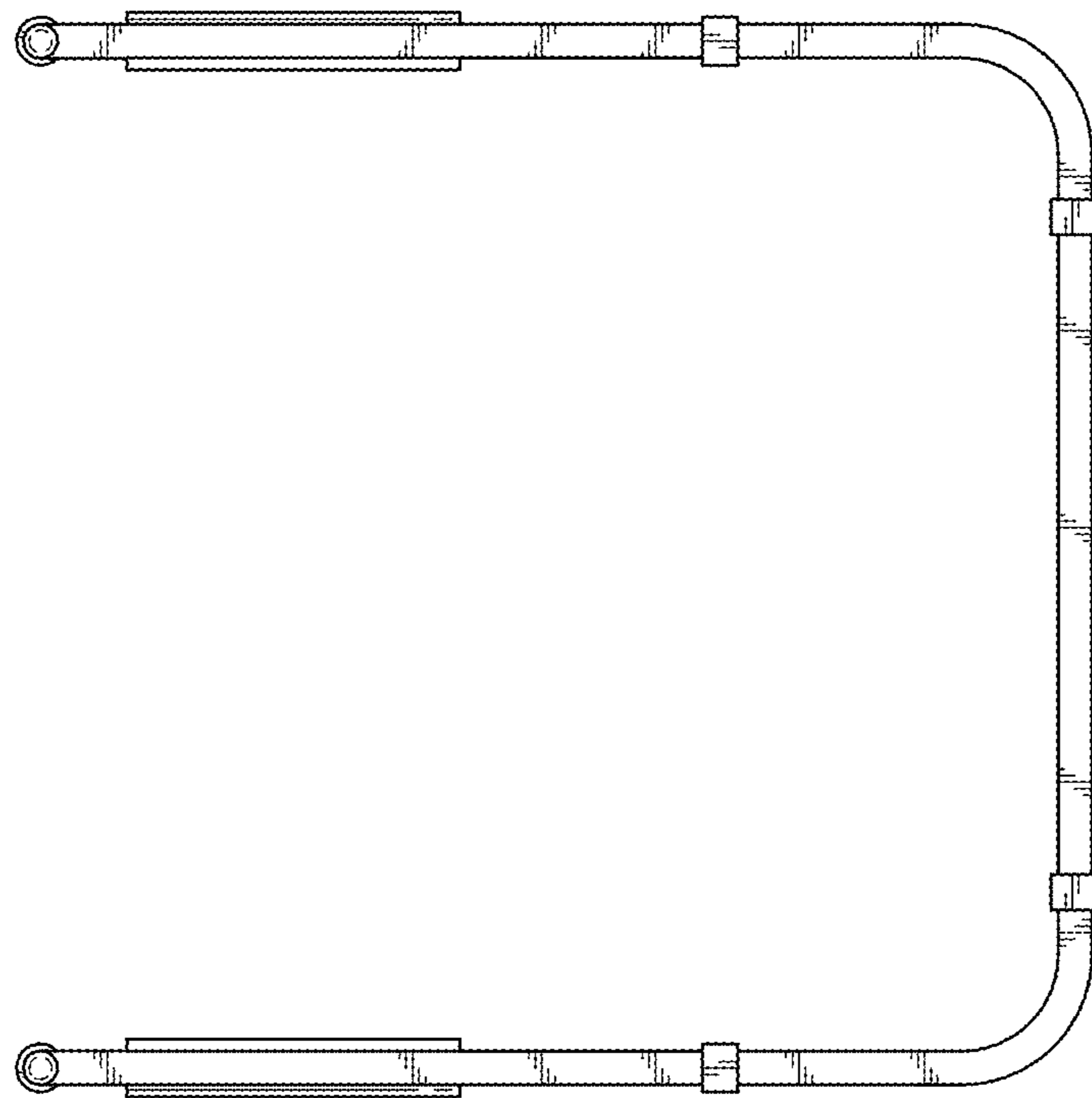


FIG. 3

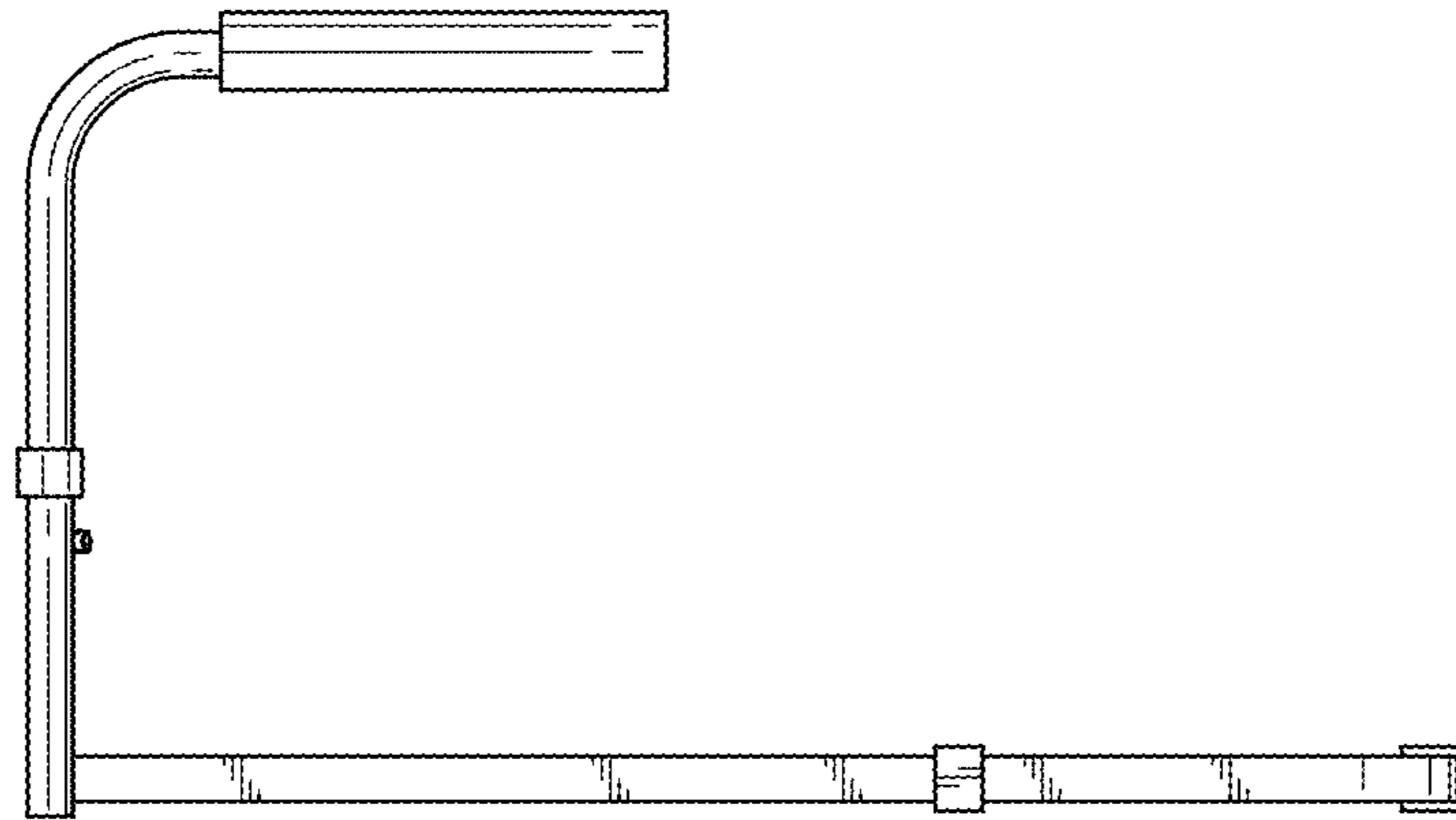


FIG. 4

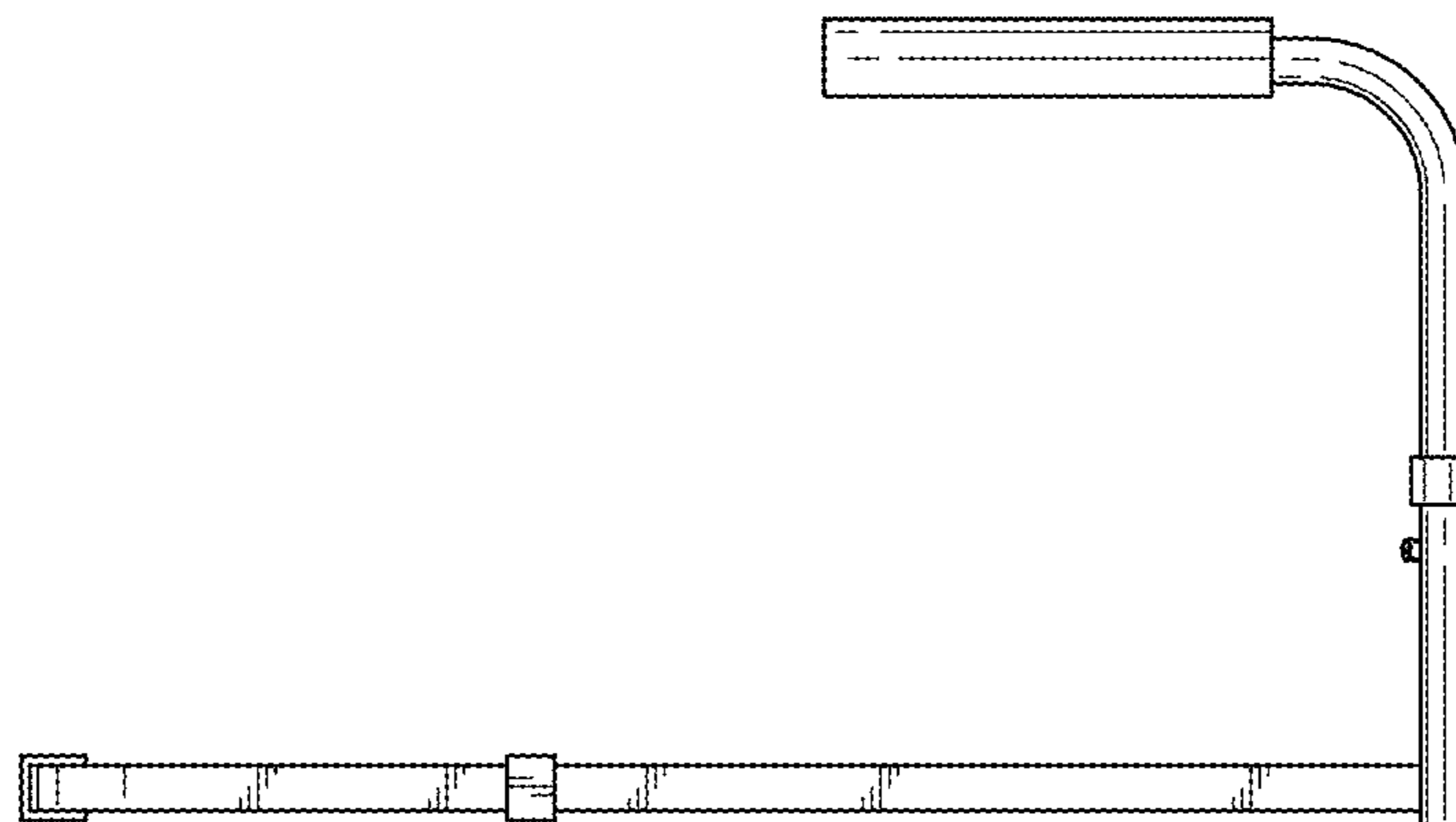


FIG. 5

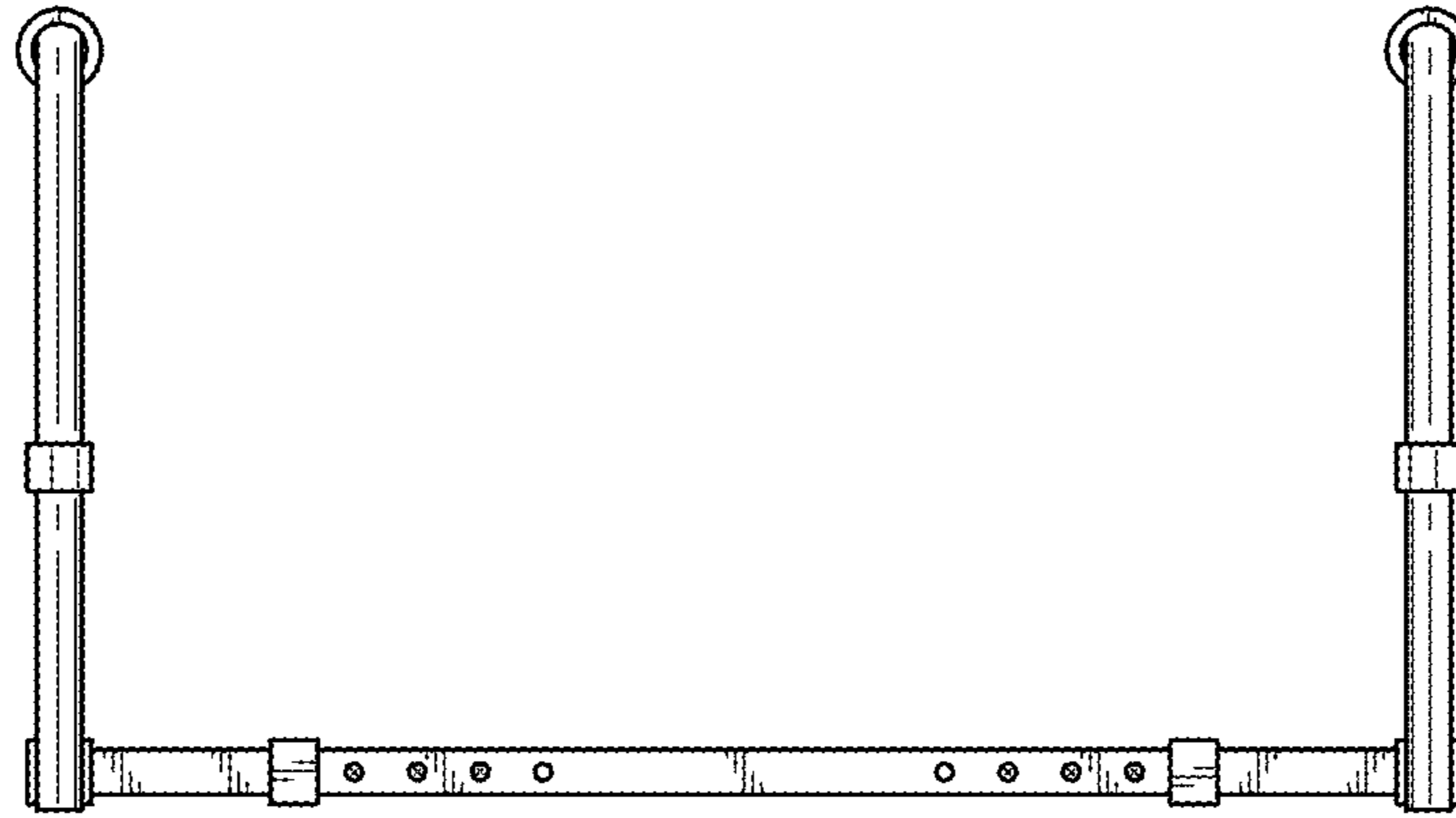


FIG. 6

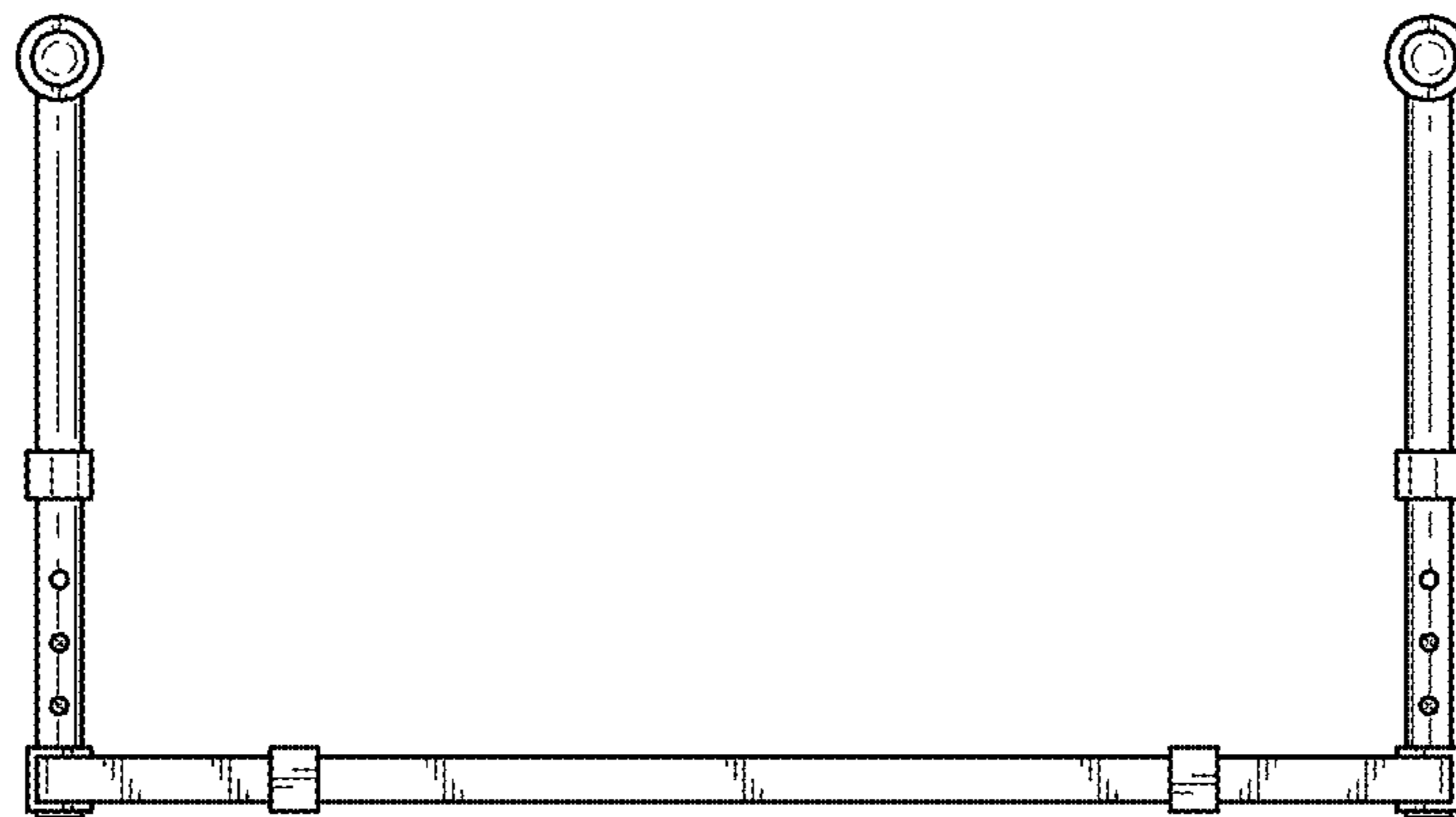


FIG. 7

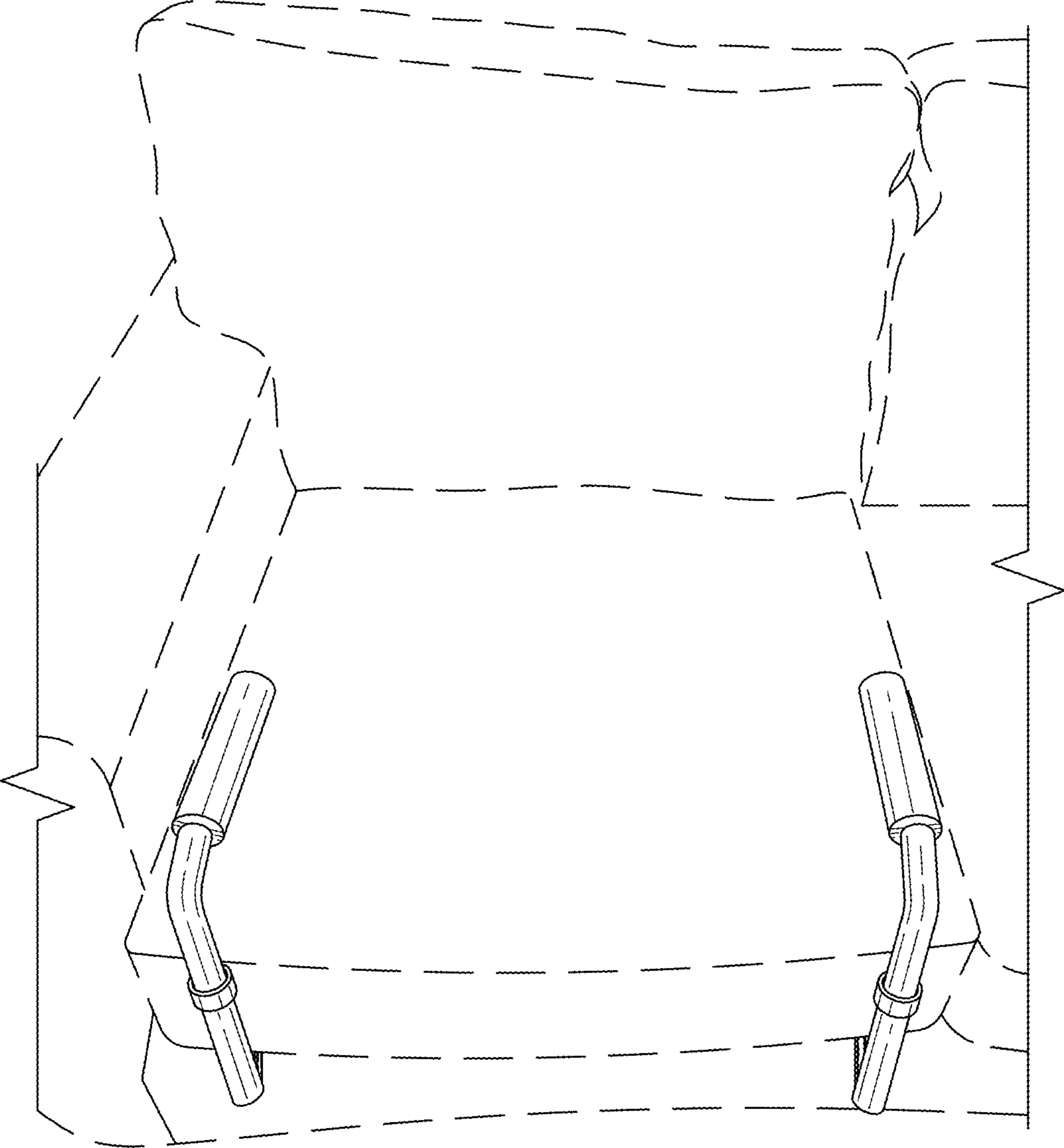


FIG. 8