



US00D885583S

(12) **United States Design Patent**
Haiola et al.

(10) **Patent No.:** **US D885,583 S**

(45) **Date of Patent:** **** May 26, 2020**

(54) **LIPGUARD SHIELD**

(71) Applicant: **KATOA CORP.**, Fullerton, CA (US)

(72) Inventors: **Sione Haiola**, Yorba Linda, CA (US);
Shazia Peshimam, Yorba Linda, CA (US)

(73) Assignee: **Katoa Corp.**, Fullerton, CA (US)

(**) Term: **15 Years**

(21) Appl. No.: **29/645,699**

(22) Filed: **Apr. 27, 2018**

(51) **LOC (12) Cl.** **24-02**

(52) **U.S. Cl.**
USPC **D24/181**

(58) **Field of Classification Search**
USPC D24/176, 180-181, 110.5; D29/108;
128/859-861, 846, 848; 433/6, 37,
433/41-45, 47-48; 602/902
CPC ... A63B 71/085; A63B 2071/086; A61F 5/56;
A61F 5/566; A61C 7/36; A61C 7/08
See application file for complete search history.

(56) **References Cited**

U.S. PATENT DOCUMENTS

3,692,025	A	9/1972	Greenberg	
6,068,475	A	5/2000	Stoyka	
6,269,816	B1 *	8/2001	Rigonatti	A61M 16/0488 128/200.26
6,494,210	B1	12/2002	Mams	
8,074,658	B2 *	12/2011	Kittelsen	A63B 71/085 128/846
D663,485	S	7/2012	Turkbas et al.	
D663,486	S	7/2012	Turkbas et al.	
8,800,184	B1	8/2014	Lerman et al.	
8,931,488	B2 *	1/2015	Evans	A63B 71/085 128/861
D734,556	S *	7/2015	Brett	D24/181
9,375,289	B1 *	6/2016	Walls	A61C 7/08
D760,889	S	7/2016	Evans et al.	

9,526,669	B1	12/2016	McCall	
D790,712	S *	6/2017	Walls	D24/181
9,687,722	B2	6/2017	Kennedy	
9,770,643	B2	9/2017	Hawkins	

(Continued)

FOREIGN PATENT DOCUMENTS

EP 1525857 A1 4/2005

OTHER PUBLICATIONS

“Fluoride treatments in the dental office,” JADA, vol. 138, Mar. 2007.

(Continued)

Primary Examiner — Wan Laymon

(74) *Attorney, Agent, or Firm* — Knobbe, Martens, Olson & Bear, LLP

(57) **CLAIM**

The ornamental design for a lipguard shield, as shown and described.

DESCRIPTION

FIG. 1 is a top-front perspective view of a lipguard shield showing our design.

FIG. 2 is a bottom-rear perspective view thereof.

FIG. 3 is a front view thereof.

FIG. 4 is a rear view thereof.

FIG. 5 is a right side view thereof.

FIG. 6 is a left side view thereof.

FIG. 7 is a top plan view thereof.

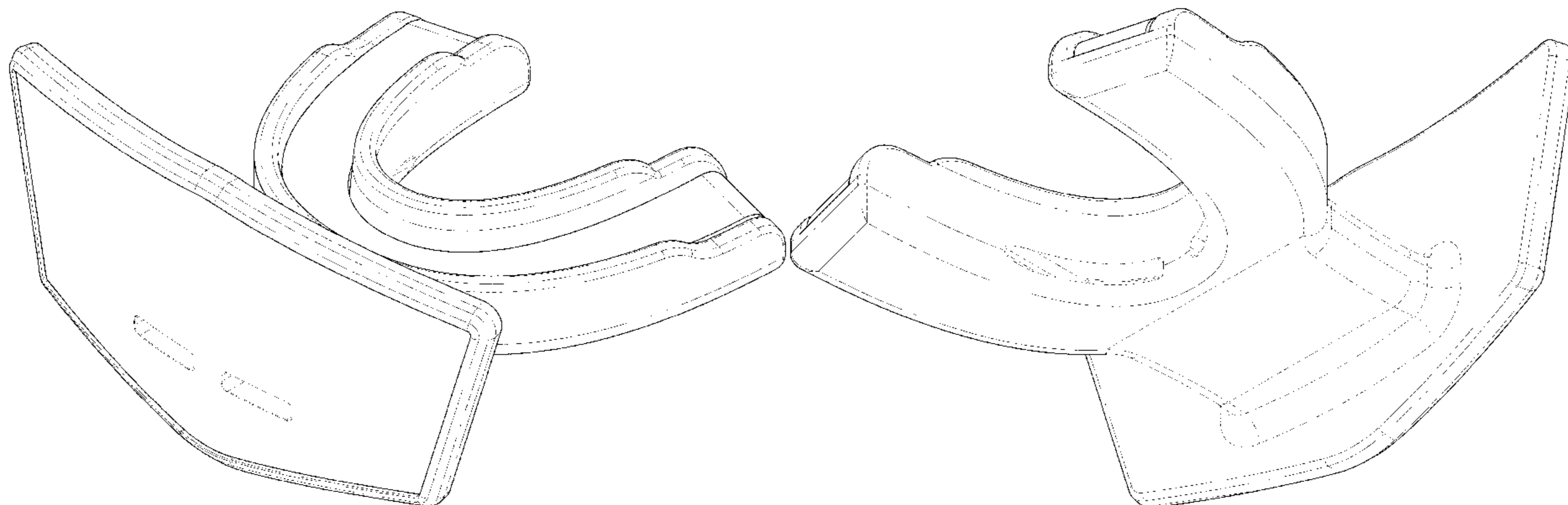
FIG. 8 is a bottom plan view thereof.

FIG. 9 is a top-front exploded perspective view thereof in a detached configuration; and,

FIG. 10 is a bottom-rear exploded perspective view thereof in a detached configuration.

The broken lines in the drawings represent portions of the lipguard shield that form no part of the claimed design.

1 Claim, 10 Drawing Sheets



(56)

References Cited

U.S. PATENT DOCUMENTS

D841,257	S *	2/2019	Turkbas	D29/108
D857,301	S *	8/2019	Turkbas	D29/108
2013/0081640	A1	4/2013	Herman et al.		
2013/0087157	A1	4/2013	Hawkins		
2013/0104913	A1*	5/2013	Evans	A63B 71/085 128/861
2014/0261465	A1*	9/2014	Turkbas	A63B 71/085 128/862
2014/0345626	A1*	11/2014	Brett	A63B 71/085 128/861
2015/0051646	A1	2/2015	Chan et al.		
2017/0296901	A1*	10/2017	Evans	A63B 71/085
2018/0280785	A1*	10/2018	Circo	A63B 71/085

OTHER PUBLICATIONS

Nike, Nike Hyperflow Flavored Lip Protector, accessed Mar. 21, 2017, 4 pages, <https://web.archive.org/web/20170321094413/https://www.dickssportinggoods.com/p/nike-hyperflow-black-raspberry-flavored-lip-protector-16nikunkhyprflwlpma/16nikunkhyprflwlpma>.
 SafeTGard , FUELGARD™ Mouthguard Kit With Electrolyte Tablets, accessed Apr. 27, 2018, 2 pages, <https://safetgard.myshopify.com/products/fuelgard-mouthguard-with-electrolytes>.
 Shock Doctor, Shock Doctor Interchange Lip Guard Shield, Available Apr. 26, 2018, 1 page, <https://www.shockdoctor.com/collections/mouthguards/sports>.

* cited by examiner

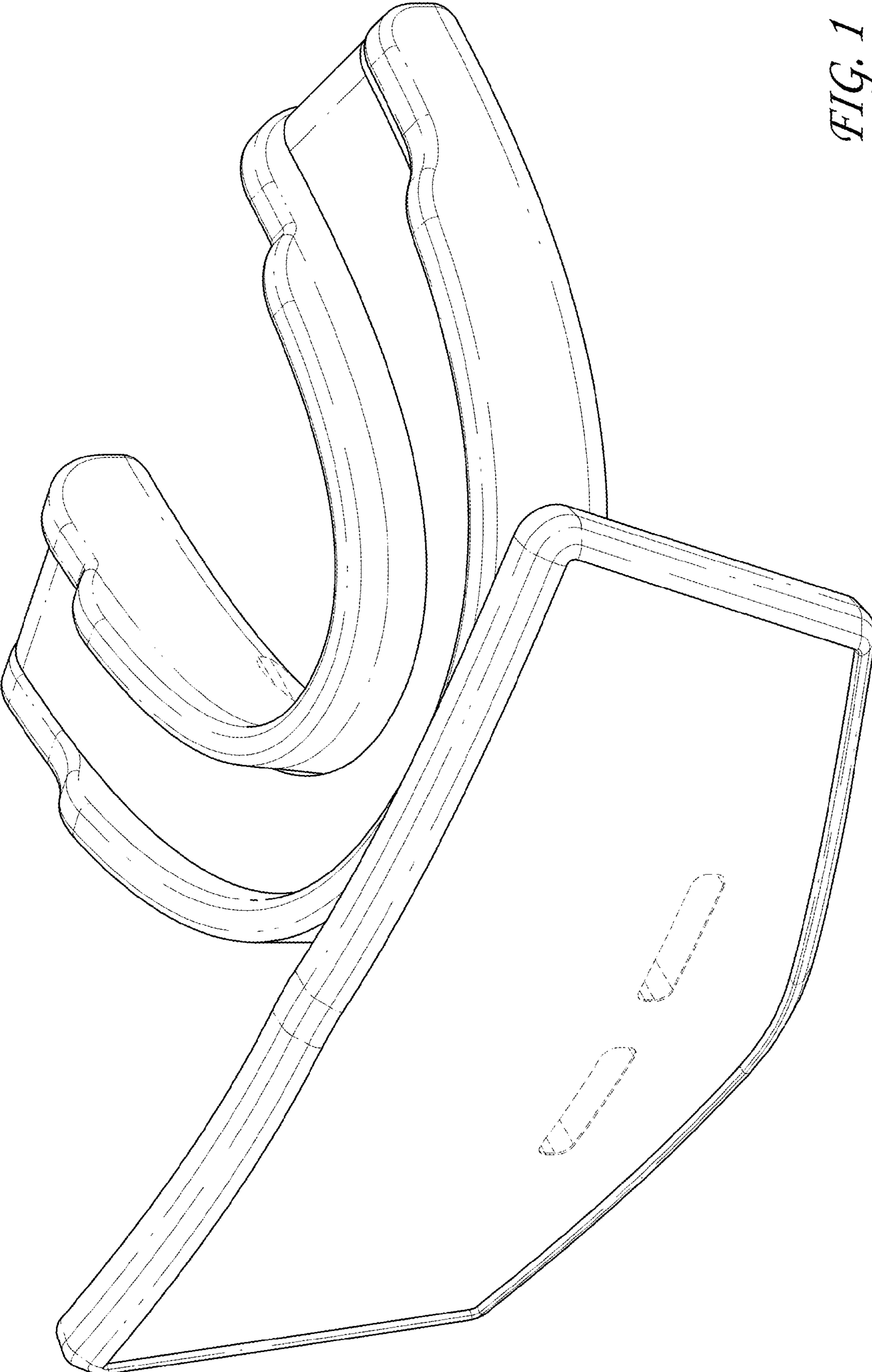


FIG. 1

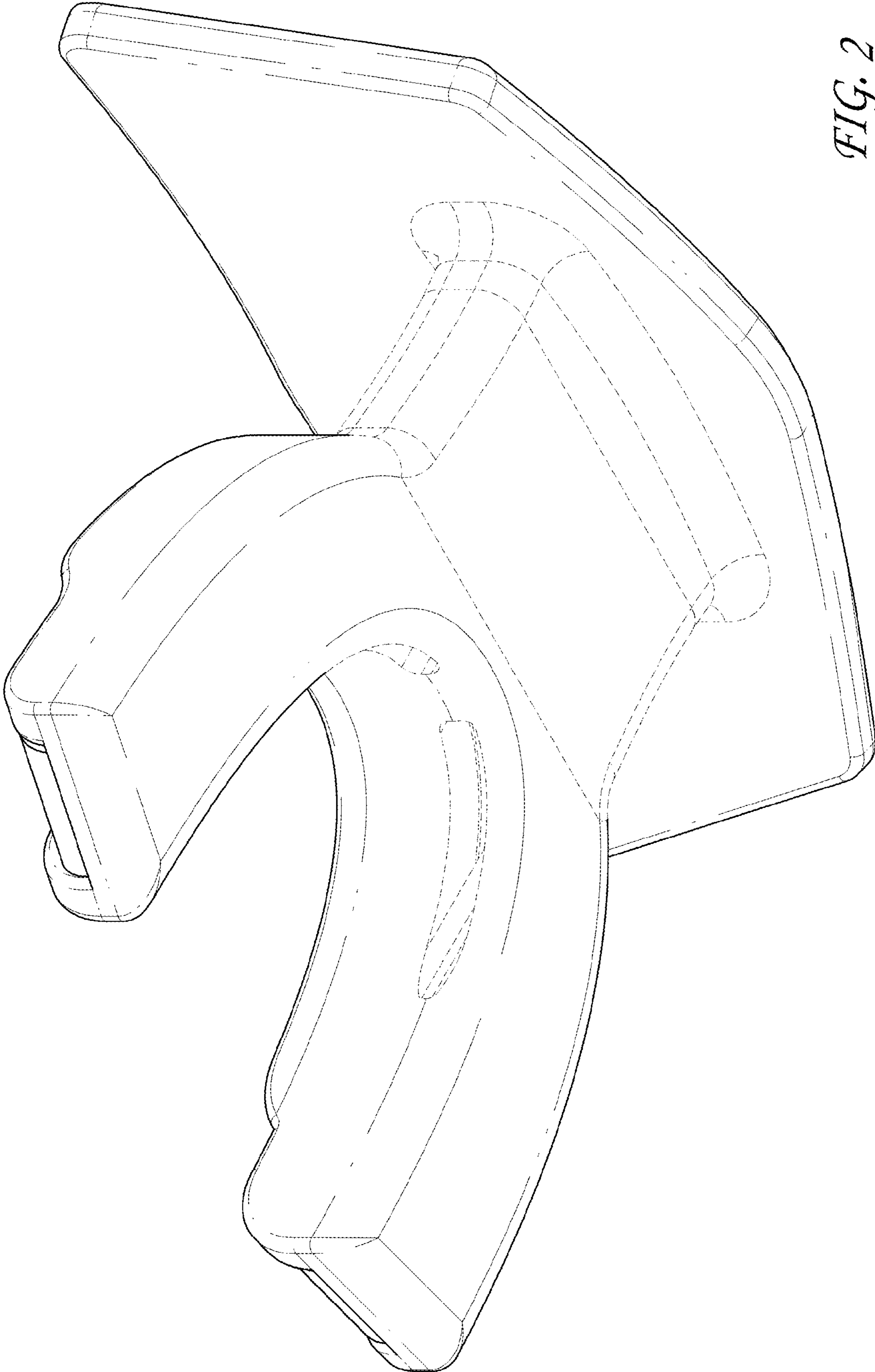


FIG. 2

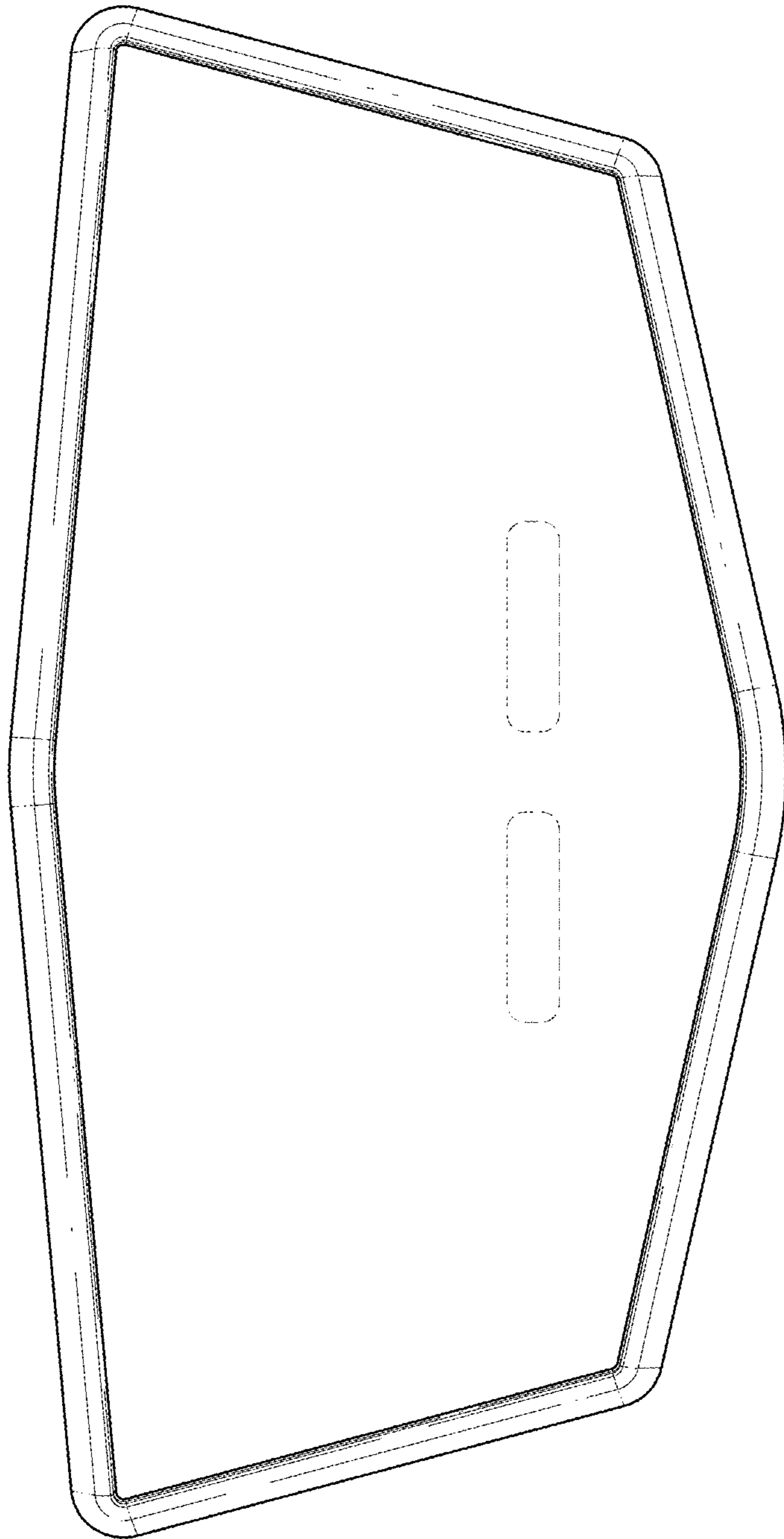


FIG. 3

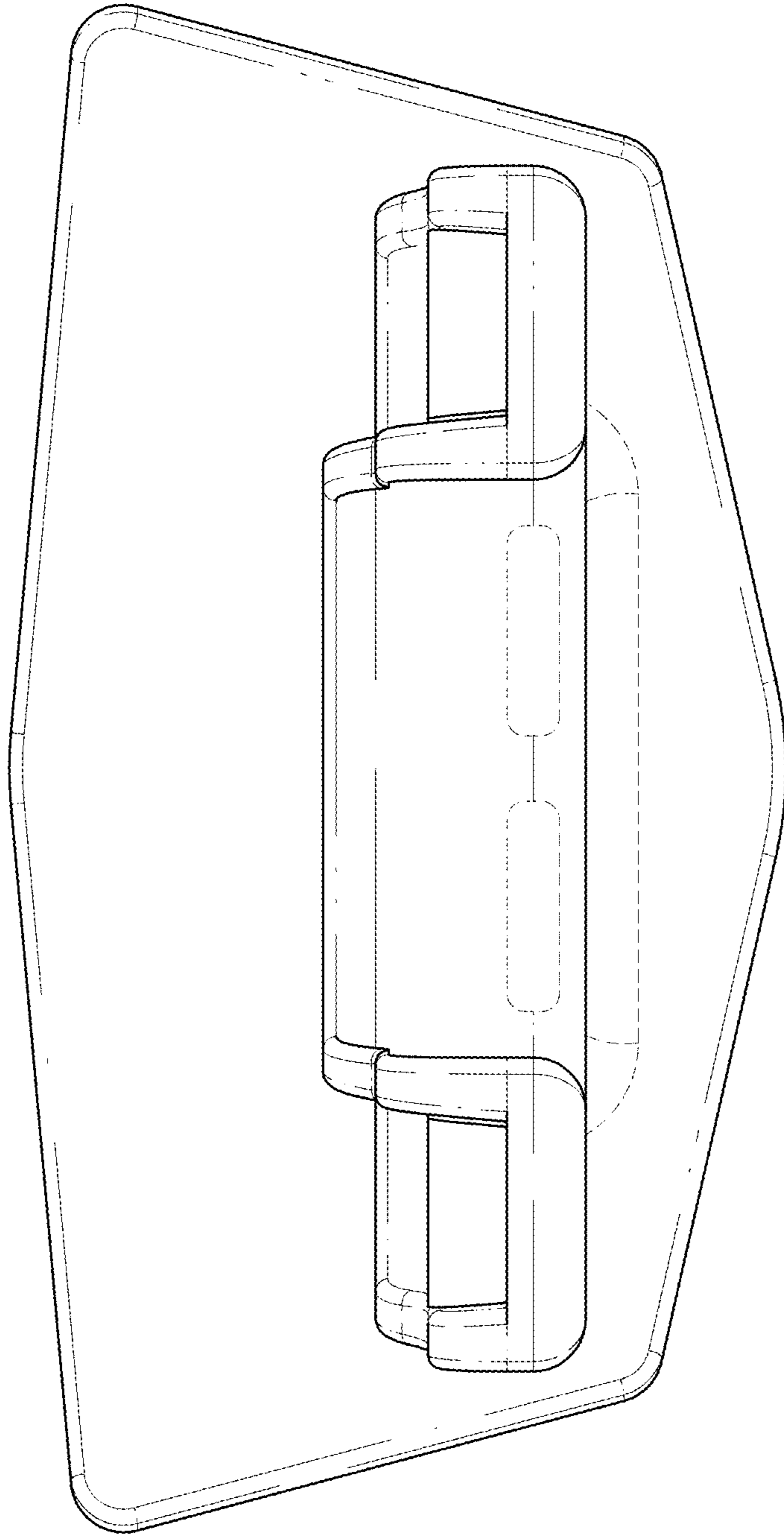


FIG. 4

FIG. 5

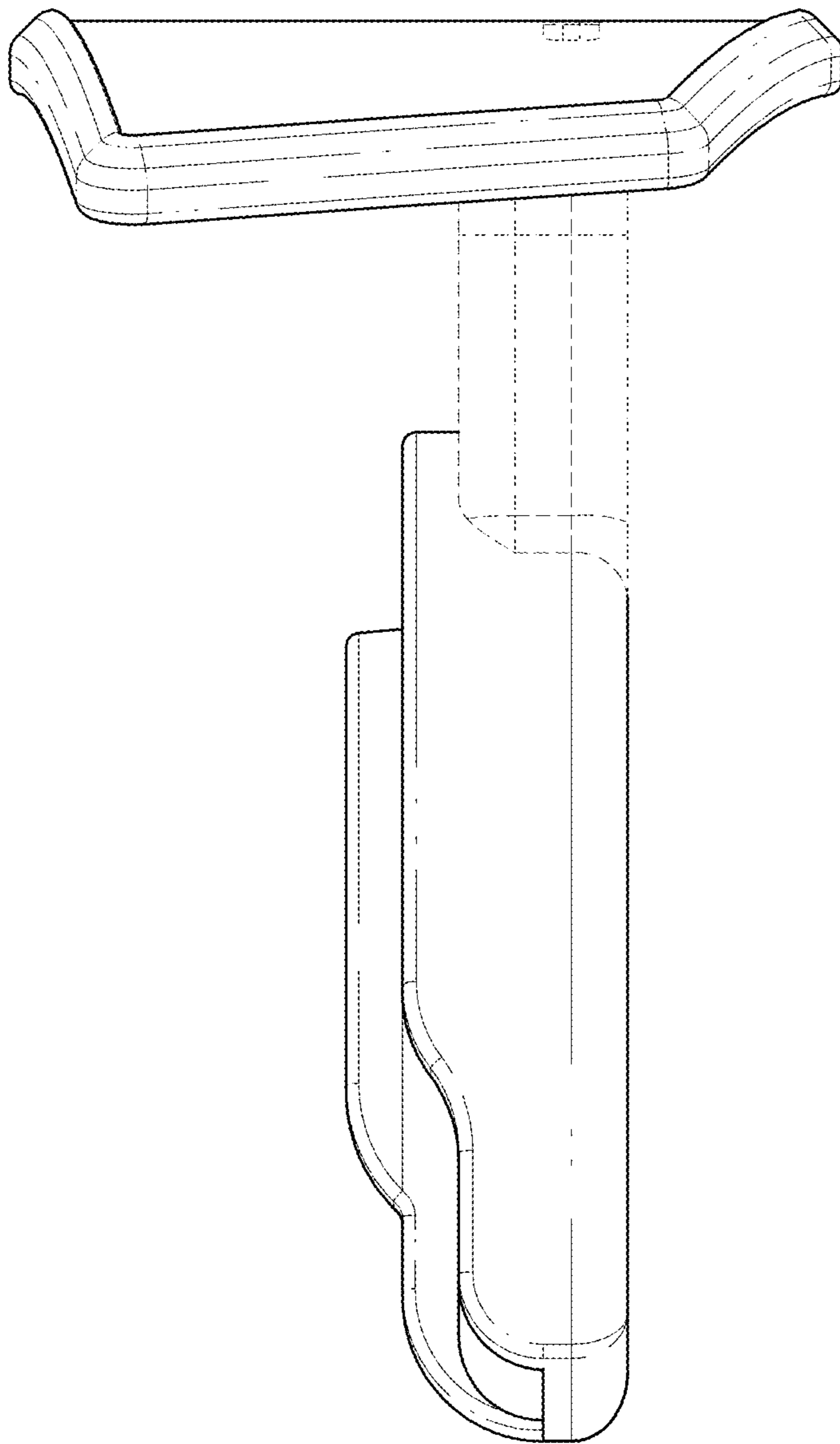
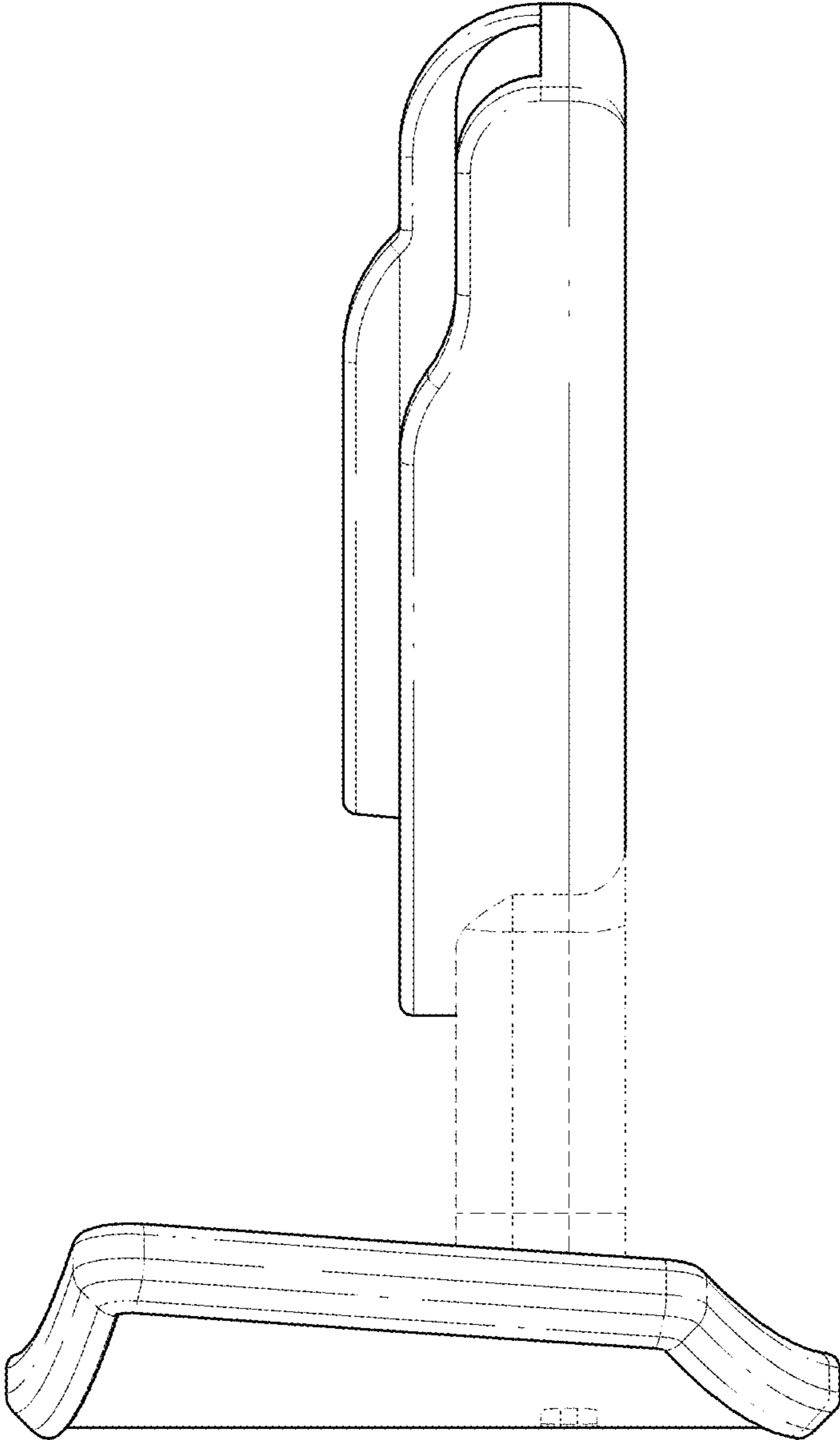


FIG. 6



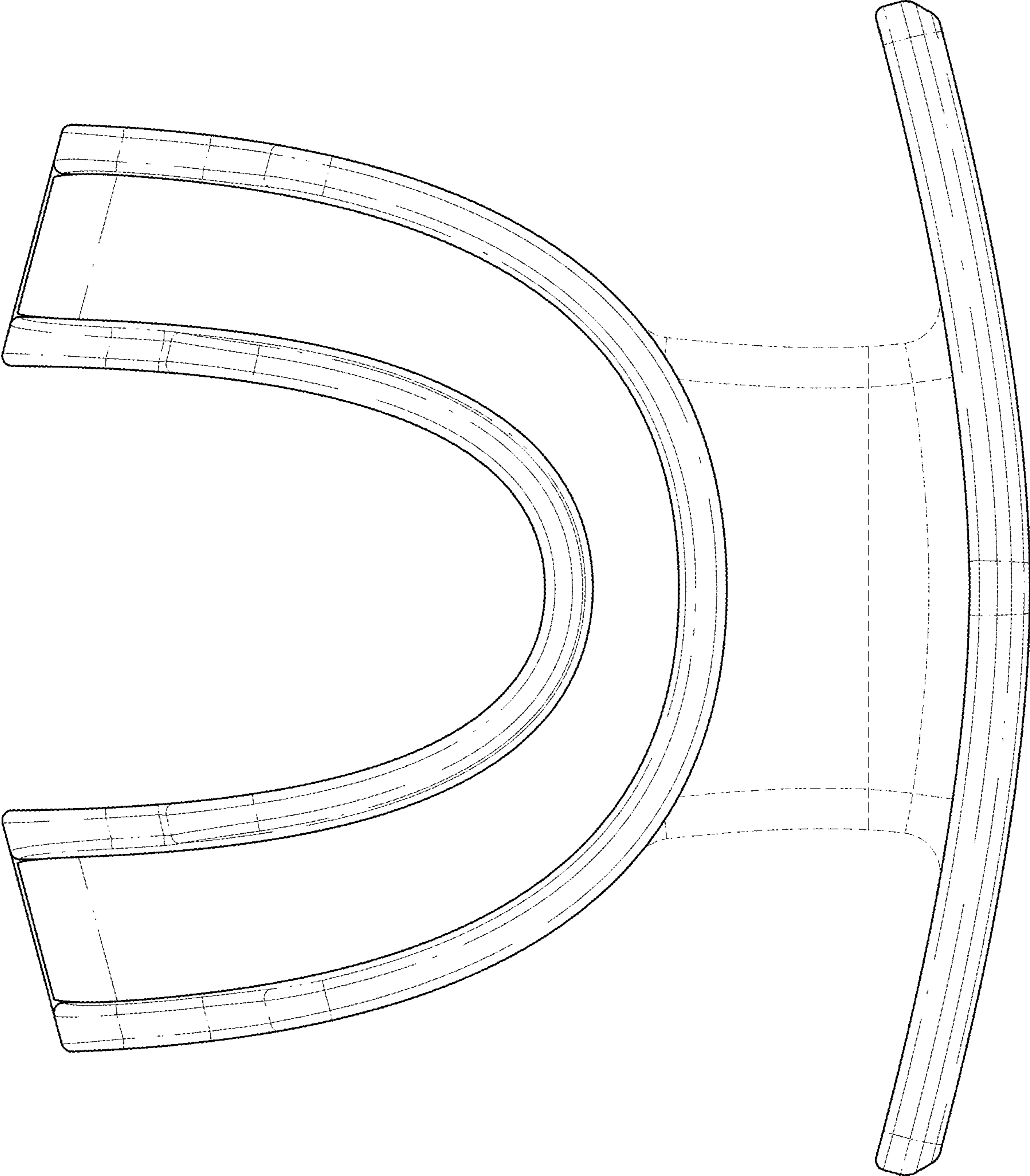


FIG. 7

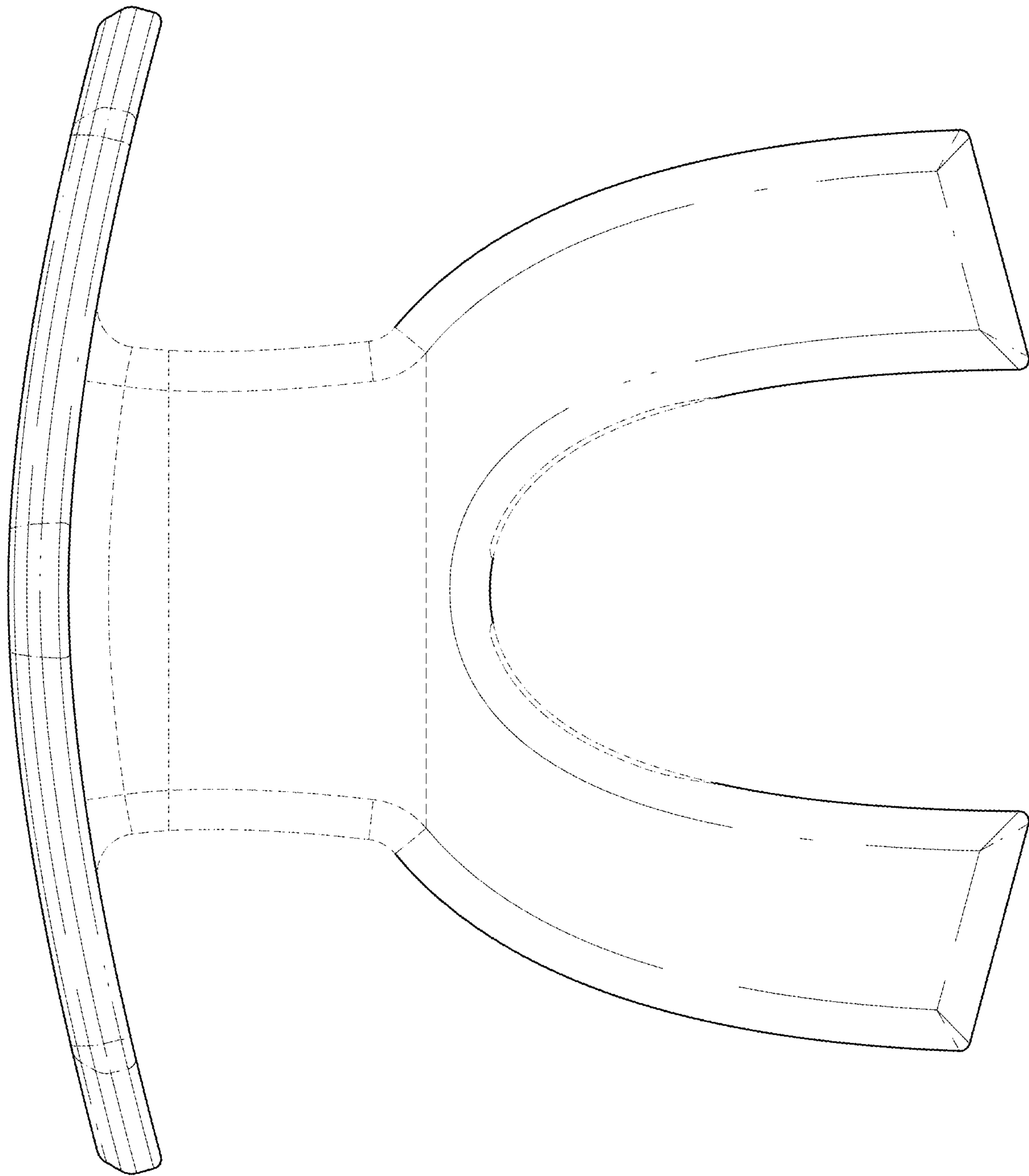


FIG. 8

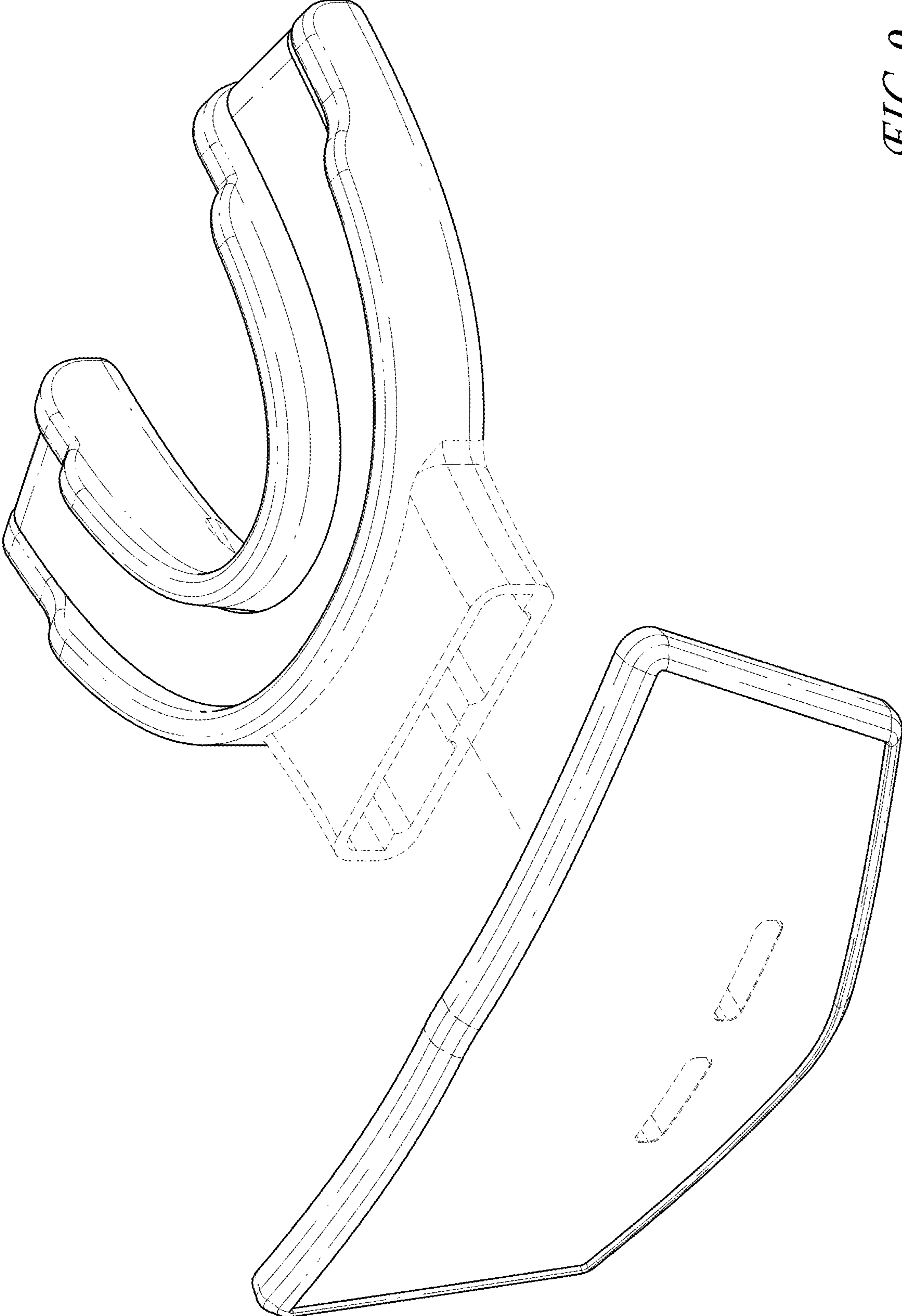


FIG. 9

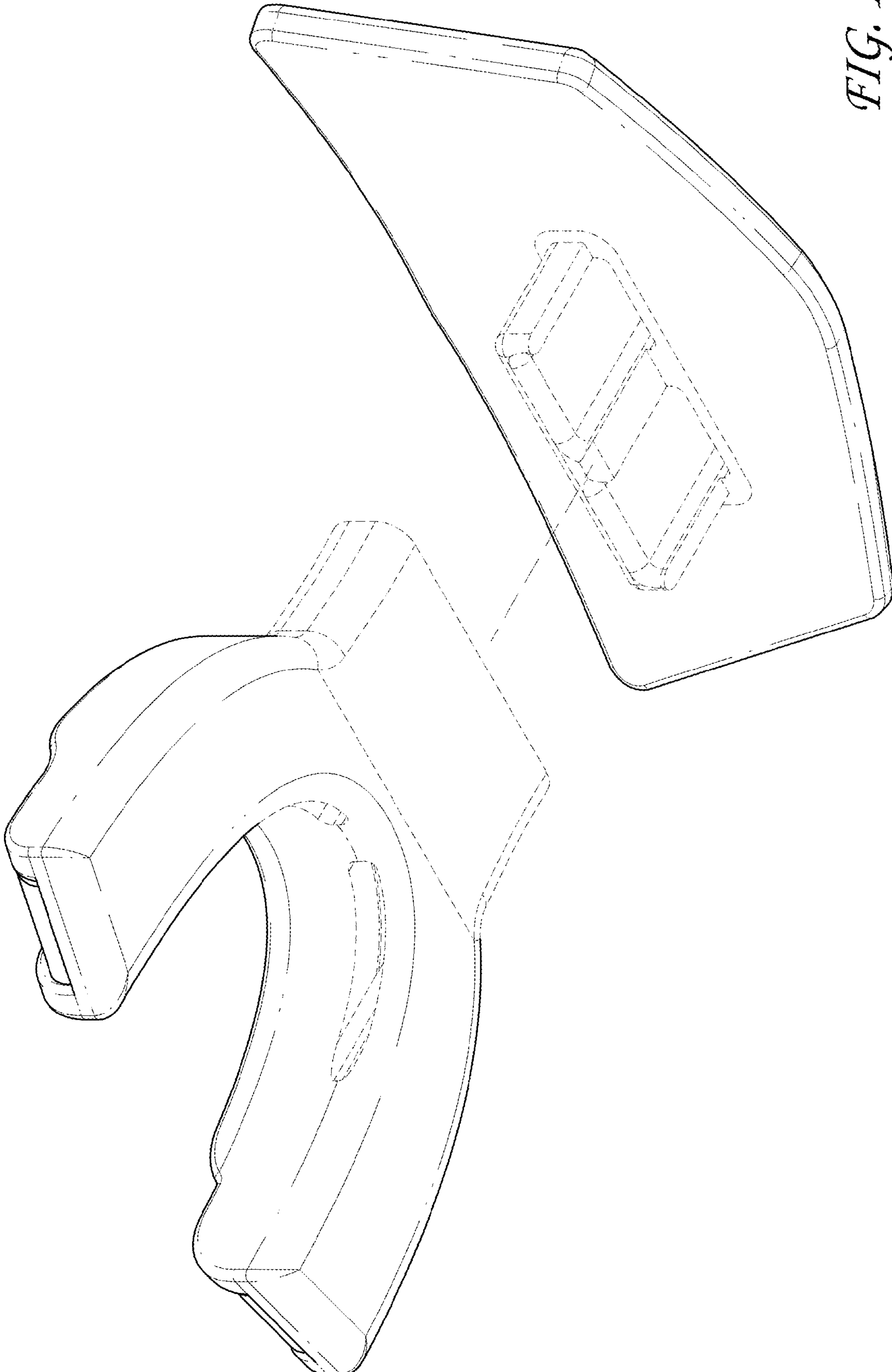


FIG. 10