



US00D885580S

(12) **United States Design Patent**
Xiao

(10) **Patent No.:** **US D885,580 S**

(45) **Date of Patent:** **** *May 26, 2020**

(54) **LUNG ISOLATION CATHETER FOR EQUILIBRIUM VENTILATION**

(71) Applicant: **Jinfang Xiao**, Guangzhou (CN)

(72) Inventor: **Jinfang Xiao**, Guangzhou (CN)

(*) Notice: This patent is subject to a terminal disclaimer.

(**) Term: **15 Years**

(21) Appl. No.: **29/598,787**

(22) Filed: **Mar. 29, 2017**

(51) **LOC (12) Cl.** **24-02**

(52) **U.S. Cl.**
USPC **D24/164**

(58) **Field of Classification Search**
USPC D24/164, 110, 110.5; D7/376; D13/112
CPC A61B 5/0017; A61B 17/34; A61B 1/2676;
A61H 31/005; A61H 23/06; A61N
5/0619; A61M 16/0066; A61M 16/06;
A61M 16/0463; A61M 16/0418; A61M
16/04; A61M 16/0465

See application file for complete search history.

(56) **References Cited**

U.S. PATENT DOCUMENTS

2,541,402	A *	2/1951	Caine	A61B 1/2676
					128/200.26
3,307,541	A *	3/1967	Hewson	A61H 31/005
					601/106
3,613,684	A *	10/1971	Sheridan	A61B 17/34
					128/207.29
4,589,410	A *	5/1986	Miller	A61M 16/0418
					128/207.15
4,745,910	A *	5/1988	Day	A61H 23/06
					601/107
4,817,598	A *	4/1989	LaBombard	A61M 16/0465
					128/207.14

4,825,859	A *	5/1989	Lambert	A61M 16/0463
					128/202.16
4,981,139	A *	1/1991	Pfohl	A61B 5/0017
					600/484
6,981,500	B2 *	1/2006	Li	B63C 11/205
					128/200.29
8,800,552	B2 *	8/2014	Burns	A61M 16/04
					128/200.24
D768,846	S *	10/2016	Nasir	D24/110
D769,442	S *	10/2016	Nasir	D24/110.5
D809,125	S *	1/2018	Kheong	D24/110
D827,808	S *	9/2018	Xiao	D24/110
10,118,008	B2 *	11/2018	Grashow	A61M 16/06
2015/0335851	A1 *	11/2015	Cullen	A61M 16/0066
					128/204.25

* cited by examiner

Primary Examiner — Rhea Shields

(57) **CLAIM**

The ornamental design for a lung isolation catheter for equilibrium ventilation, as shown and described.

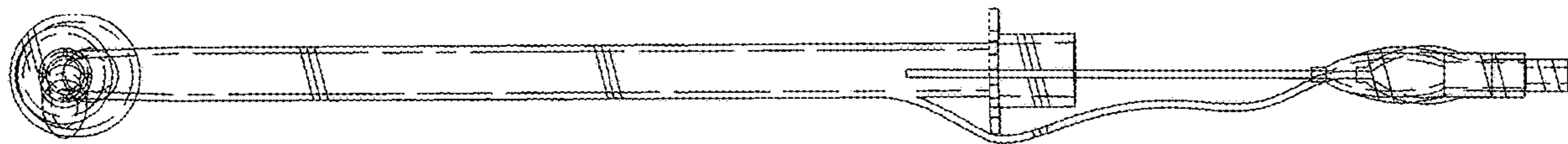
DESCRIPTION

FIG. 1 is a front elevational view of a lung isolation catheter for equilibrium ventilation showing my new design;
 FIG. 2 is a rear elevational view thereof;
 FIG. 3 is a left side view thereof;
 FIG. 4 is an enlarged view taken from FIG. 3;
 FIG. 5 is a right side view thereof;
 FIG. 6 is a top plan view thereof;
 FIG. 7 is a bottom plan view thereof;
 FIG. 8 is an enlarged view taken from FIG. 7;
 FIG. 9 is a perspective view thereof; and,
 FIG. 10 is an enlarged view taken from FIG. 9.

In the drawings, the broken lines are for the purpose of illustrating environment only and form no part of the claimed design.

The dash-dot line shown in FIG. 9 indicating the enlarged portions of FIGS. 11-12 form no part of the claim design.

1 Claim, 10 Drawing Sheets



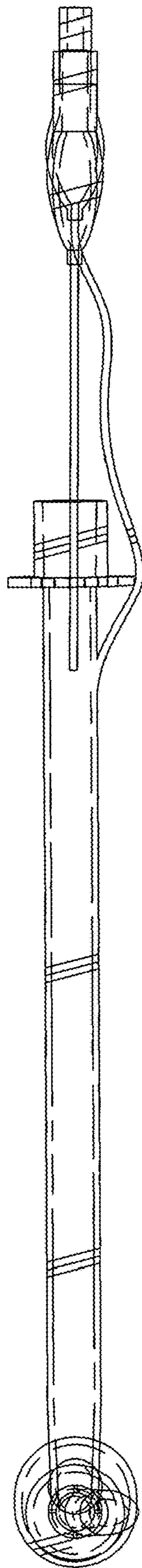


Fig. 1

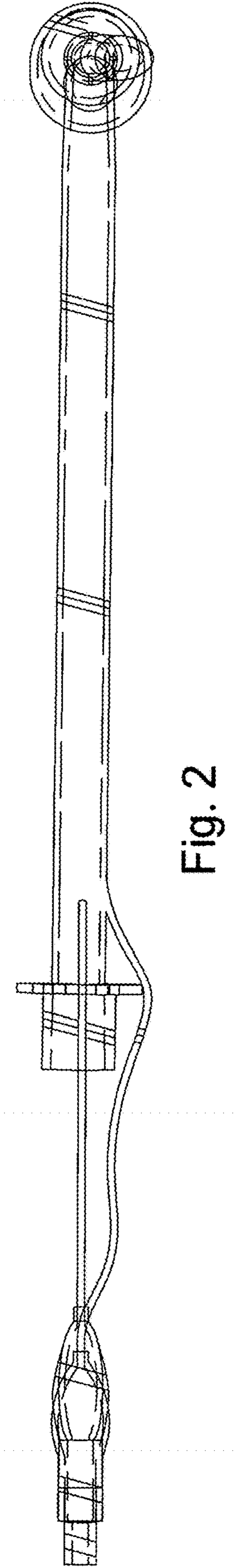


Fig. 2

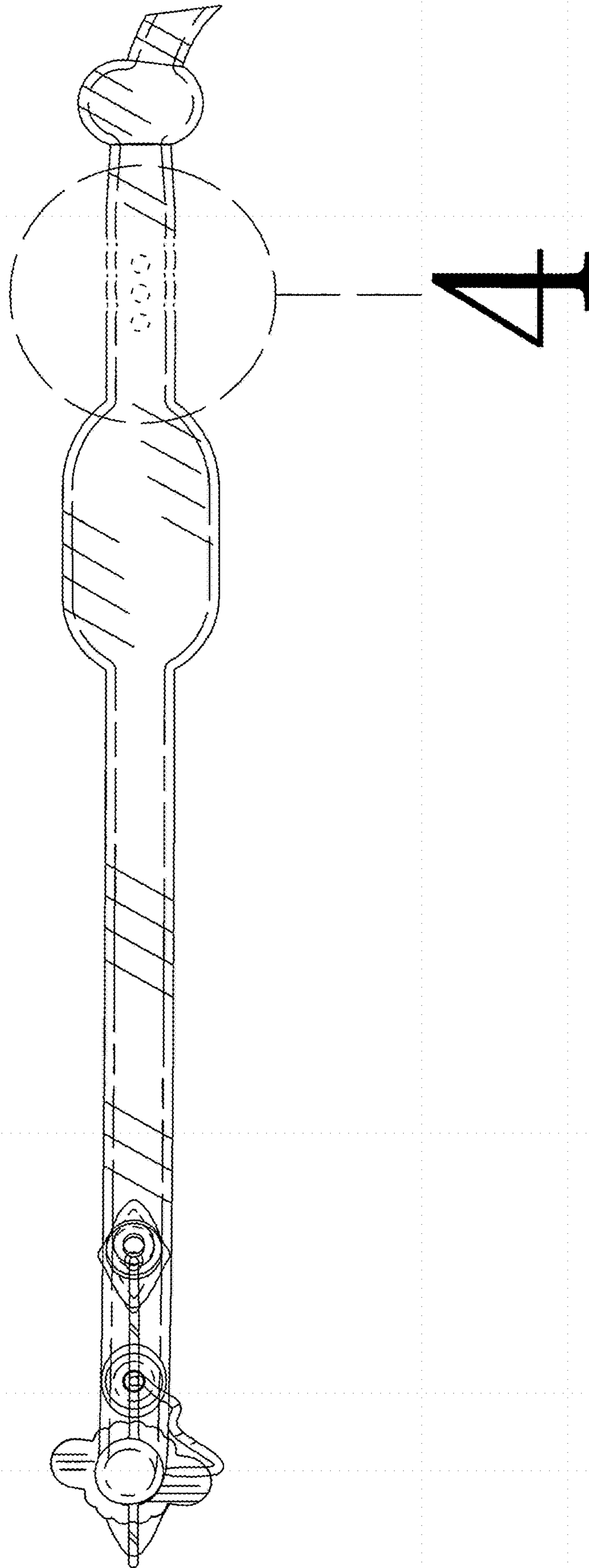


Fig. 3

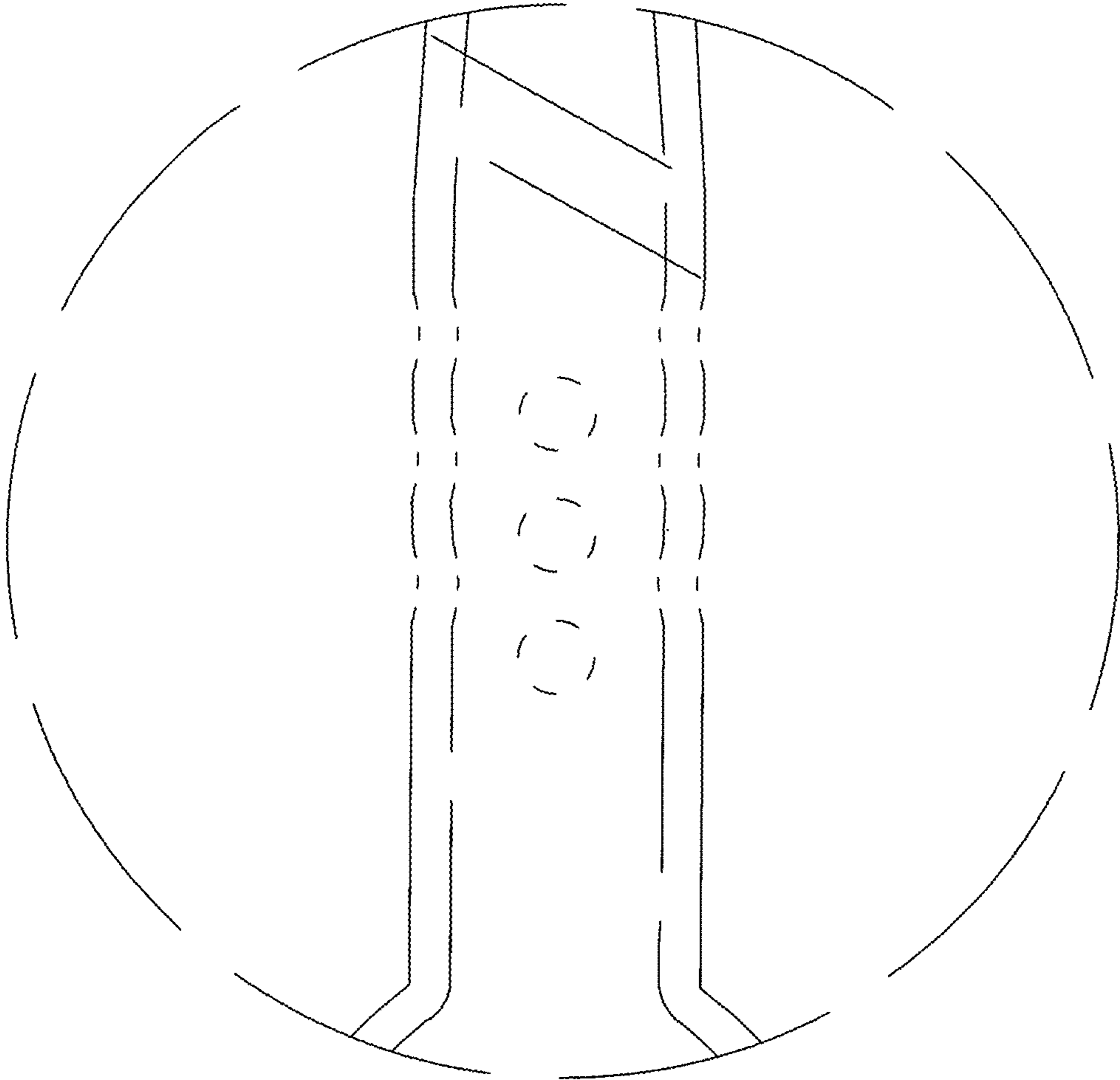


Fig. 4

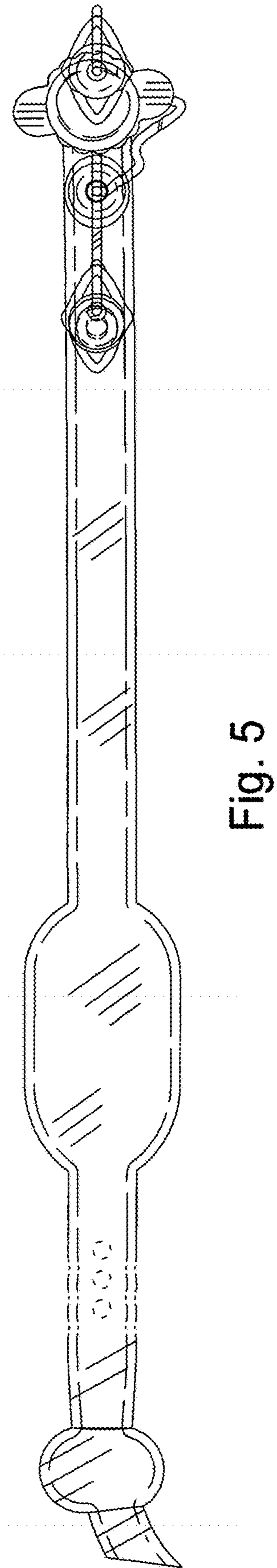


Fig. 5

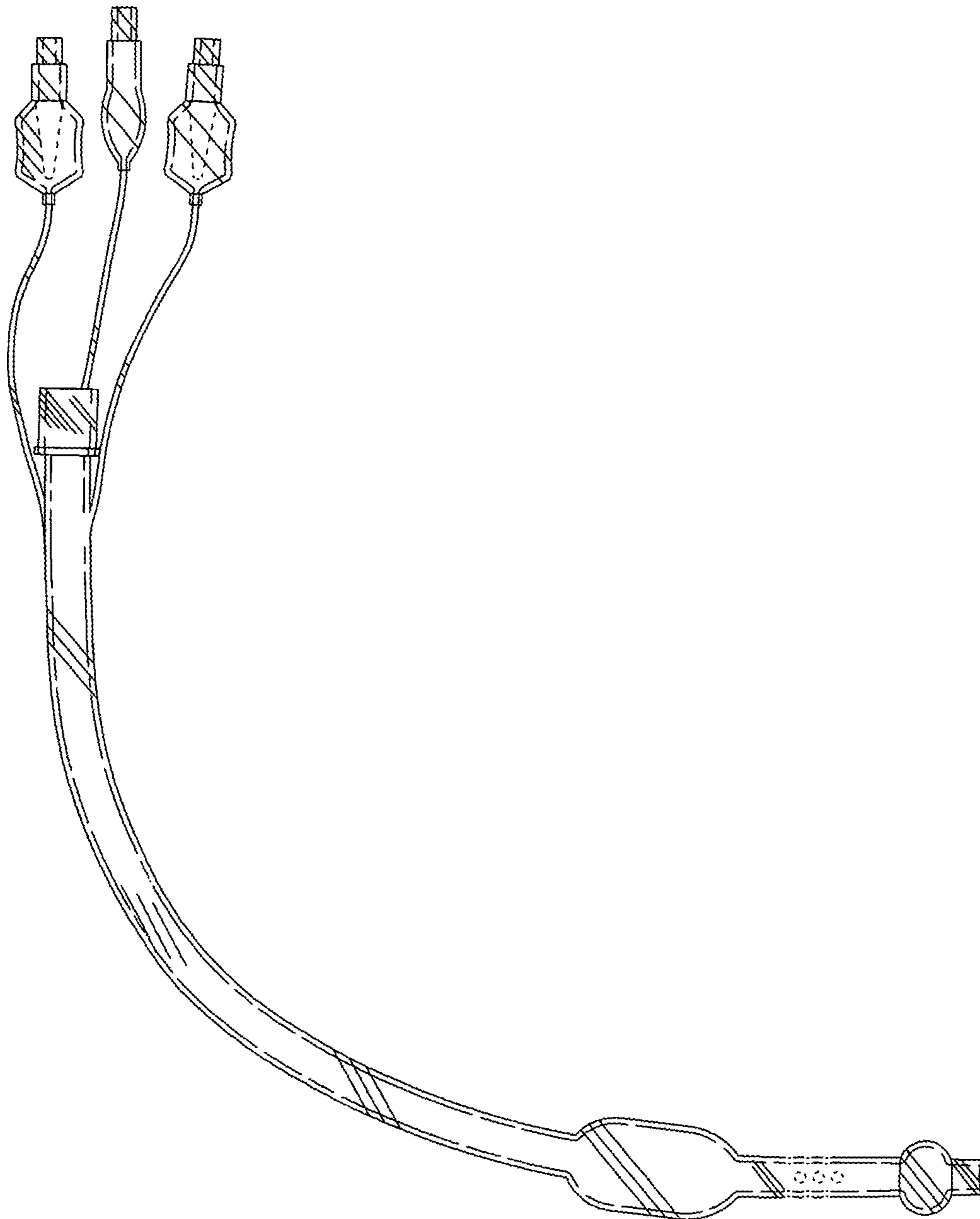


Fig. 6

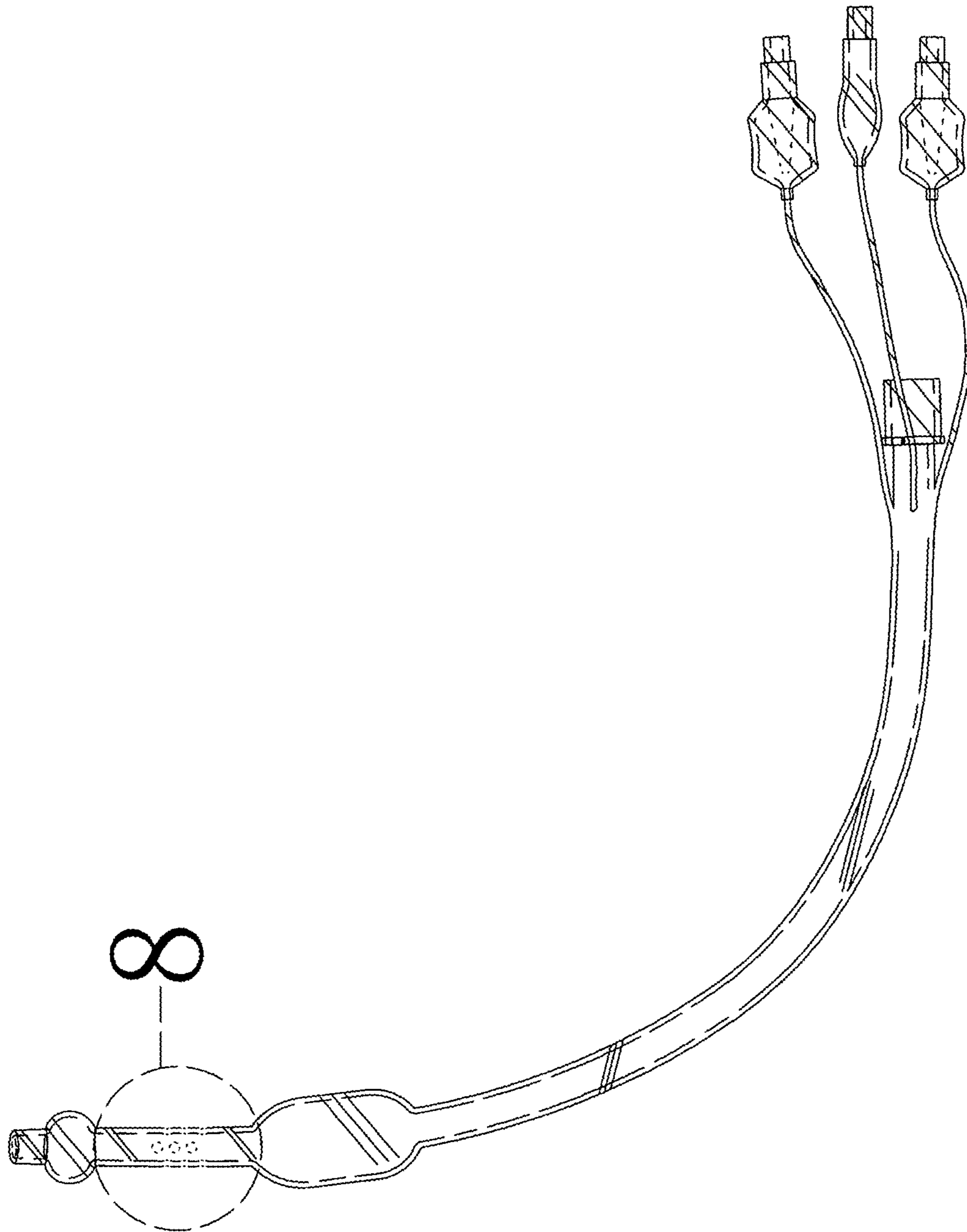


Fig. 7

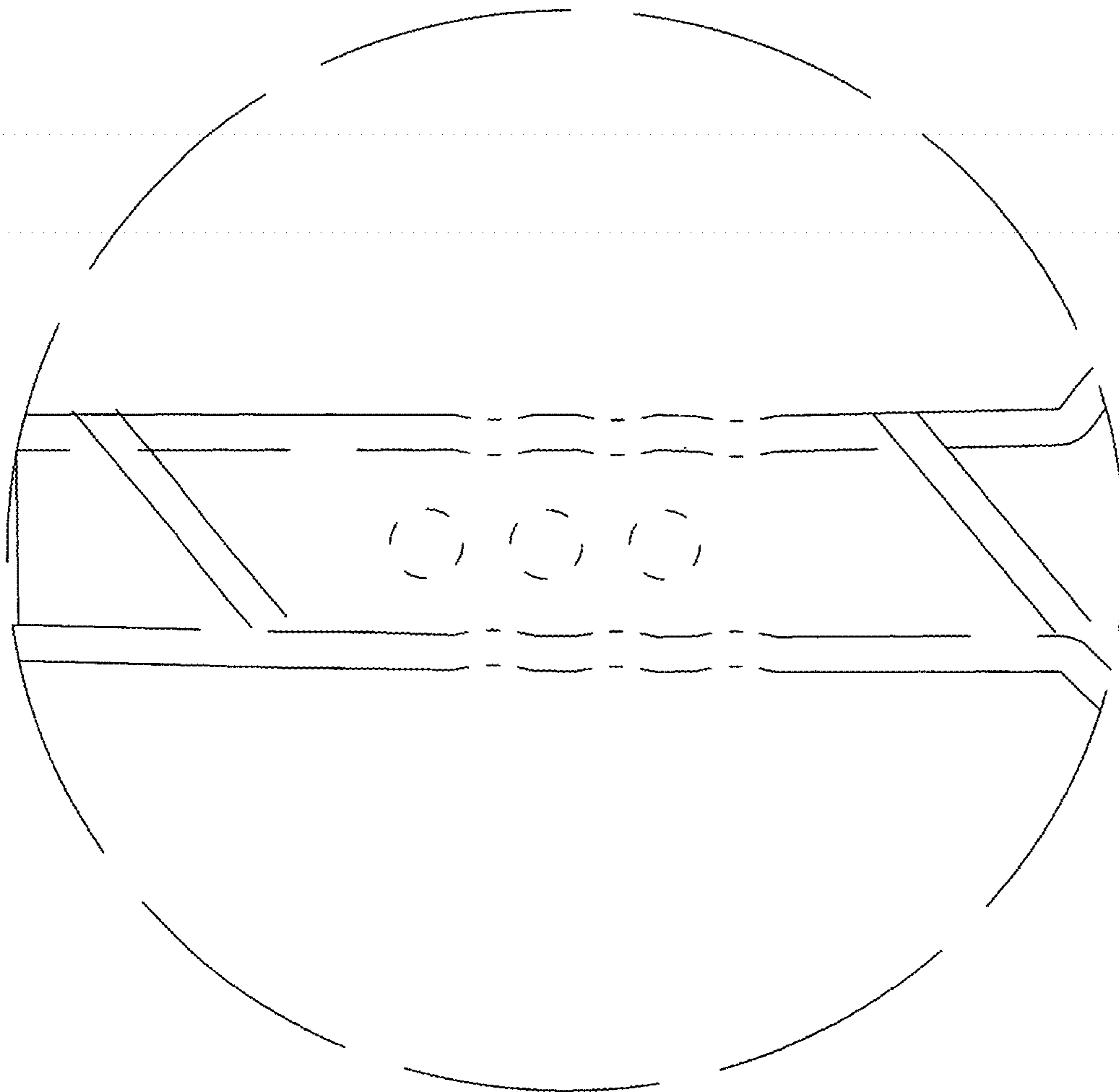


Fig. 8

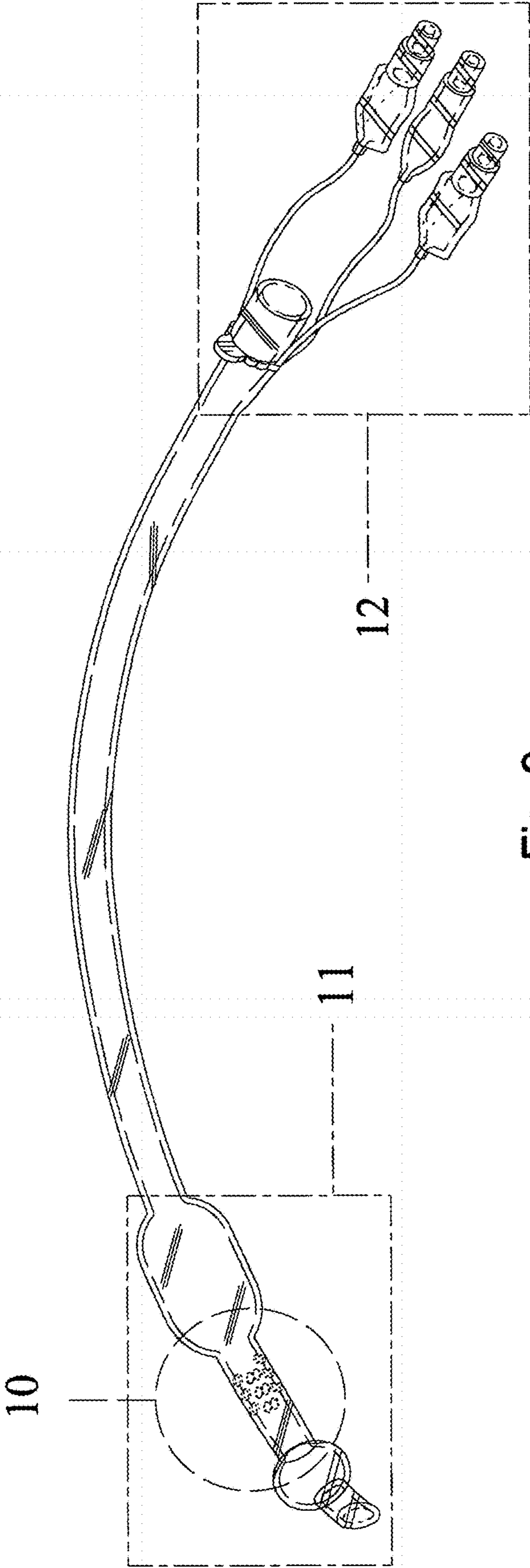


Fig. 9

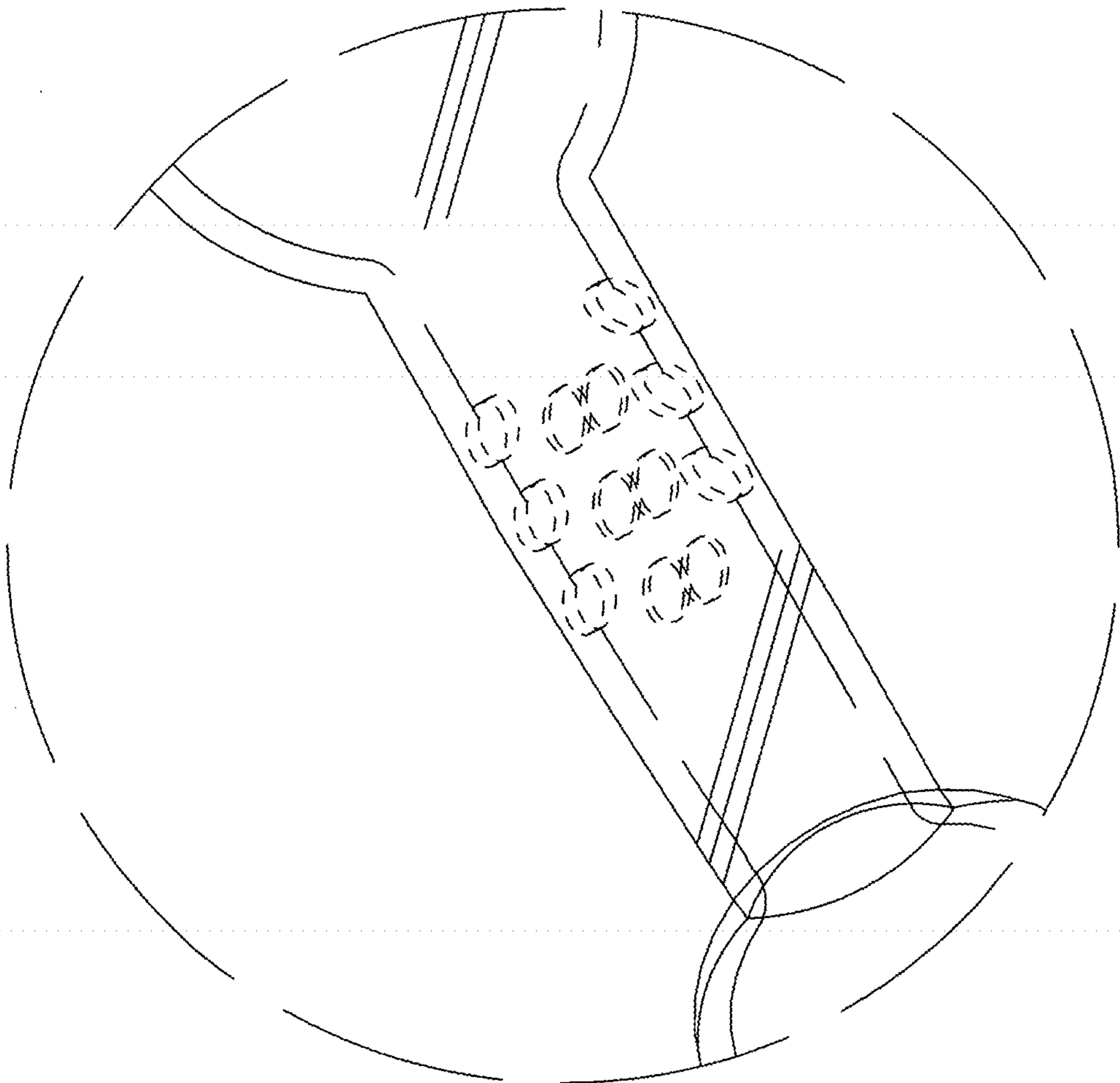


Fig. 10