



US00D885579S

(12) **United States Design Patent**
Takahashi

(10) **Patent No.:** **US D885,579 S**

(45) **Date of Patent:** **** May 26, 2020**

(54) **X-RAY IRRADIATION APPARATUS**

(71) Applicant: **FUJIFILM Corporation**, Tokyo (JP)

(72) Inventor: **Keiichiro Takahashi**,
Ashigarakami-gun (JP)

(73) Assignee: **FUJIFILM Corporation**, Tokyo (JP)

(**) Term: **15 Years**

(21) Appl. No.: **29/665,267**

(22) Filed: **Oct. 2, 2018**

(30) **Foreign Application Priority Data**

Apr. 3, 2018 (JP) 2018-007342

Apr. 3, 2018 (JP) 2018-007343

(51) **LOC (12) Cl.** **24-01**

(52) **U.S. Cl.**
USPC **D24/158**

(58) **Field of Classification Search**

USPC D24/107, 158-161, 185, 186, 231;
D16/200, 202, 206, 208, 219

(Continued)

(56) **References Cited**

U.S. PATENT DOCUMENTS

D525,638 S * 7/2006 Nakamura D16/202

D671,217 S * 11/2012 Moon D24/158

(Continued)

Primary Examiner — Anhdao Doan

(74) *Attorney, Agent, or Firm* — Sughrue Mion, PLLC

(57) **CLAIM**

The ornamental design for an X-ray irradiation apparatus, as shown and described.

DESCRIPTION

FIG. 1 is a top, front and left side perspective view of an X-ray irradiation apparatus showing my new design;

FIG. 2 is a top, rear and right side perspective view thereof;

FIG. 3 is a front elevational view thereof;

FIG. 4 is a rear elevational view thereof;

FIG. 5 is a top plan view thereof;

FIG. 6 is a bottom plan view thereof;

FIG. 7 is a left side elevational view thereof;

FIG. 8 is a right side elevational view thereof;

FIG. 9 is a top, front and left side perspective view thereof in a state that a guard part is removed from the state shown in FIG. 1;

FIG. 10 is a top, rear and right side perspective view thereof in a state that the guard part is removed from the state shown in FIG. 2;

FIG. 11 is a top plan view thereof in a state that the guard part is removed from the state shown in FIG. 5;

FIG. 12 is a bottom plan view thereof in a state that the guard part is removed from the state shown in FIG. 6;

FIG. 13 is a left side elevational view thereof in a state that the guard part is removed from the state shown in FIG. 7;

FIG. 14 is a right side elevational view thereof in a state that the guard part is removed from the state shown in FIG. 8;

FIG. 15 is a top, front and left side perspective view of an X-ray irradiation apparatus showing a second embodiment of my new design;

FIG. 16 is a top, rear and right side perspective view thereof;

FIG. 17 is a front elevational view thereof;

FIG. 18 is a rear elevational view thereof;

FIG. 19 is a top plan view thereof;

FIG. 20 is a bottom plan view thereof;

FIG. 21 is a left side elevational view thereof;

FIG. 22 is a right side elevational view thereof;

FIG. 23 is a top, front and left side perspective view thereof in a state that a guard part is removed from the state shown in FIG. 15;

FIG. 24 is a top, rear and right side perspective view thereof in a state that the guard part is removed from the state shown in FIG. 16;

FIG. 25 is a top plan view thereof in a state that the guard part is removed from the state shown in FIG. 19;

FIG. 26 is a bottom plan view thereof in a state that the guard part is removed from the state shown in FIG. 20;

FIG. 27 is a left side elevational view thereof in a state that the guard part is removed from the state shown in FIG. 21; and,

(Continued)

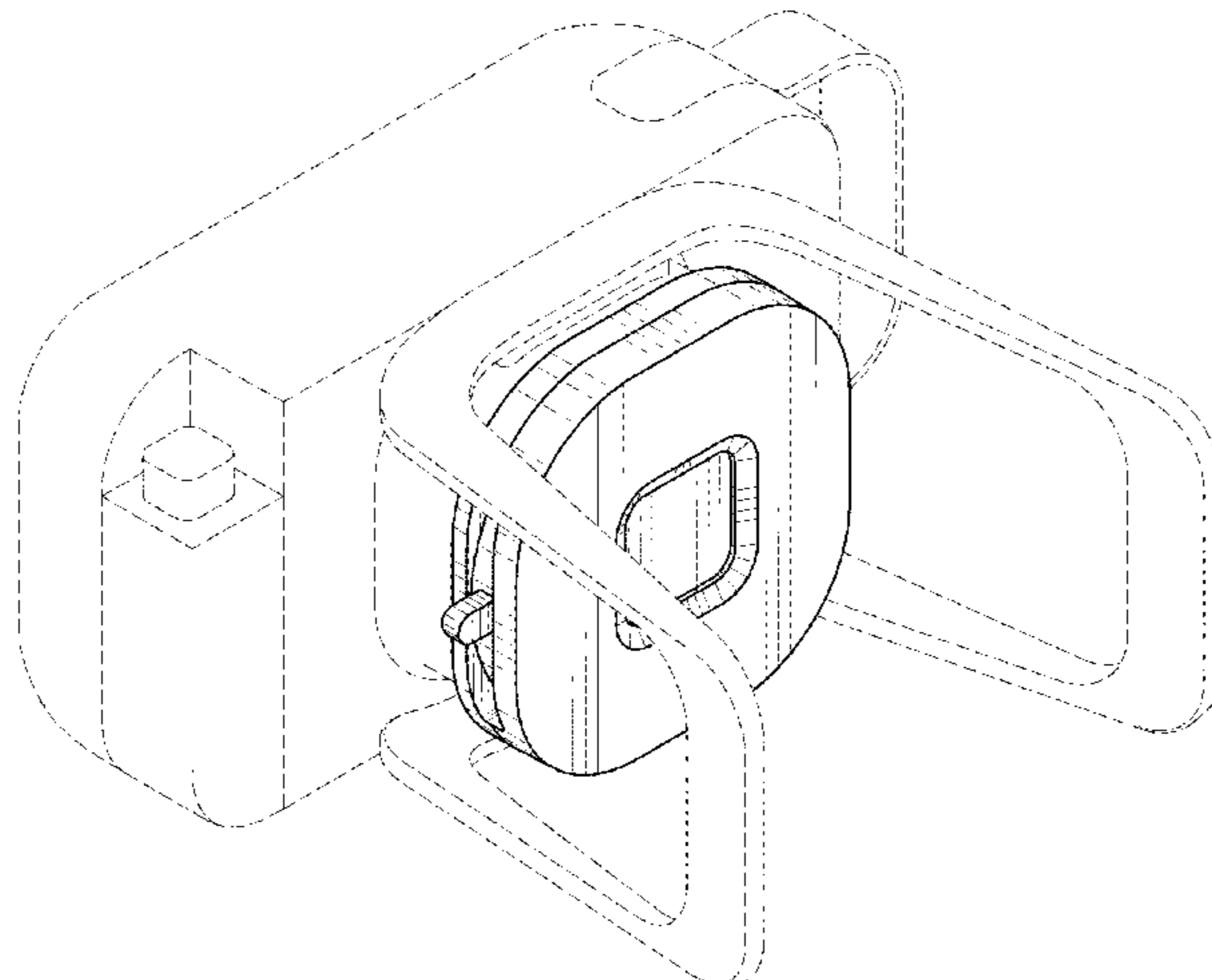


FIG. 28 is a right side elevational view thereof in a state that the guard part is removed from the state shown in FIG. 22. The broken lines showing the portions of the X-ray irradiation apparatus in all views shown represent unclaimed subject matter and form no part of the claimed design.

1 Claim, 28 Drawing Sheets

(58) **Field of Classification Search**

CPC A61B 6/08; A61B 6/4405; A61B 6/4411;
A61B 6/467; A61B 6/542; H01J 35/02;
H05G 1/06; G21K 1/04

See application file for complete search history.

(56) **References Cited**

U.S. PATENT DOCUMENTS

D681,814 S *	5/2013	Nenoki	378/197
D702,351 S *	4/2014	Li	D24/158
D703,322 S *	4/2014	Hayman	D24/158
D745,165 S *	12/2015	McGinley	D24/159
10,340,053 B2 *	7/2019	Kawahara	A61B 6/40
2016/0287194 A1 *	10/2016	Nariyuki	A61B 6/107

* cited by examiner

FIG. 1

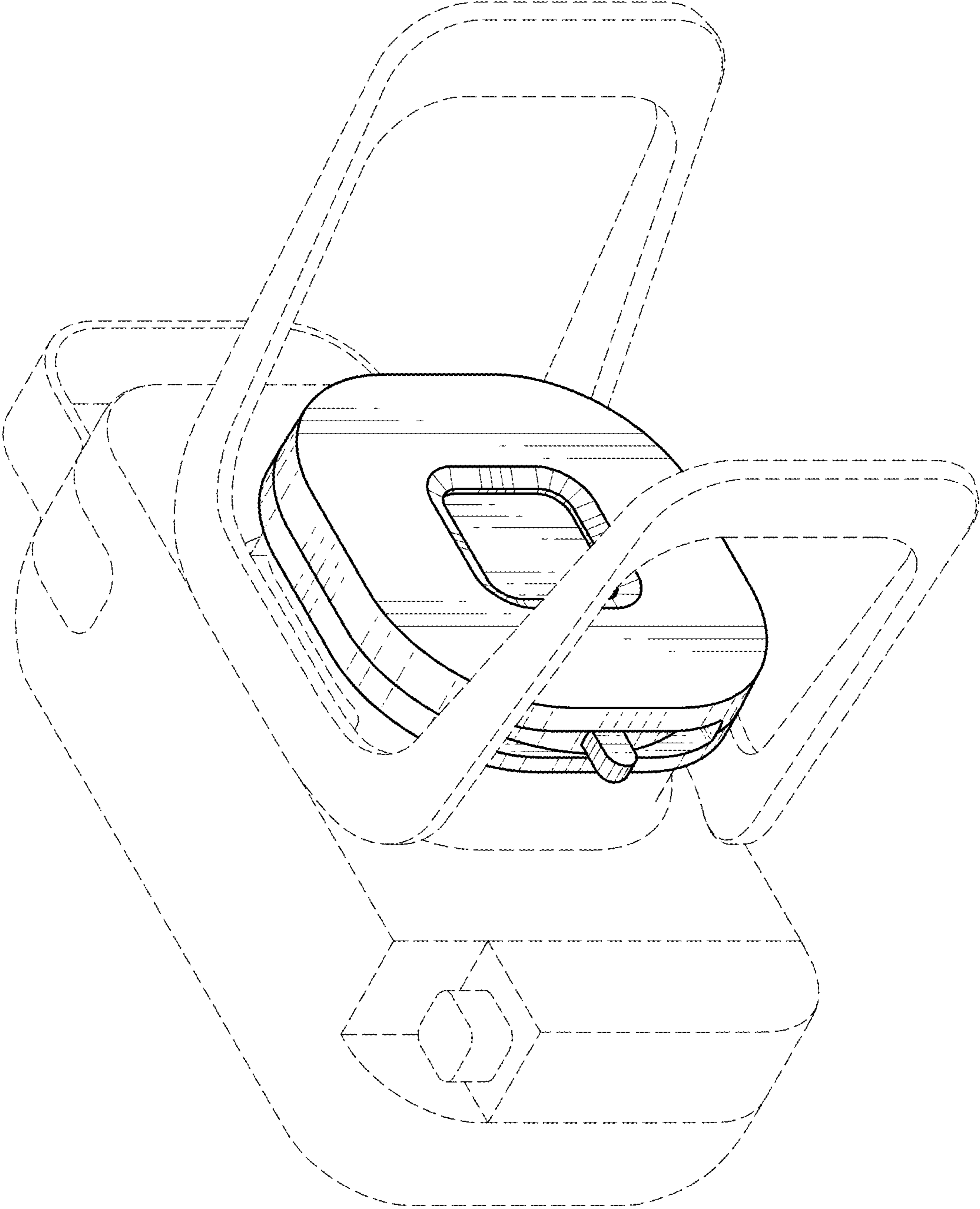


FIG.2

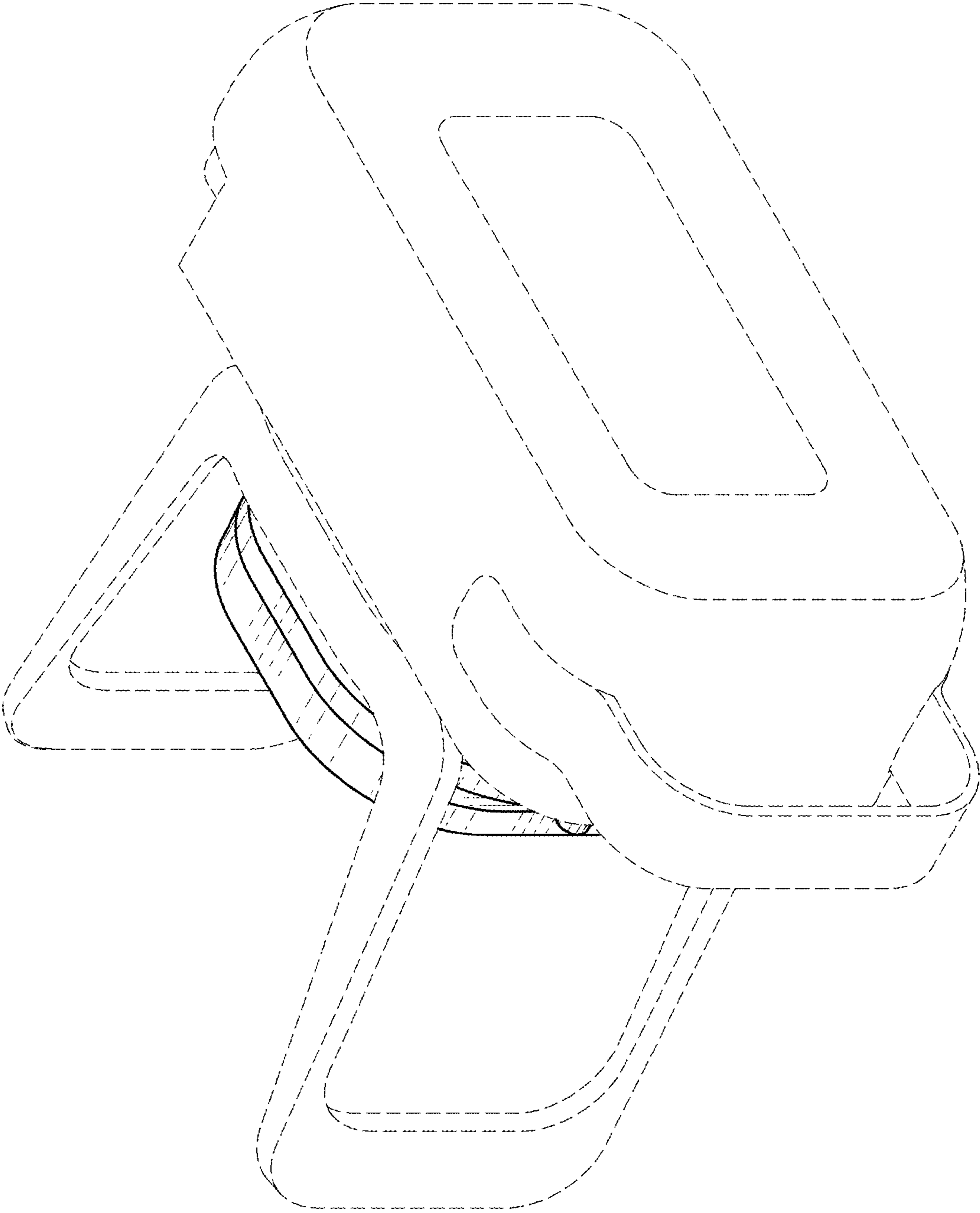


FIG. 3

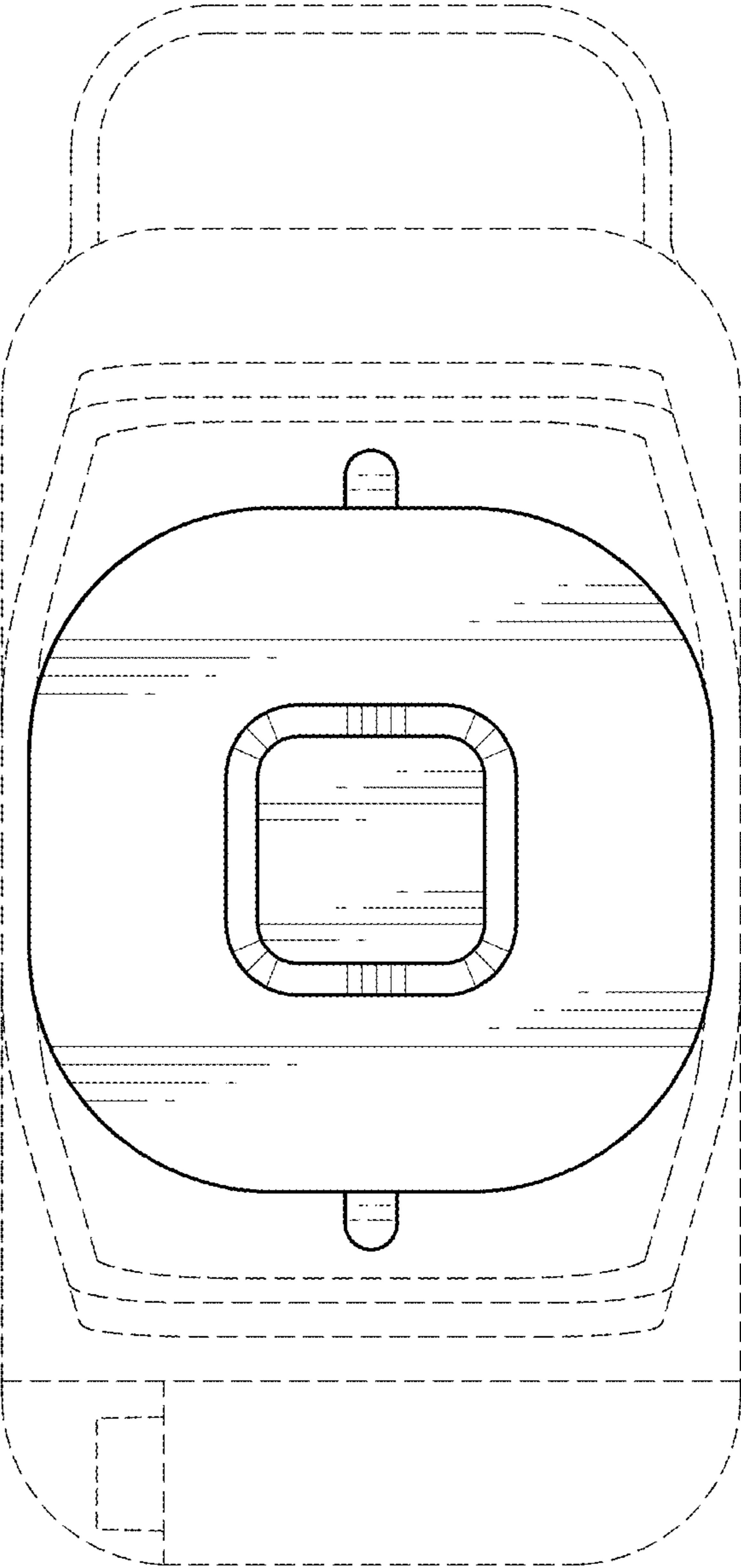


FIG. 4

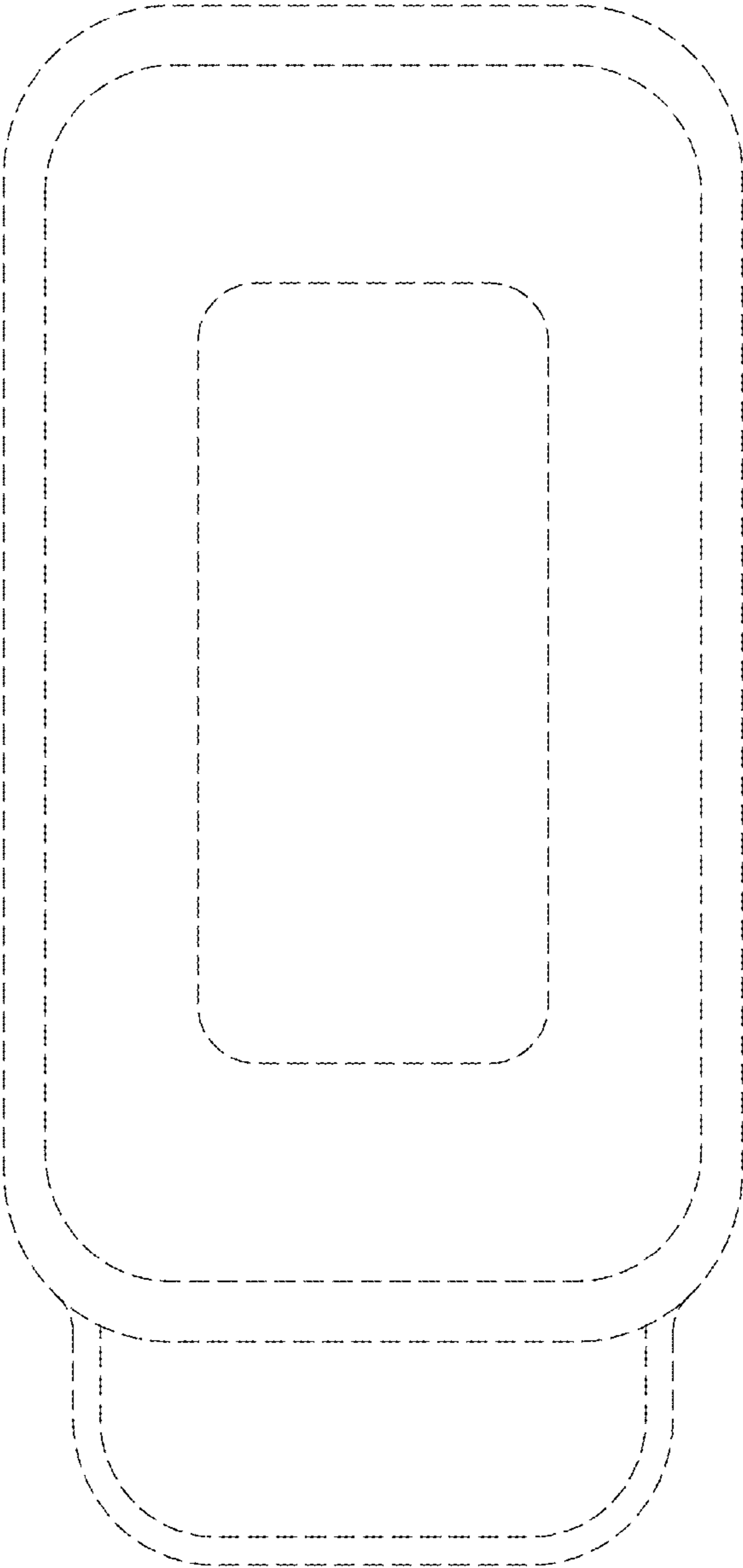


FIG. 5

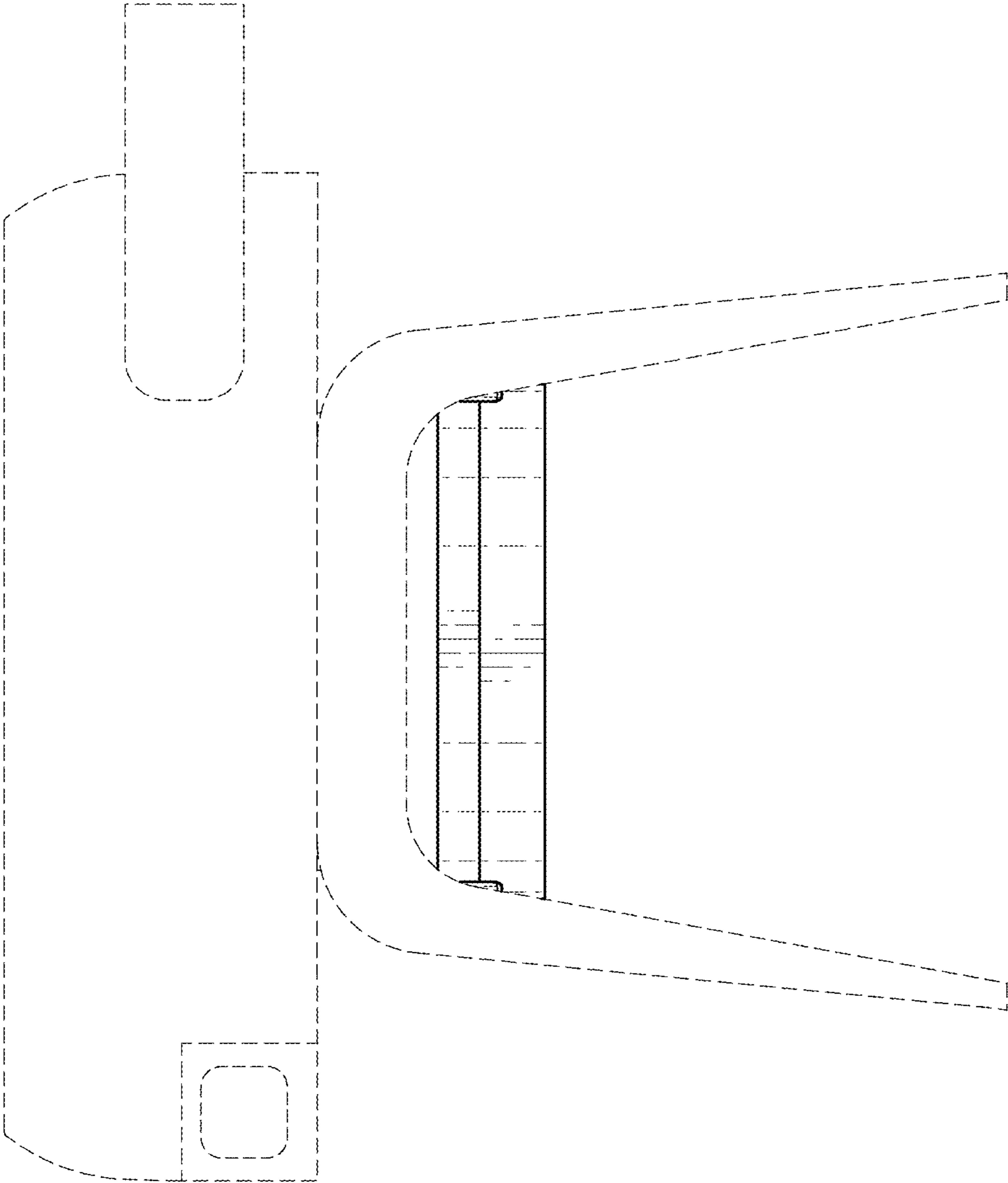


FIG.6

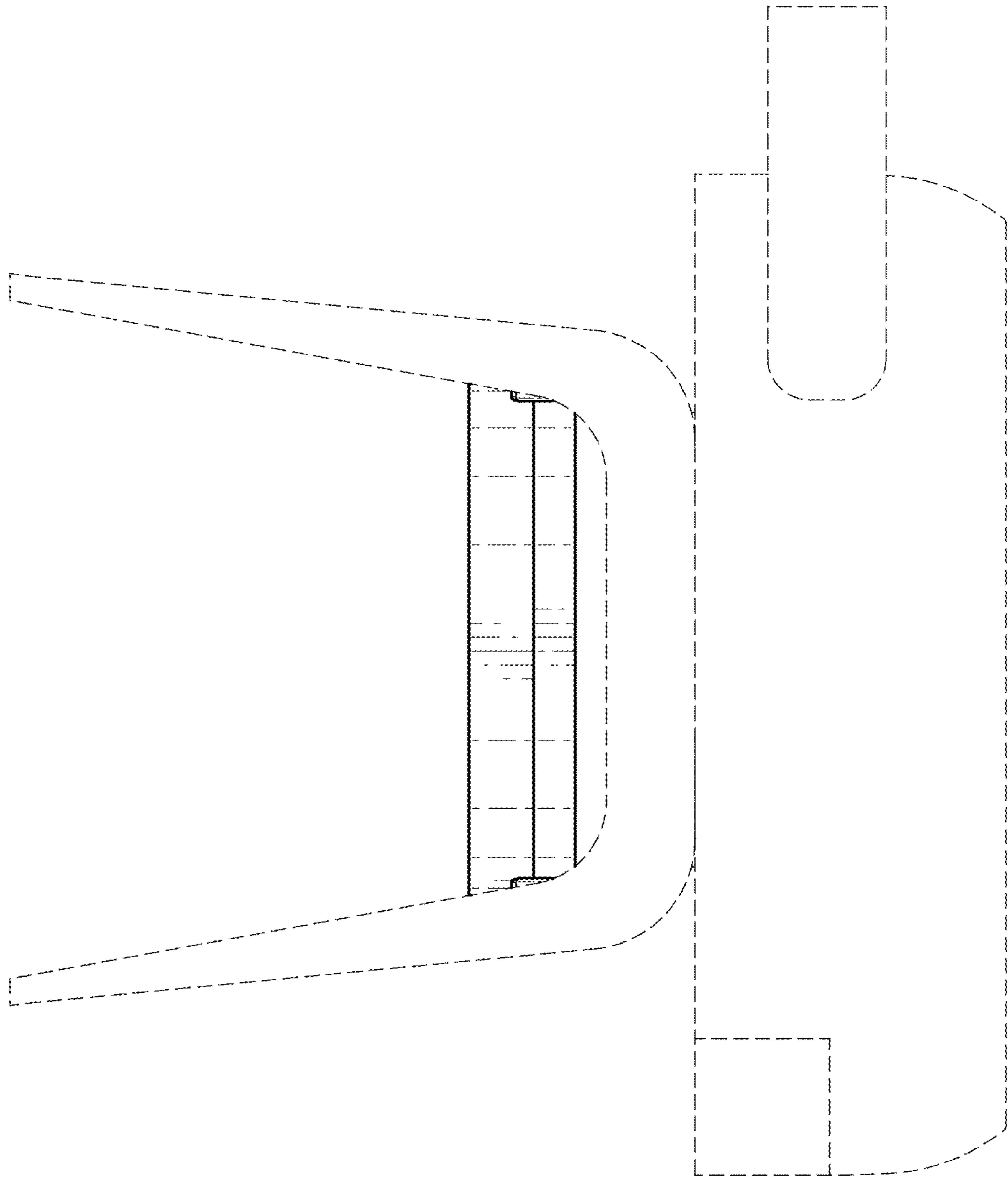


FIG. 7

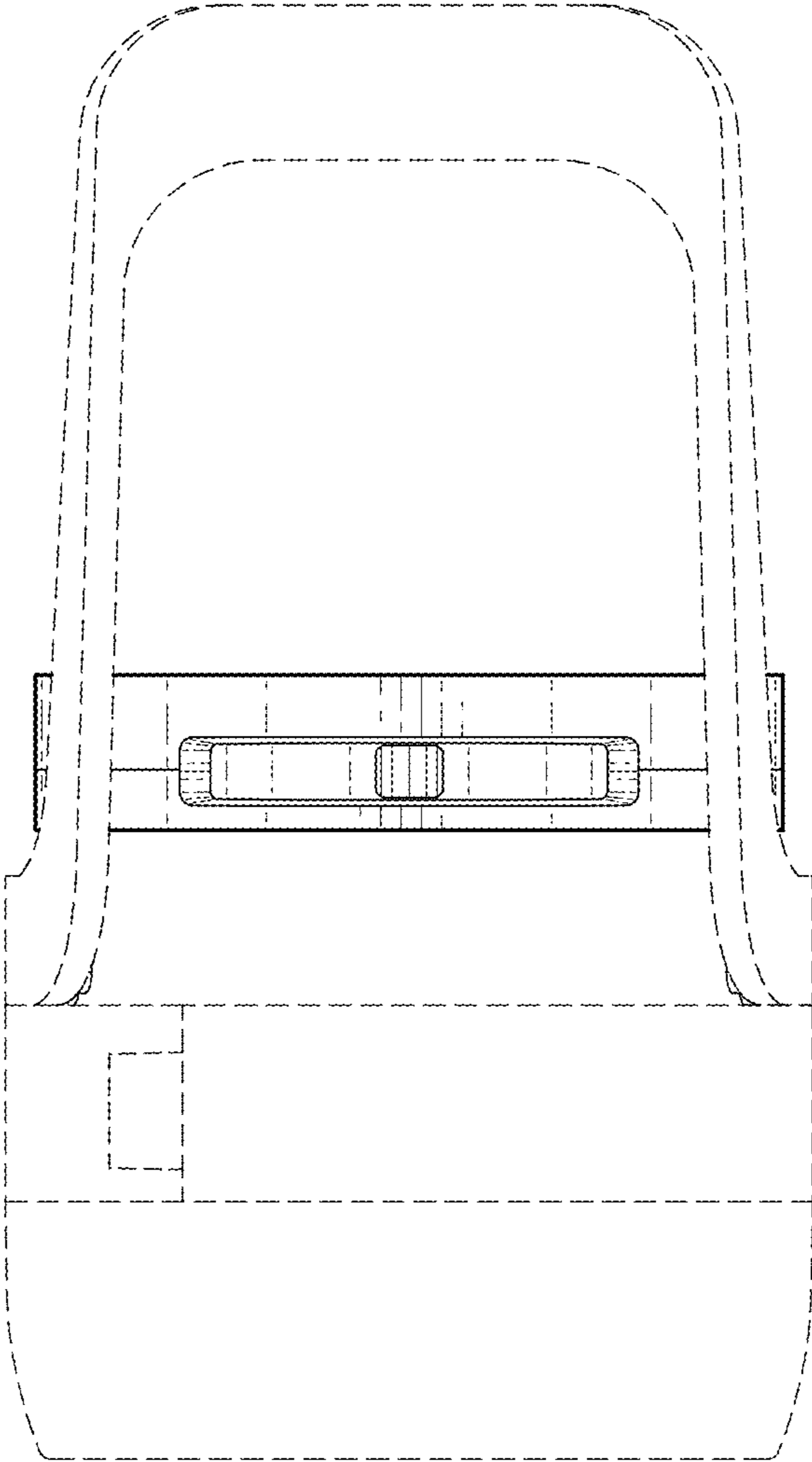


FIG. 8

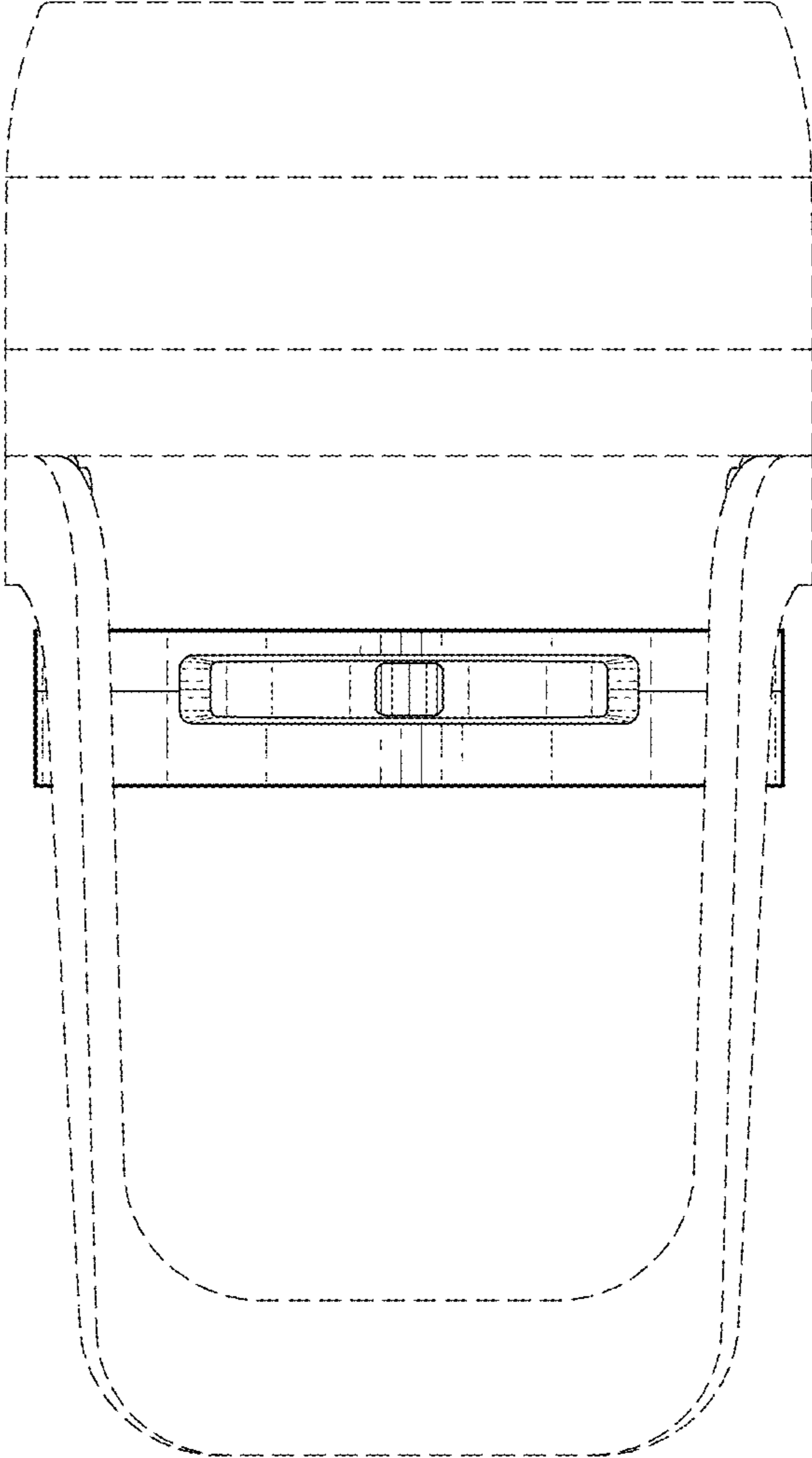


FIG. 9

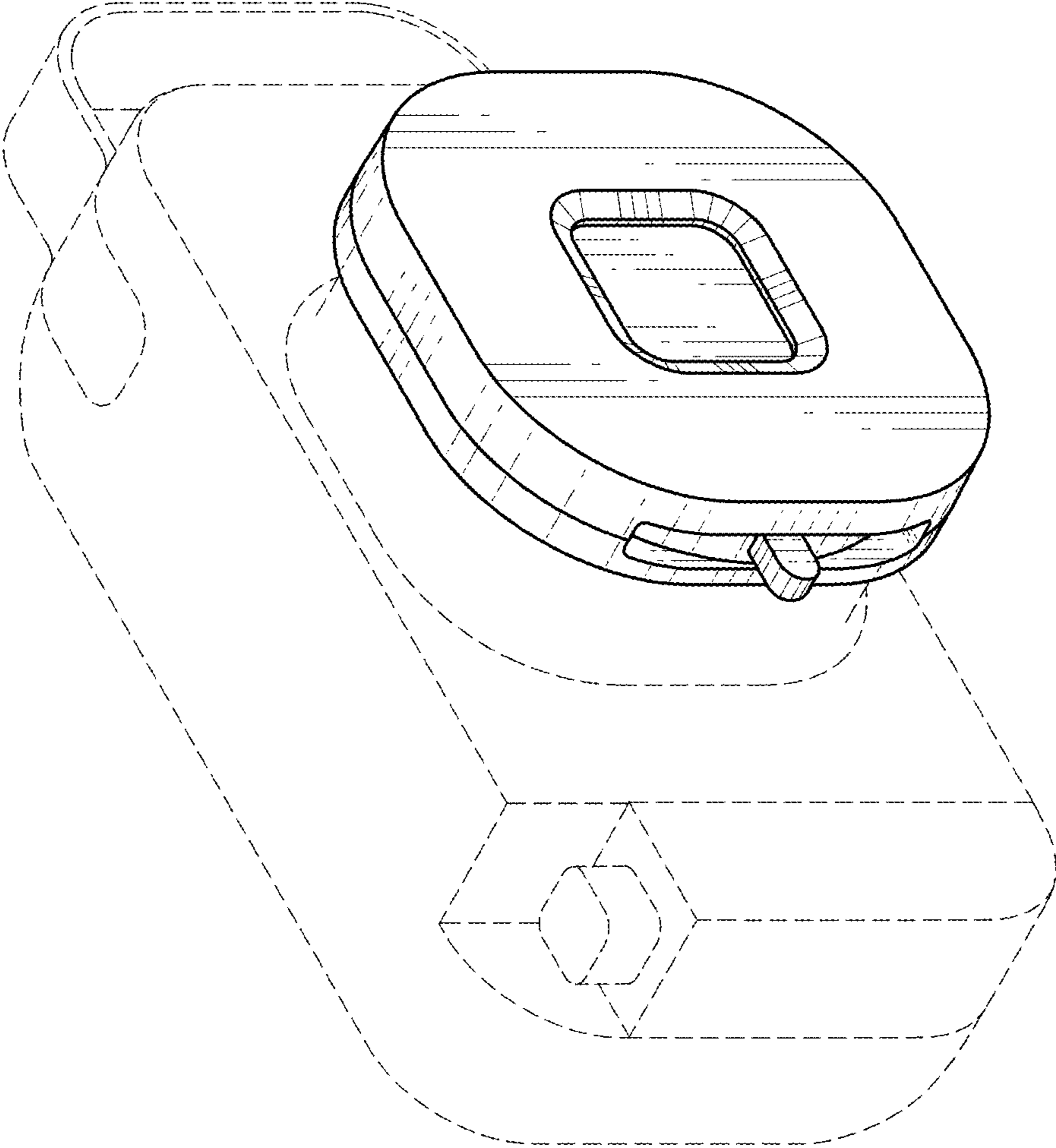


FIG.10

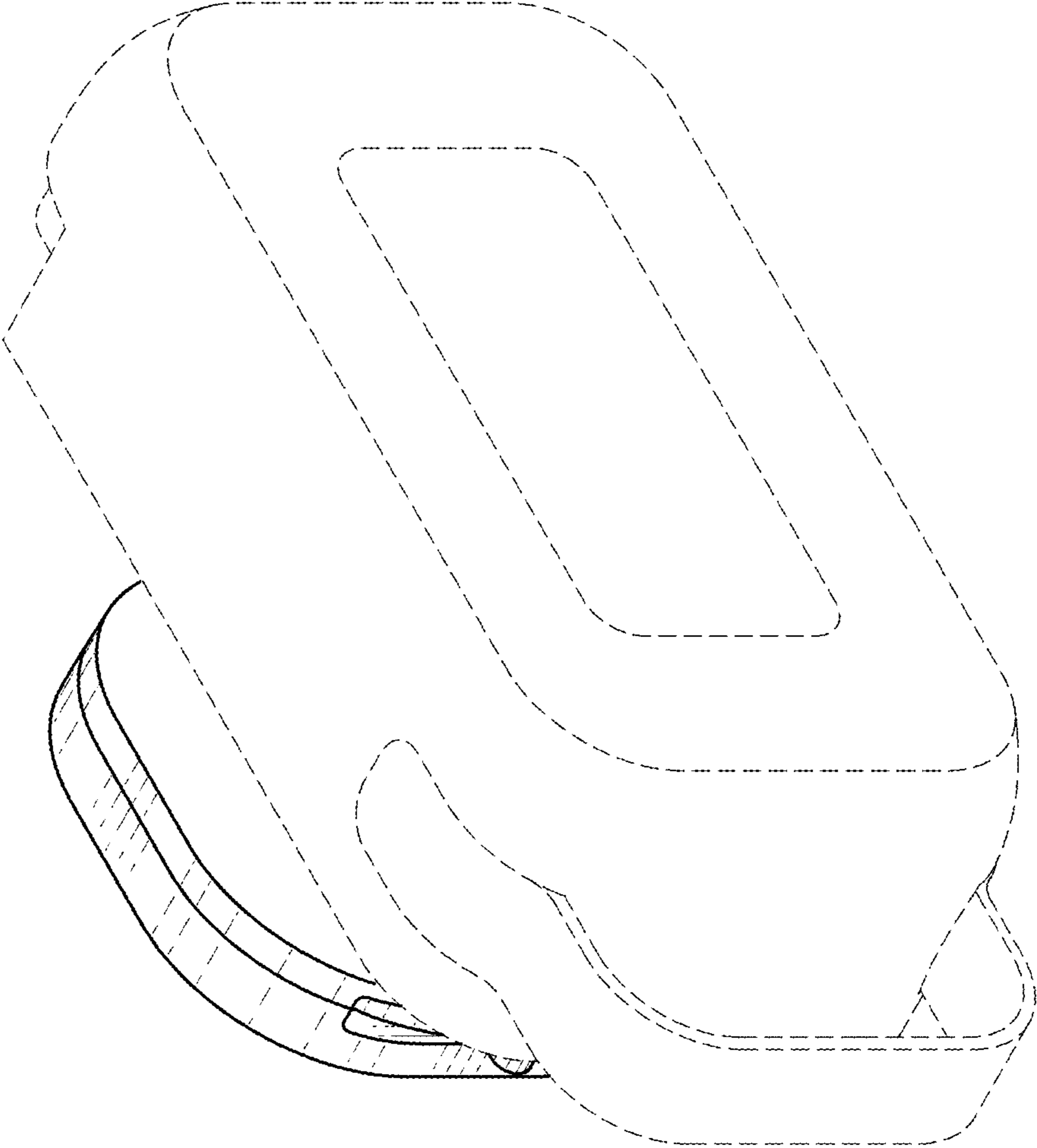


FIG. 11

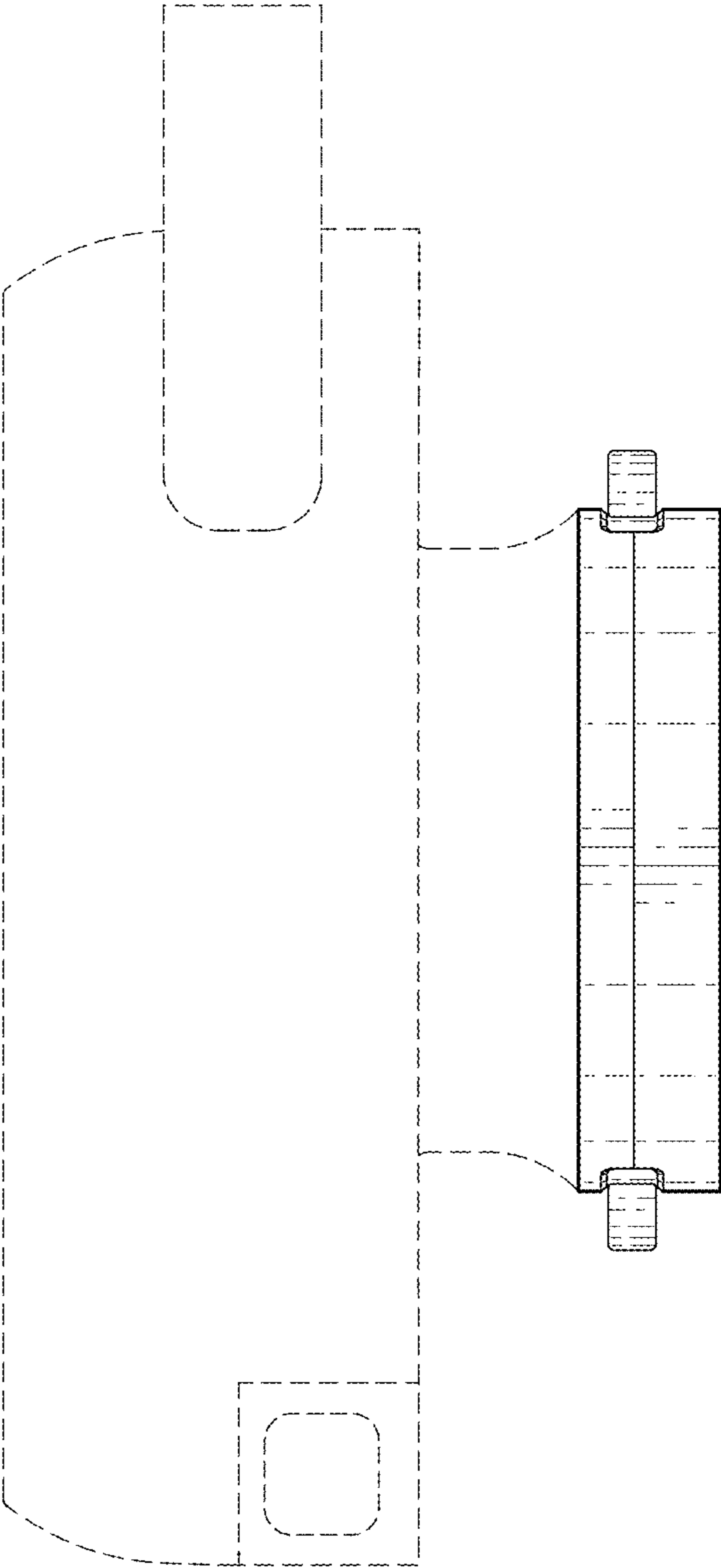


FIG. 12

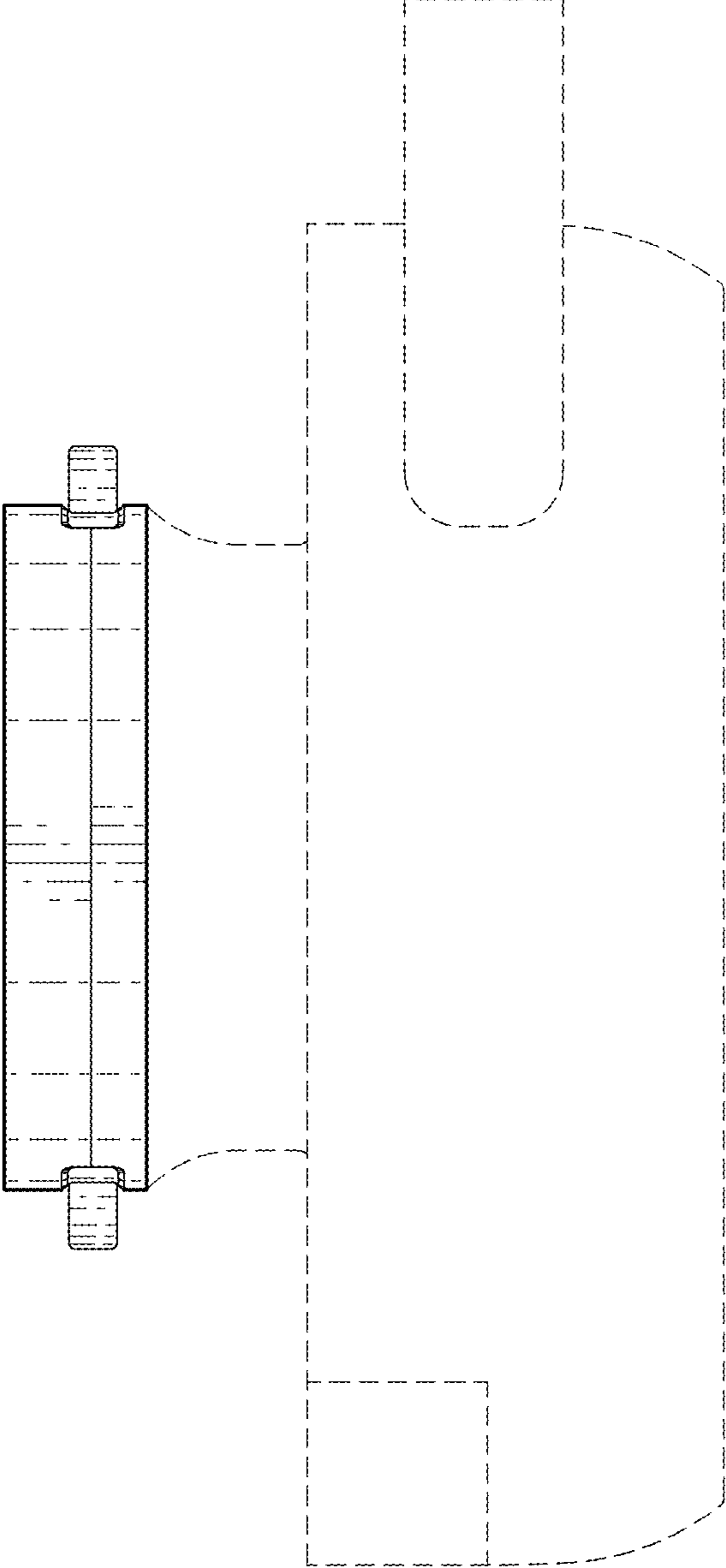


FIG.13

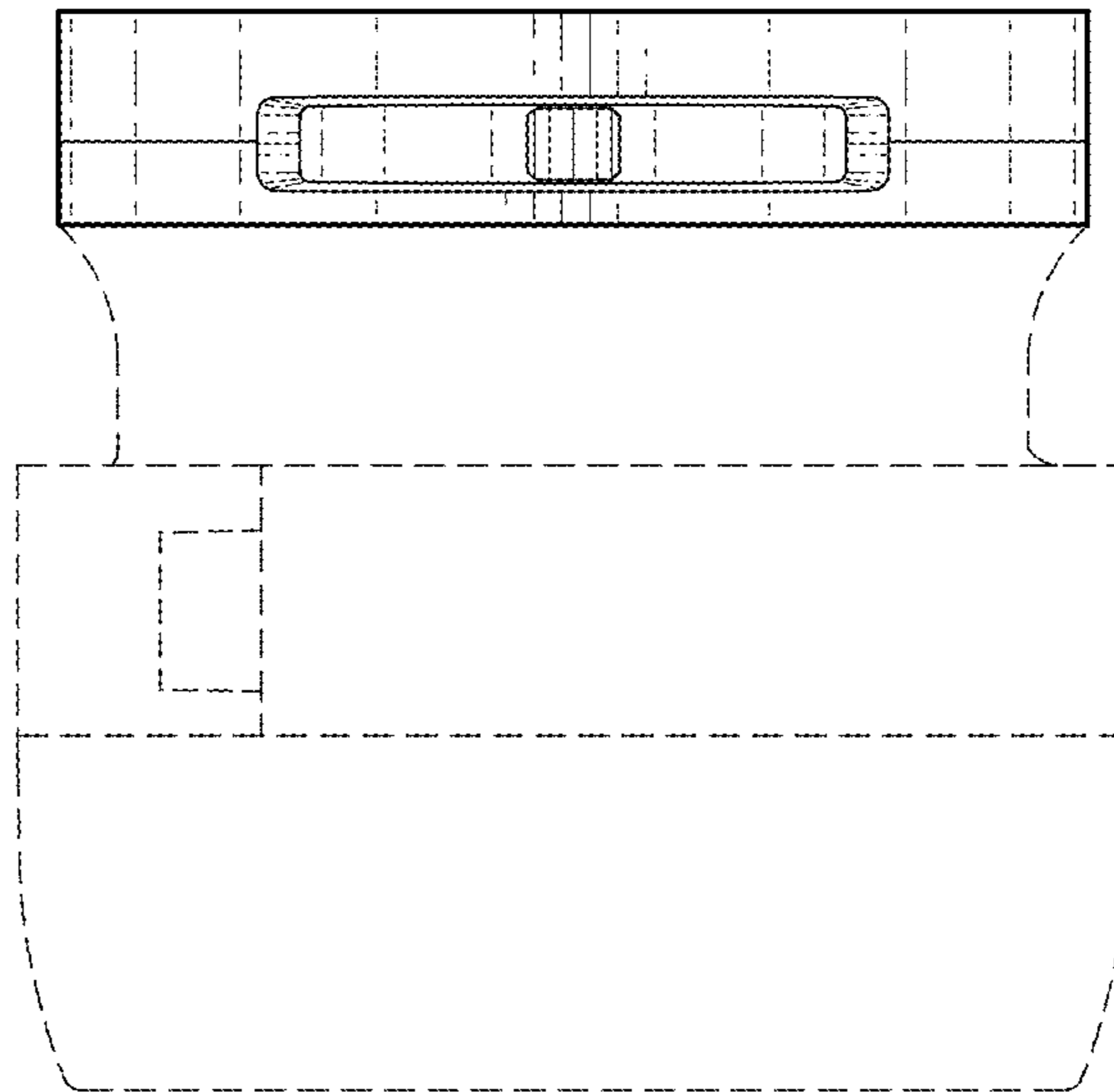


FIG. 14

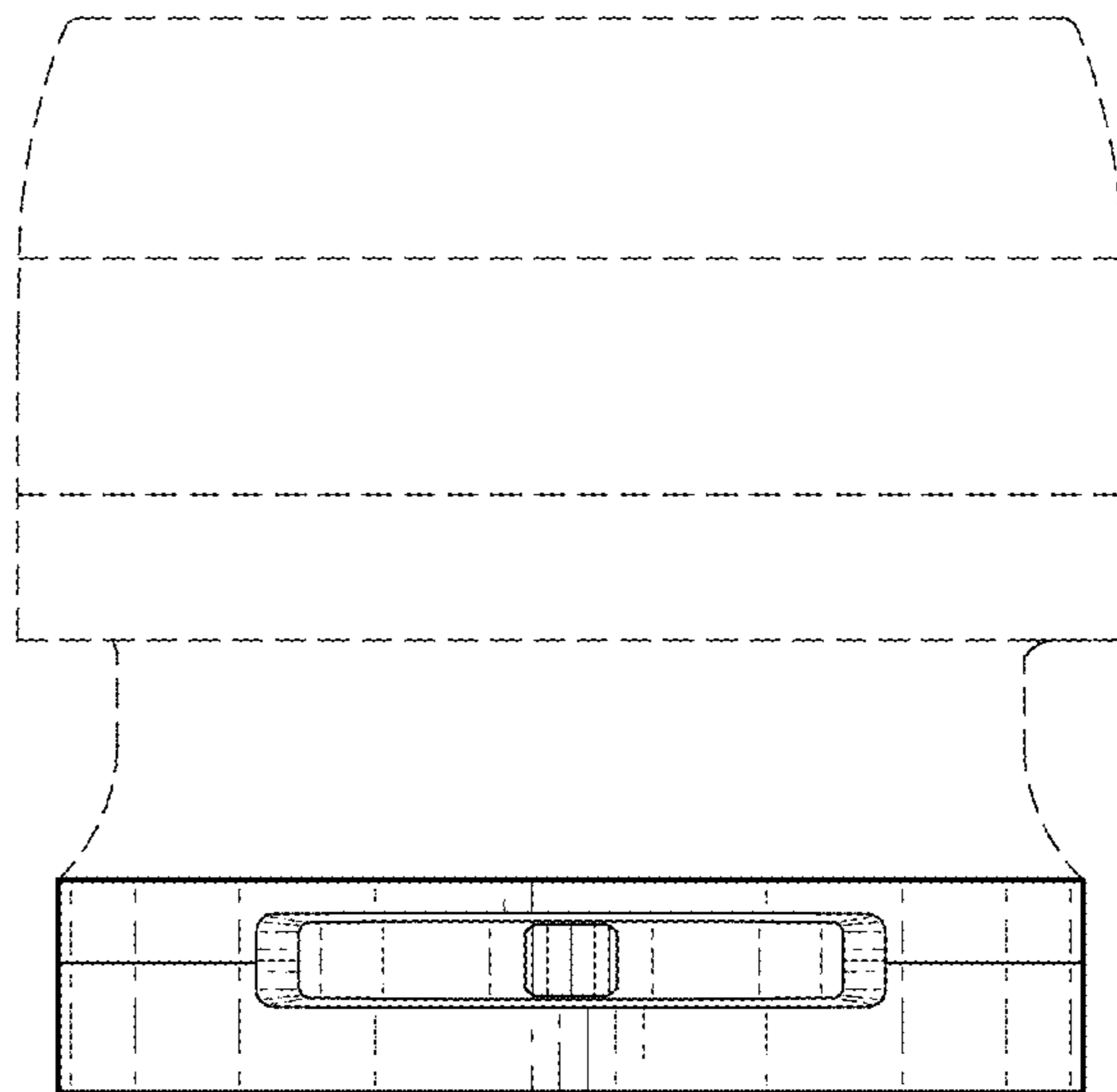


FIG. 15

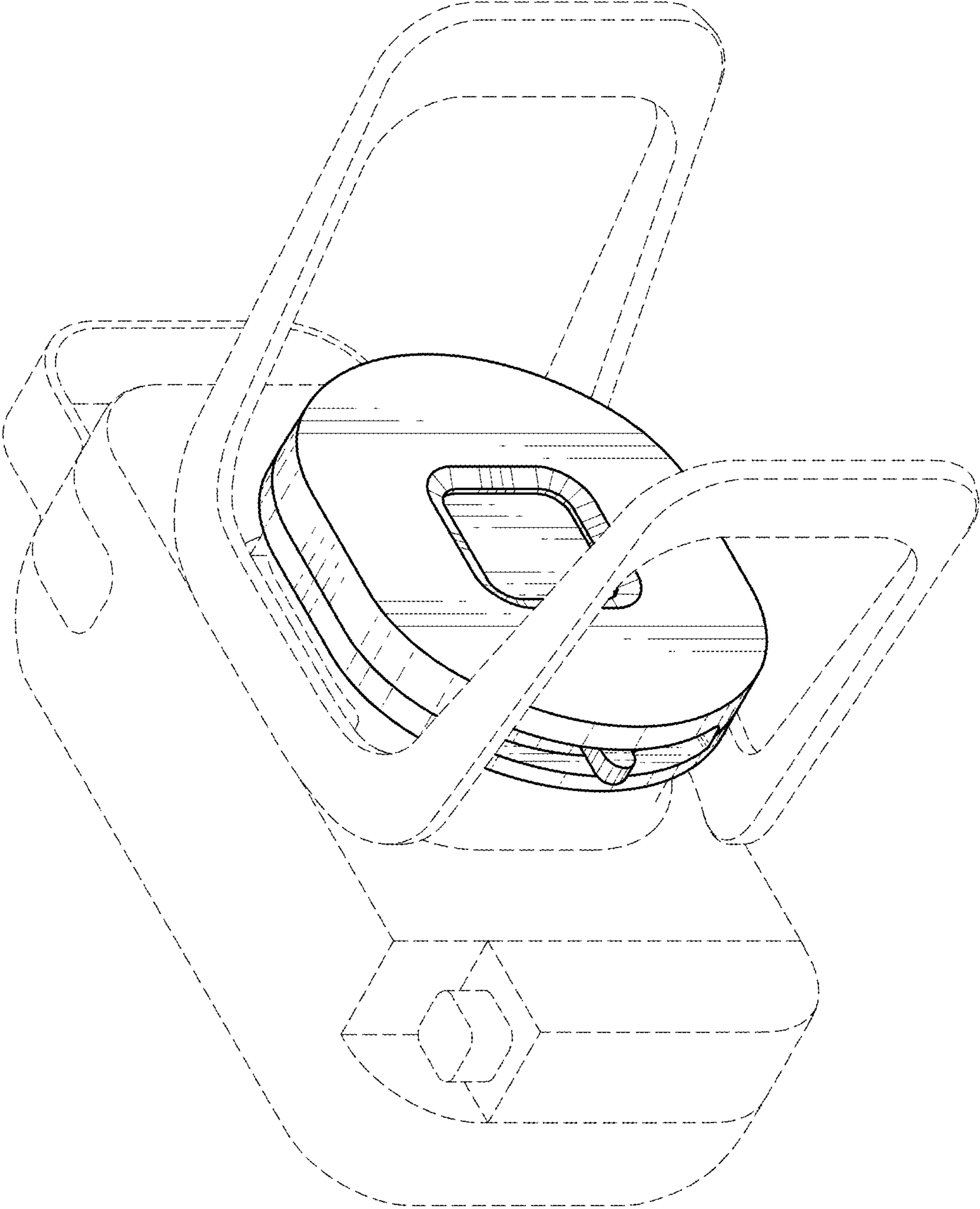


FIG.16

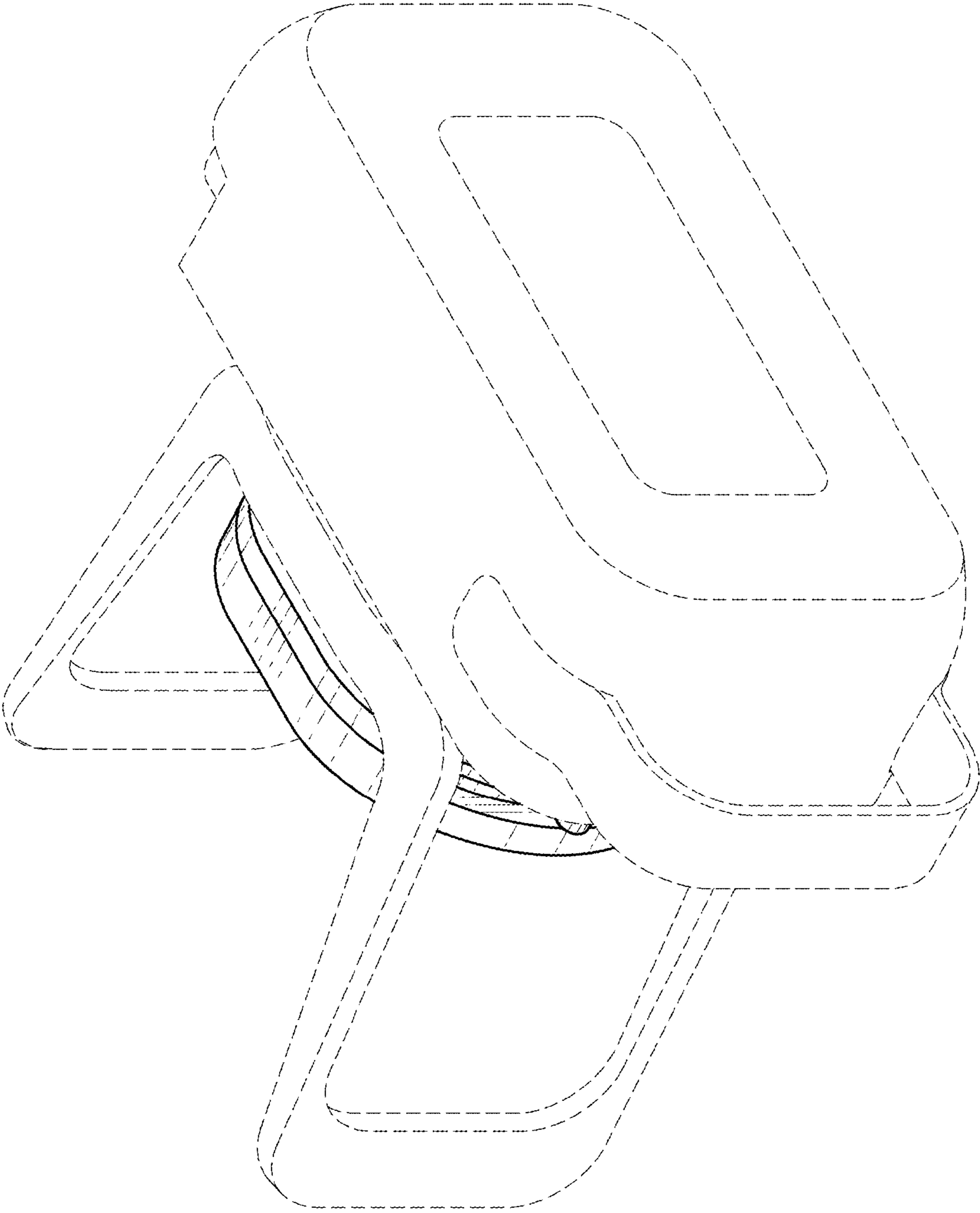


FIG.17

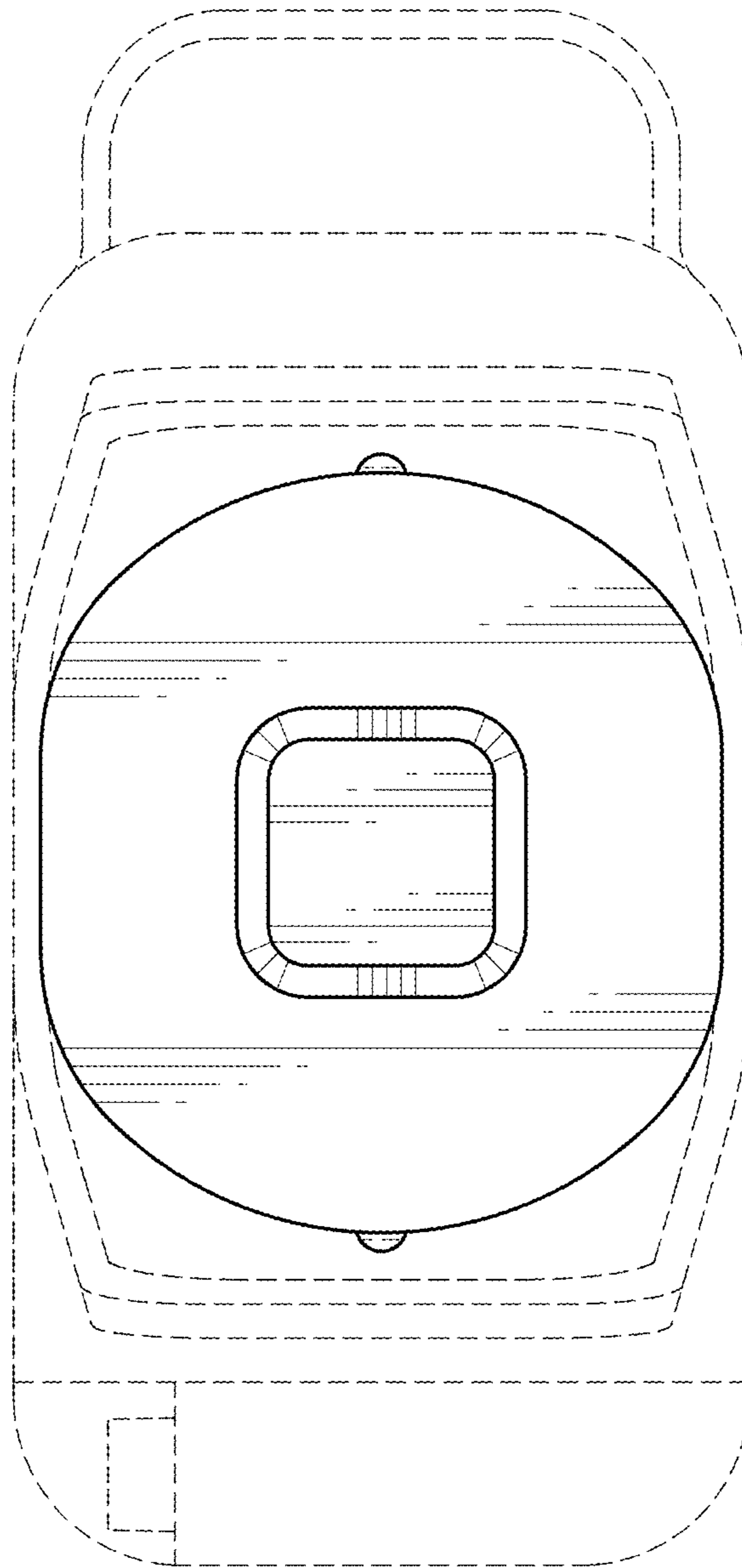


FIG. 18

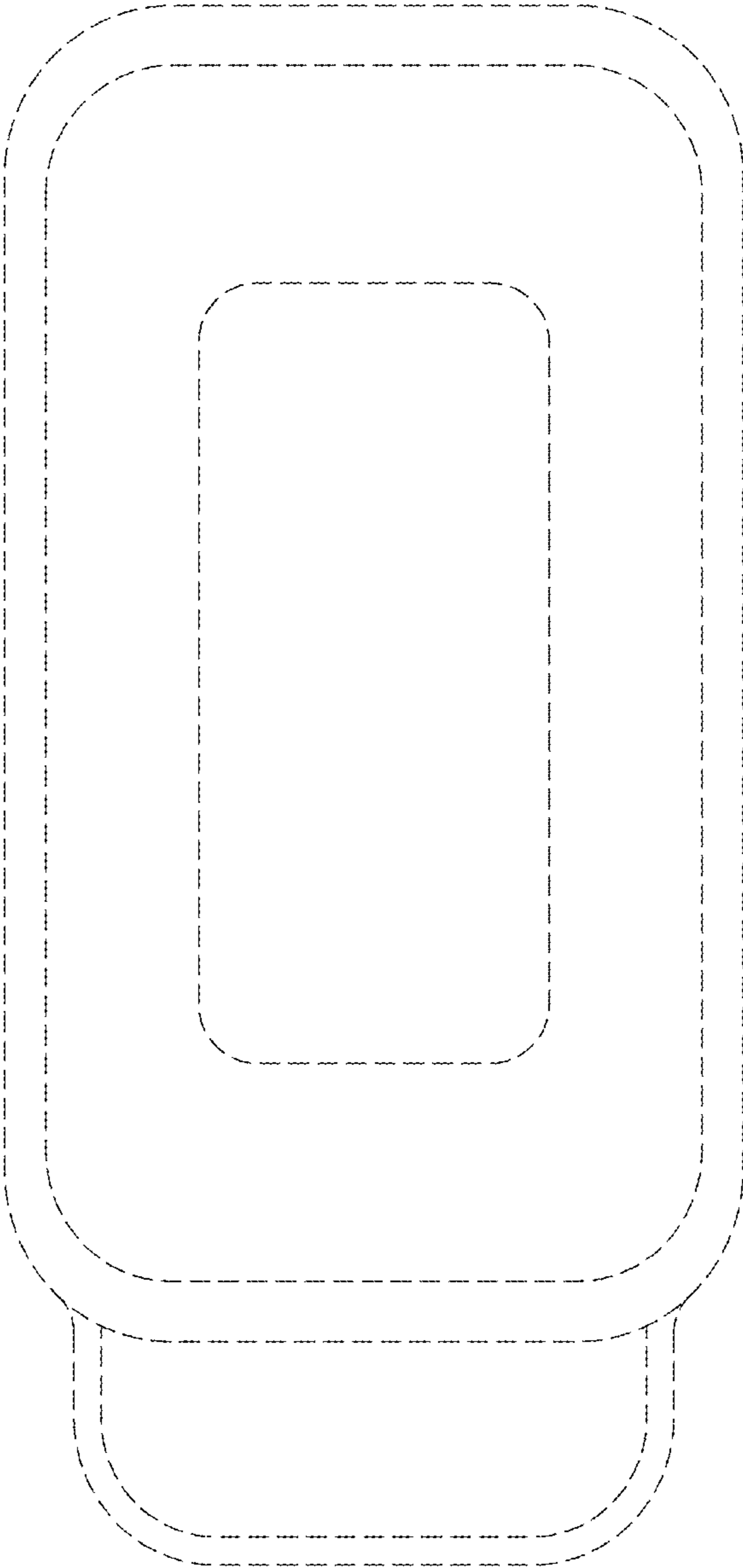


FIG. 19

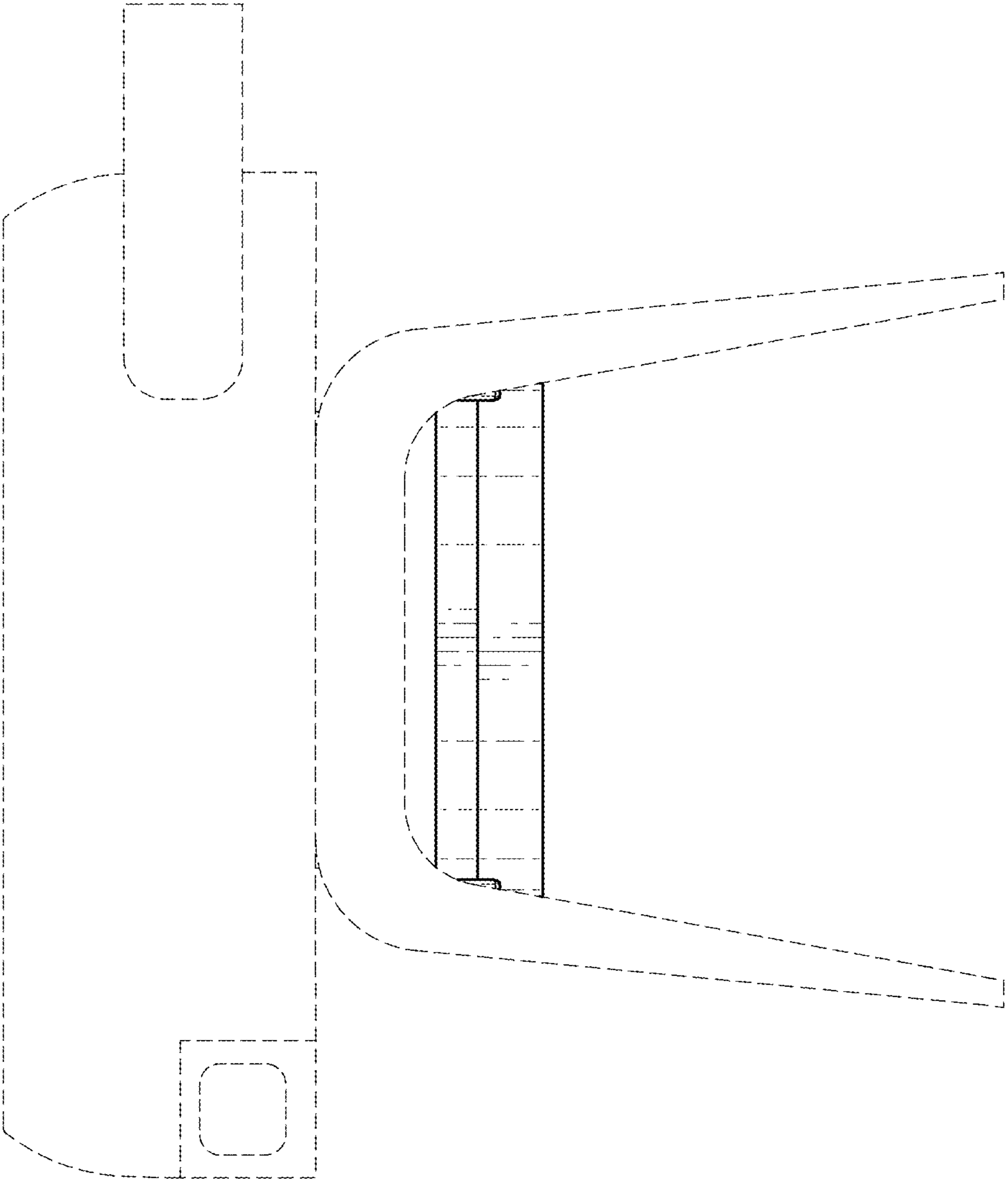


FIG. 20

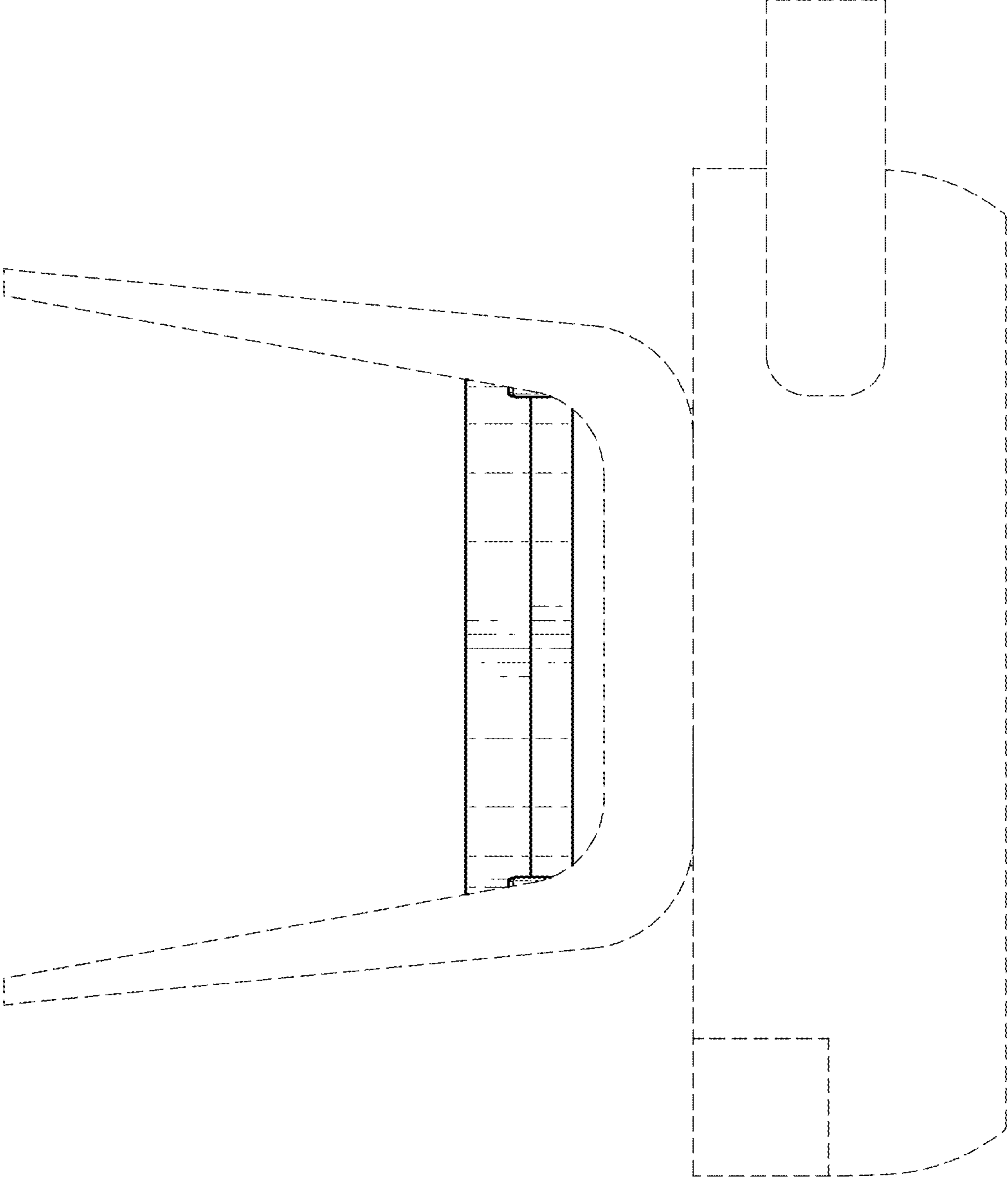


FIG. 21

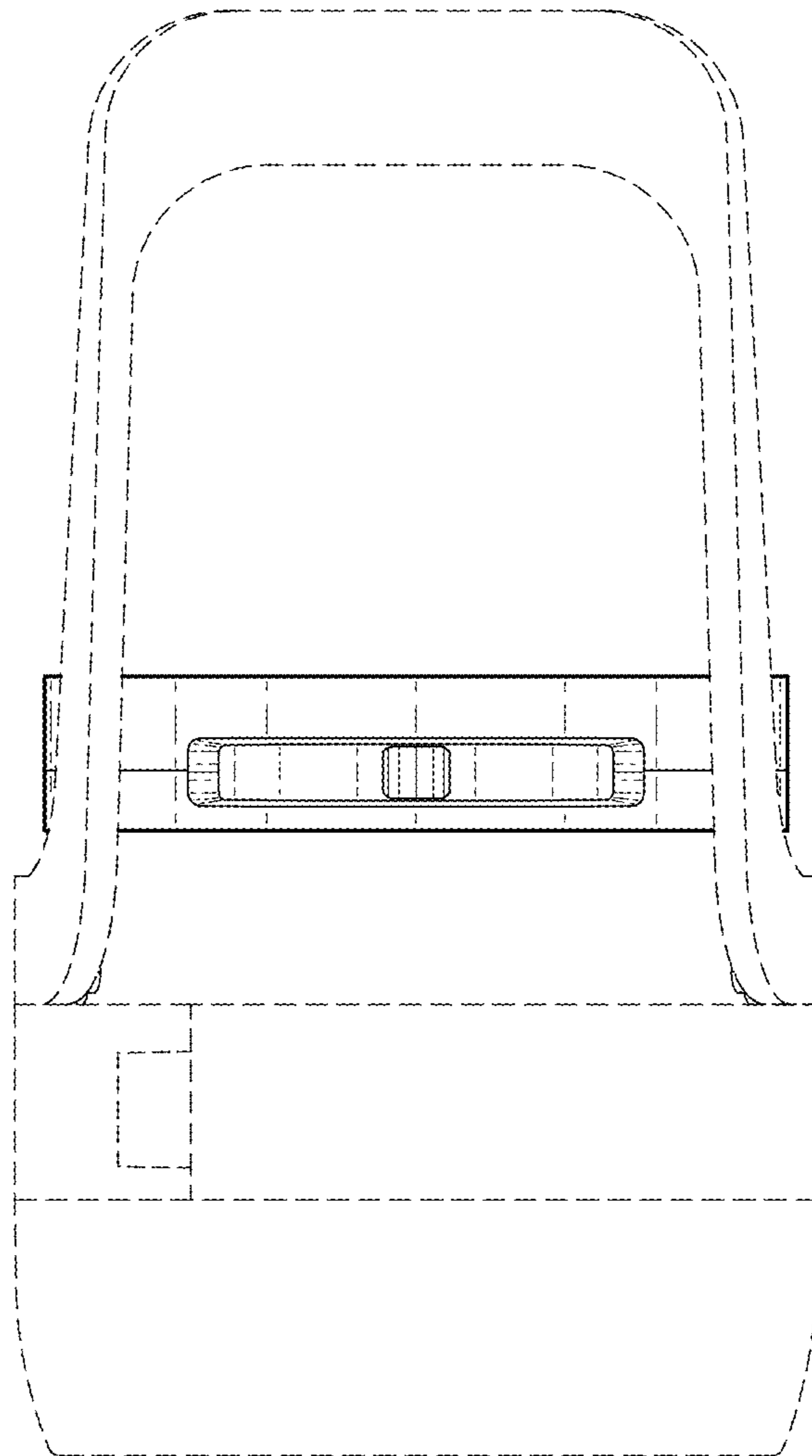


FIG. 22

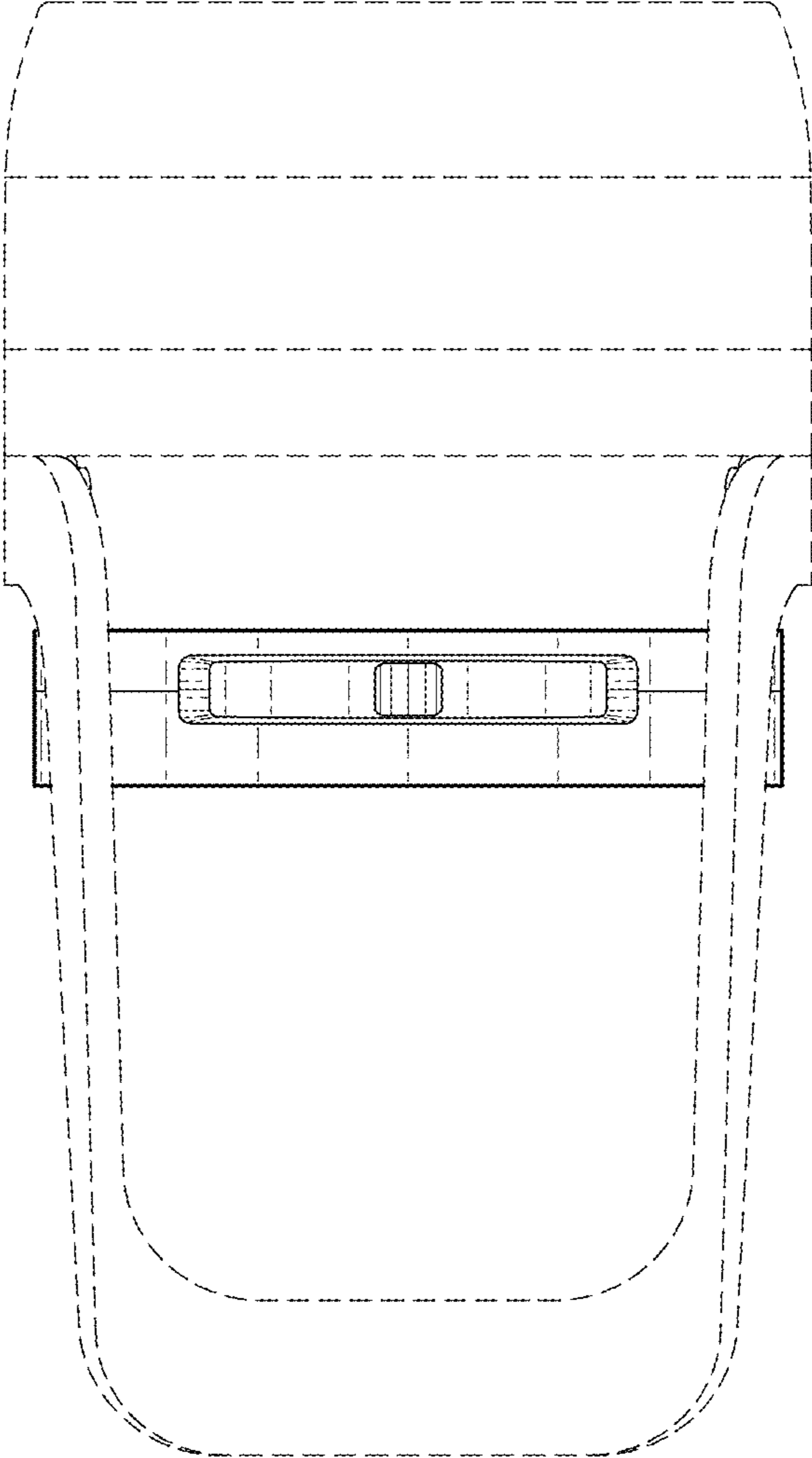


FIG. 23

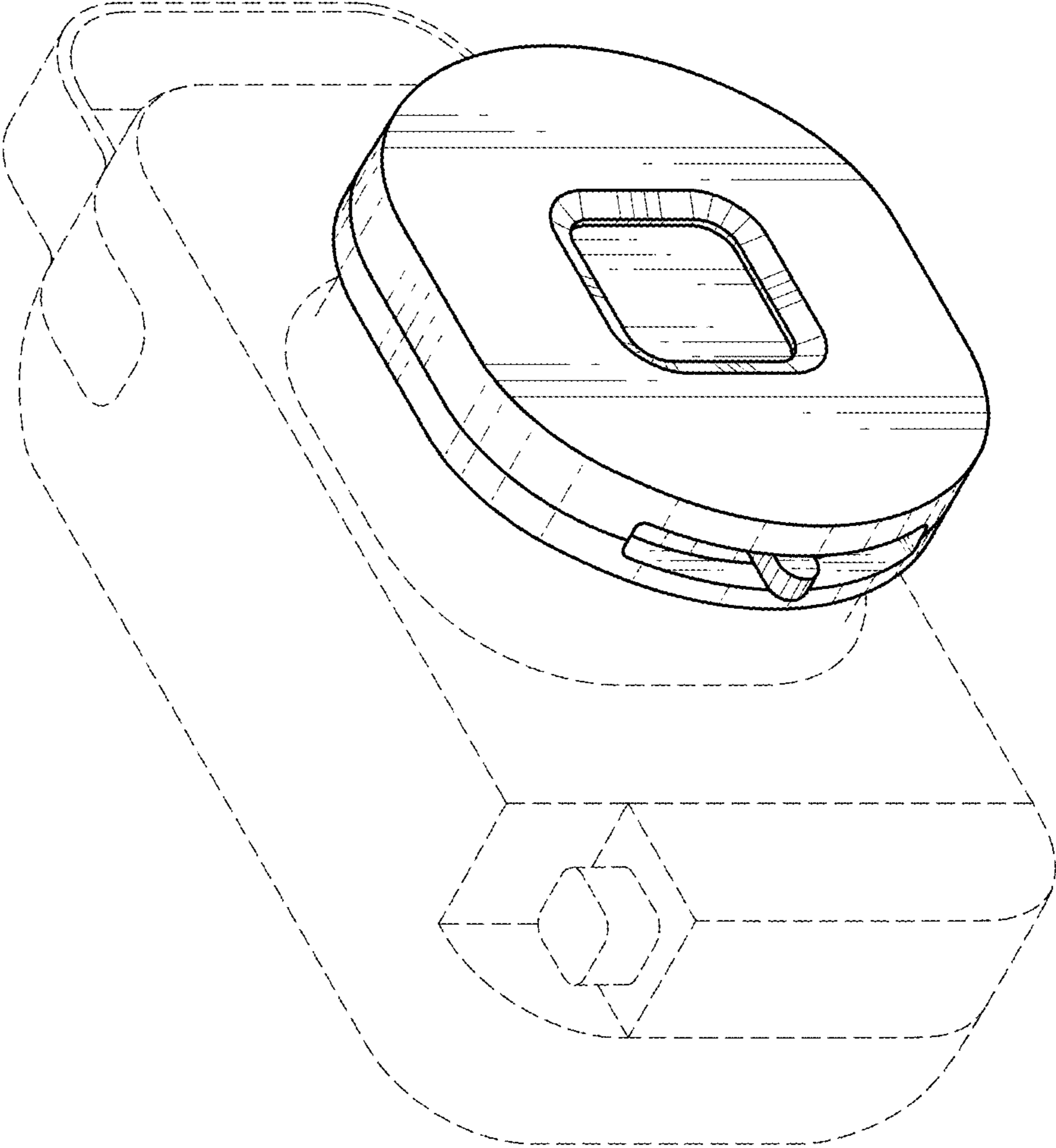


FIG.24

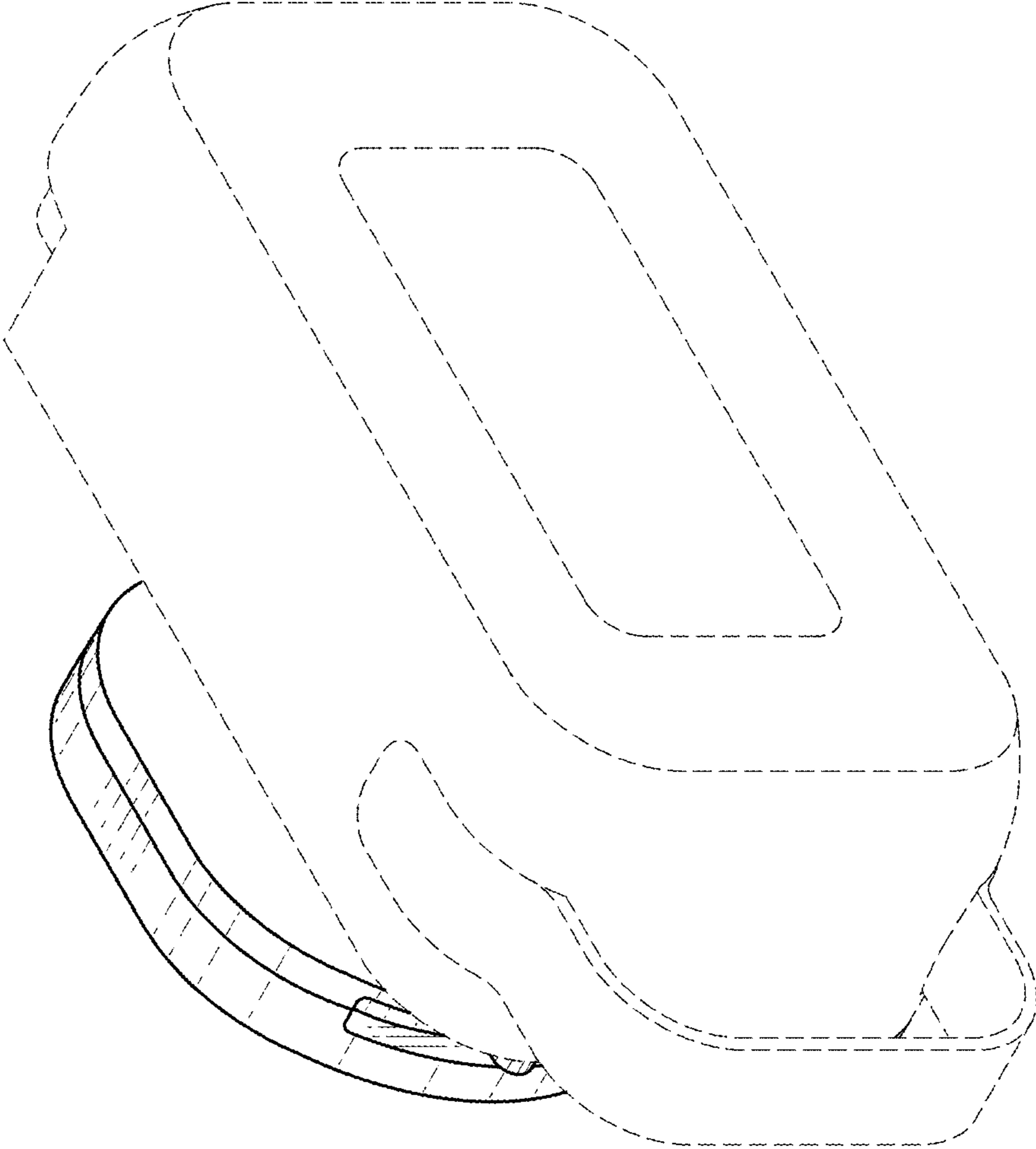


FIG. 25

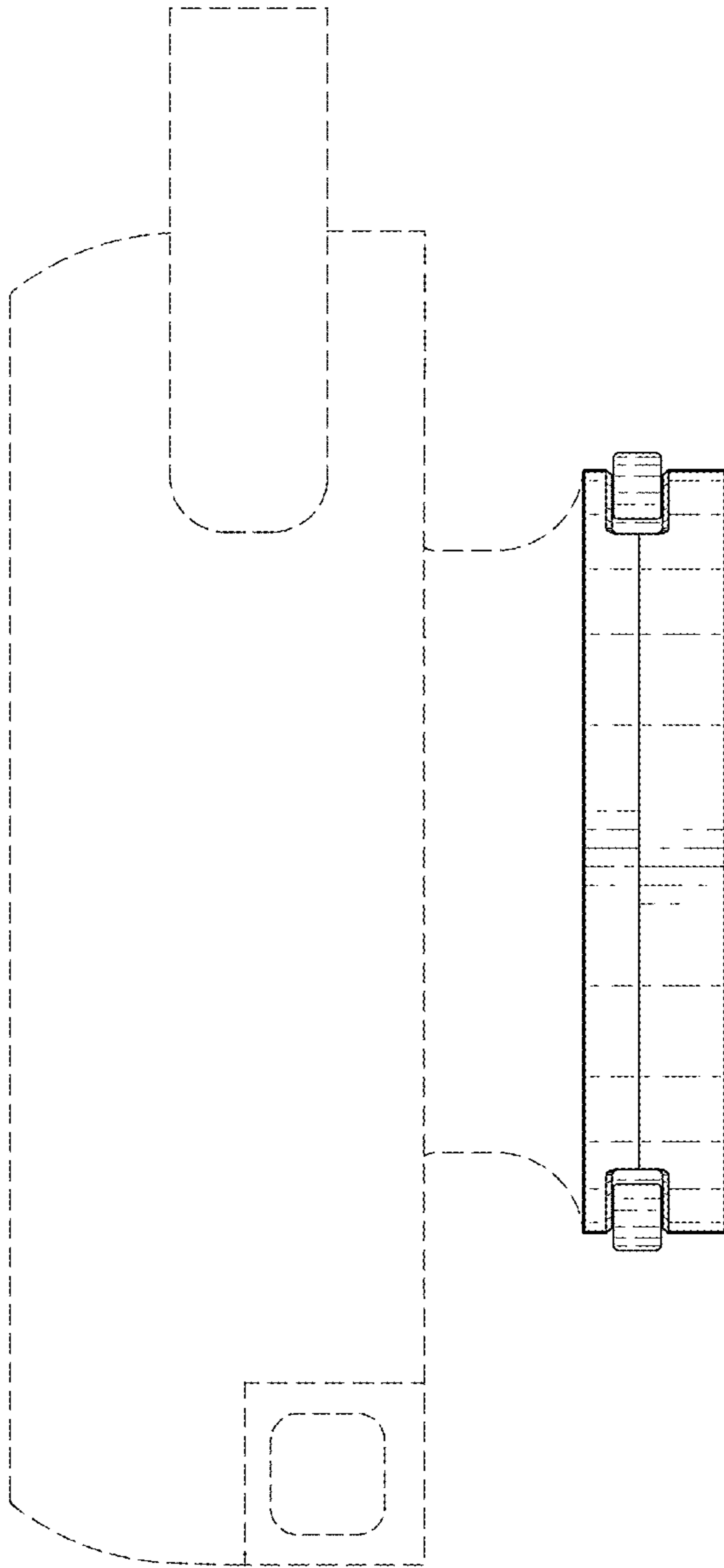


FIG. 26

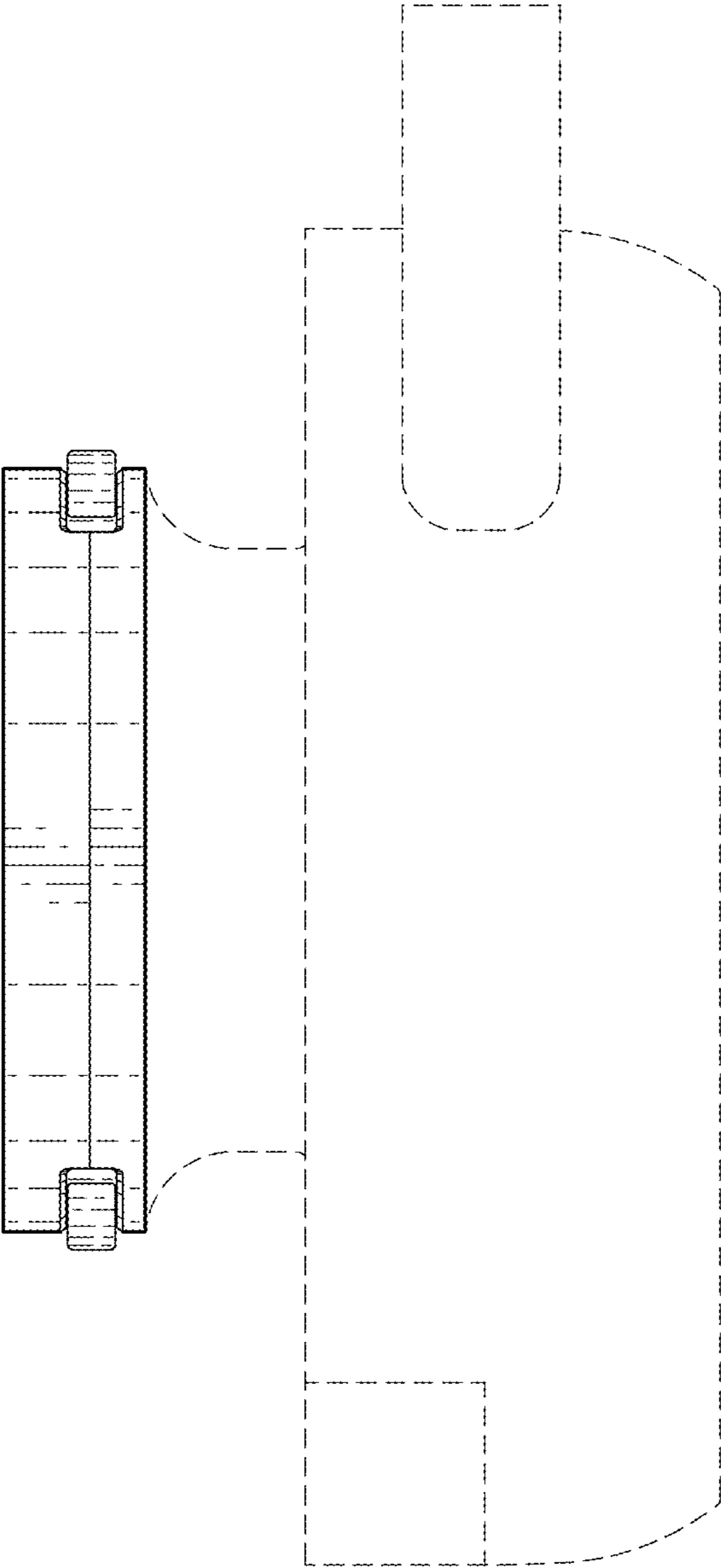


FIG. 27

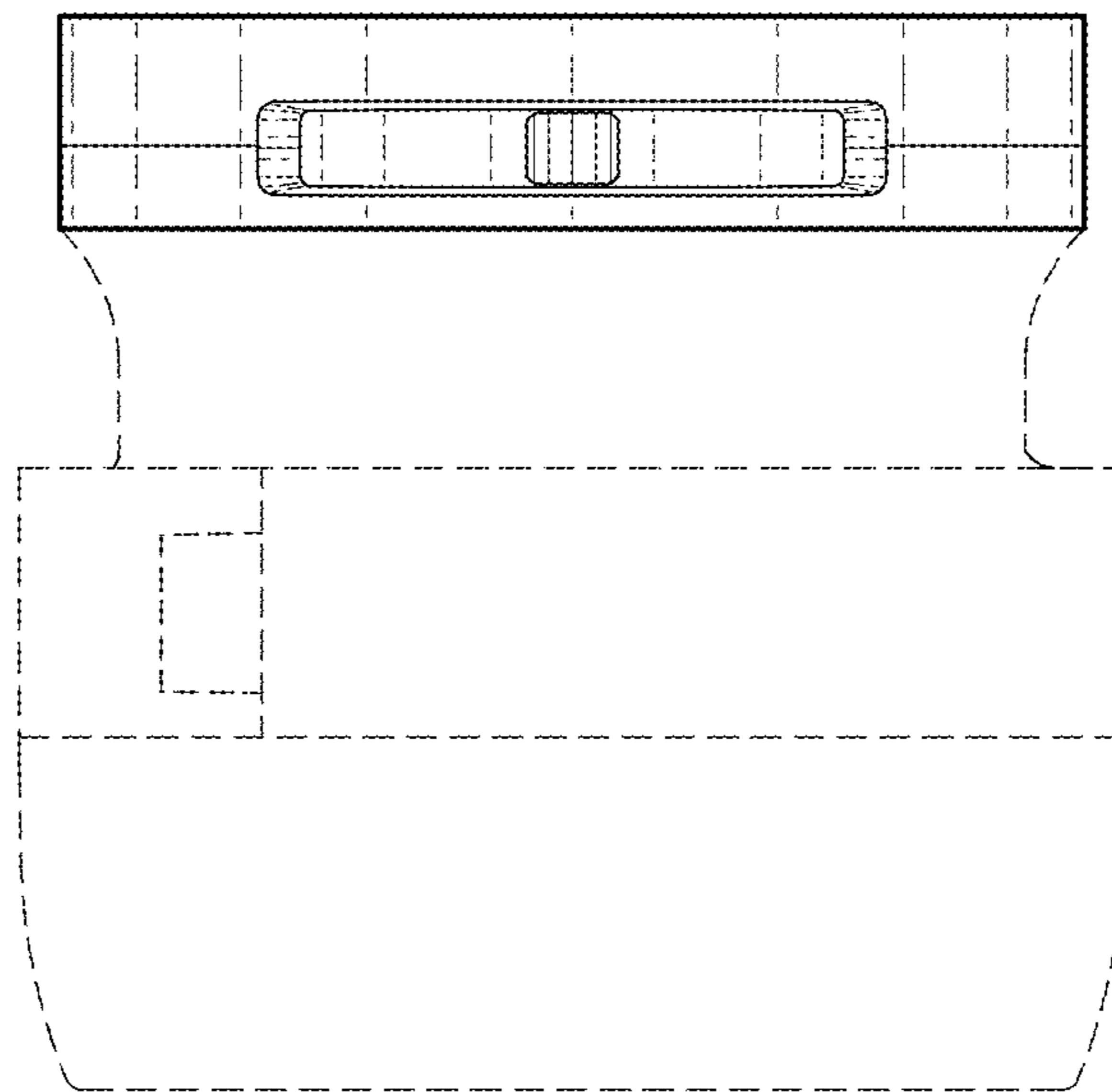


FIG. 28

