



US00D885578S

(12) **United States Design Patent**  
**Nycz et al.**

(10) **Patent No.:** **US D885,578 S**

(45) **Date of Patent:** **\*\* May 26, 2020**

(54) **SPINAL IMPLANT**

(71) Applicant: **IN QUEUE INNOVATIONS, LLC,**  
Winona Lake, IN (US)

(72) Inventors: **Jeffrey Nycz,** Warsaw, IN (US); **Jon C. Serbousek,** Winona Lake, IN (US)

(73) Assignee: **IN QUEUE INNOVATIONS, LLC.,**  
Winona Lake, IN (US)

(\*\*) Term: **15 Years**

(21) Appl. No.: **29/678,865**

(22) Filed: **Jan. 31, 2019**

(51) **LOC (12) Cl.** ..... **24-03**

(52) **U.S. Cl.**  
USPC ..... **D24/155**

(58) **Field of Classification Search**  
USPC ..... D24/155–157  
CPC ..... A61B 17/8061; A61B 17/7059; A61B 17/8605; A61B 17/8085; A61B 17/809; A61B 17/8014; A61B 17/8033; A61B 17/8004; A61B 17/888; A61B 17/842; A61B 17/8023; A61B 17/8009; A61B 17/86; A61B 17/1739; A61B 17/8066; A61B 17/1671; A61B 17/1757; A61B 17/8071; A61B 17/176; A61B 2017/1782; A61B 2017/1775

See application file for complete search history.

(56) **References Cited**

**U.S. PATENT DOCUMENTS**

D789,540 S *	6/2017	Gyorgy	.....	D24/155
9,713,537 B2 *	7/2017	Bray, Jr.	.....	A61B 17/86
D819,209 S *	5/2018	DaCosta	.....	D24/155
D855,184 S *	7/2019	Predick	.....	A61B 17/8061
				D24/155
D875,938 S *	2/2020	Serbousek	.....	D24/155
2006/0085071 A1 *	4/2006	Lechmann	.....	A61B 17/86
				623/17.11

2009/0105830 A1 *	4/2009	Jones	.....	A61B 17/8042
				623/17.16
2012/0065734 A1 *	3/2012	Barrett	.....	A61F 2/4611
				623/17.16
2014/0066995 A1 *	3/2014	McCormick	.....	A61B 17/1728
				606/281
2016/0228257 A1 *	8/2016	Predick	.....	A61F 2/4202

\* cited by examiner

*Primary Examiner* — Charles D Hanson

(74) *Attorney, Agent, or Firm* — Heslin Rothenberg Farley & Mesiti P.C.

(57) **CLAIM**

The ornamental design for a spinal implant, as shown and described.

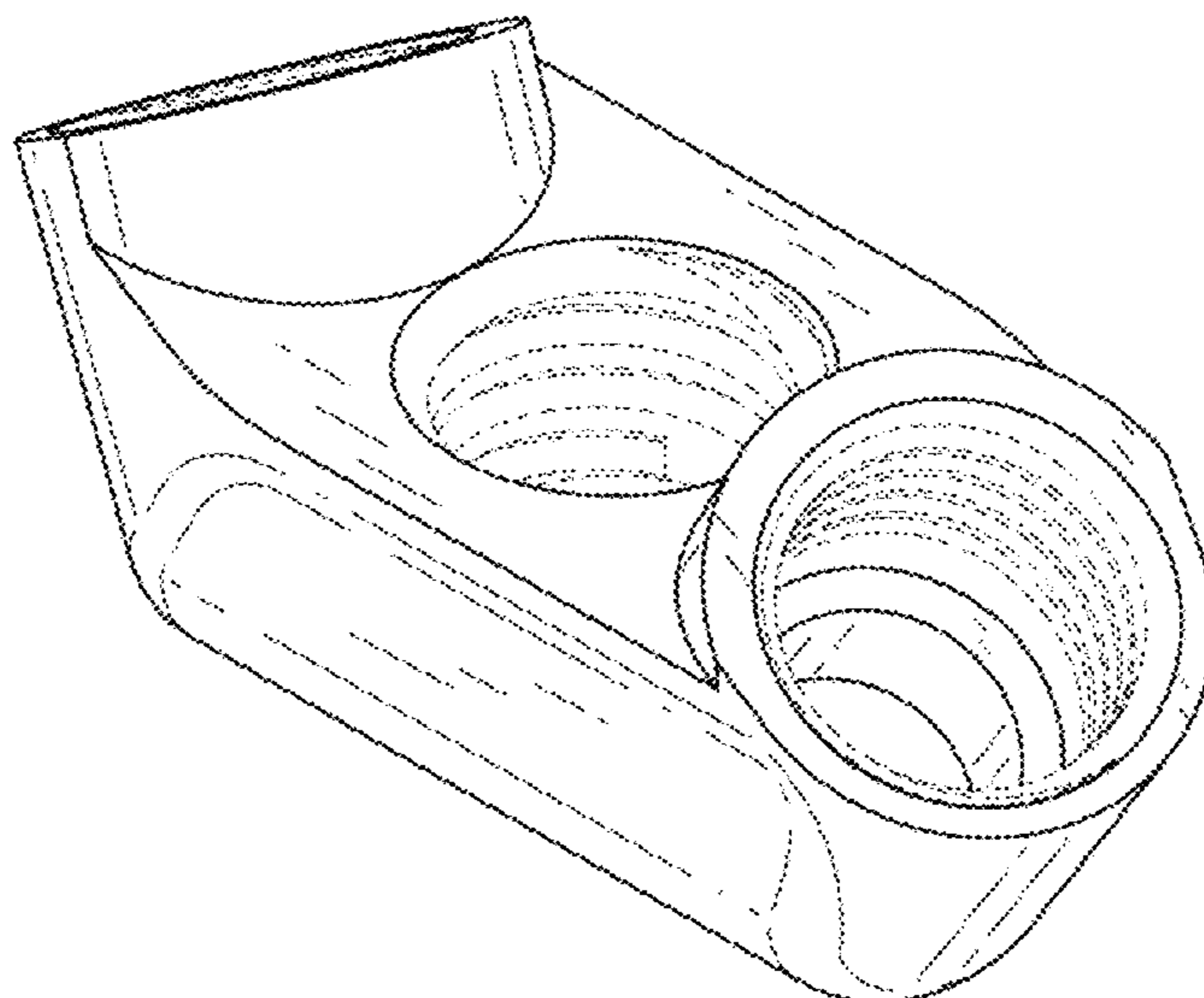
**DESCRIPTION**

FIG. 1 is a top, front perspective view of a spinal implant comprising the new design;  
 FIG. 2 is a bottom, back perspective view of the design of FIG. 1;  
 FIG. 3 is a front elevational view of the design of FIG. 1;  
 FIG. 4 is a back elevational view of the design of FIG. 1;  
 FIG. 5 is a left side elevational view of the design of FIG. 1;  
 FIG. 6 is a right side elevational view of the design of FIG. 1;  
 FIG. 7 is a top view of the design of FIG. 1;  
 FIG. 8 is a bottom view of the design of FIG. 1; and,  
 FIG. 9 is a top, front perspective view of the spinal implant of FIG. 1 with inserted bone connectors shown in phantom for illustrative purposes.

The broken lines shown in the figures are directed to the environment and are for illustrative purposes only; the broken lines form no part of the claimed spinal implant invention.

The relatively light intermittently broken surface shading depicts contour, not surface decoration.

**1 Claim, 6 Drawing Sheets**



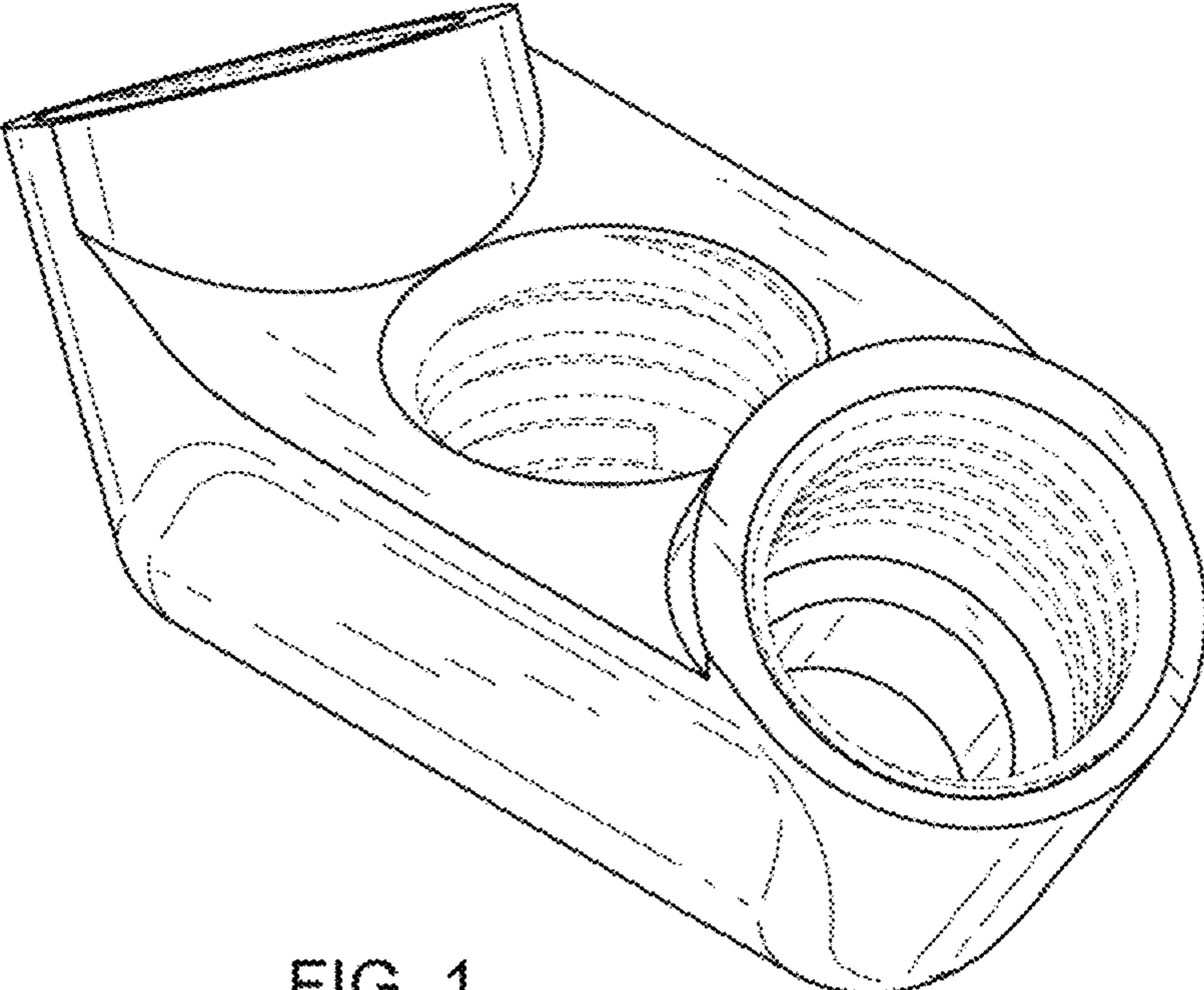


FIG. 1

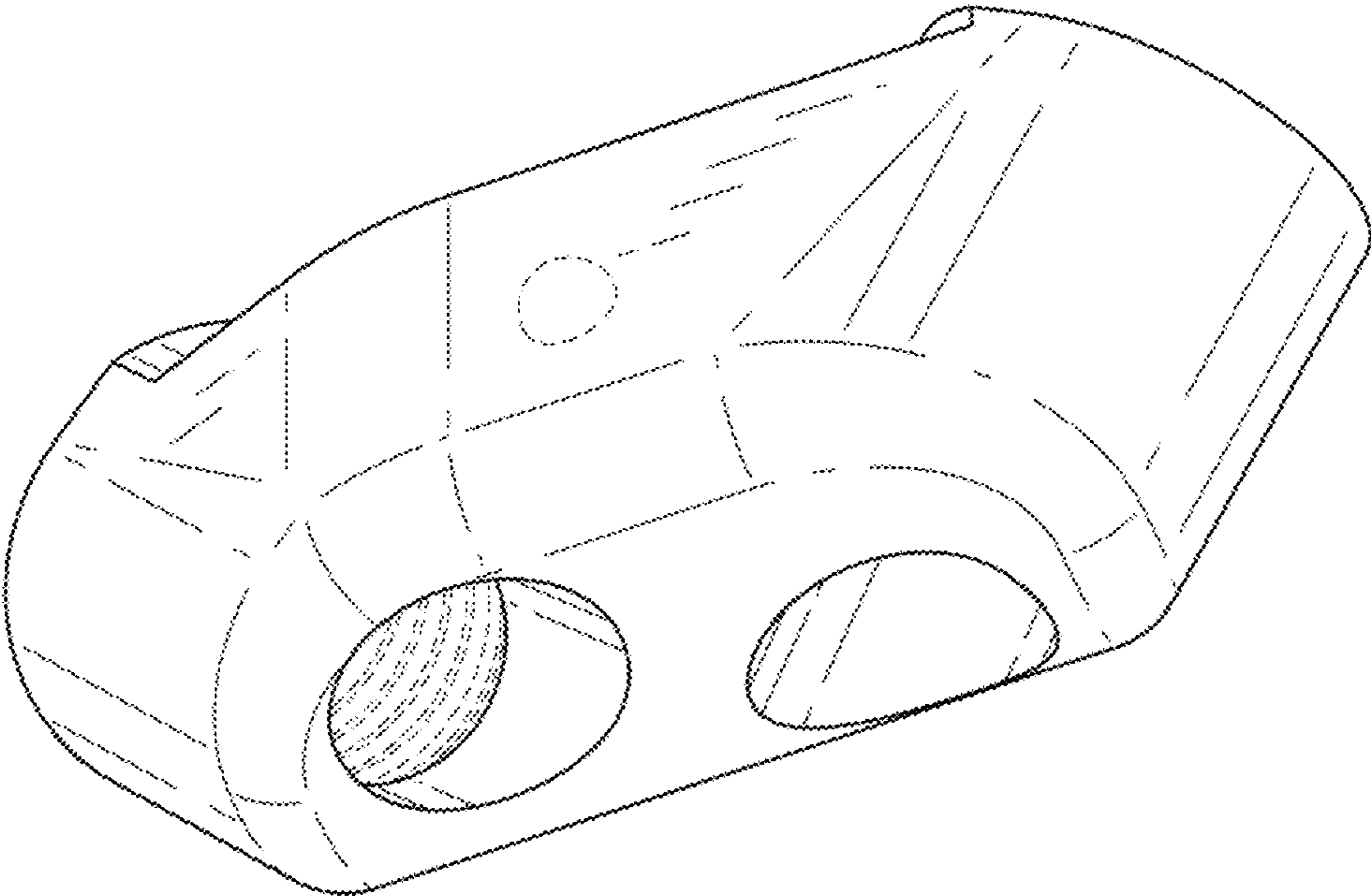


FIG. 2

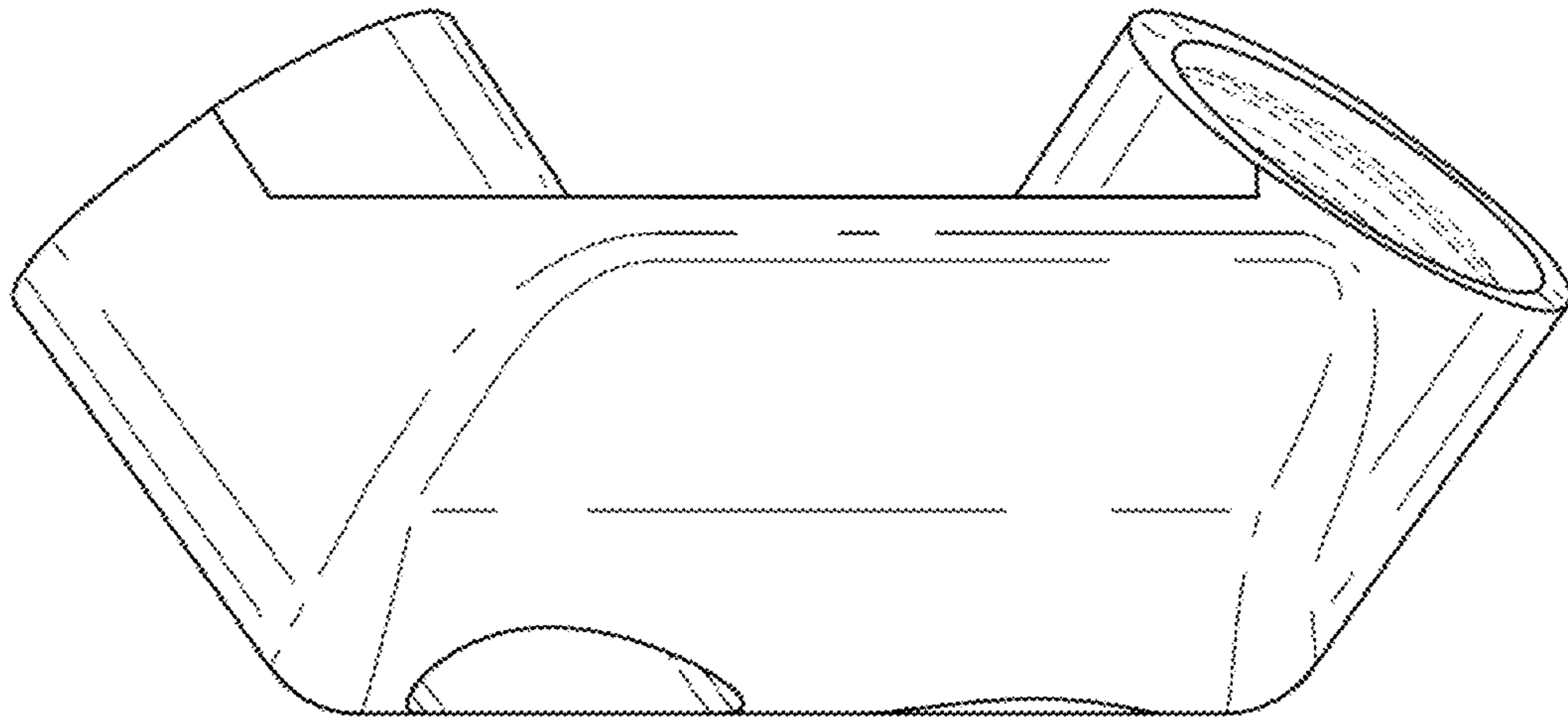


FIG. 3

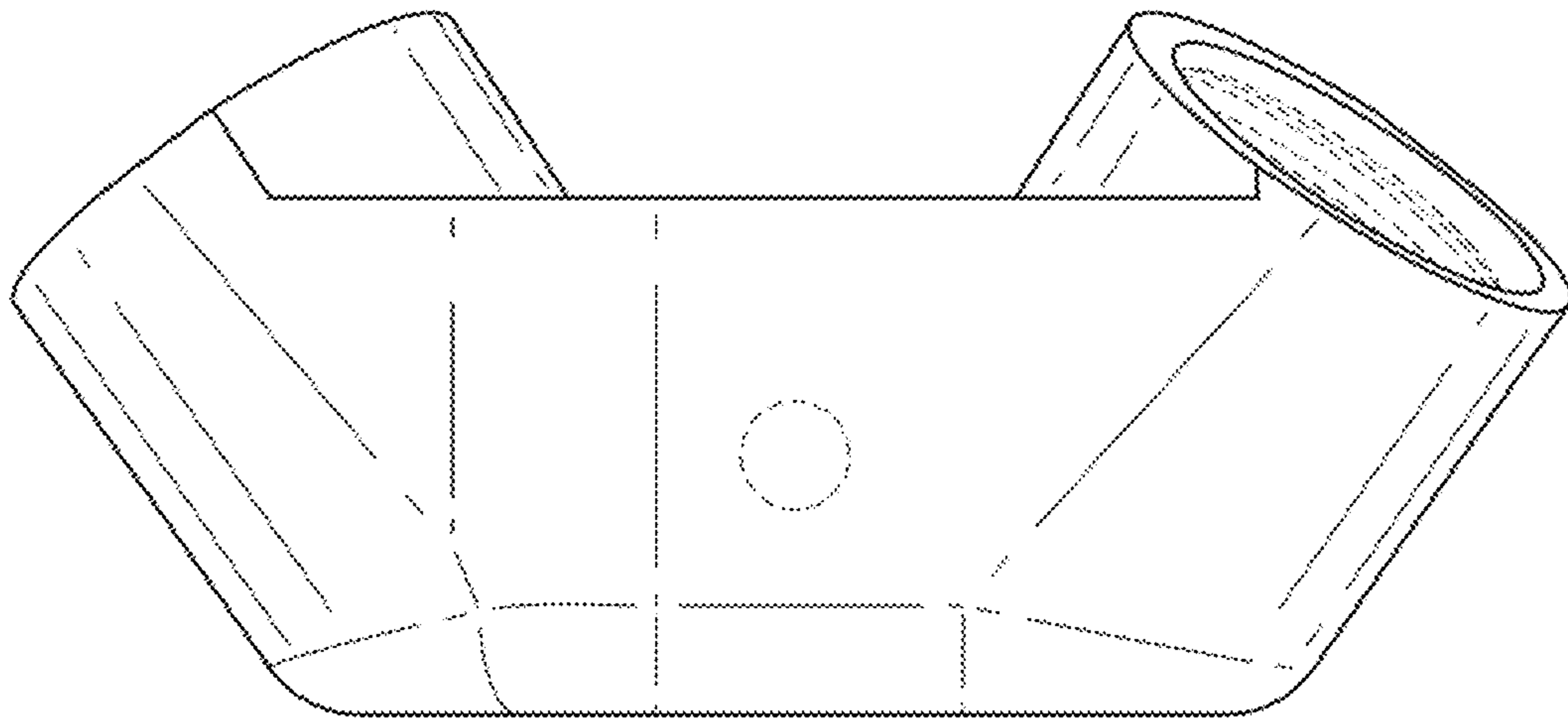


FIG. 4

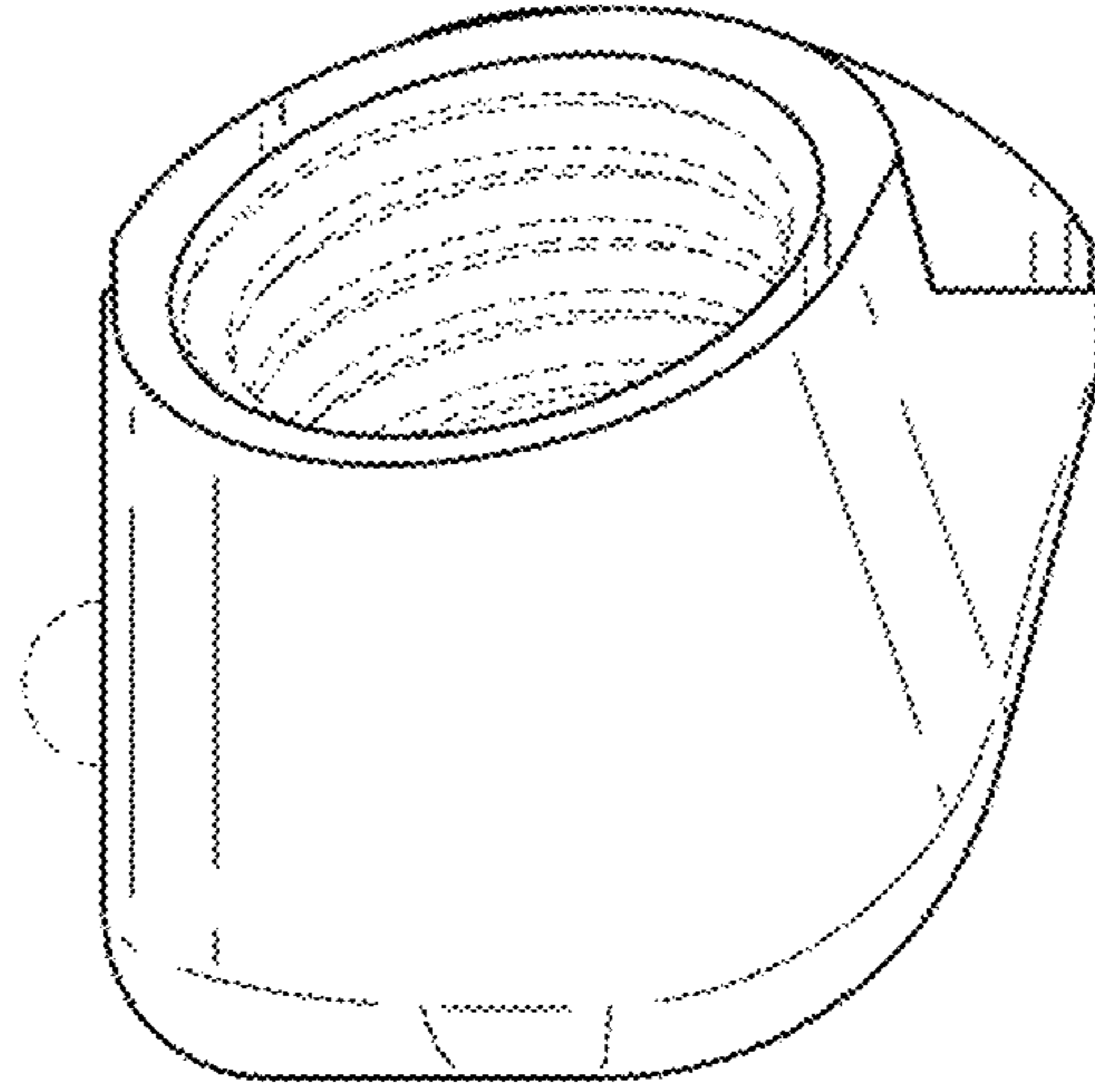


FIG. 5

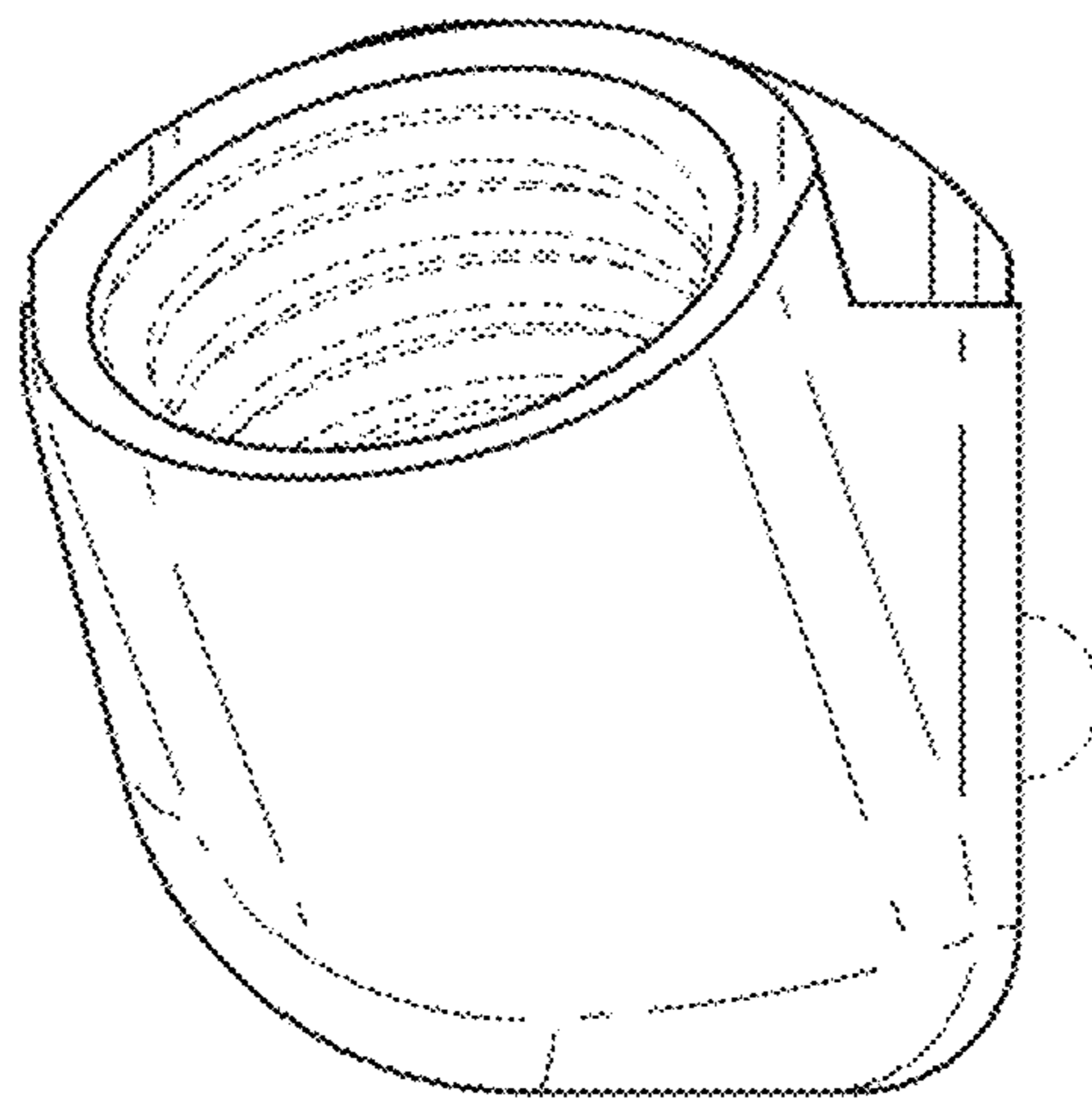


FIG. 6

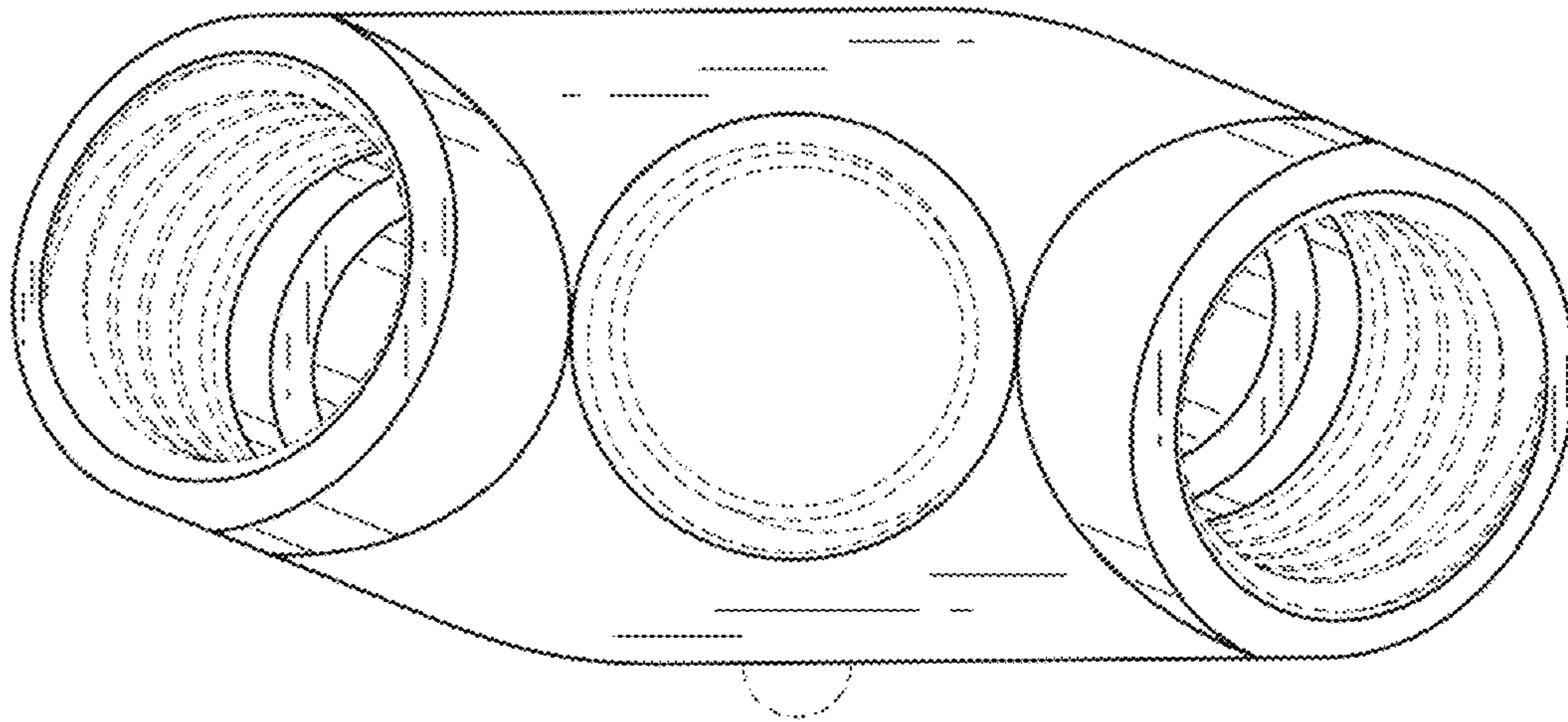


FIG. 7

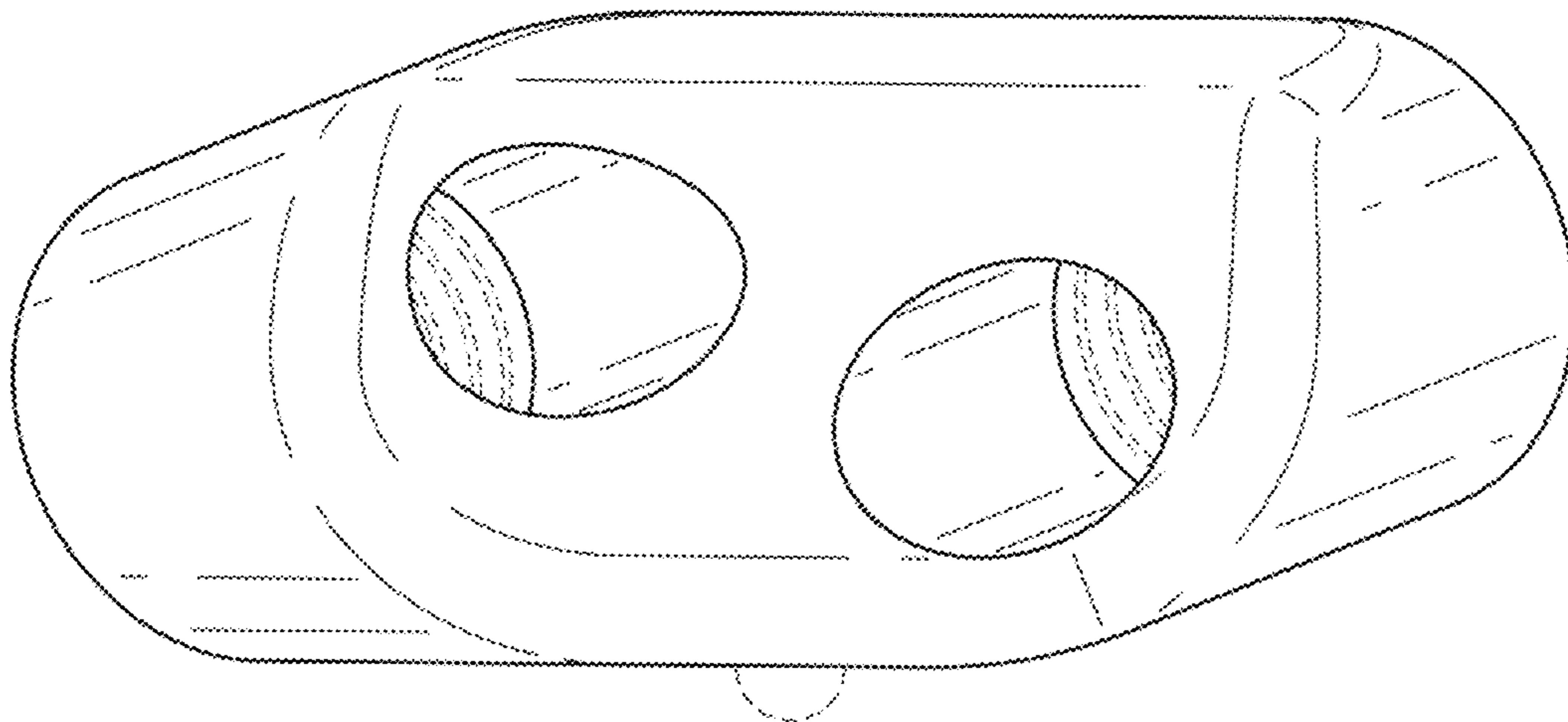


FIG. 8

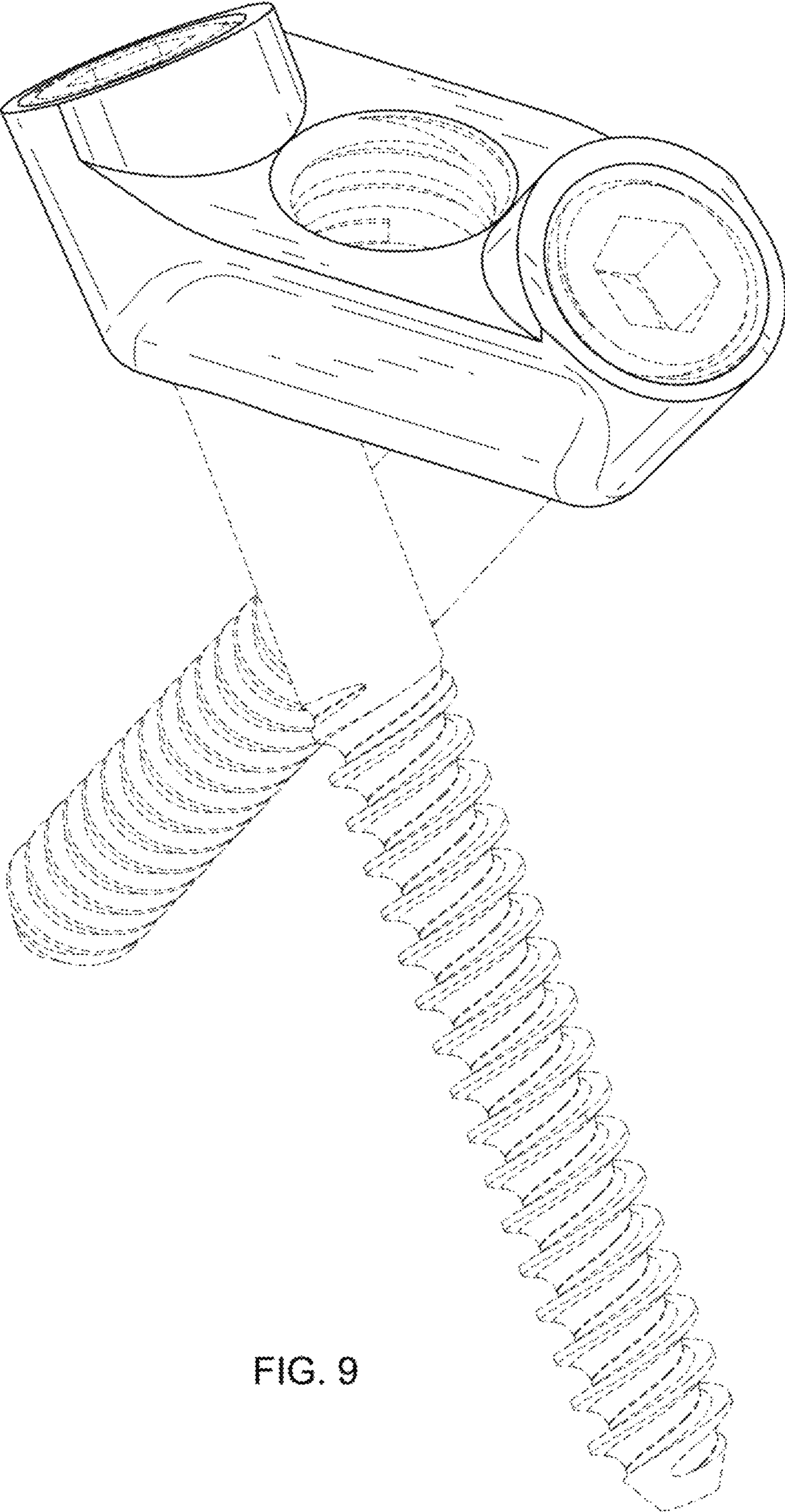


FIG. 9