



US00D885575S

(12) **United States Design Patent**
Termanini et al.

(10) **Patent No.:** **US D885,575 S**

(45) **Date of Patent:** **** May 26, 2020**

(54) **FEMORAL BALL COMPONENT**

(71) Applicant: **JOINT INNOVATION TECHNOLOGY, LLC.**, Boca Raton, FL (US)

(72) Inventors: **Zafer Termanini**, Port Saint Lucie, FL (US); **George A. Diamantoni**, Boca Raton, FL (US); **Brian Vanhiel**, Smyrna, GA (US); **Taylor Davis**, Atlanta, GA (US)

(73) Assignee: **Joint Innovation Technology, LLC.**, Boca Raton, FL (US)

(**) Term: **15 Years**

(21) Appl. No.: **29/626,211**

(22) Filed: **Nov. 15, 2017**

(51) **LOC (12) Cl.** **24-02**

(52) **U.S. Cl.**
USPC **D24/155**

(58) **Field of Classification Search**
USPC D24/155
CPC A61F 2/3609; A61F 2/3624
See application file for complete search history.

(56) **References Cited**

U.S. PATENT DOCUMENTS

D213,282 S *	1/1969	Ring	D24/155
D243,286 S *	2/1977	Deyerle	D24/155
D254,987 S *	5/1980	Treace	D24/155
D280,020 S *	8/1985	Homsy	D24/155
4,549,319 A *	10/1985	Meyer	A61F 2/30734 606/100
4,795,472 A *	1/1989	Crowninshield ...	A61F 2/30767 623/23.29

D339,634 S *	9/1993	Hori	D24/155
D469,808 S *	2/2003	Browne-Wilkinson	D19/62
D610,686 S *	2/2010	Klawitter	D24/155
D699,350 S *	2/2014	Faccioli	D24/155
D810,294 S *	2/2018	Messinger	D24/155
D858,772 S *	9/2019	Termanini	D24/155

* cited by examiner

Primary Examiner — Michael A. Pratt

(74) *Attorney, Agent, or Firm* — Norris McLaughlin, PA

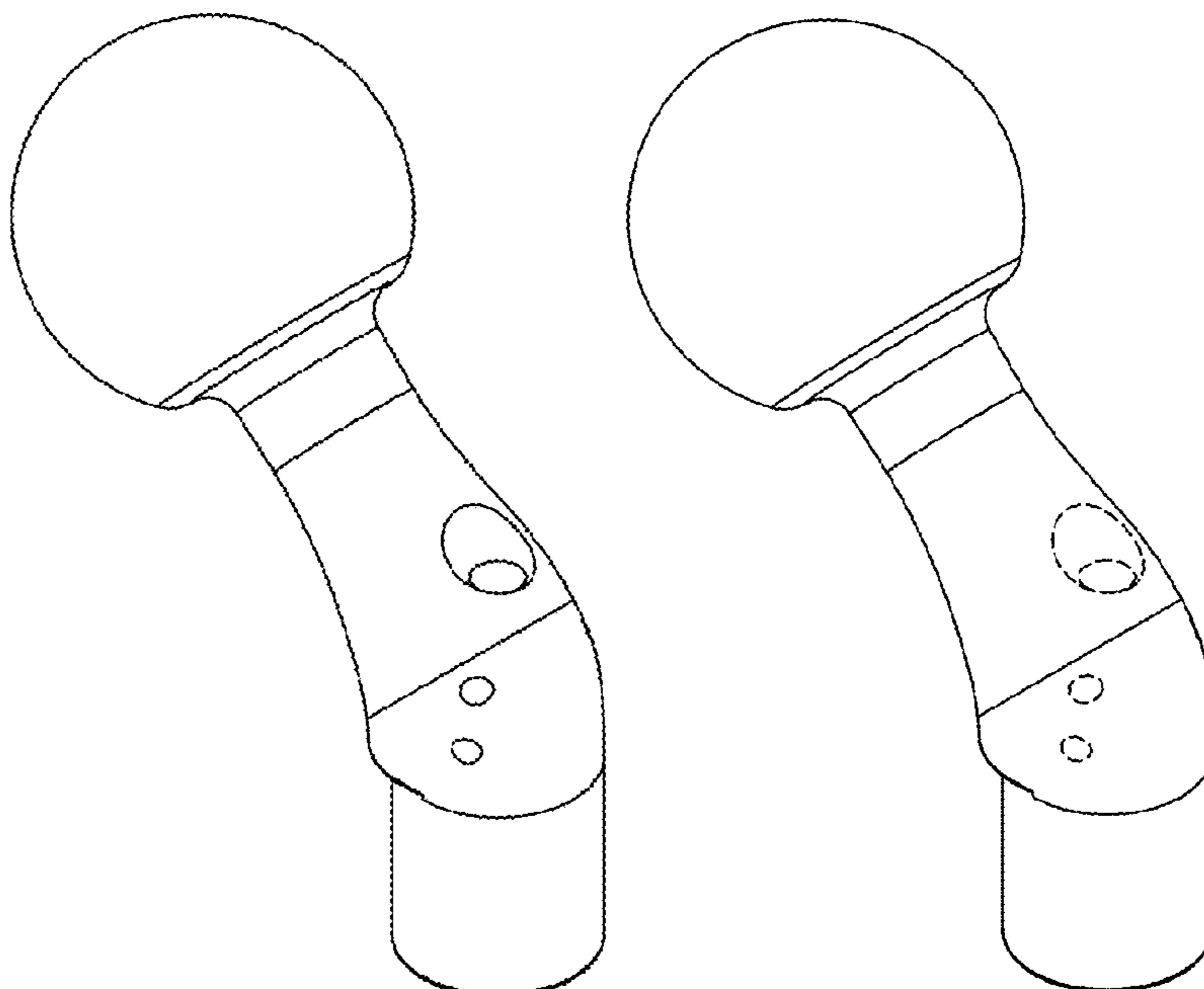
(57) **CLAIM**

The ornamental design for a femoral ball component, as shown and described.

DESCRIPTION

FIG. 1 is a front perspective view of a first embodiment of a femoral ball component;
 FIG. 2 is a first side elevational view thereof;
 FIG. 3 is a second side elevational view thereof;
 FIG. 4 is a front side elevational view thereof;
 FIG. 5 is a rear side elevational view thereof;
 FIG. 6 is a top plan view thereof; and
 FIG. 7 is a bottom plan view thereof.
 FIG. 8 is a front perspective view of a second embodiment of a femoral ball component;
 FIG. 9 is a first side elevational view thereof;
 FIG. 10 is a second side elevational view thereof;
 FIG. 11 is a front side elevational view thereof;
 FIG. 12 is a rear side elevational view thereof;
 FIG. 13 is a top plan view thereof; and,
 FIG. 14 is a bottom plan view thereof.
 Portions of the figures enclosed in broken lines form no part of the claimed design.

1 Claim, 14 Drawing Sheets



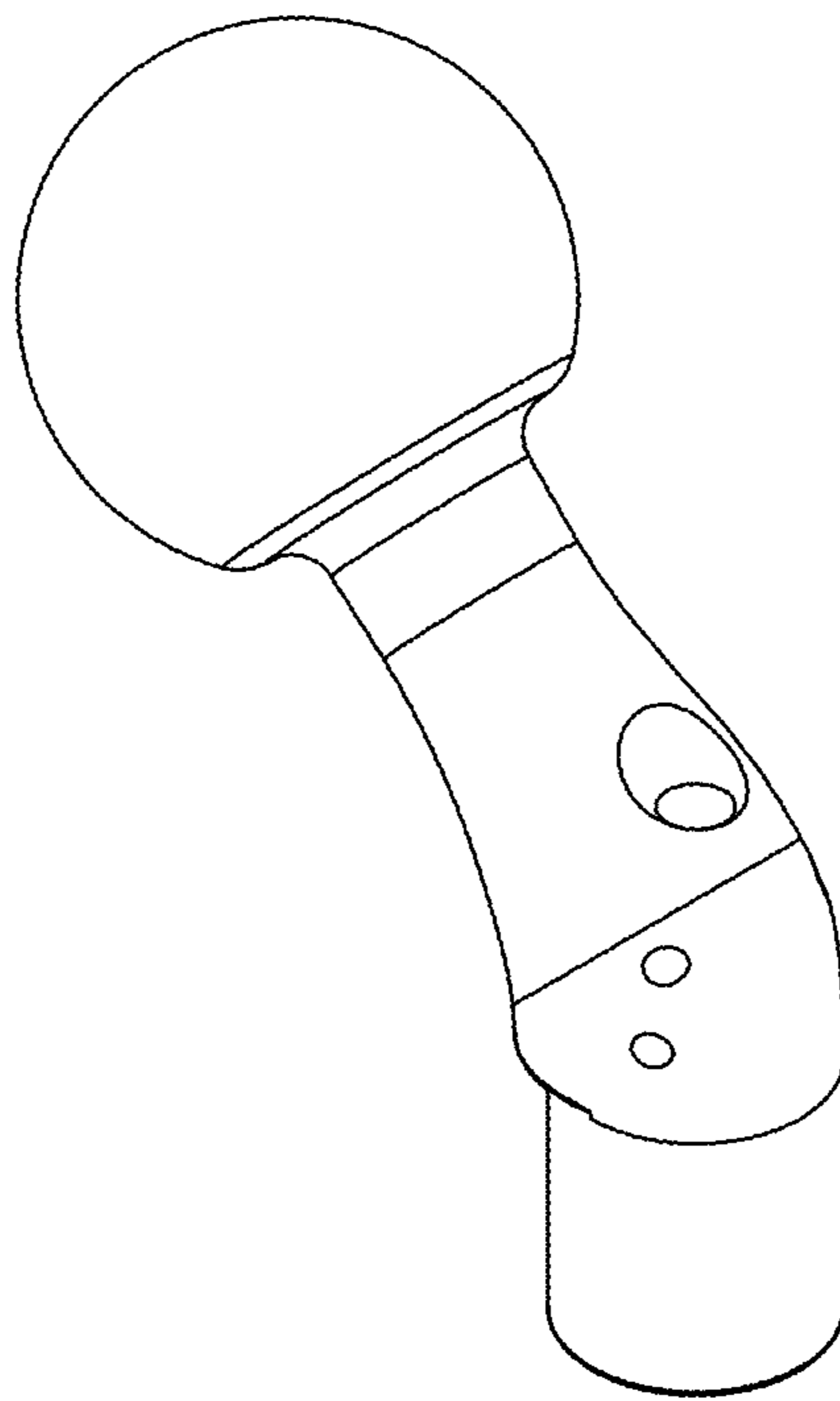


FIG.1

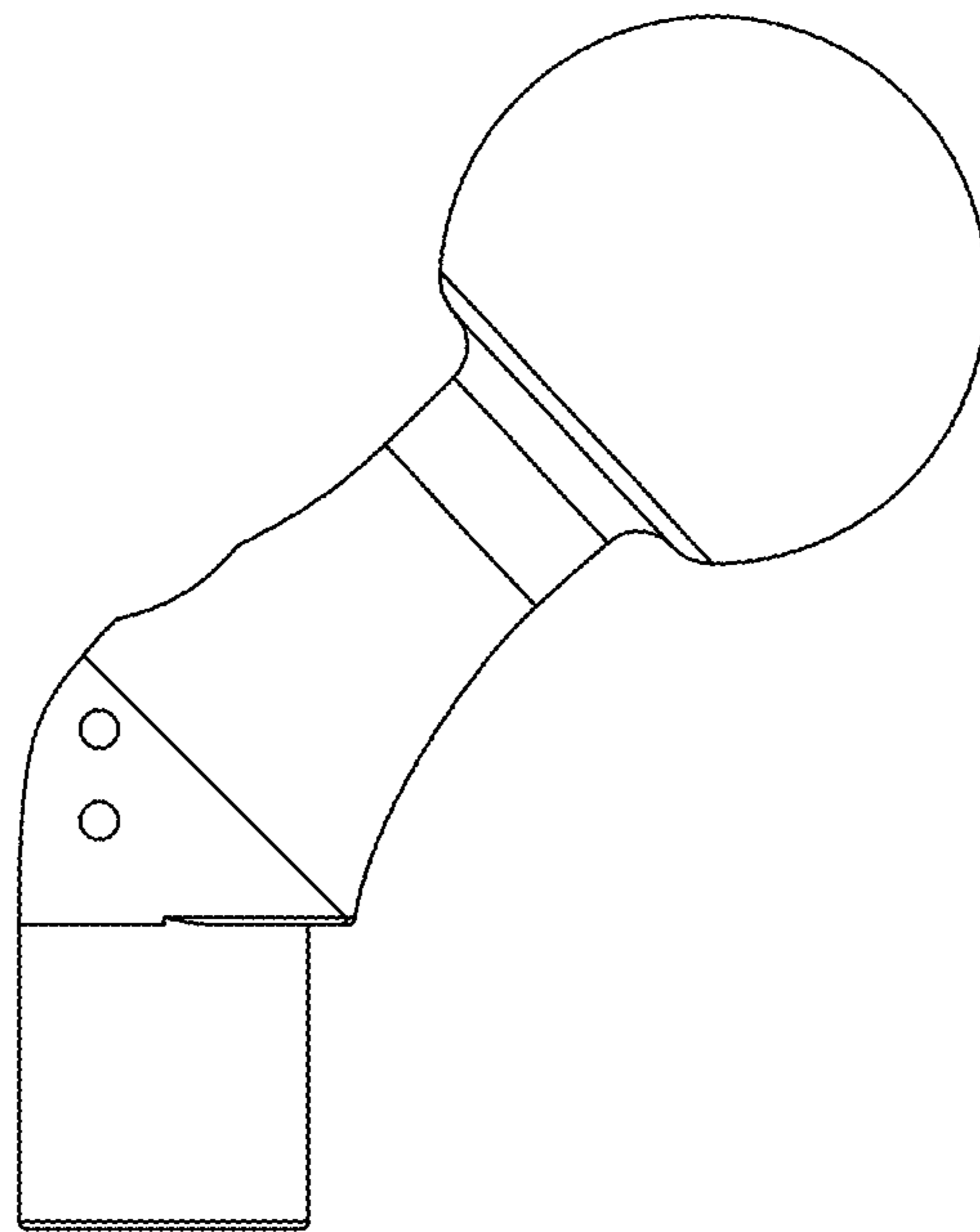


FIG.2

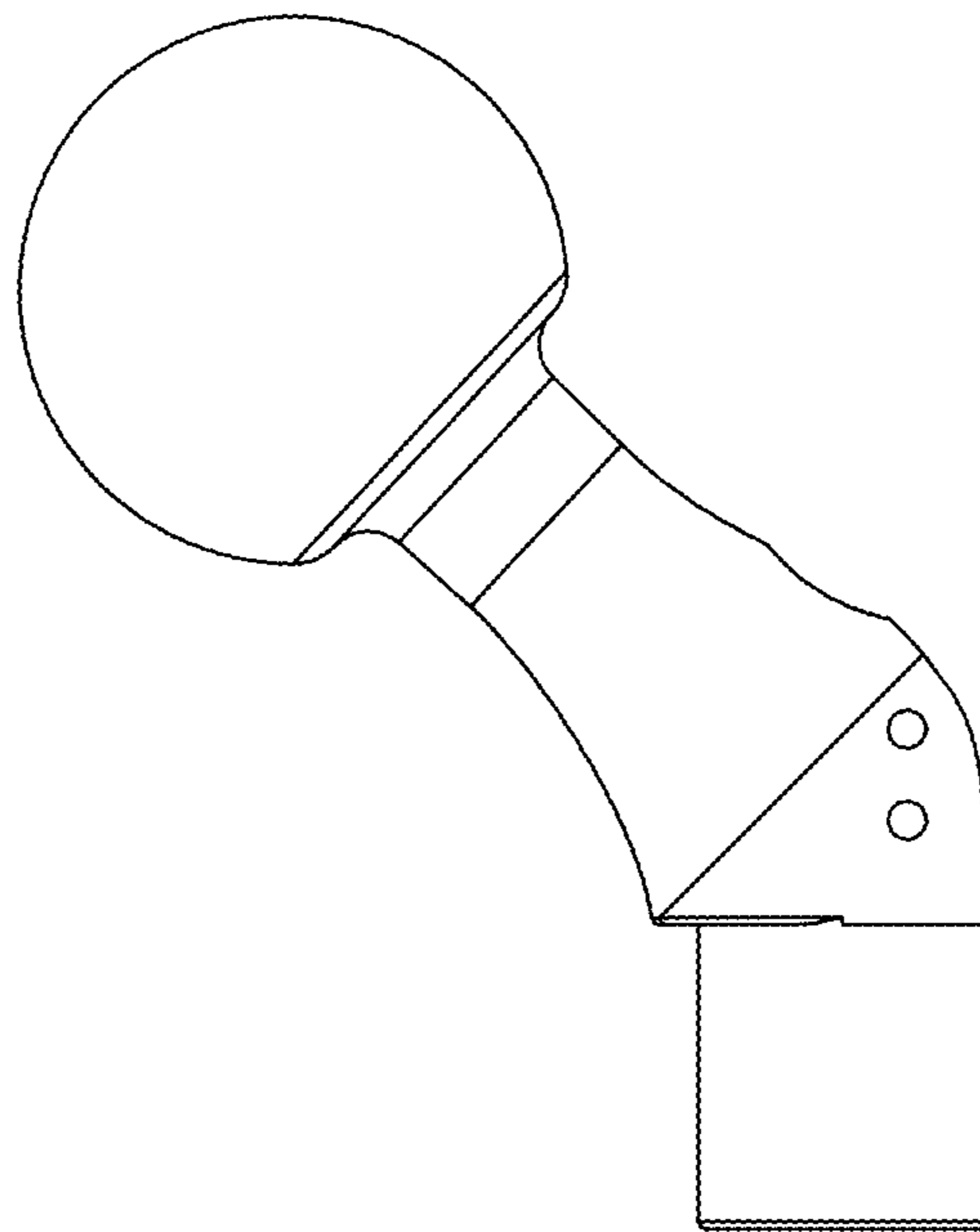


FIG.3

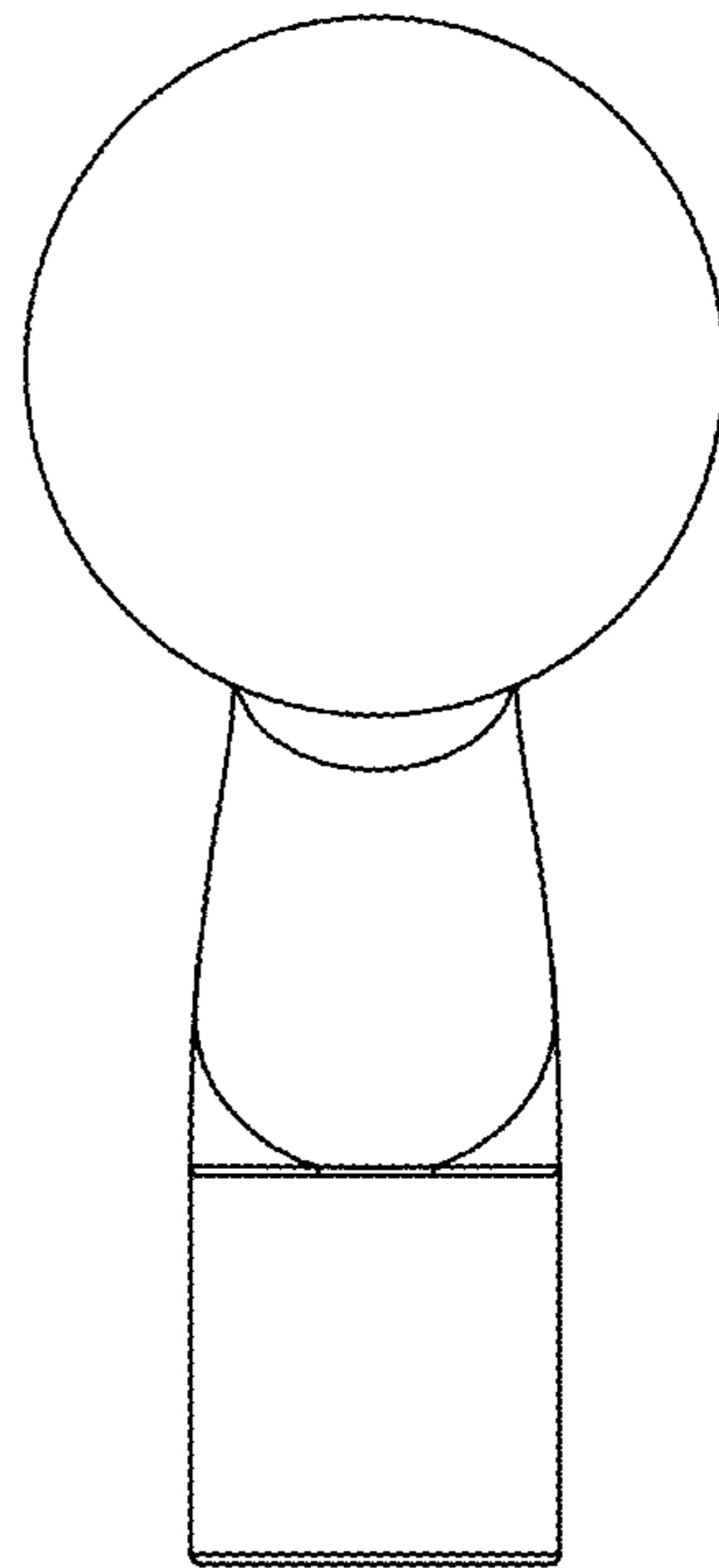


FIG.4

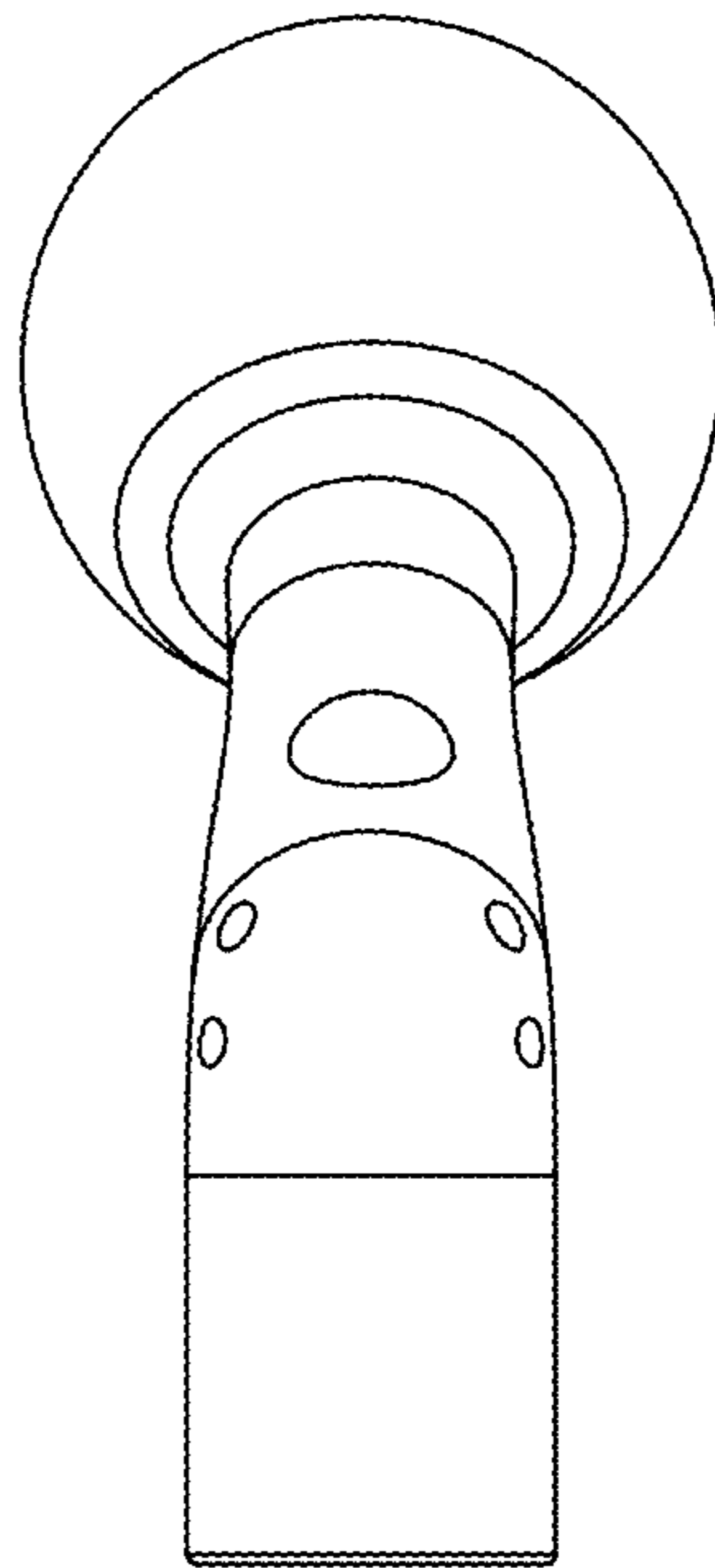


FIG. 5

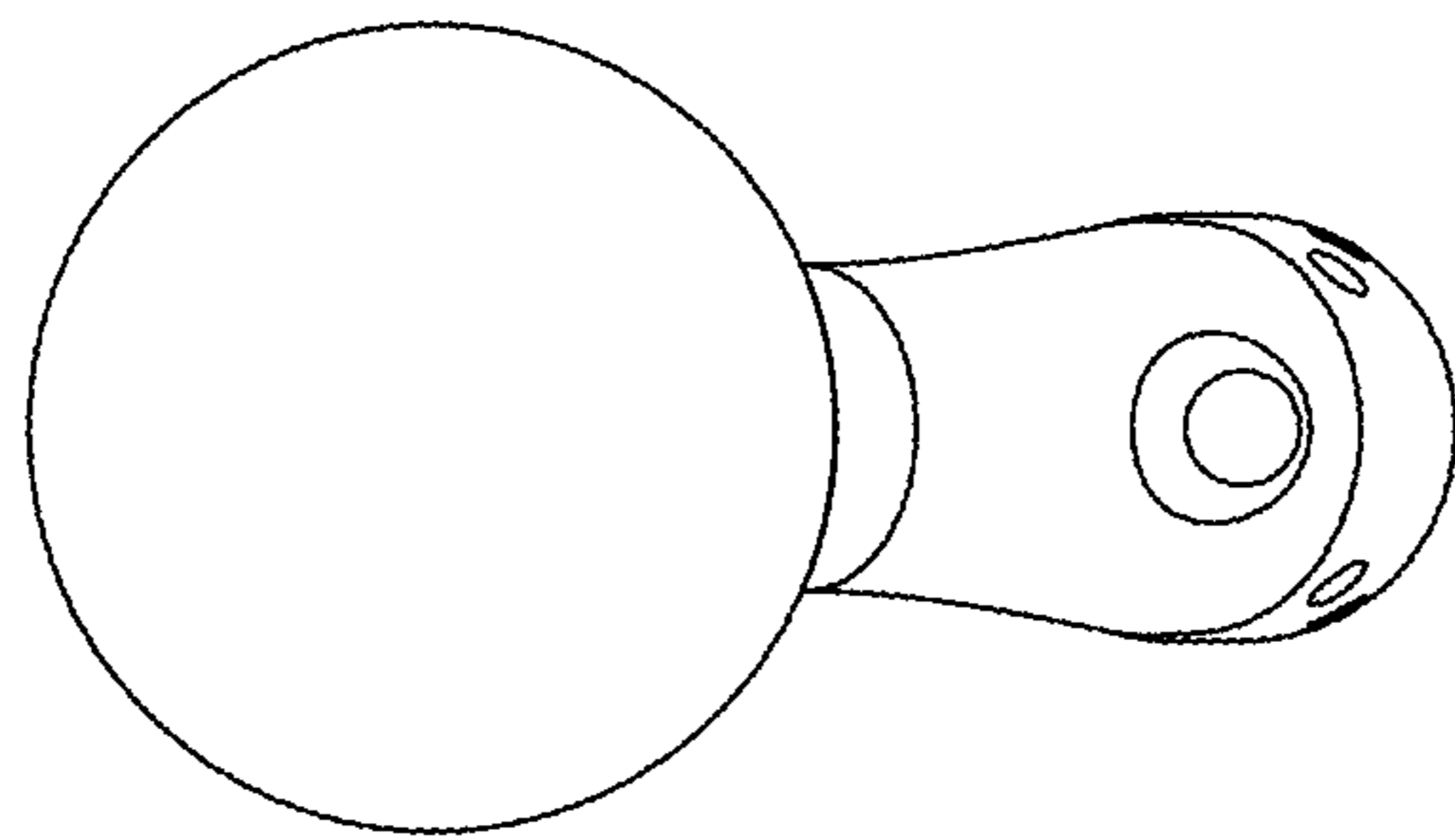


FIG.6

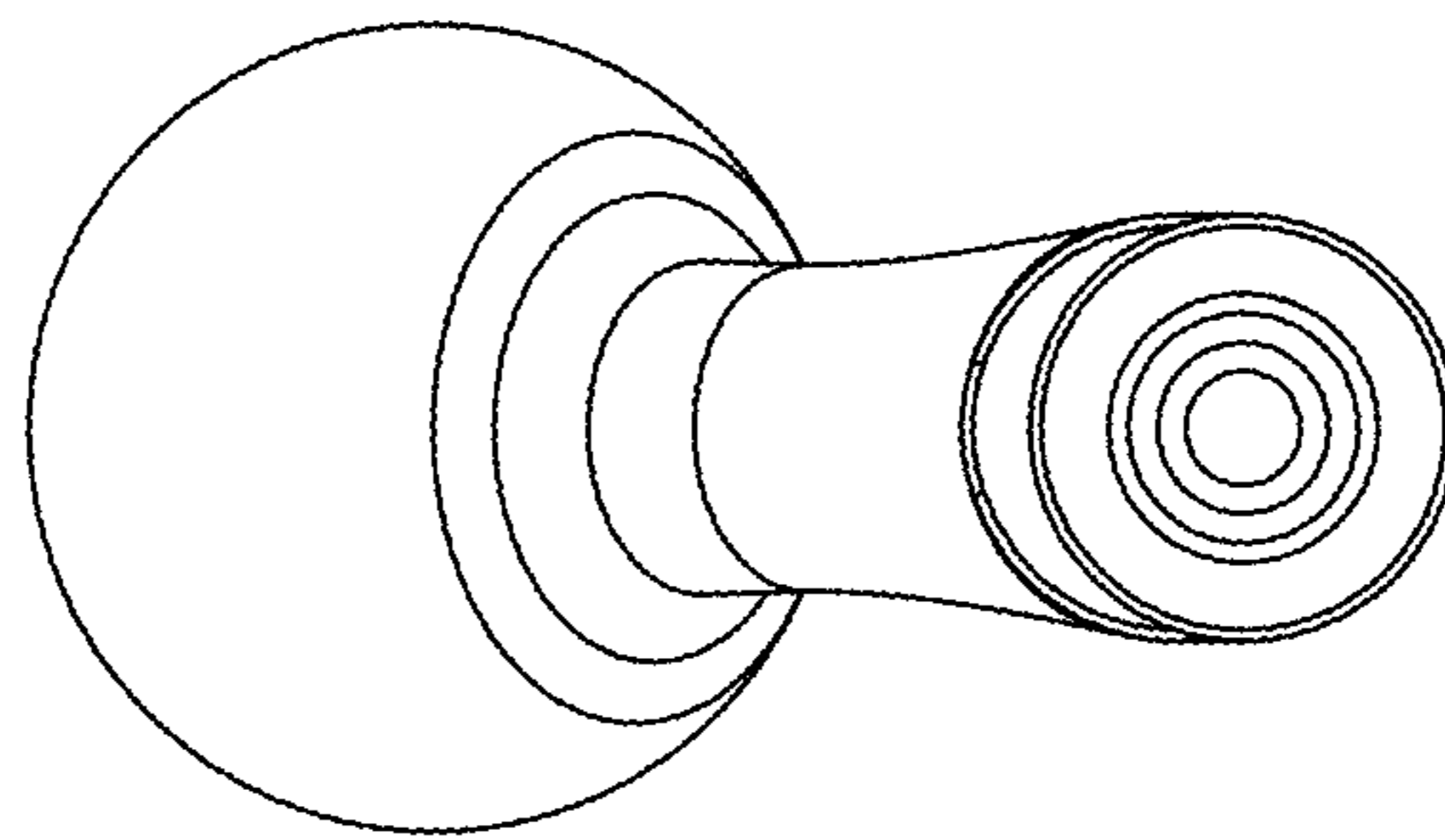


FIG.7

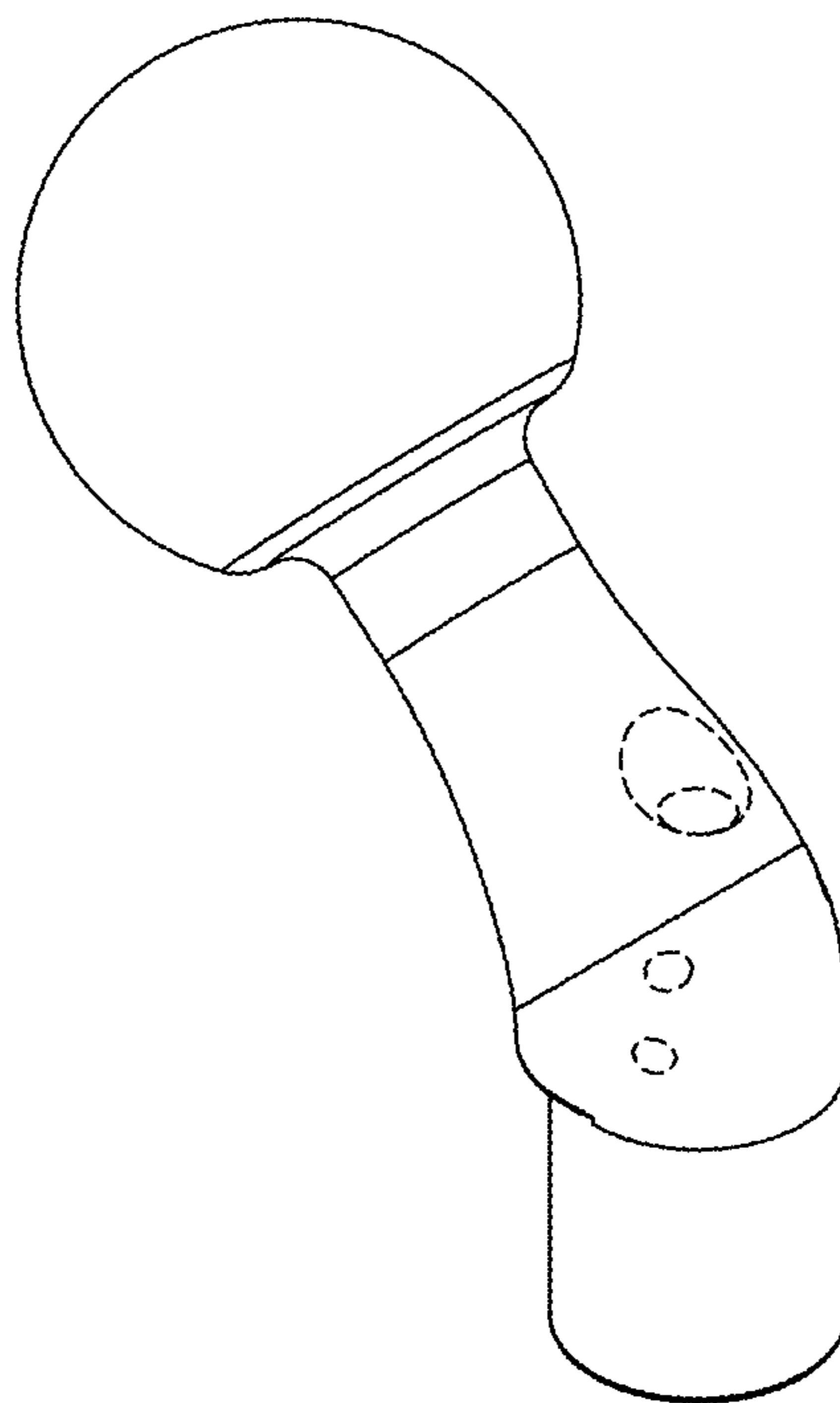


FIG.8

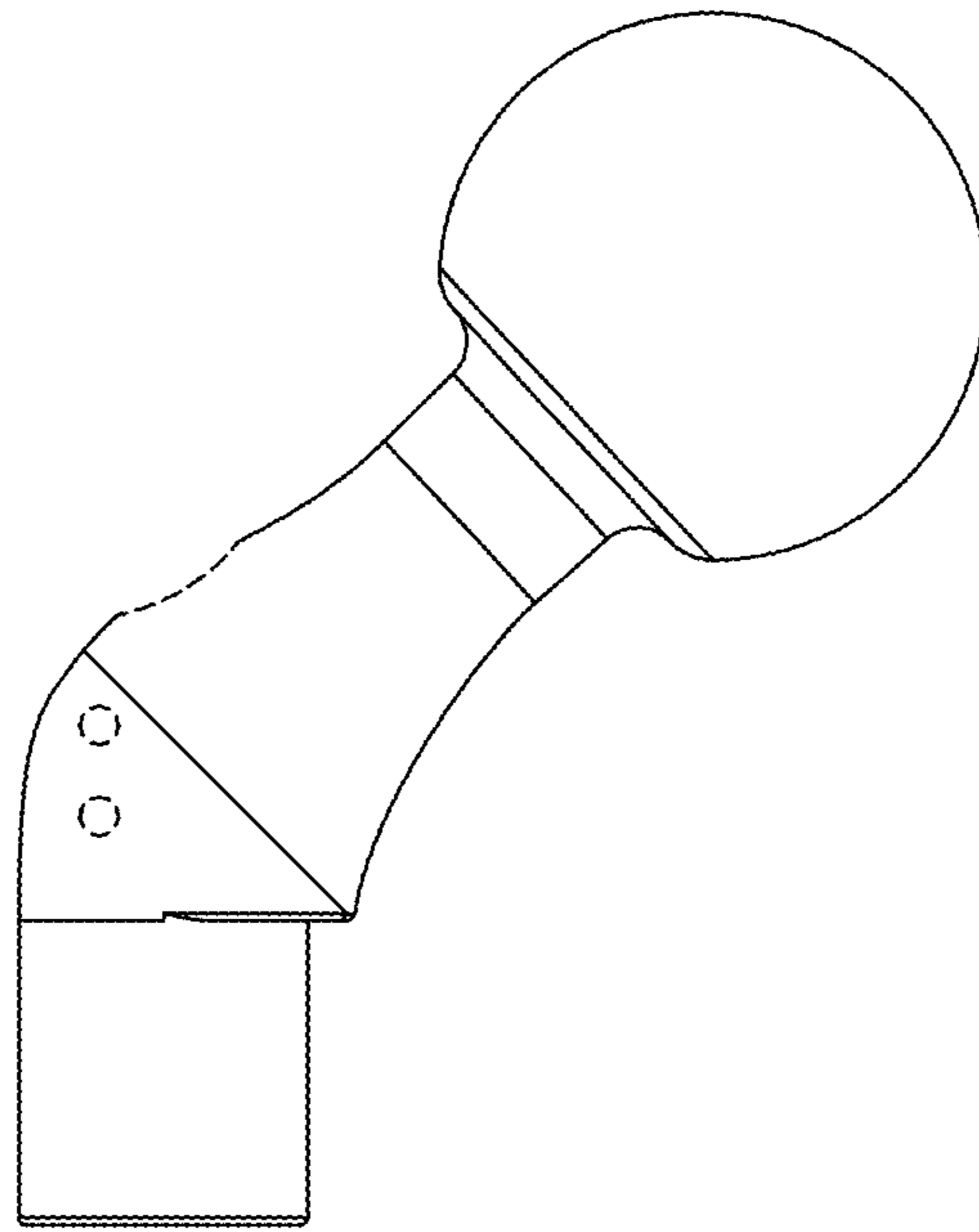


FIG.9

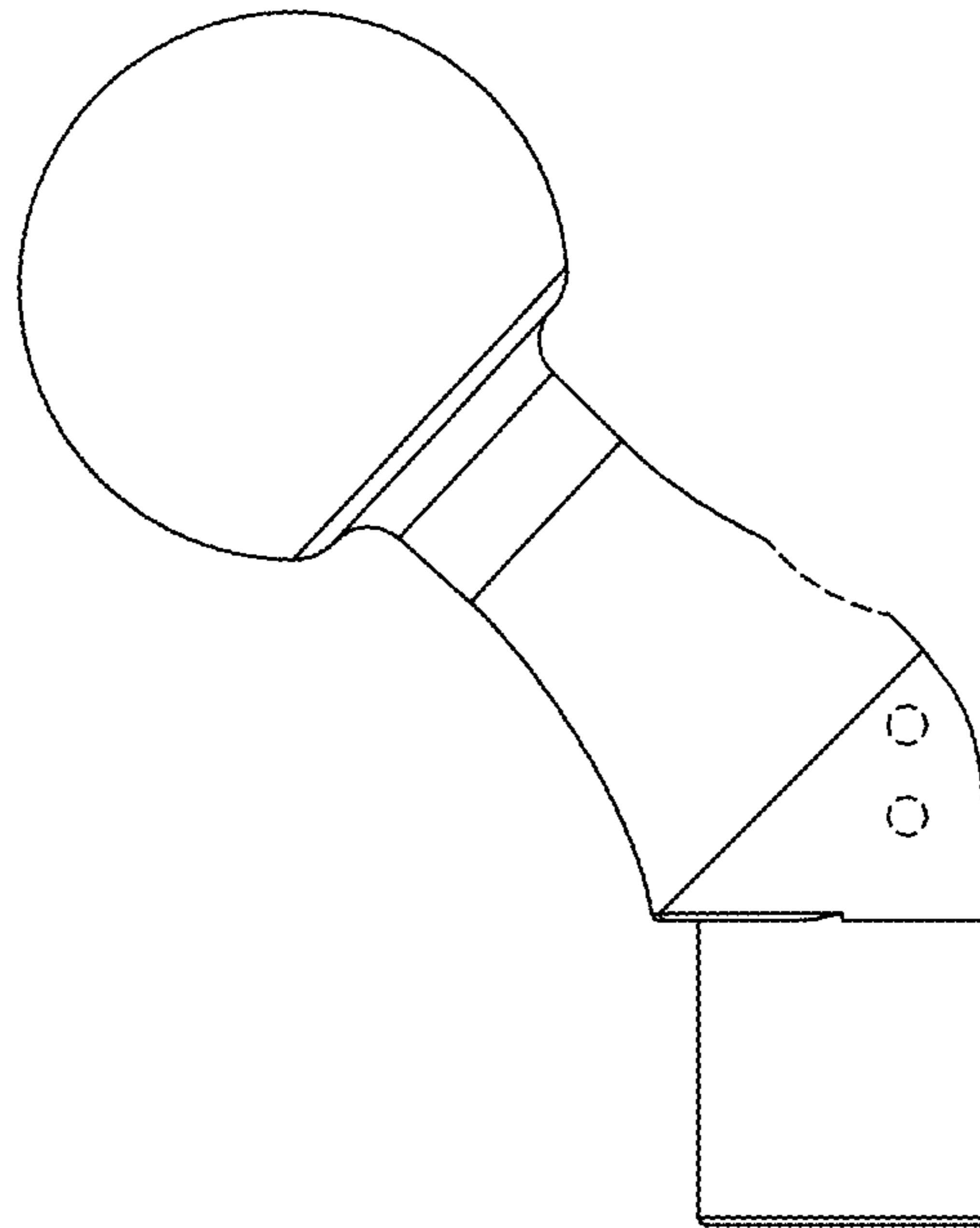


FIG.10

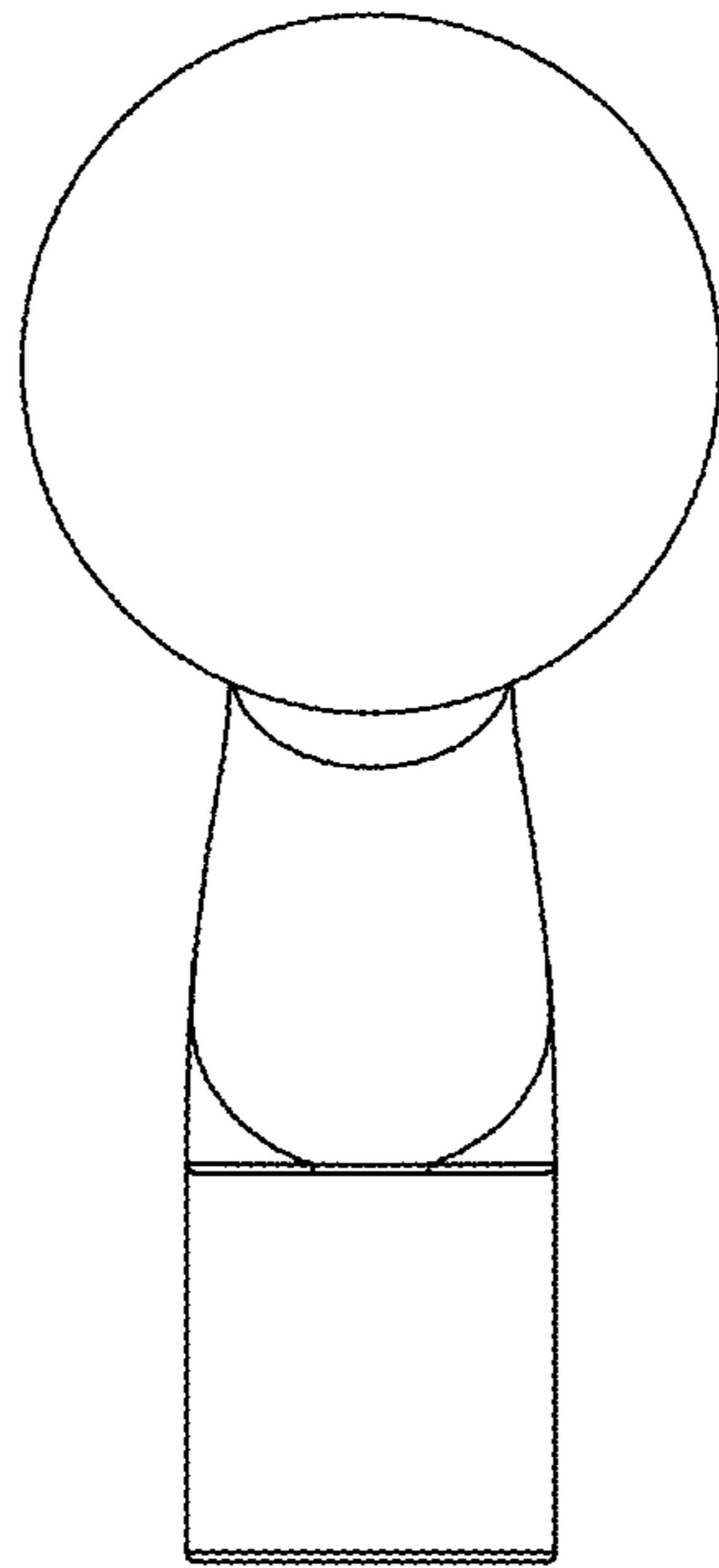


FIG.11

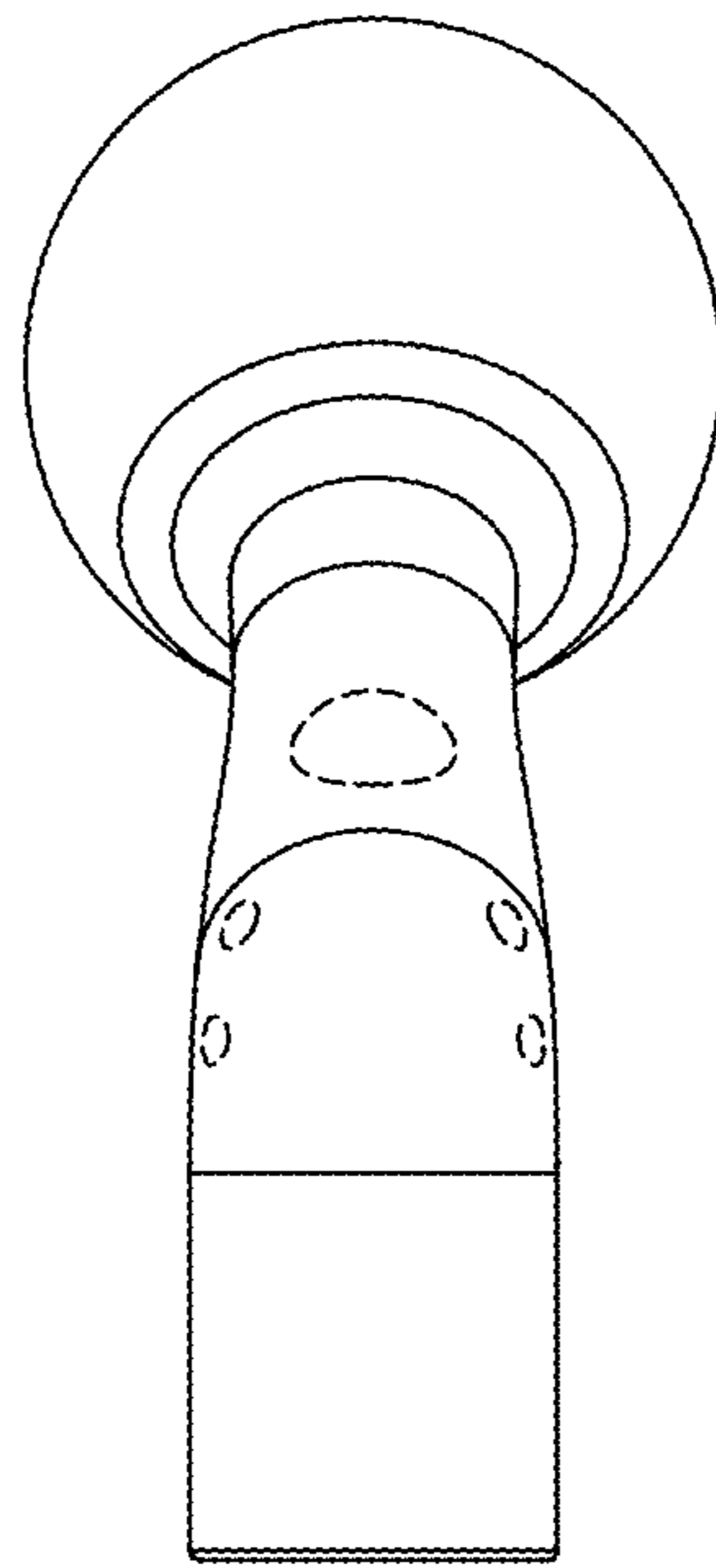


FIG.12

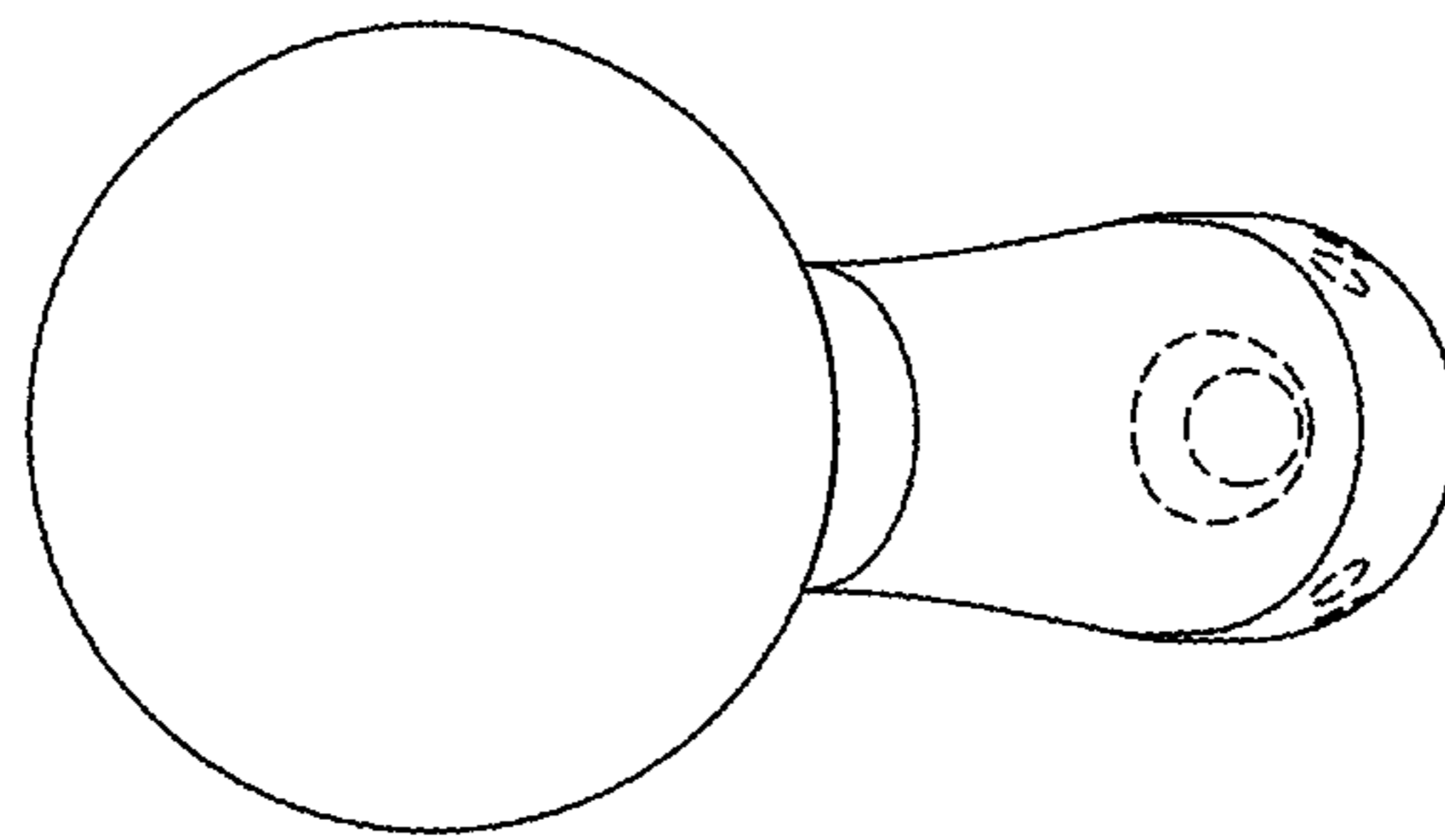


FIG. 13

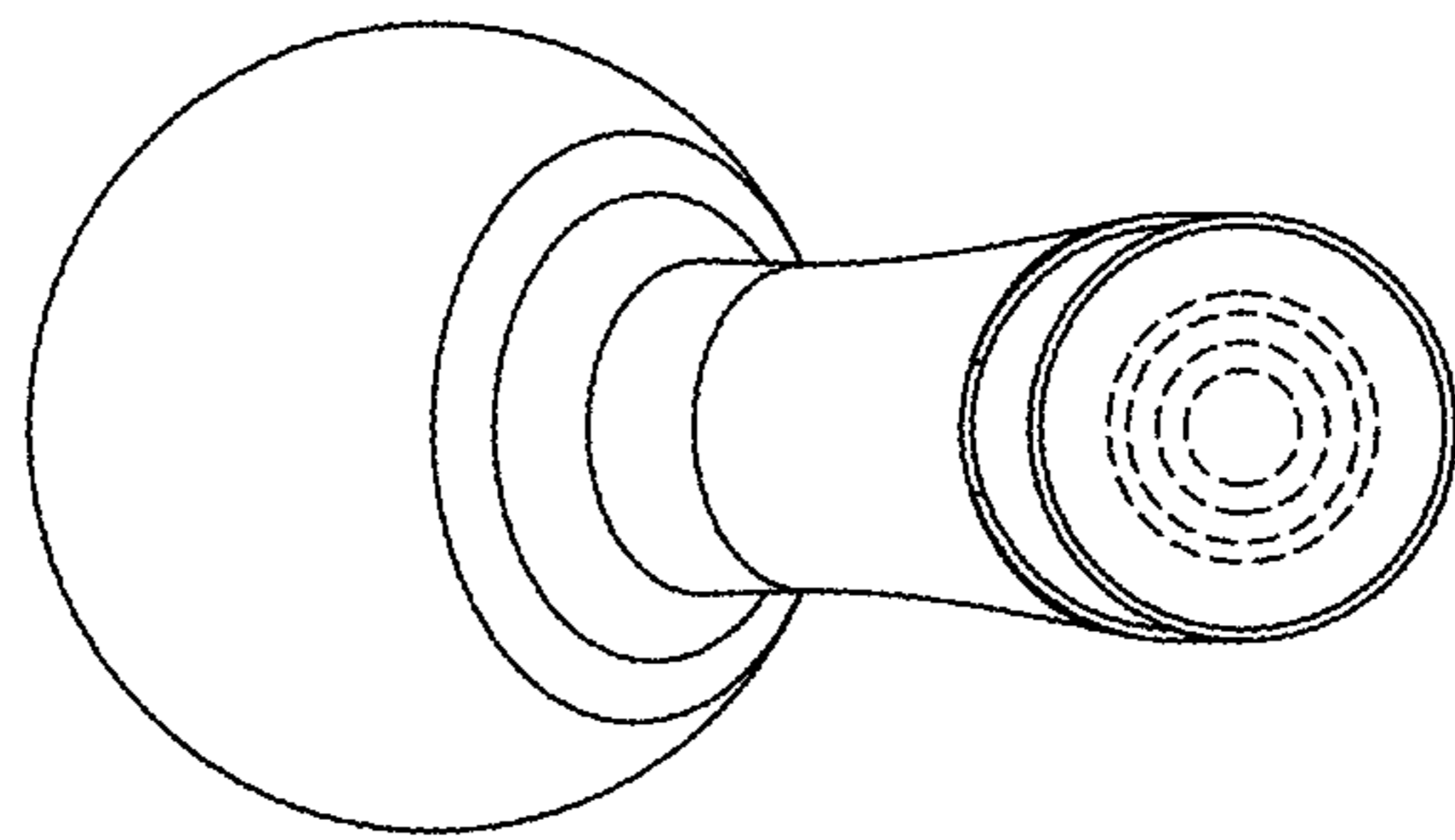


FIG.14