



US00D885573S

(12) **United States Design Patent**  
**Heni et al.**

(10) **Patent No.:** **US D885,573 S**

(45) **Date of Patent:** **\*\* \*May 26, 2020**

(54) **STERILE COVER**

(71) Applicant: **Karl Storz GmbH & Co. KG,**  
Tuttlingen (DE)

(72) Inventors: **Andreas Heni,** Tuttlingen (DE);  
**Benedikt Koehler,** Tuttlingen (DE);  
**Patrick Wollenweber,** Tuttlingen (DE);  
**Christian Schneider,** Tuttlingen (DE)

(73) Assignee: **KARL STORZ SE & Co. KG,**  
Tuttlingen (DE)

(\*) Notice: This patent is subject to a terminal disclaimer.

(\*\*) Term: **15 Years**

(21) Appl. No.: **29/590,878**

(22) Filed: **Jan. 13, 2017**

(30) **Foreign Application Priority Data**

Sep. 22, 2016 (EM) ..... 003389410-0001

(51) **LOC (12) Cl.** ..... **24-02**

(52) **U.S. Cl.**  
USPC ..... **D24/138**

(58) **Field of Classification Search**  
USPC ..... D24/133, 134, 137, 138, 189; 600/101,  
600/102  
CPC ..... A61B 19/08  
See application file for complete search history.

(56) **References Cited**

U.S. PATENT DOCUMENTS

3,650,153 A \* 3/1972 Schwab ..... G01K 1/083  
338/28  
D278,363 S \* 4/1985 Schenkel ..... D24/189

D536,237 S \* 2/2007 Smith ..... D8/353  
8,678,009 B2 \* 3/2014 Hagn ..... A61B 46/10  
128/852  
D755,980 S \* 5/2016 Jakobsen ..... D24/189  
D759,828 S \* 6/2016 Riedle ..... D24/189  
D798,462 S \* 9/2017 Sengelmann ..... D24/189  
2007/0162102 A1 \* 7/2007 Ryan ..... A61F 2/958  
623/1.12  
2012/0045598 A1 \* 2/2012 Hagn ..... A61B 46/10  
428/34.1

\* cited by examiner

*Primary Examiner* — Ian Simmons

*Assistant Examiner* — Yolanda Robinson

(74) *Attorney, Agent, or Firm* — Muncy, Geissler, Olds & Lowe, P.C.

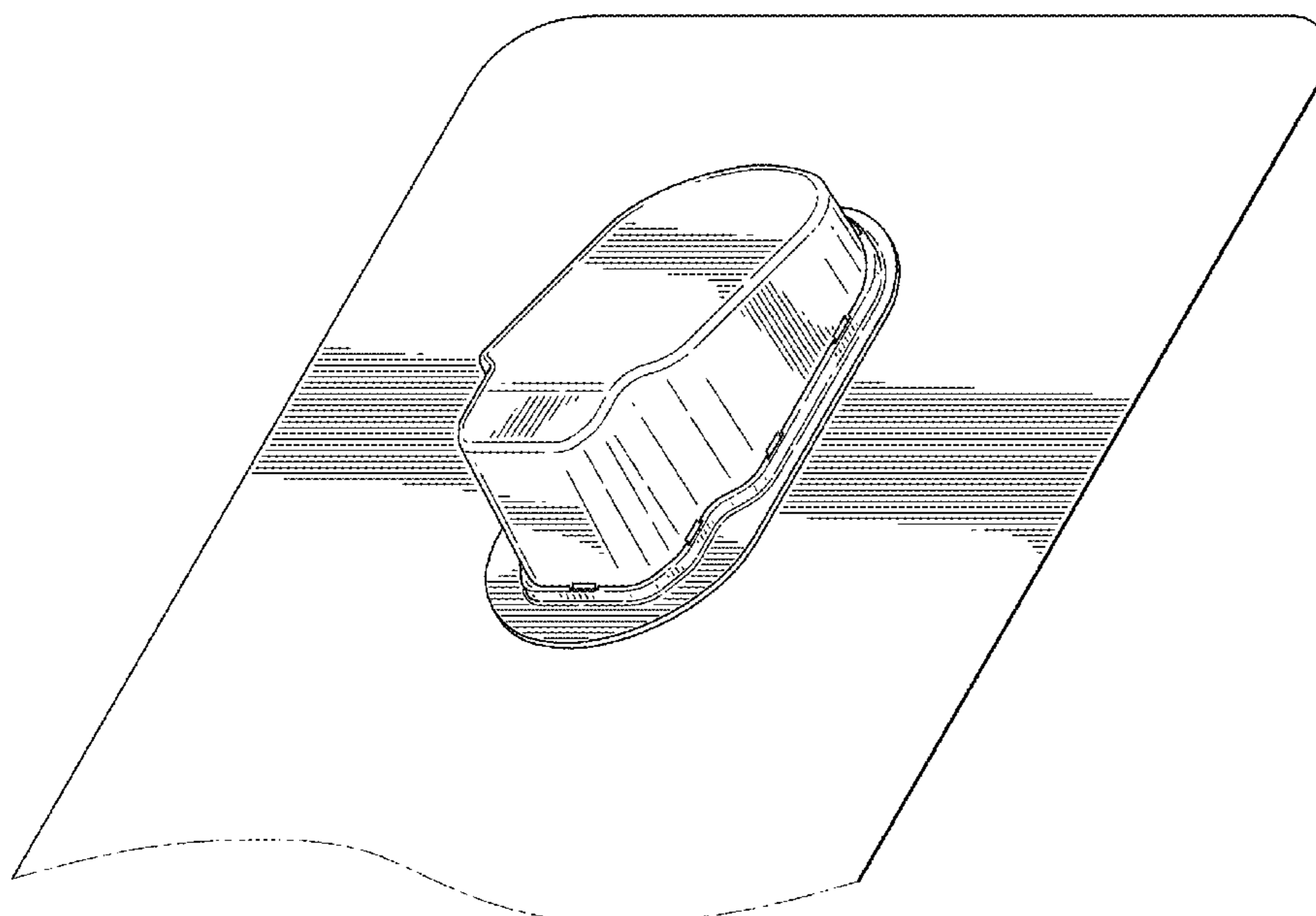
(57) **CLAIM**

The ornamental design for a sterile cover, as shown and described.

**DESCRIPTION**

FIG. 1 is a front perspective view of a sterile cover according to our design;  
FIG. 2 is a front view thereof;  
FIG. 3 is a rear view thereof;  
FIG. 4 is a left side view thereof;  
FIG. 5 is a right side view thereof;  
FIG. 6 is a bottom plan view thereof; and,  
FIG. 7 is a top plan view thereof.  
The dash dot dash broken lines shown in FIGS. 1, 2 & 4-7 and the dash dash broken lines shown in FIG. 6 are for the purpose of illustrating portions of the sterile cover that form no part of the claimed design. None of the broken lines form any part of the claimed design.

**1 Claim, 7 Drawing Sheets**



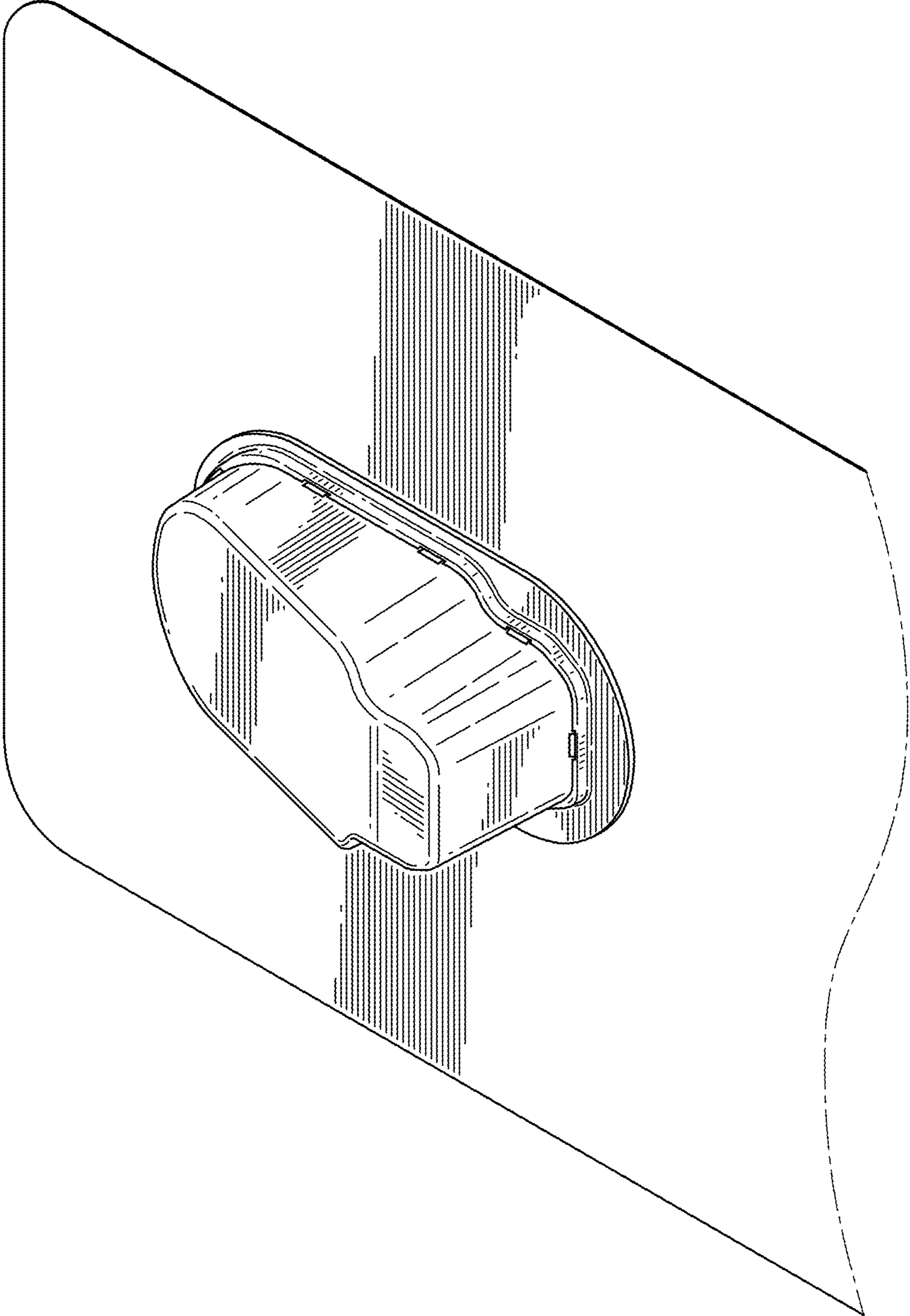


FIG.1

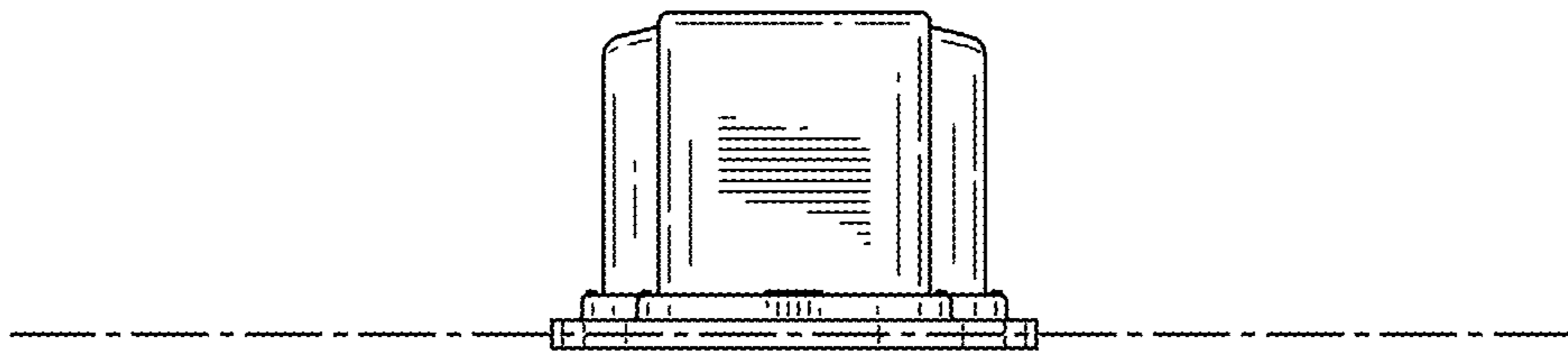


FIG.2

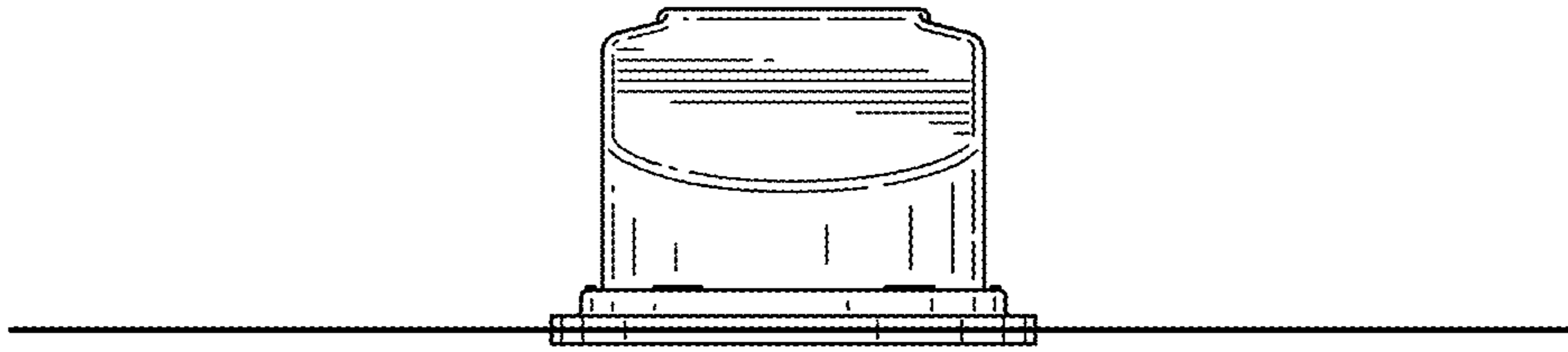


FIG.3

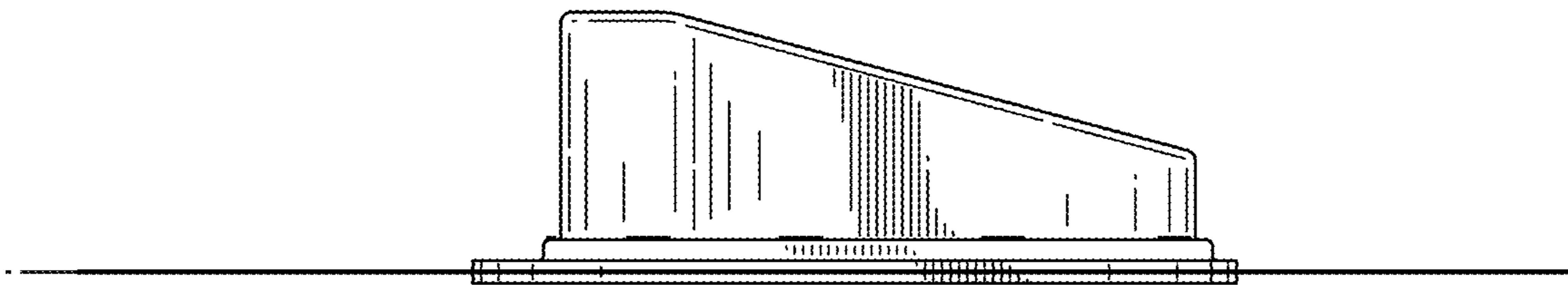


FIG.4

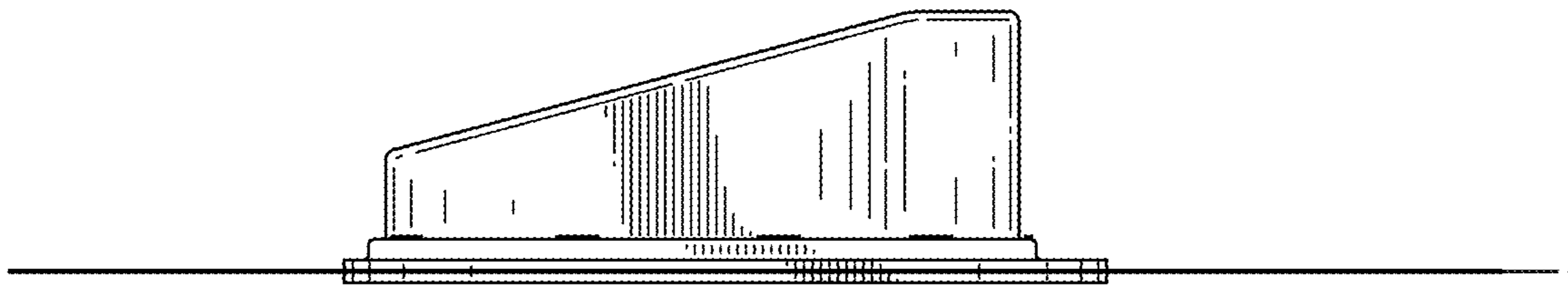


FIG.5

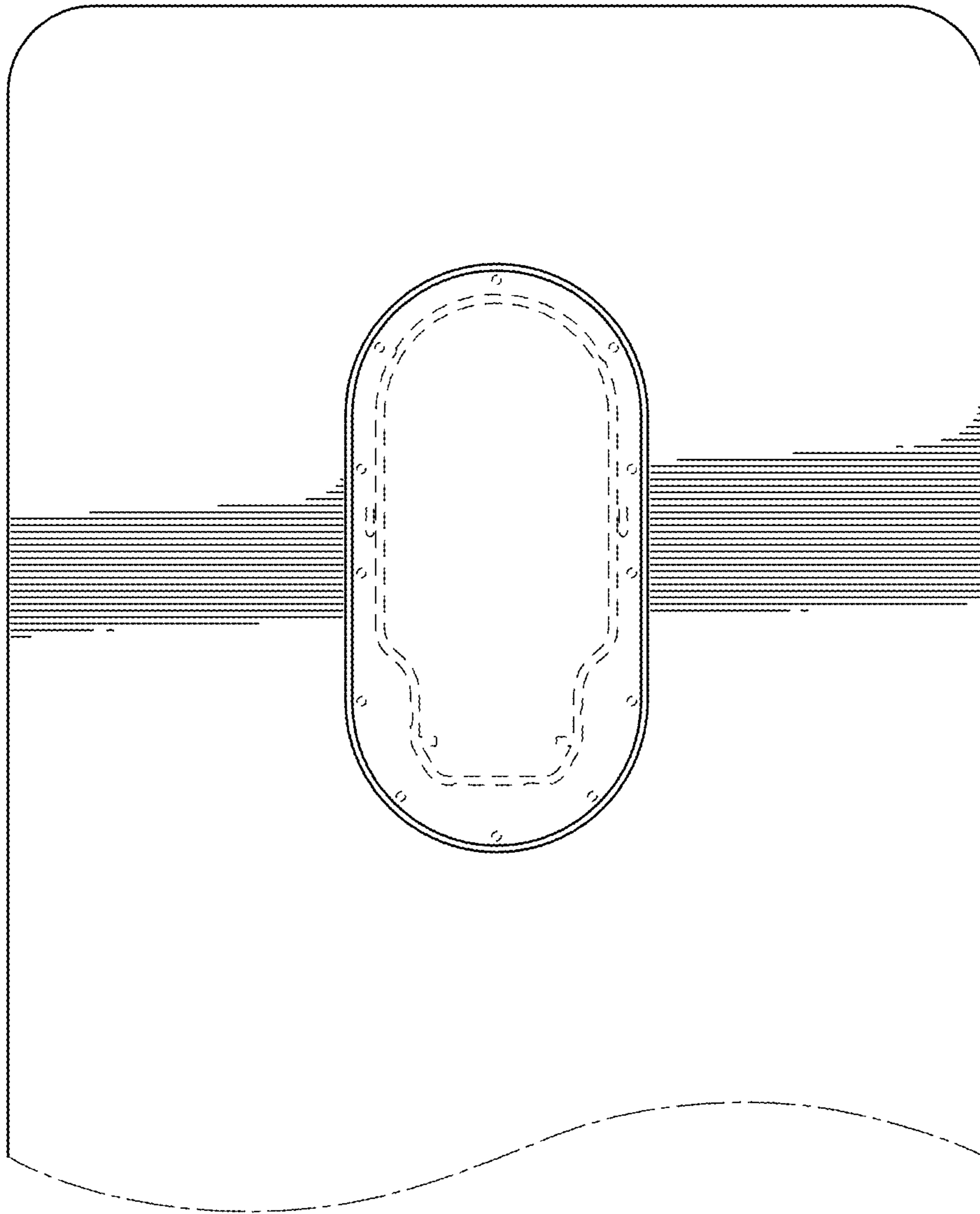


FIG.6



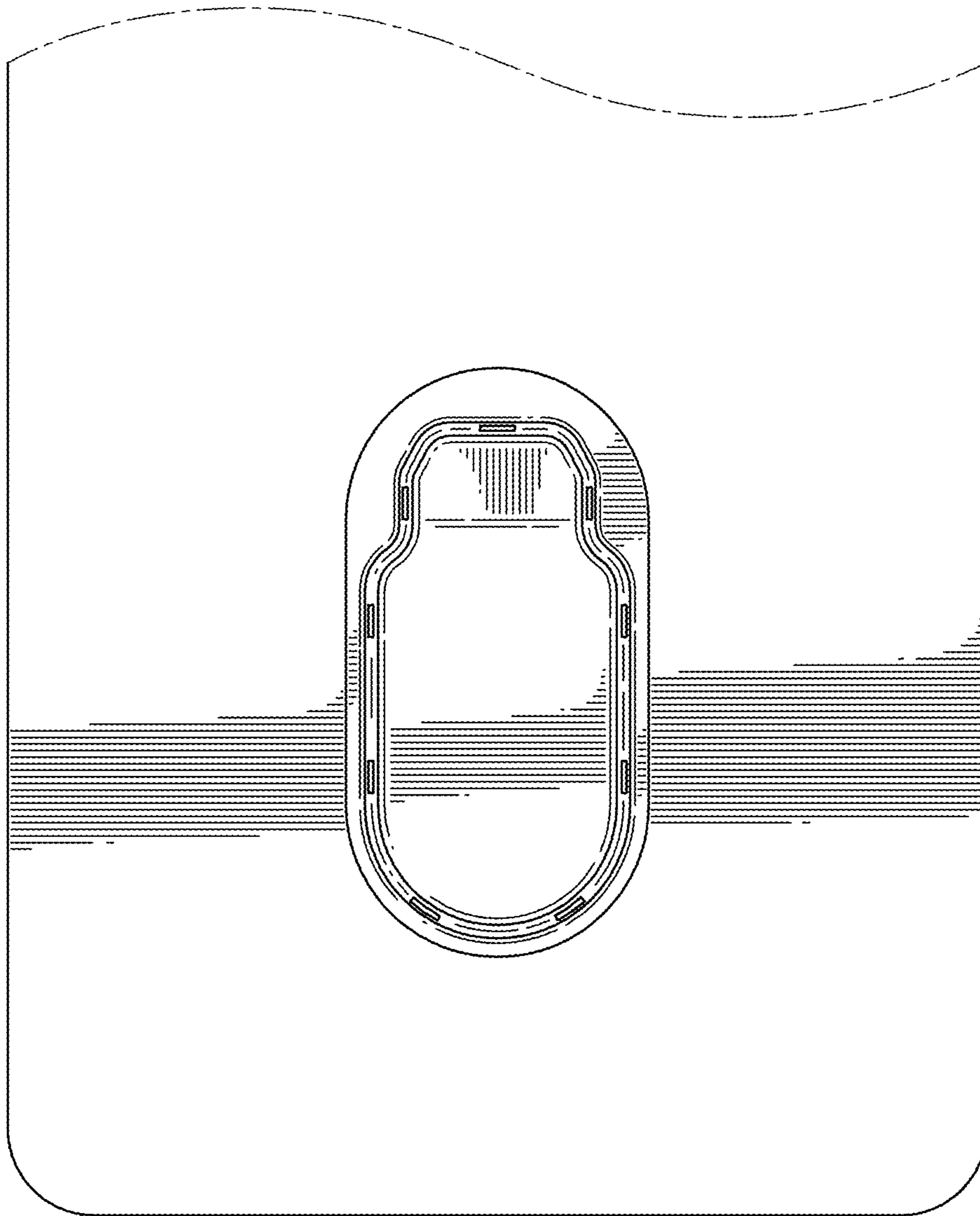


FIG.7