



US00D885568S

(12) **United States Design Patent** (10) **Patent No.:** **US D885,568 S**  
**Haddad et al.** (45) **Date of Patent:** **\*\* May 26, 2020**

(54) **INTRAVENOUS TUBING INDICATOR FOR AN ANTIHYPERTENSIVE MEDICATION**

(56) **References Cited**

U.S. PATENT DOCUMENTS

(71) Applicant: **Star Luminal LLC**, San Antonio, TX (US)  
(72) Inventors: **Eric A. Haddad**, Boerne, TX (US);  
**Bryce G. Rutter**, St. Louis, MO (US);  
**Tucker P. Brown**, St. Louis, MO (US);  
**David J. Friedman**, San Antonio, TX (US)  
(73) Assignee: **STAR LUMINAL LLC**, San Antonio, TX (US)

5,613,012 A 3/1997 Hoffman et al.  
D386,211 S \* 11/1997 Taparuskas, Jr. .... D20/22  
D556,606 S \* 12/2007 Stauffer ..... D10/15  
7,338,476 B2 3/2008 Kraushaar  
7,374,318 B2 5/2008 Brooks et al.  
7,455,662 B2 11/2008 Kraushaar  
D636,819 S \* 4/2011 Walker ..... D20/28  
D657,425 S \* 4/2012 Podd ..... D20/42  
D660,367 S \* 5/2012 Podd ..... D20/42  
D665,030 S \* 8/2012 Podd ..... D20/42  
D785,710 S \* 5/2017 Lin ..... D20/27  
D785,711 S \* 5/2017 Lin ..... D20/27  
D791,242 S \* 7/2017 Lemberger ..... D20/41  
D791,878 S \* 7/2017 Loew ..... D20/41

(Continued)

(\*\*) Term: **15 Years**

*Primary Examiner* — Nathan M Johnston

(21) Appl. No.: **29/670,860**

(74) *Attorney, Agent, or Firm* — Joseph Agostino;  
Greenberg Traurig, LLP

(22) Filed: **Nov. 20, 2018**

(51) **LOC (12) Cl.** ..... **24-01**

(52) **U.S. Cl.**  
USPC ..... **D24/127; D20/28**

(57) **CLAIM**

The ornamental design for an intravenous tubing indicator for an antihypertensive medication, as shown and described.

(58) **Field of Classification Search**

**DESCRIPTION**

USPC ..... D24/127–131, 112–114, 133, 186;  
606/181, 185; 604/264, 523–528, 272,  
604/187, 158, 164.01–164.11, 181, 184,  
604/227; 600/101, 139, 143;  
128/200.24, 207.14, 207.15; D8/396,  
D8/356; D6/300, 674; D12/193;  
D14/489, 490, 492, 495; D20/1–44, 99  
CPC ..... A61M 25/00; A61M 39/00; A61M 27/00;  
A61M 25/0043; A61M 5/0067; A61M  
25/0097; A61M 5/14; A61M 5/1411;  
A61M 2205/60; A61M 2205/6063; A61M  
2205/6072; A61M 2205/6081; A61F  
2/958; A62C 13/78; A47K 10/14; A47G  
25/0657

FIG. 1 is a top perspective view of an intravenous tubing indicator for an antihypertensive medication showing our new design;

FIG. 2 is a front elevation view thereof;

FIG. 3 is a rear elevation view thereof;

FIG. 4 is a right side elevation view thereof;

FIG. 5 is a left side elevation view thereof;

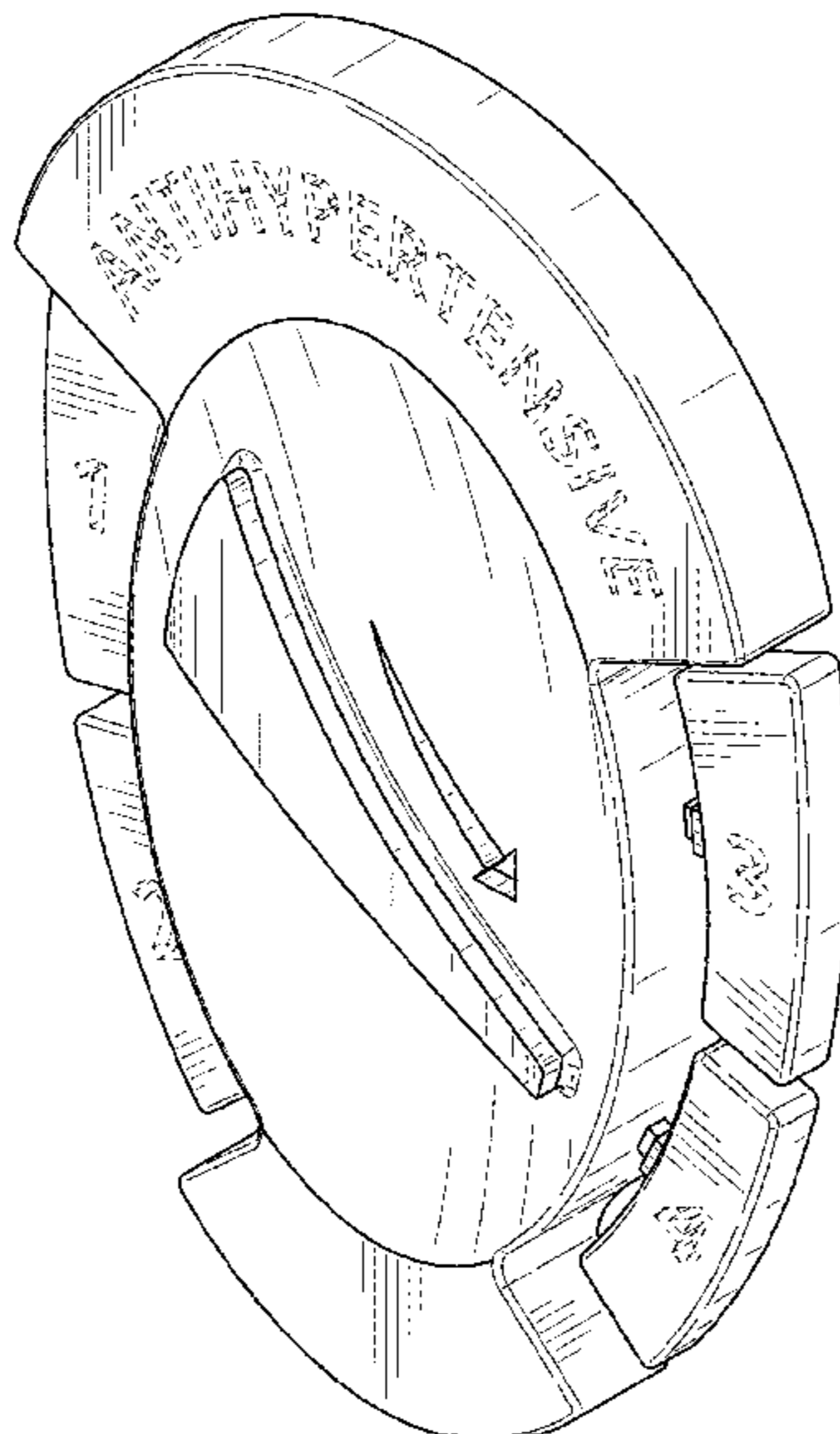
FIG. 6 is top plan view thereof; and,

FIG. 7 is a bottom plan view thereof.

The dashed lines immediately adjacent the shaded areas in the figures represent the boundaries of the claimed design. The dashed lines in the figures illustrate the portions of the design that form no part of the claimed design. None of the broken lines form any part of the claimed design.

See application file for complete search history.

**1 Claim, 5 Drawing Sheets**



(56)

**References Cited**

U.S. PATENT DOCUMENTS

D803,943	S	*	11/2017	Loew	.....	D20/41
9,833,560	B2		12/2017	Reichert et al.		
9,919,095	B2		3/2018	Reichert et al.		
9,925,329	B2		3/2018	Reichert et al.		
D842,382	S	*	3/2019	Loew	.....	D20/41
2002/0058928	A1		5/2002	Antonio, II		
2005/0171492	A1		8/2005	Rodriquez		

\* cited by examiner

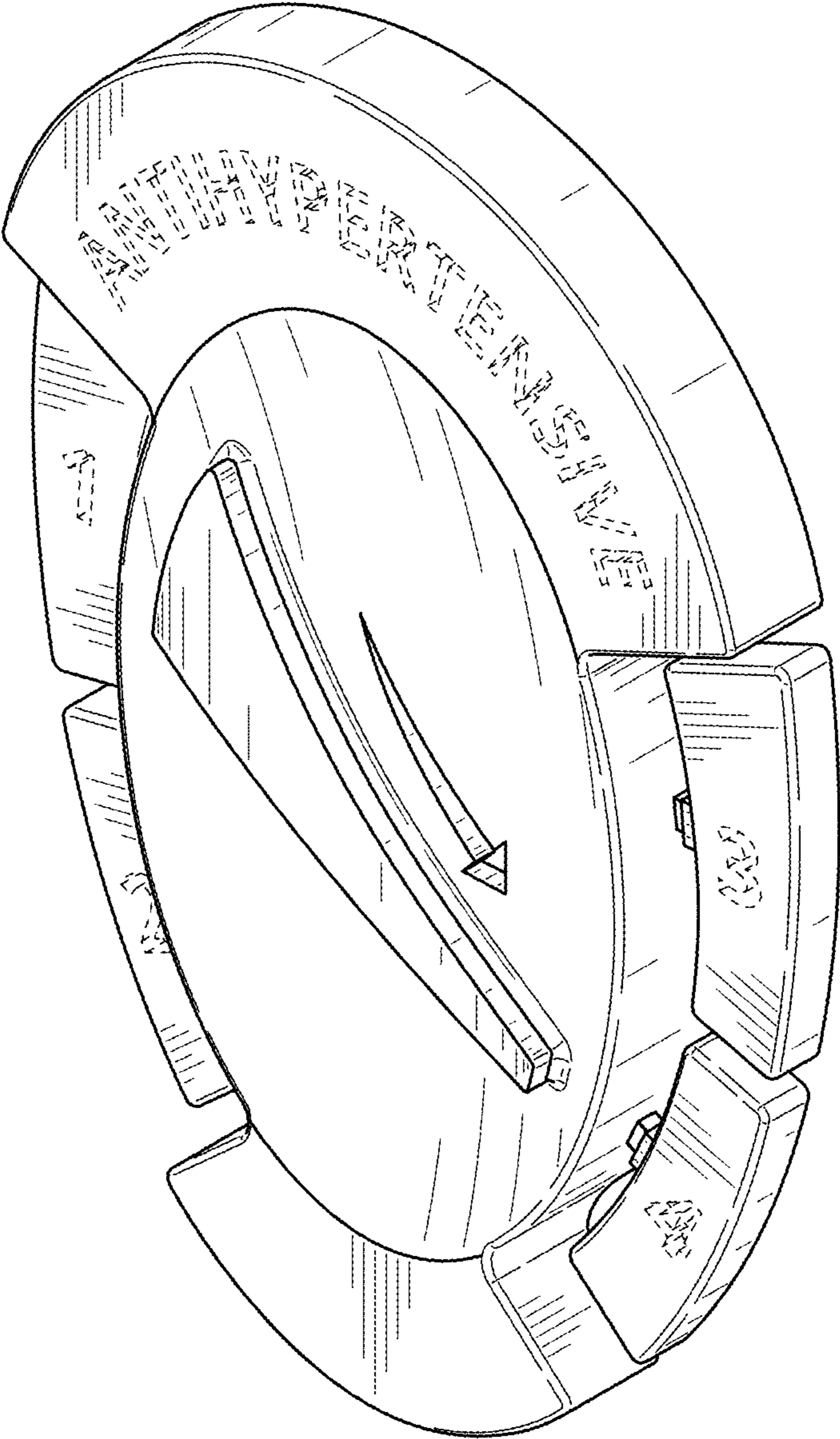


FIG. 1

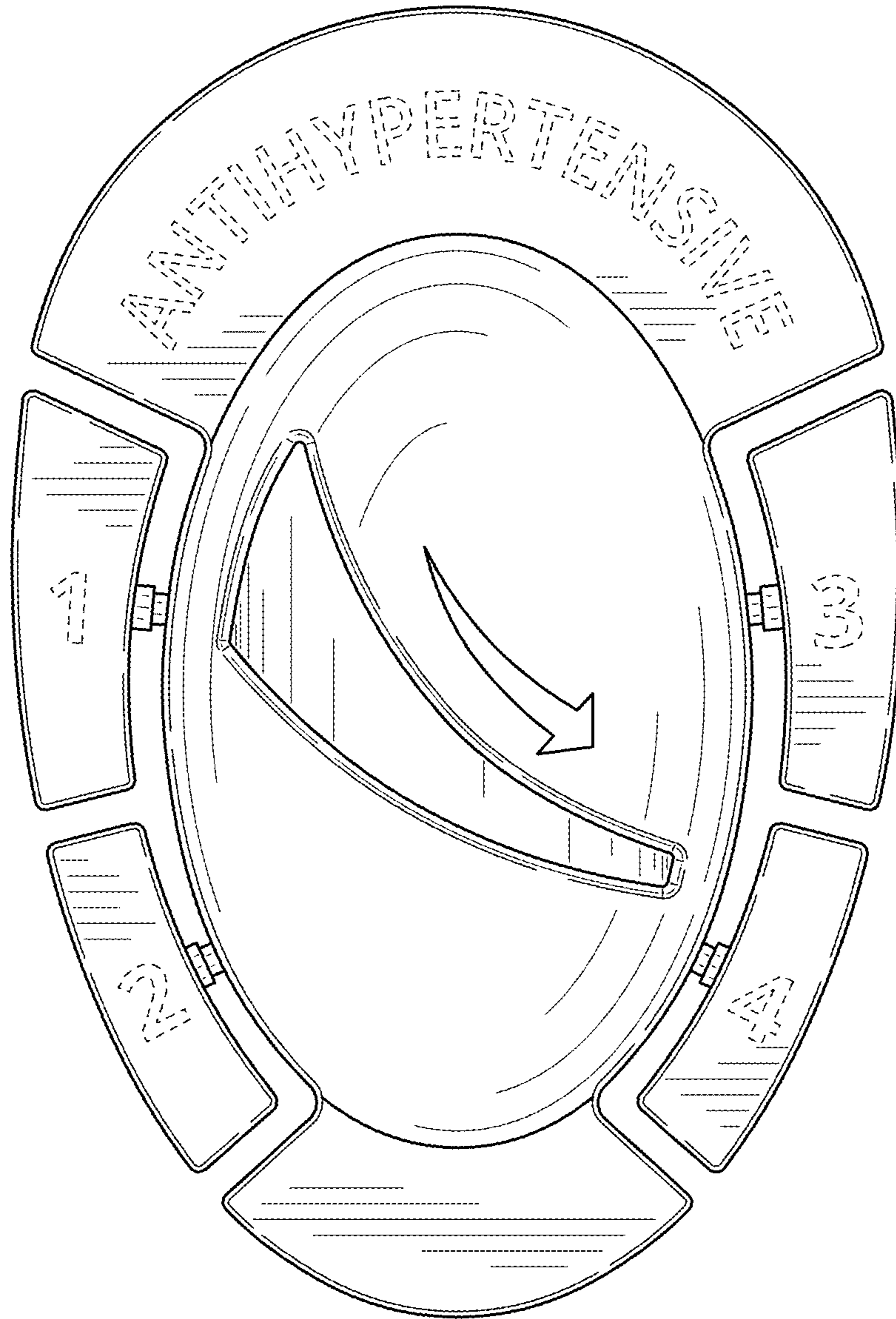


FIG. 2

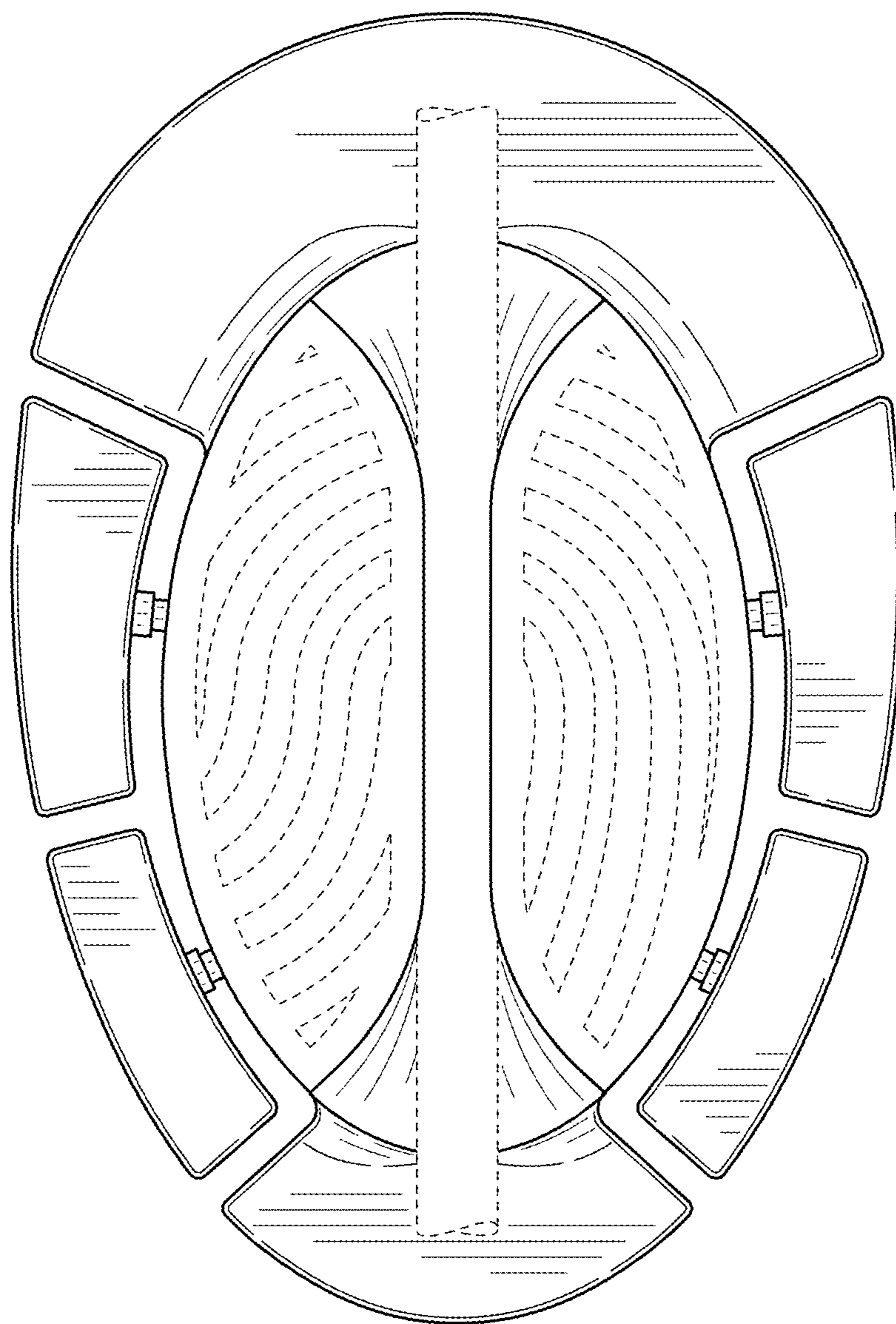


FIG. 3

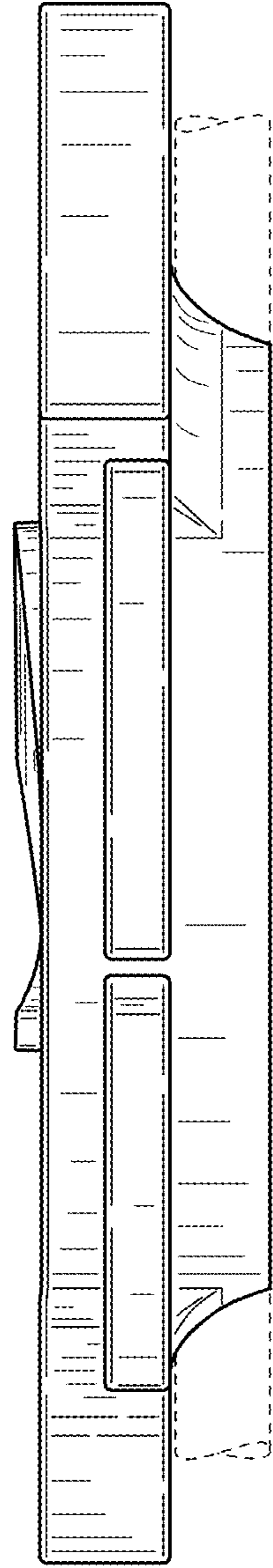


FIG. 4

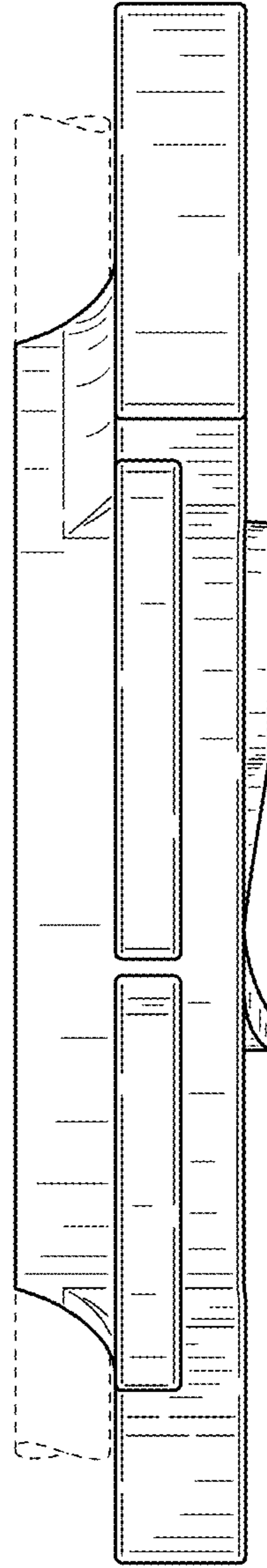


FIG. 5

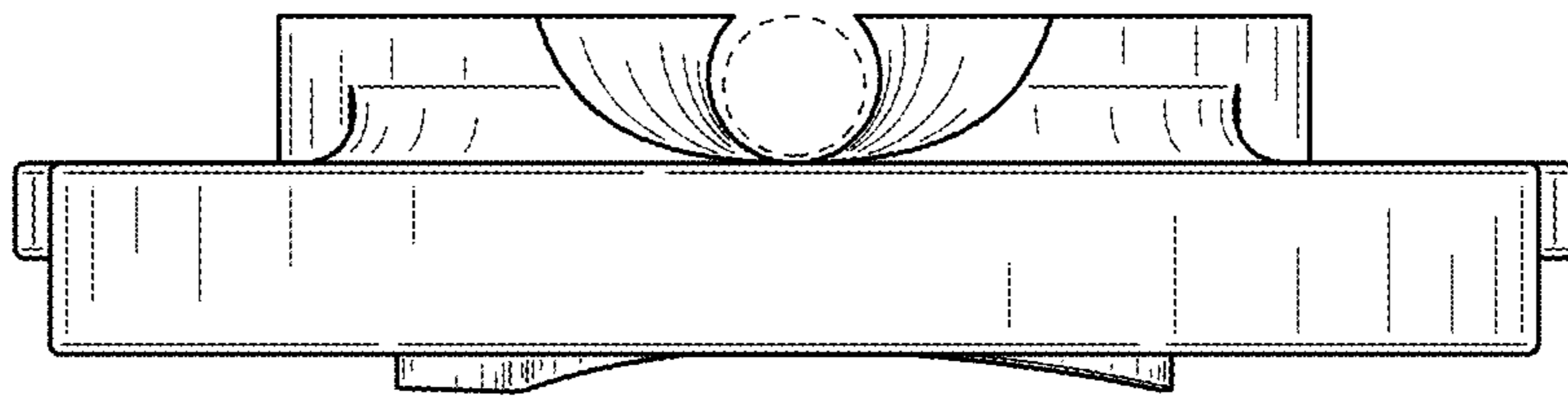


FIG. 6

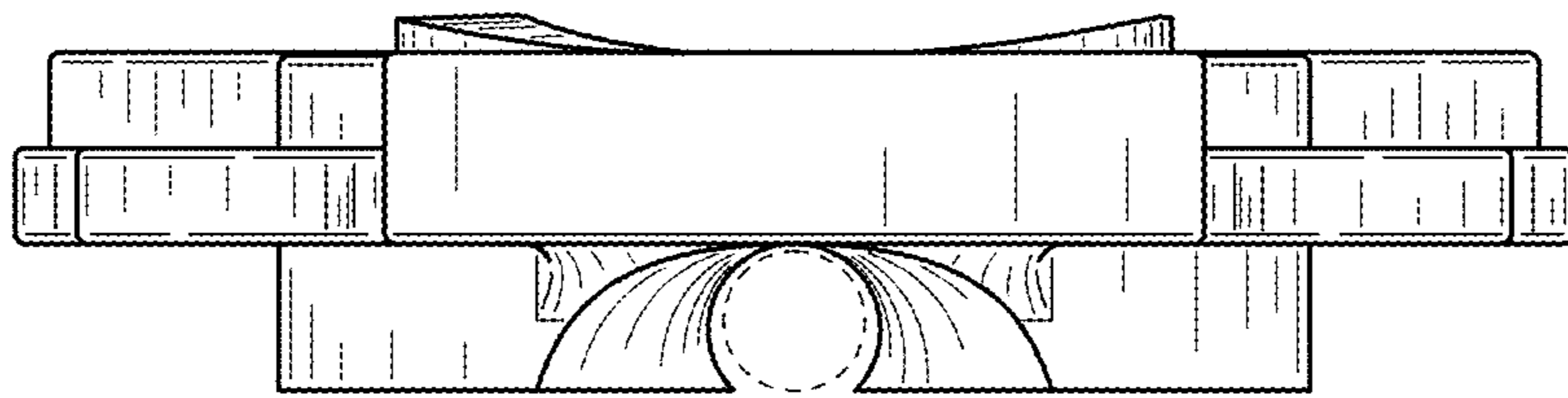


FIG. 7