



US00D885563S

(12) **United States Design Patent** (10) **Patent No.:** **US D885,563 S**  
**Cook** (45) **Date of Patent:** **\*\* May 26, 2020**

(54) **ENEMA BUCKET**  
(71) Applicant: **The Cook Holdings Trust**, Emerald (AU)  
(72) Inventor: **Brian Allen Cook**, Emerald (AU)  
(73) Assignee: **The Cook Holding Trust**, Emerald (AU)  
(\*\*) Term: **15 Years**  
(21) Appl. No.: **29/686,258**  
(22) Filed: **Apr. 3, 2019**  
(51) **LOC (12) Cl.** ..... **24-04**  
(52) **U.S. Cl.**  
USPC ..... **D24/123**  
(58) **Field of Classification Search**  
USPC ..... D24/121–123, 117, 224; D23/276, 295, D23/302, 274, 309, 200; 4/450–460, 4/144.1–144.4, DIG. 5; 600/573, 574; 604/317, 318, 334, 329  
CPC ..... A61G 9/00; A61G 9/006; A61G 9/003  
See application file for complete search history.

D367,580 S \* 3/1996 Joergensen ..... D7/317  
D368,830 S \* 4/1996 Lu ..... D7/533  
D370,832 S \* 6/1996 Sorensen ..... D7/589  
D371,049 S \* 6/1996 Cuthbertson ..... D7/533  
D373,291 S \* 9/1996 Auken ..... D7/667  
5,683,007 A \* 11/1997 Scholfield ..... A47G 19/22  
220/755  
5,806,709 A \* 9/1998 Marshall, II ..... B44D 3/14  
220/755  
D424,719 S \* 5/2000 Freeman ..... D26/20  
D530,613 S \* 10/2006 Farrow ..... D9/502  
D635,849 S \* 4/2011 Noer ..... D9/417  
D688,579 S \* 8/2013 Marshall ..... D10/46.2  
D734,866 S \* 7/2015 Maier ..... D24/224  
D751,693 S \* 3/2016 Geary ..... D24/121  
D788,316 S \* 5/2017 Kremerman ..... D24/224  
D802,449 S \* 11/2017 Kim ..... D10/46.2  
2016/0199041 A1 \* 7/2016 Phillips ..... A61B 10/007  
600/574

\* cited by examiner

*Primary Examiner* — Nathan M Johnston  
(74) *Attorney, Agent, or Firm* — Eric Karich; Karich & Associates

(57) **CLAIM**

The ornamental design for an enema bucket, as shown and described.

**DESCRIPTION**

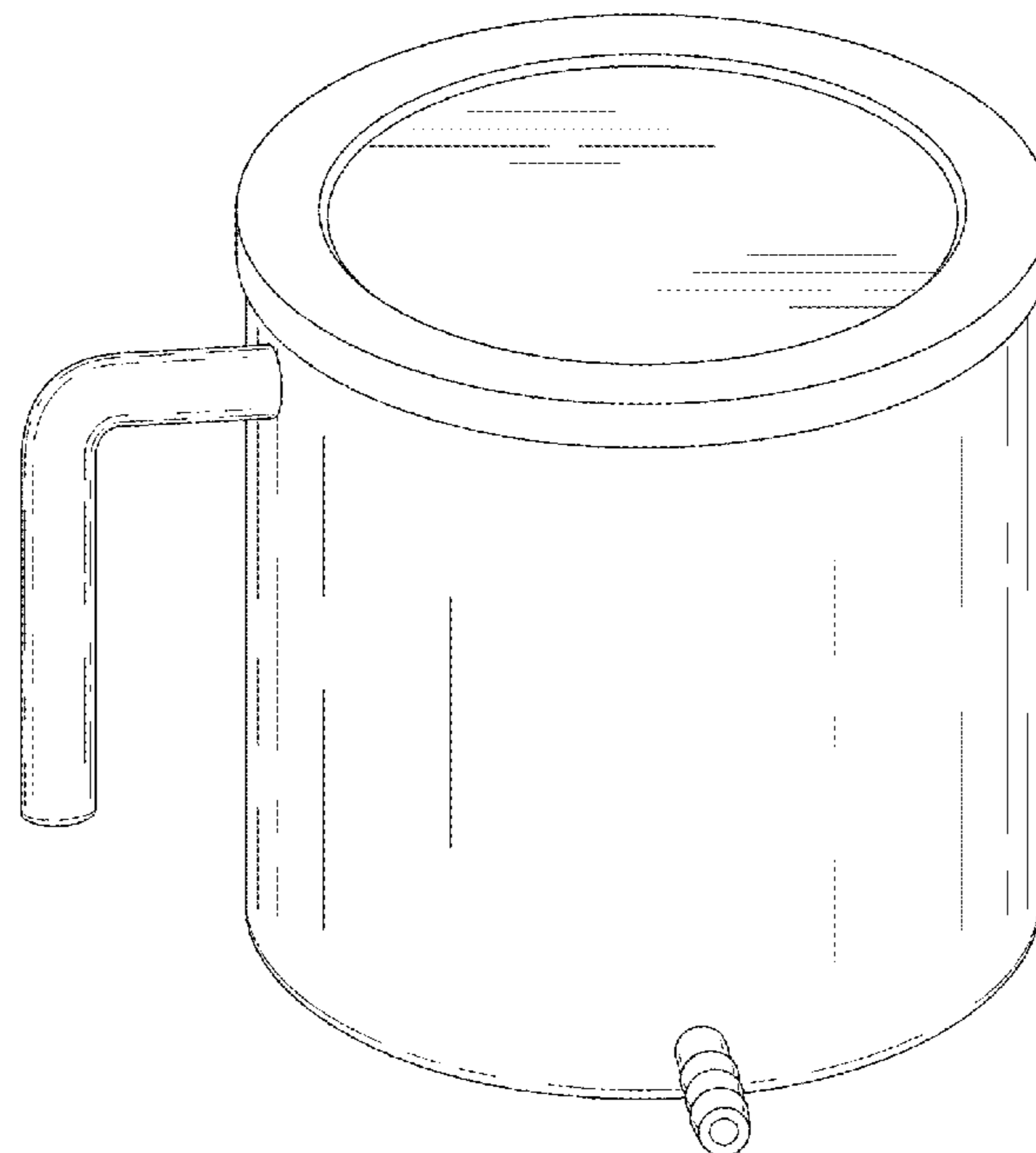
FIG. 1 is a perspective view of an enema bucket, showing my new design;  
FIG. 2 is a front elevational view thereof;  
FIG. 3 is a rear elevational view thereof;  
FIG. 4 is a left side elevational view thereof  
FIG. 5 is a right side elevational view thereof;  
FIG. 6 is a top plan view thereof; and,  
FIG. 7 is a bottom plan view thereof.

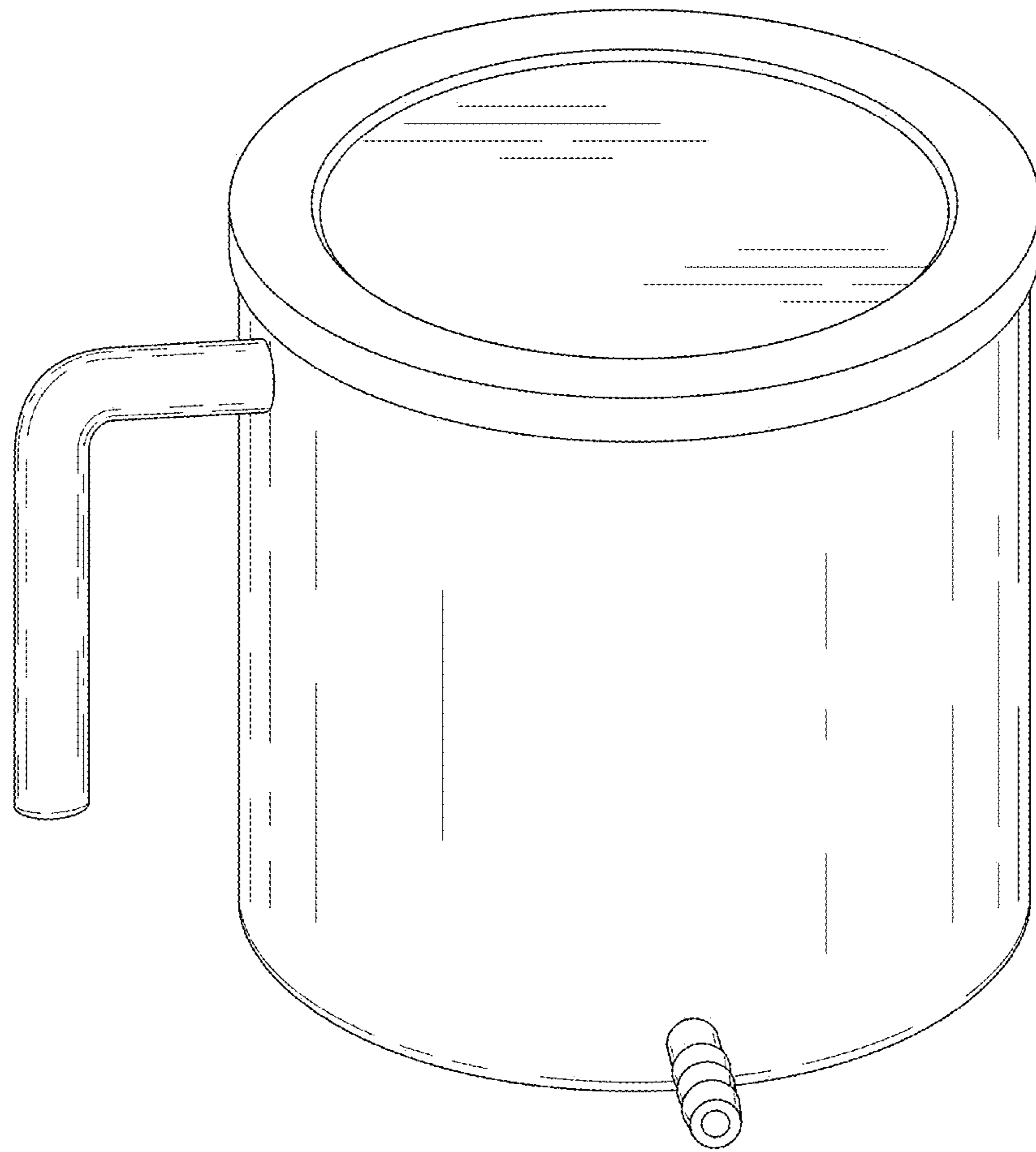
**1 Claim, 4 Drawing Sheets**

(56) **References Cited**

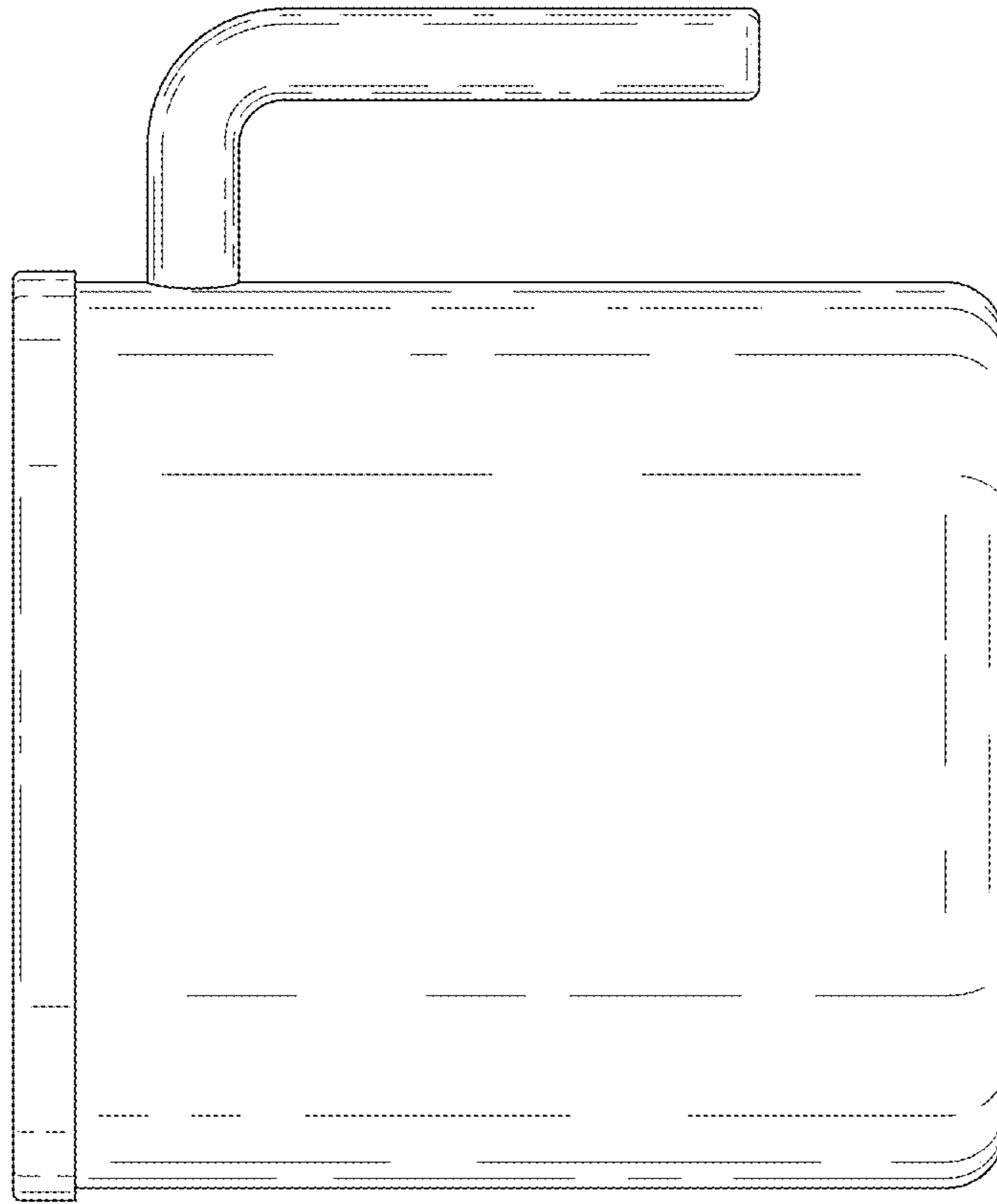
**U.S. PATENT DOCUMENTS**

D290,571 S \* 6/1987 Rowe ..... D7/622  
D330,484 S \* 10/1992 Ross ..... D7/511  
D346,092 S \* 4/1994 Van De Velde ..... D7/533  
D347,547 S \* 6/1994 Heinrich ..... D7/509  
D350,457 S \* 9/1994 Bailey ..... D7/509  
D355,329 S \* 2/1995 Ullmann ..... D7/312  
5,402,921 A \* 4/1995 Forsyth ..... B65D 47/265  
222/541.6  
D363,414 S \* 10/1995 Goto ..... D7/511  
D365,492 S \* 12/1995 Rorke ..... D7/317  
D366,186 S \* 1/1996 Kato ..... D7/511

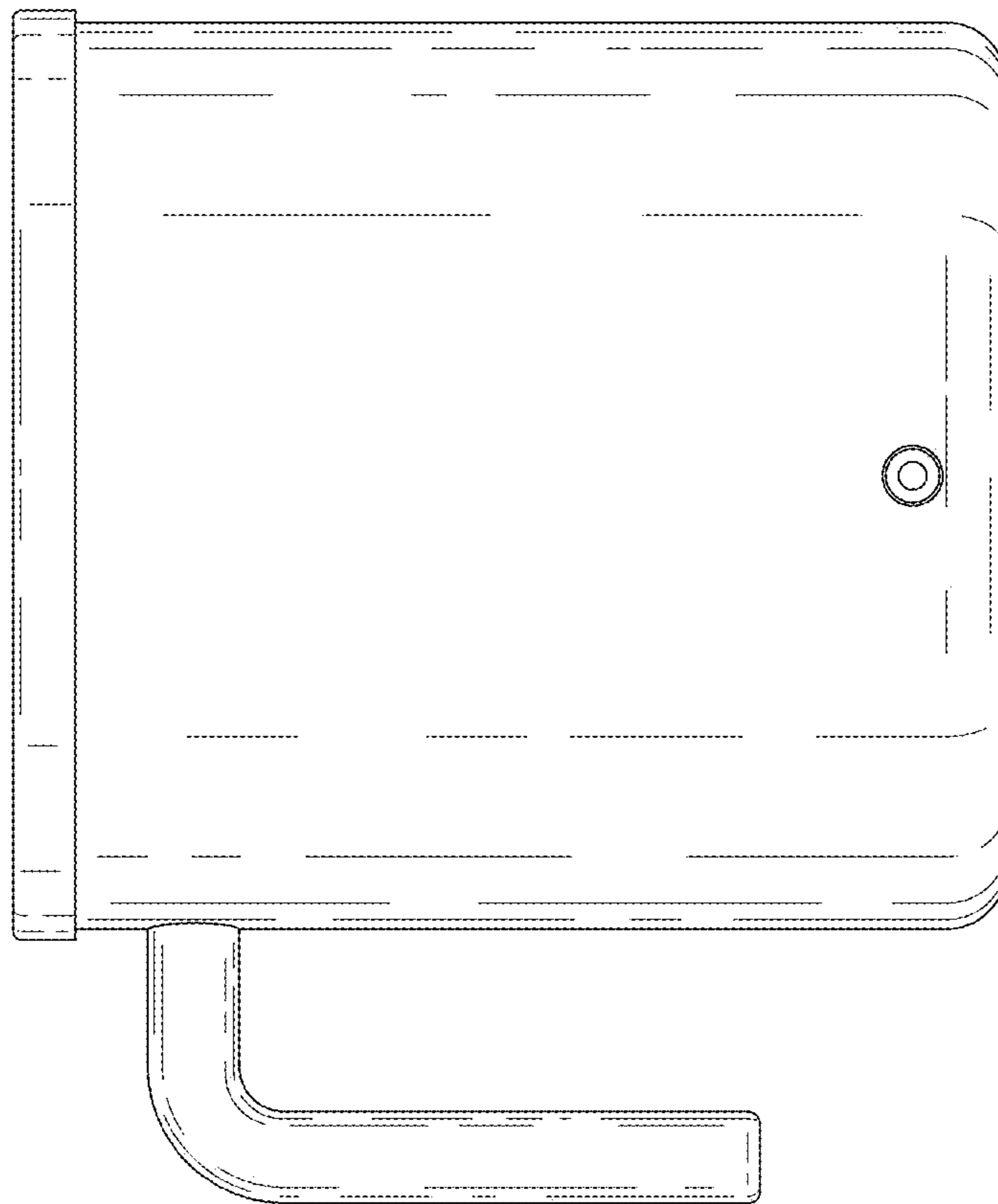




*Fig. 1*



*Fig. 3*



*Fig. 2*

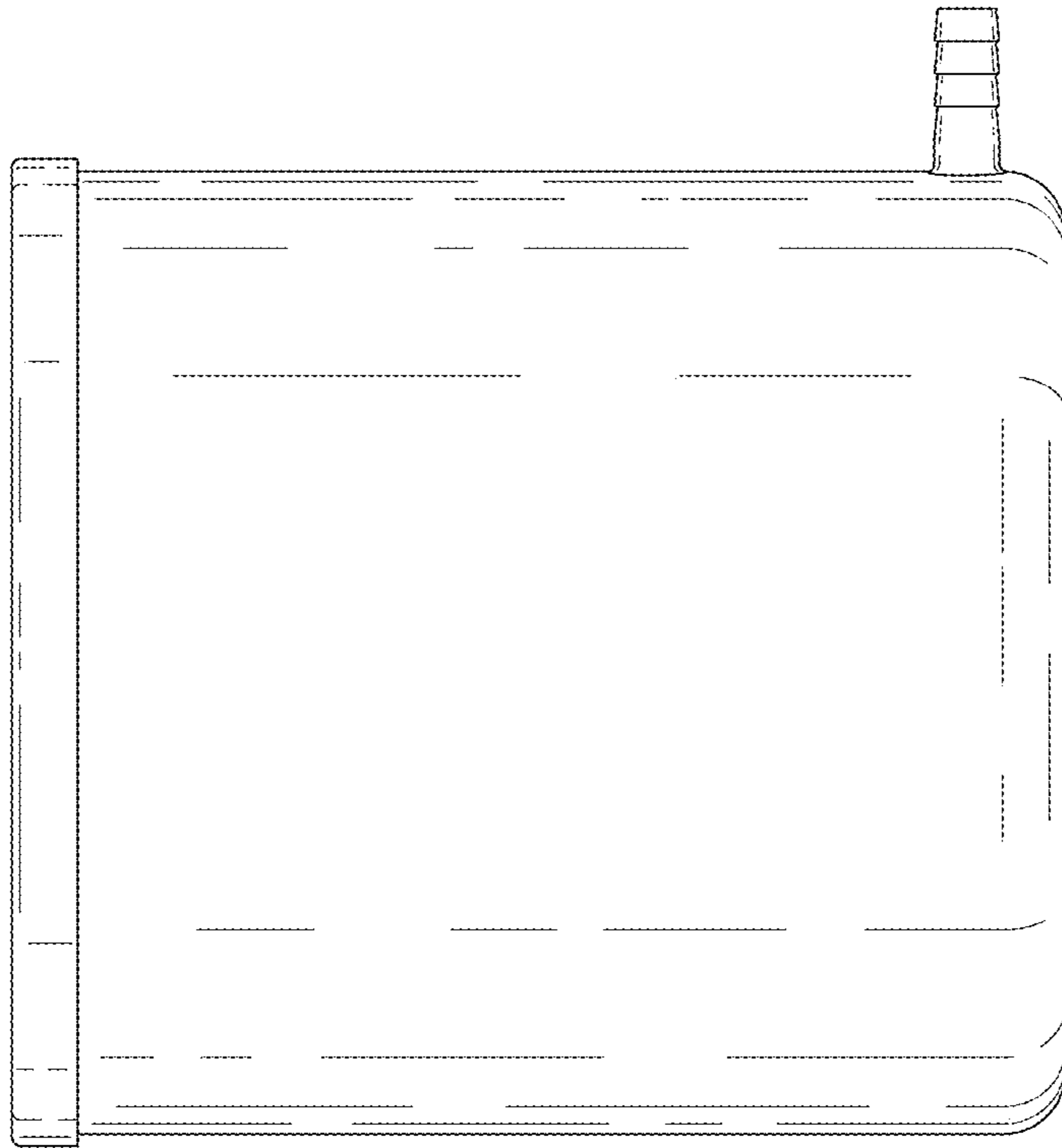


Fig. 5

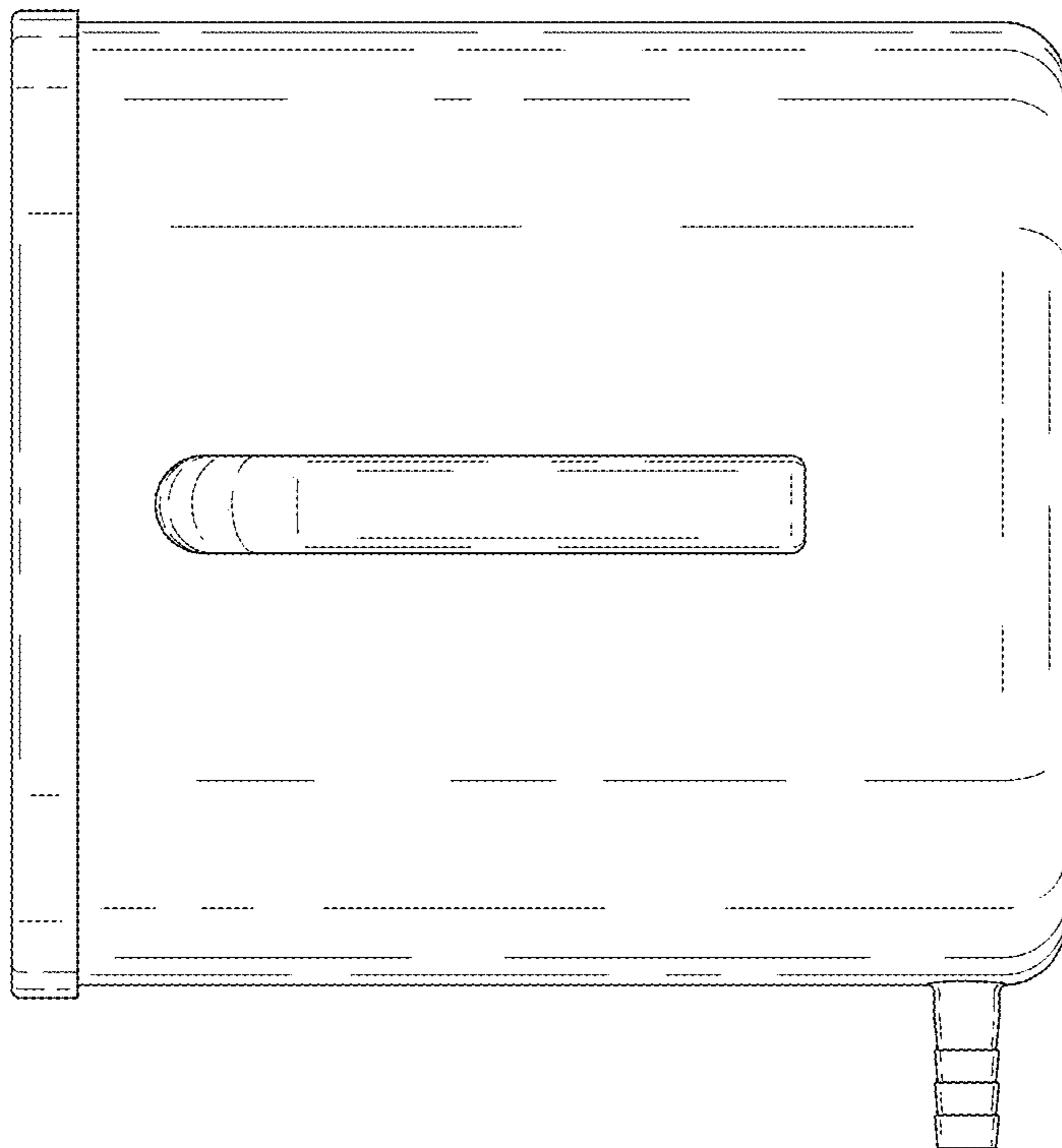
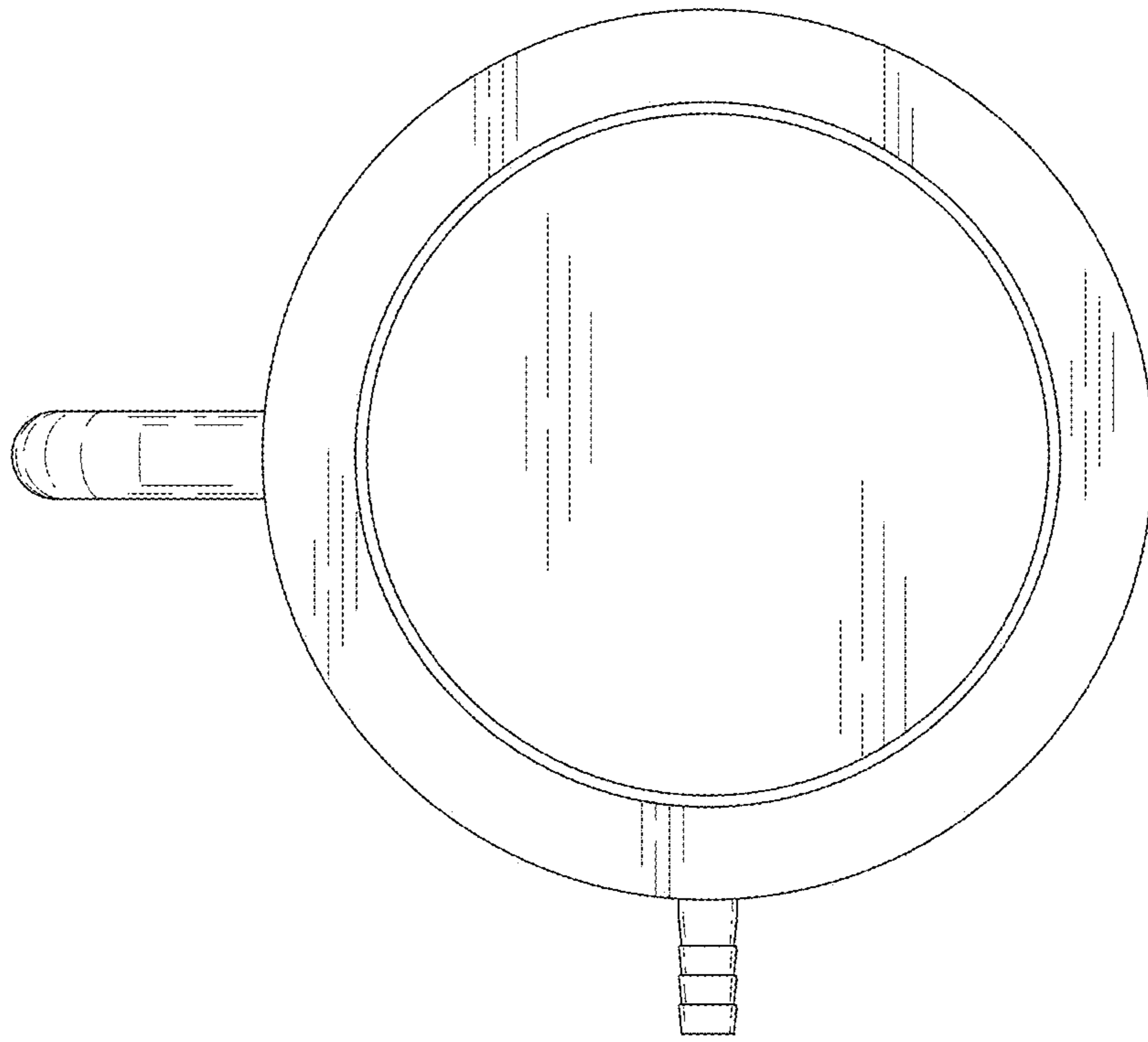
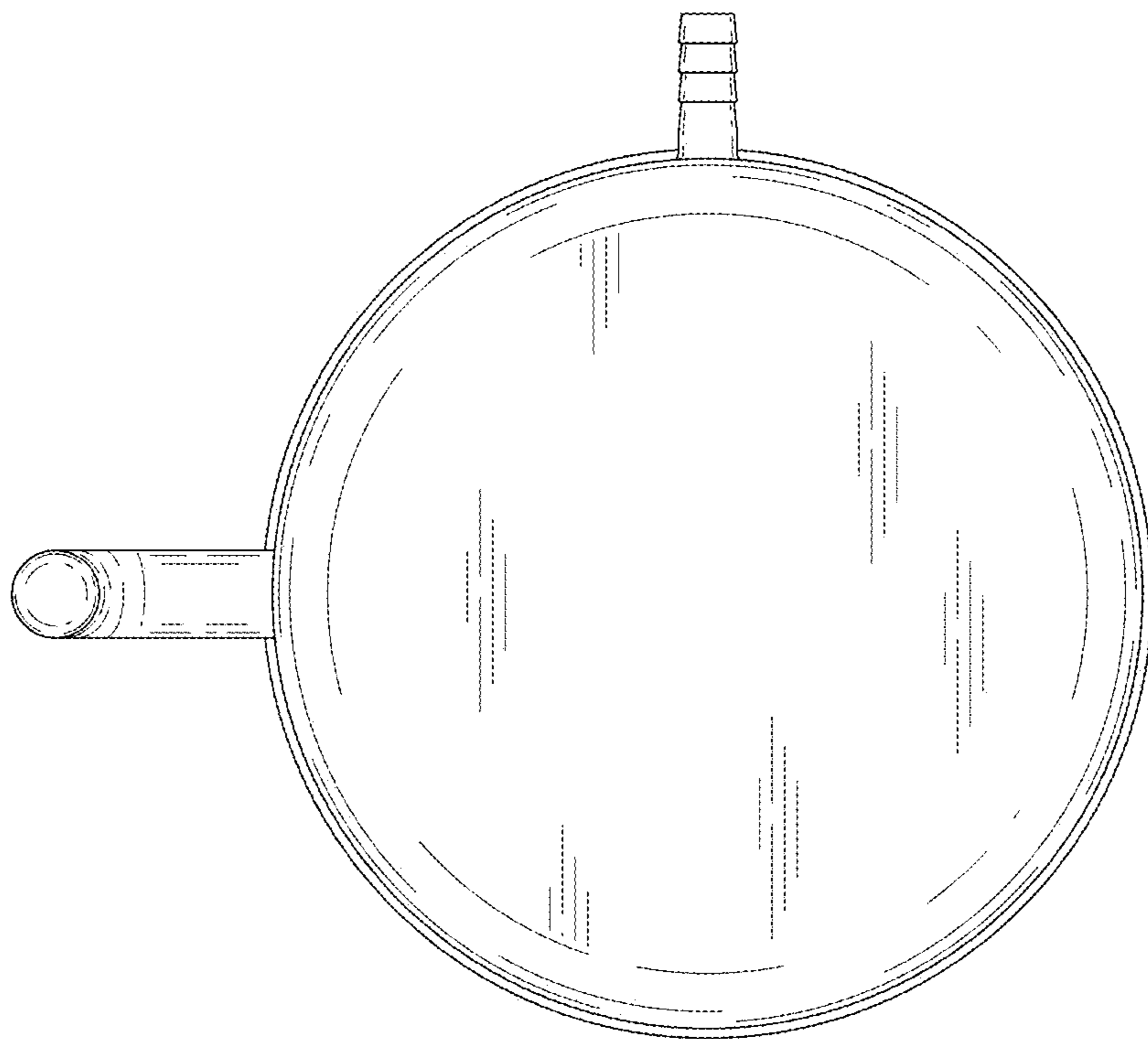


Fig. 4



*Fig. 6*



*Fig. 7*