



US00D885562S

(12) **United States Design Patent** (10) **Patent No.:** **US D885,562 S**
Sato (45) **Date of Patent:** **** May 26, 2020**

(54) **TREATMENT TOOL FOR MEDICAL CARE**

D771,249 S * 11/2016 Heath D24/133
9,664,486 B2 * 5/2017 Scott F42B 7/08
D812,746 S * 3/2018 Umemura D24/133

(71) Applicant: **FUJIFILM Corporation**, Tokyo (JP)

(72) Inventor: **Jun Sato**, Ashigarakami-gun (JP)

(73) Assignee: **FUJIFILM Corporation**, Minato-Ku,
Tokyo (JP)

(**) Term: **15 Years**

FOREIGN PATENT DOCUMENTS

JP D1374757 S 11/2009
JP D1382351 S 3/2010
JP D1396766 S 9/2010
JP D1501856 S 7/2014
JP D1513809 S 12/2014

(21) Appl. No.: **29/677,283**

OTHER PUBLICATIONS

(22) Filed: **Jan. 18, 2019**

Communication dated Feb. 1, 2019 from Japanese Patent Office in counterpart JP Application No. 2018-016028.

(30) **Foreign Application Priority Data**

* cited by examiner

Jul. 23, 2018 (JP) 2018-016028

Primary Examiner — David G Muller

(51) **LOC (12) Cl.** **24-02**

(74) *Attorney, Agent, or Firm* — Sughrue Mion, PLLC

(52) **U.S. Cl.**
USPC **D24/114**

(57) **CLAIM**

(58) **Field of Classification Search**
USPC D24/112–114, 108, 133, 130, 127, 186;
606/181, 185; 604/264, 272, 187, 181,
604/184, 227

The ornamental design for a treatment tool for medical care, as shown and described.

CPC A61M 5/178; A61M 3/00; A61M 5/20;
A61M 5/31; A61M 5/3146; A61M
5/3129; A61M 5/3148

DESCRIPTION

See application file for complete search history.

FIG. 1 is a perspective view of a treatment tool for medical care.

(56) **References Cited**

U.S. PATENT DOCUMENTS

D467,340 S * 12/2002 Mayer D24/133
D536,786 S * 2/2007 Schreiner D24/112
D586,912 S * 2/2009 Py D24/112
D587,803 S * 3/2009 Di Sessa D24/133
D626,648 S * 11/2010 Ahlgren D24/130
D653,337 S * 1/2012 Kampa D24/130
D669,579 S * 10/2012 Marshall D24/130
D677,379 S * 3/2013 Orsing D24/108
D698,918 S * 2/2014 Leiner D24/114
D717,430 S * 11/2014 Shiraiishi D24/130

FIG. 2 is a front view thereof;
FIG. 3 is a rear view thereof;
FIG. 4 is a top plan view thereof
FIG. 5 is a bottom plan view thereof;
FIG. 6 is a right side view thereof;
FIG. 7 is a left side view thereof; and,
FIG. 8 is a front view showing condition in which a slider is moved to distal end side thereof.

A portion for putting fingers thereon is rotatable around axis of main body.

The broken lines depict portions of the treatment tool for medical care in which the design is embodied that form no part of the claimed design.

1 Claim, 7 Drawing Sheets

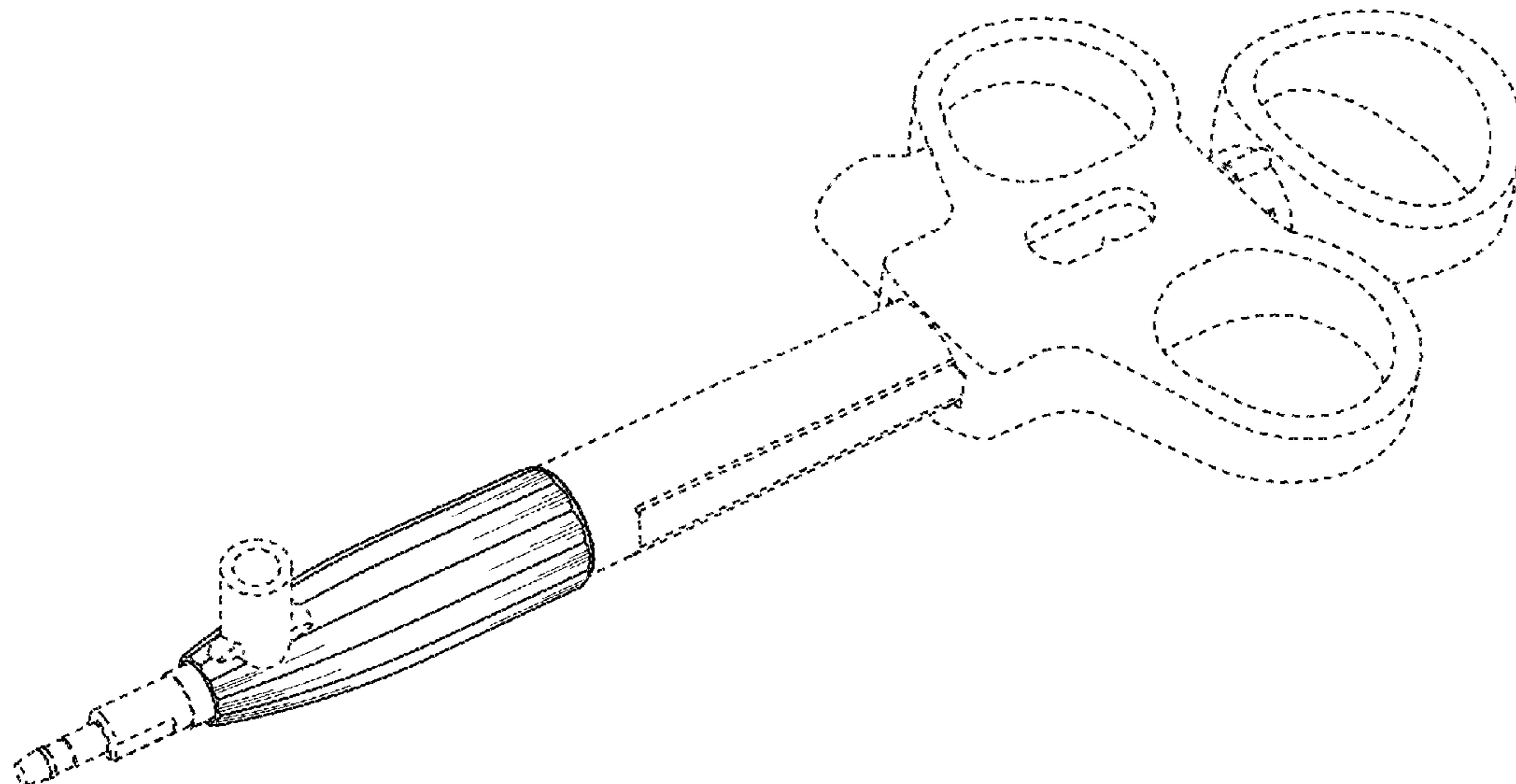


FIG. 1

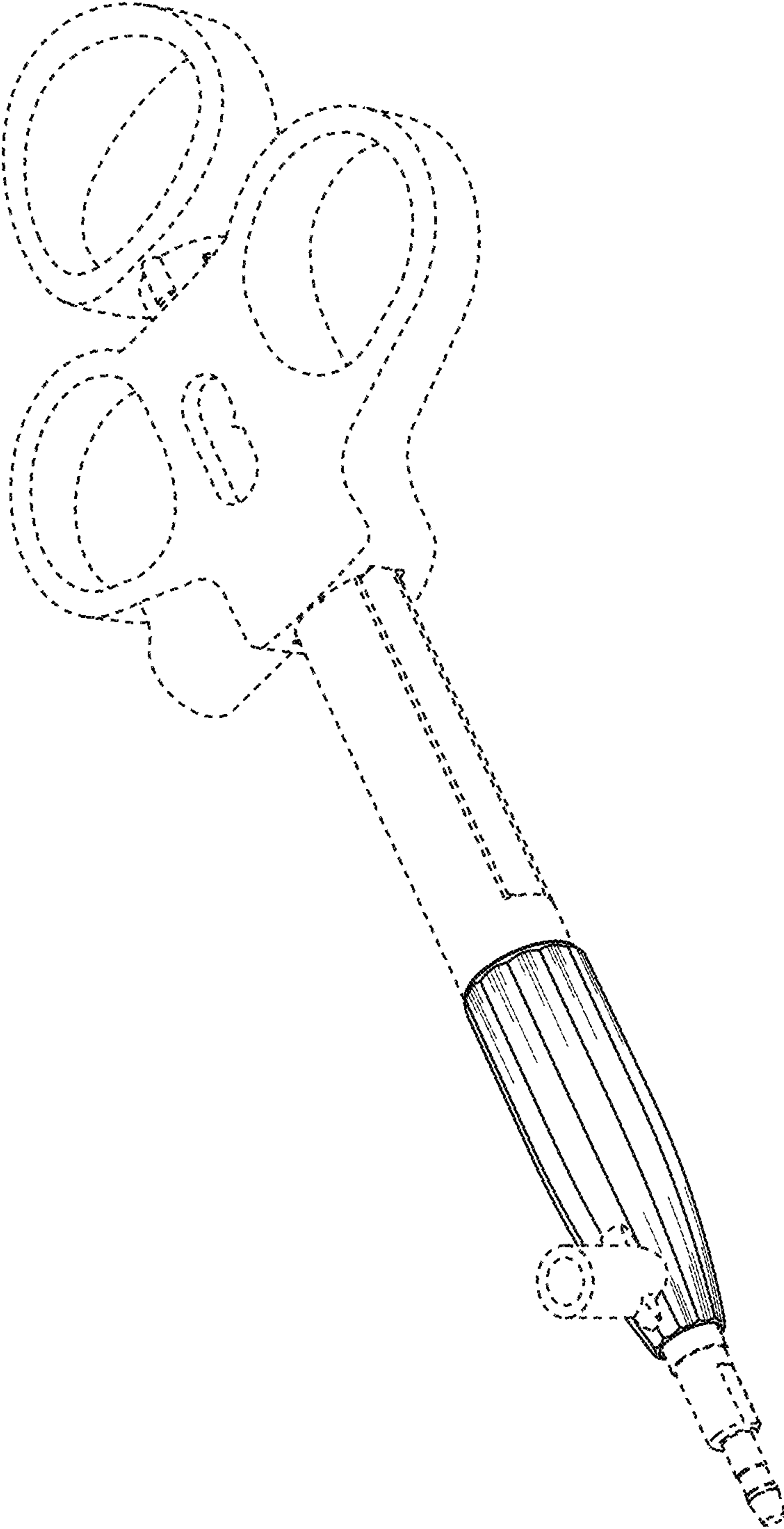


FIG. 2

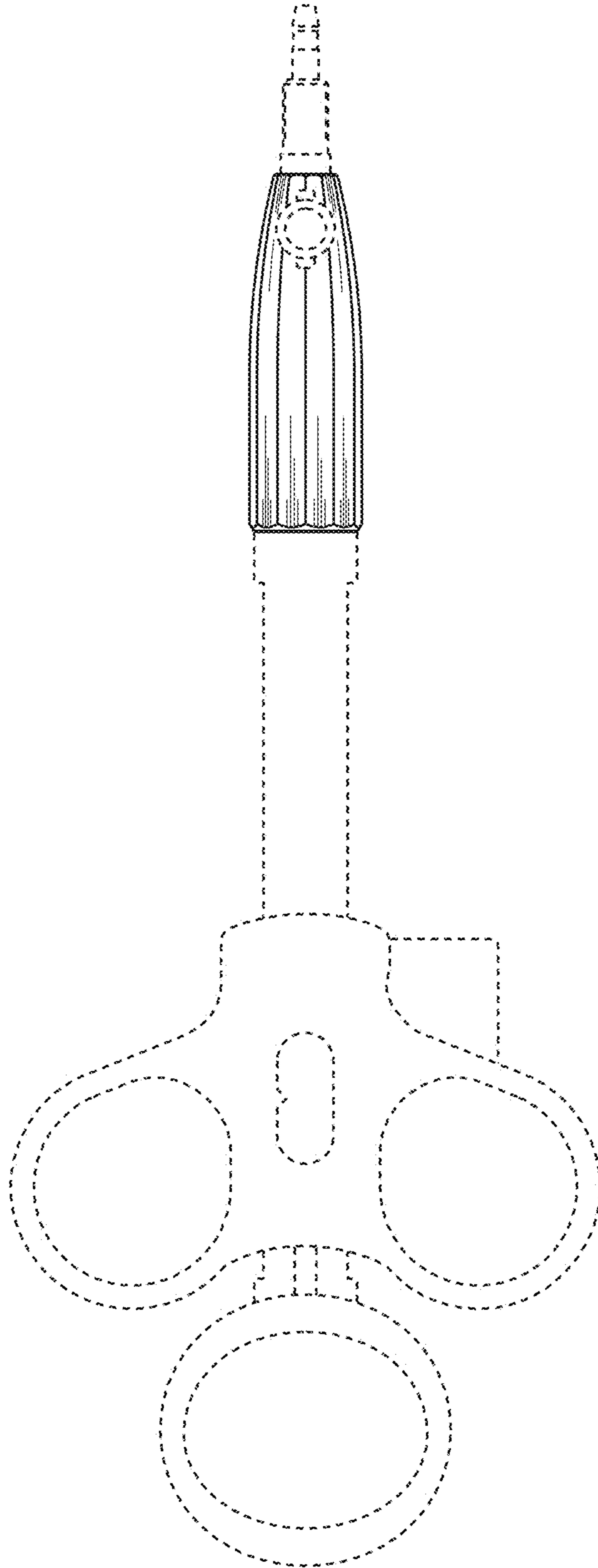


FIG. 3

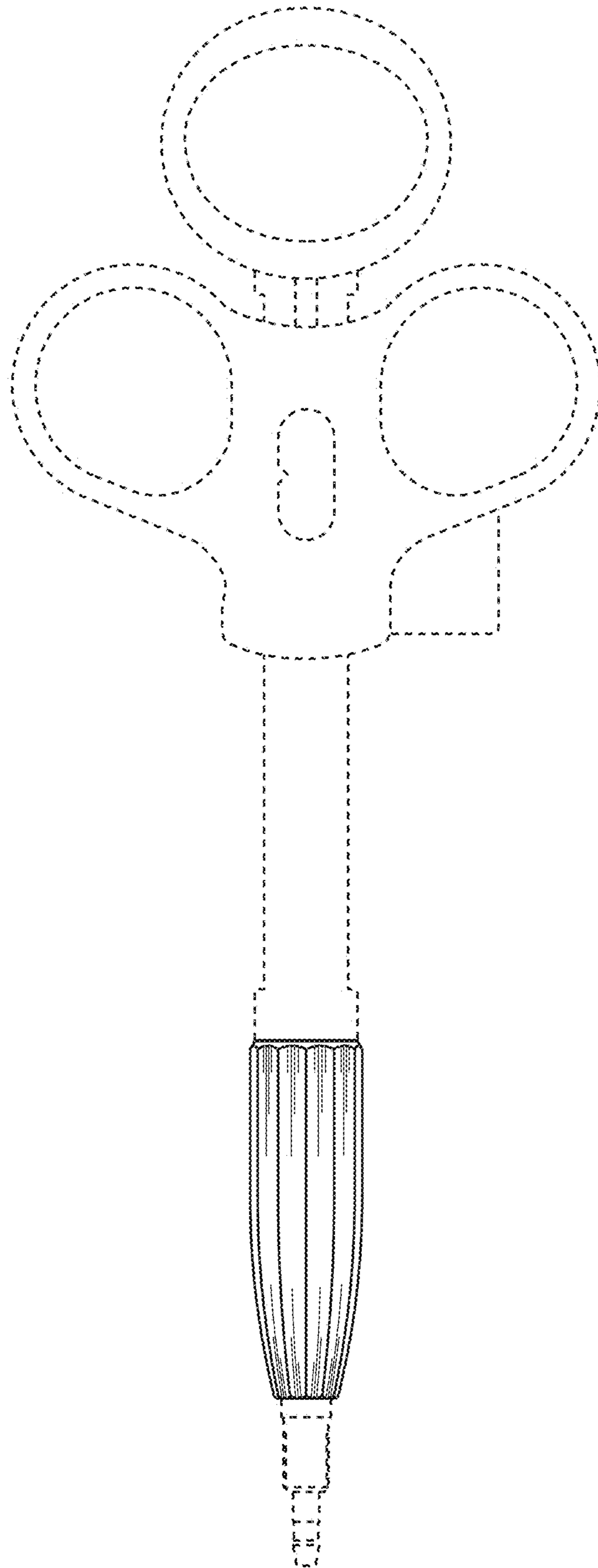


FIG. 4

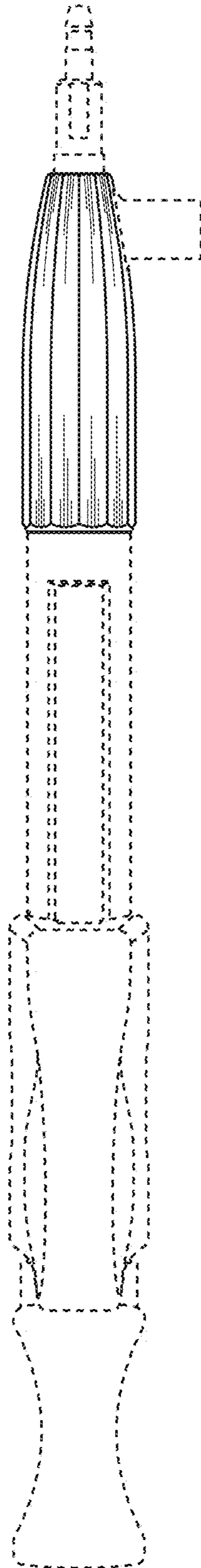


FIG. 5

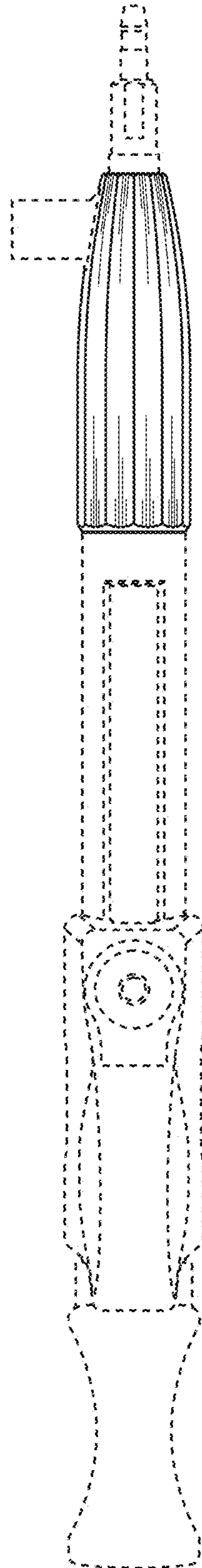


FIG. 6

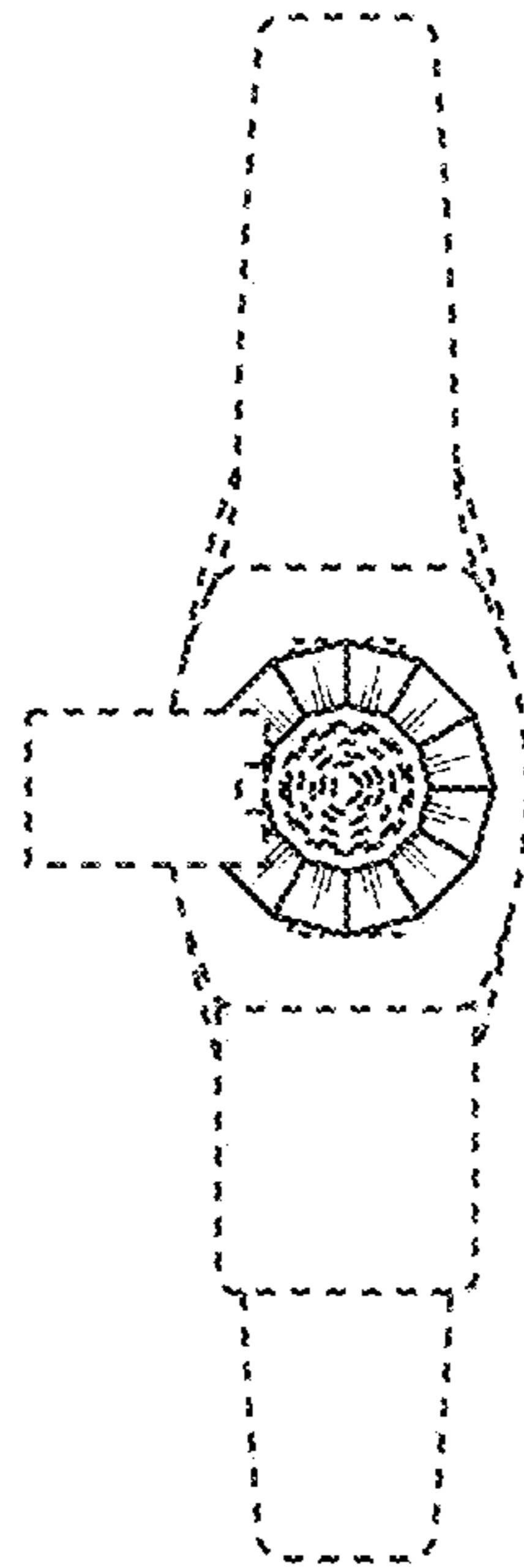


FIG. 7

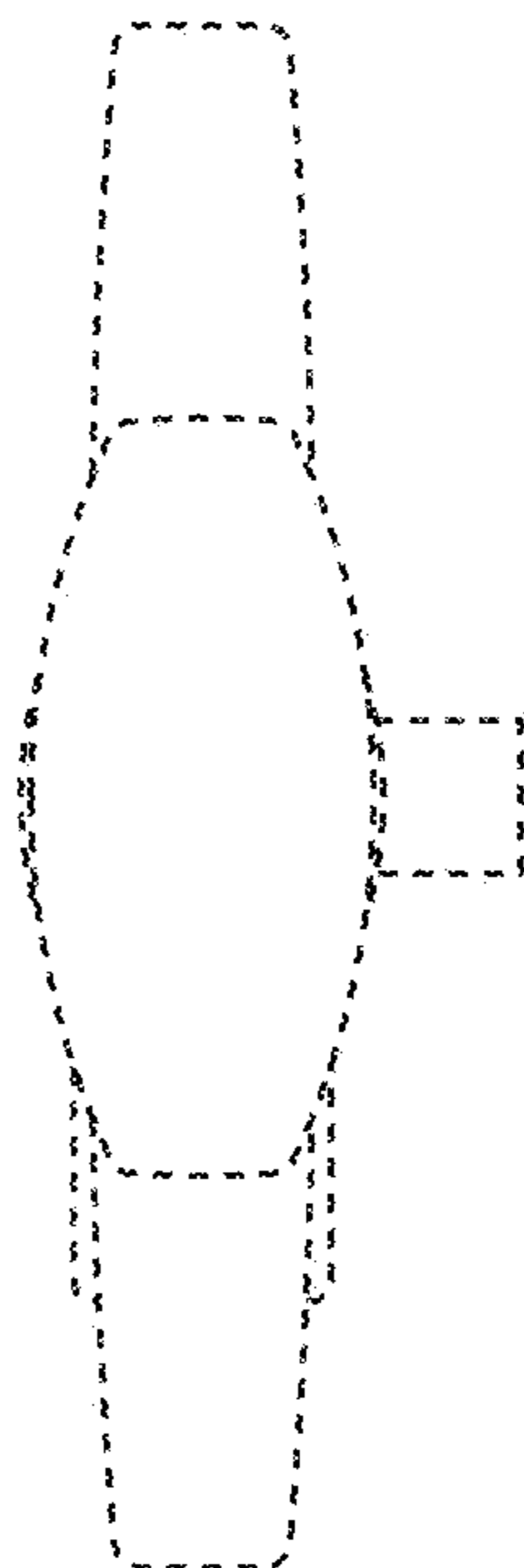


FIG. 8

