



US00D885558S

(12) **United States Design Patent** (10) **Patent No.:** **US D885,558 S**
Shantha et al. (45) **Date of Patent:** **** May 26, 2020**

(54) **ORAL AIRWAY DEVICE**

FOREIGN PATENT DOCUMENTS

(71) Applicant: **Wedge Therapeutics, LLC**, Saint Paul, MN (US)

WO WO 2017/006117 A1 1/2017
WO WO 2018/200063 A1 1/2018

(72) Inventors: **Totada R. Shantha**, Stone Mountain, GA (US); **Robert Wieden**, Saint Paul, MN (US)

OTHER PUBLICATIONS

(73) Assignee: **Wedge Therapeutics LLC**, St. Paul, MN (US)

[No Author Listed], "Practice Guidelines for Management of the Difficult Airway. An Updated Report by the American Society of Anesthesiologists Task Force on Management of the Difficult Airway," *Anesthesiology*, 98(5):1269-77 (May 2003).

(**) Term: **15 Years**

(Continued)

(21) Appl. No.: **29/671,417**

Primary Examiner — Lilyana Bekic

(22) Filed: **Nov. 27, 2018**

(74) *Attorney, Agent, or Firm* — Mark David Torche; Patwrite Law

(51) **LOC (12) Cl.** **29-02**

(52) **U.S. Cl.**
USPC **D24/110; D24/110.5**

(58) **Field of Classification Search**
USPC D24/108, 110, 110.5, 164, 112
CPC A61M 16/0493; A61M 16/0495; A61M 16/0488; A61M 16/04; A61B 1/267
See application file for complete search history.

(57) **CLAIM**

We claim the ornamental design for an oral airway device, as shown and described.

DESCRIPTION

FIG. 1 is a top perspective view of an oral airway device. FIG. 2 is a bottom perspective view of the oral airway device depicted in FIG. 1. FIG. 3 is a left side elevational view of the oral airway device depicted in FIG. 1. FIG. 4 is a right side elevational view of the oral airway device depicted in FIG. 1. FIG. 5 is a top plan view of the oral airway device depicted in FIG. 1. FIG. 6 is a bottom plan view of the oral airway device depicted in FIG. 1. FIG. 7 is a front elevational view of the oral airway device depicted in FIG. 1; and, FIG. 8 is a rear elevational view of the oral airway device depicted in FIG. 1. The broken lines in the drawings illustrate portions of the oral airway device that form no part of the claimed design.

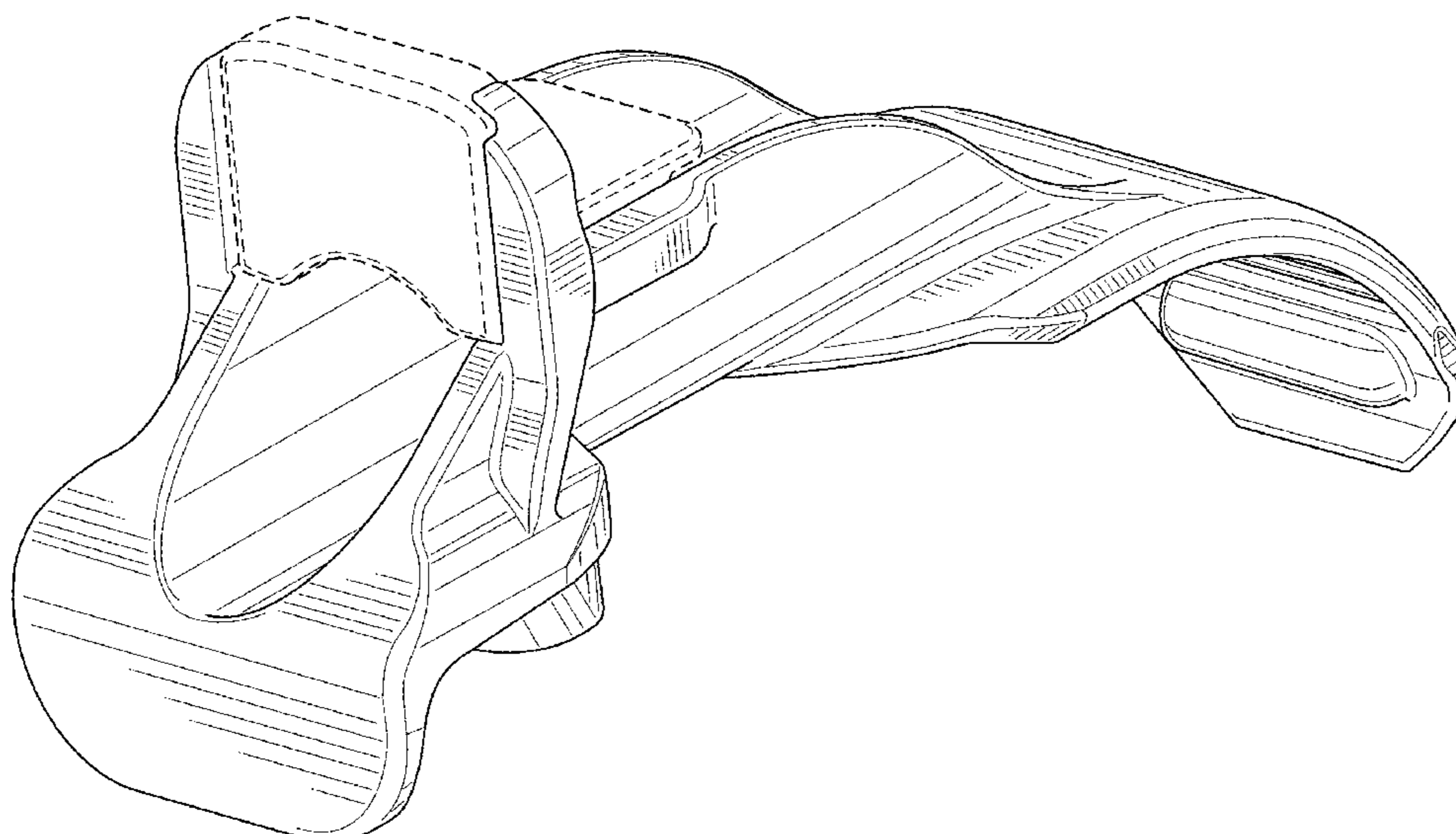
(56) **References Cited**

U.S. PATENT DOCUMENTS

2,127,215 A	8/1938	Gwathmey
2,599,521 A	6/1952	Berman
2,705,959 A	4/1955	Elmore
3,013,554 A	12/1961	Safar
3,057,347 A	10/1962	McGee
3,306,298 A	2/1967	Raimo
3,419,004 A	12/1968	Berman
3,543,751 A	12/1970	Sheffer
3,756,244 A	9/1973	Kinnear et al.
3,908,665 A	9/1975	Moses
3,930,507 A	1/1976	Berman
4,054,135 A	10/1977	Berman
4,067,331 A	1/1978	Berman
D261,442 S	10/1981	Anderson

(Continued)

1 Claim, 7 Drawing Sheets



(56)

References Cited

U.S. PATENT DOCUMENTS

4,338,930 A 7/1982 Williams
 4,363,320 A 12/1982 Kossove
 4,495,945 A 1/1985 Liegner
 D284,701 S 7/1986 Deenadayalu
 4,848,331 A 7/1989 Northway-Meyer
 4,919,126 A 4/1990 Baildon
 4,944,313 A 7/1990 Katz et al.
 5,024,218 A 6/1991 Ovassapian et al.
 D318,124 S 7/1991 Siemens
 5,174,284 A 12/1992 Jackson
 5,413,095 A 5/1995 Weaver
 5,590,643 A * 1/1997 Flam A61M 16/0488
 128/200.26
 7,171,962 B1 2/2007 Bloem
 7,278,420 B2 10/2007 Ganesh et al.
 7,866,313 B2 1/2011 Isenberg
 7,913,687 B2 3/2011 Munn
 8,413,658 B2 4/2013 Williams
 8,485,194 B2 7/2013 Guerra et al.
 D695,390 S 12/2013 Bruggeman
 8,640,692 B2 2/2014 Matic
 D701,962 S 4/2014 Chung
 9,072,613 B2 7/2015 Shantha
 9,254,219 B2 2/2016 Shantha
 9,669,174 B2 6/2017 Isenberg et al.
 D847,350 S * 4/2019 Eaton D24/181
 D849,233 S 5/2019 Shantha
 D849,234 S 5/2019 Shantha
 10,413,689 B2 * 9/2019 Eaton A61F 5/566
 2003/0000534 A1 1/2003 Alfery
 2003/0131853 A1 7/2003 Wall
 2004/0129272 A1 7/2004 Ganesh
 2008/0078402 A1 4/2008 Mongeon
 2008/0092882 A1 4/2008 Munn

2008/0092900 A1 4/2008 Munn
 2008/0185004 A1 8/2008 Munn
 2008/0230054 A1 9/2008 Prineas
 2010/0132700 A1 6/2010 Filipi et al.
 2010/0199998 A1 8/2010 Matic
 2012/0048278 A1 3/2012 Yasick
 2012/0234331 A1 9/2012 Shantha
 2012/0234332 A1 9/2012 Shantha
 2012/0255561 A1 10/2012 Shantha
 2012/0283513 A1 11/2012 Leeflang
 2013/0014754 A1 1/2013 Guerra
 2014/0007868 A1 1/2014 Eaton et al.
 2014/0069421 A1 3/2014 Kuo
 2014/0323896 A1 10/2014 McCauley
 2015/0013672 A1 1/2015 Abdou
 2016/0206303 A1 7/2016 Chaudhry
 2017/0203067 A1 * 7/2017 Eaton A61M 16/0497
 2018/0311455 A1 11/2018 Simons

OTHER PUBLICATIONS

Guedel A. E., "Clinical Notes, Suggestions and New Instruments," J. Am. Med. Assoc. 1933, 100, 1862.
 Superior Oral Airways that Actually Open the Oropharyngeal Airway, Wedge Therapeutics, Web Archive Dated Mar. 29, 2018, 5 pages.
 Application and File History for U.S. Appl. No. 26/636,861, filed Feb. 12, 2018, Inventor: Shantha, 49 pages.
 Application and File History for U.S. Appl. No. 29/636,854, filed Feb. 12, 2018, Inventor: Shantha, 49 pages.
 International Search Report and Written Opinion in International Patent Application No. PCT/US2018/017812, dated May 9, 2018, 14 pages.
 Dickenson et al., Emergency Care (11th Edition), Englewood Cliffs, N.J: Prentice Hall, 157-9 (2008).

* cited by examiner

FIG. 1

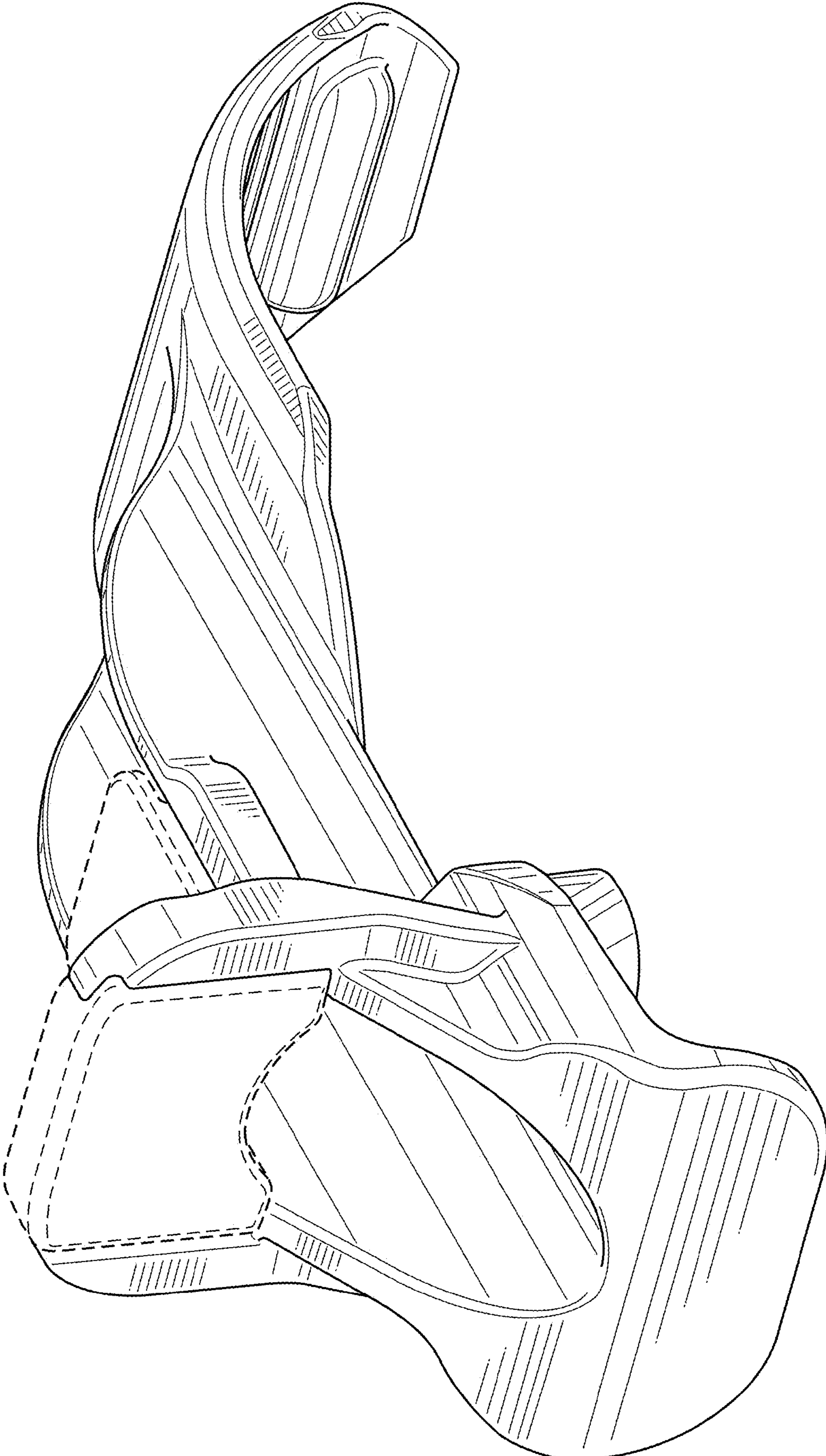


FIG. 2

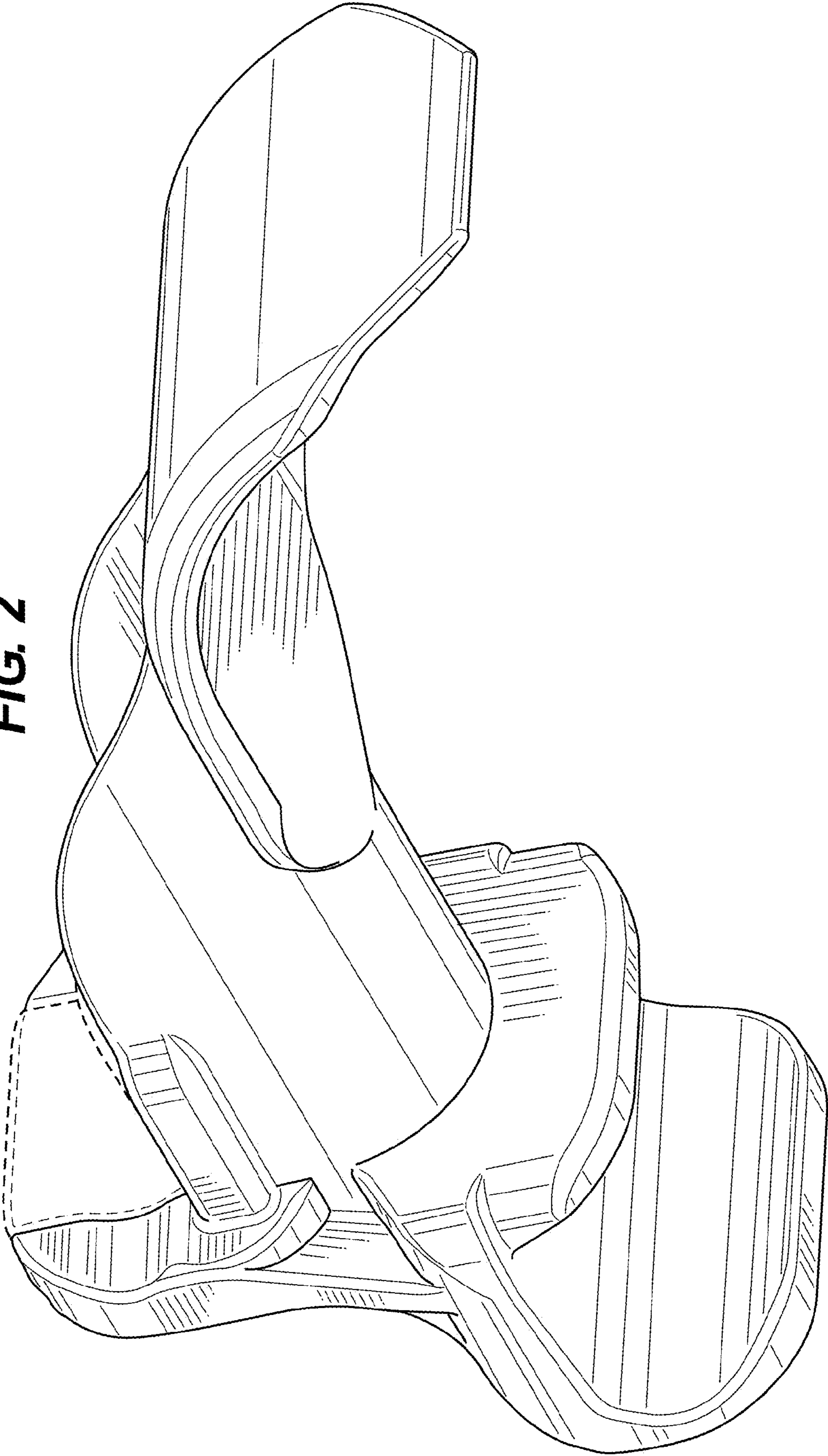


FIG. 3

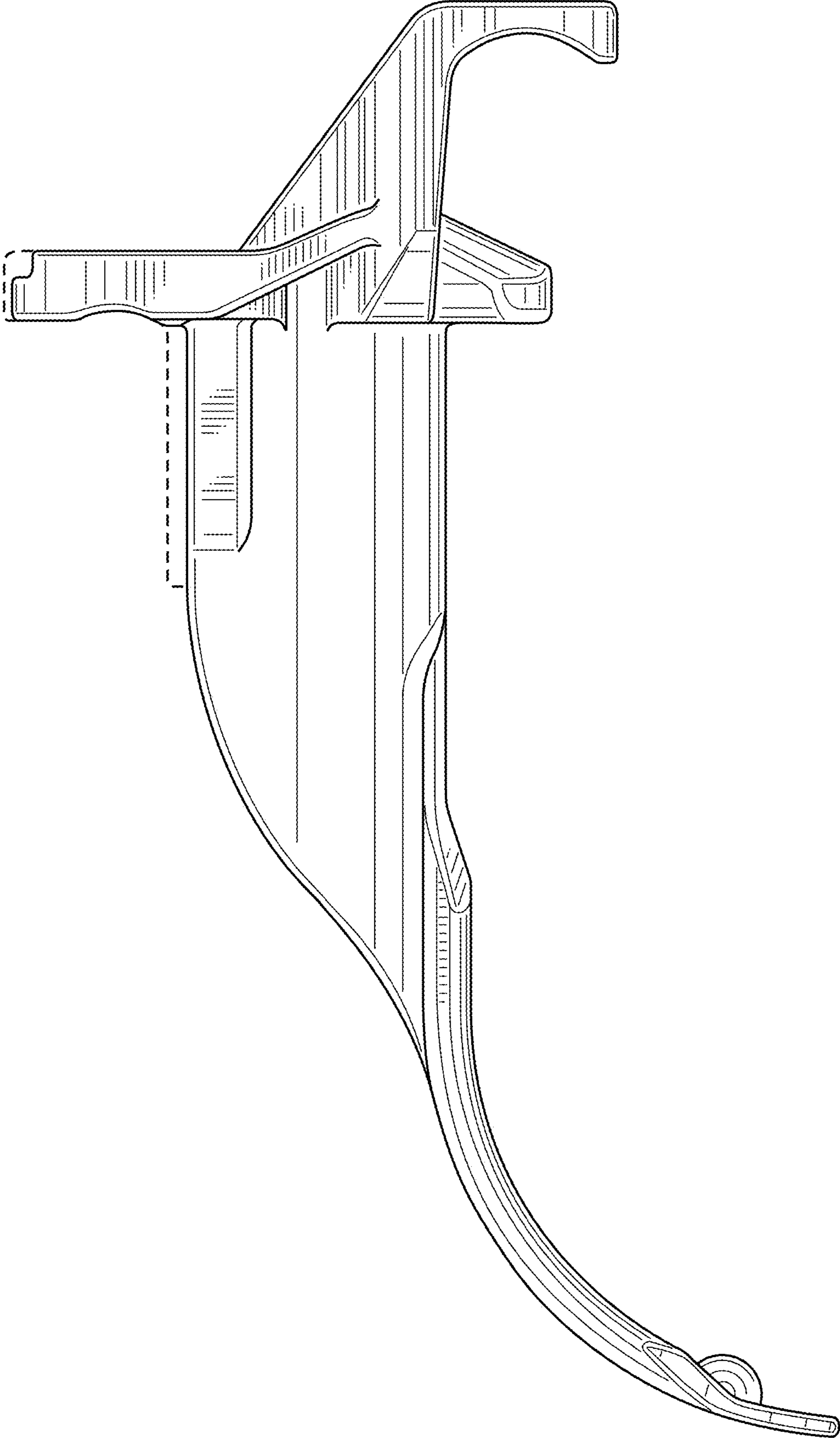


FIG. 4

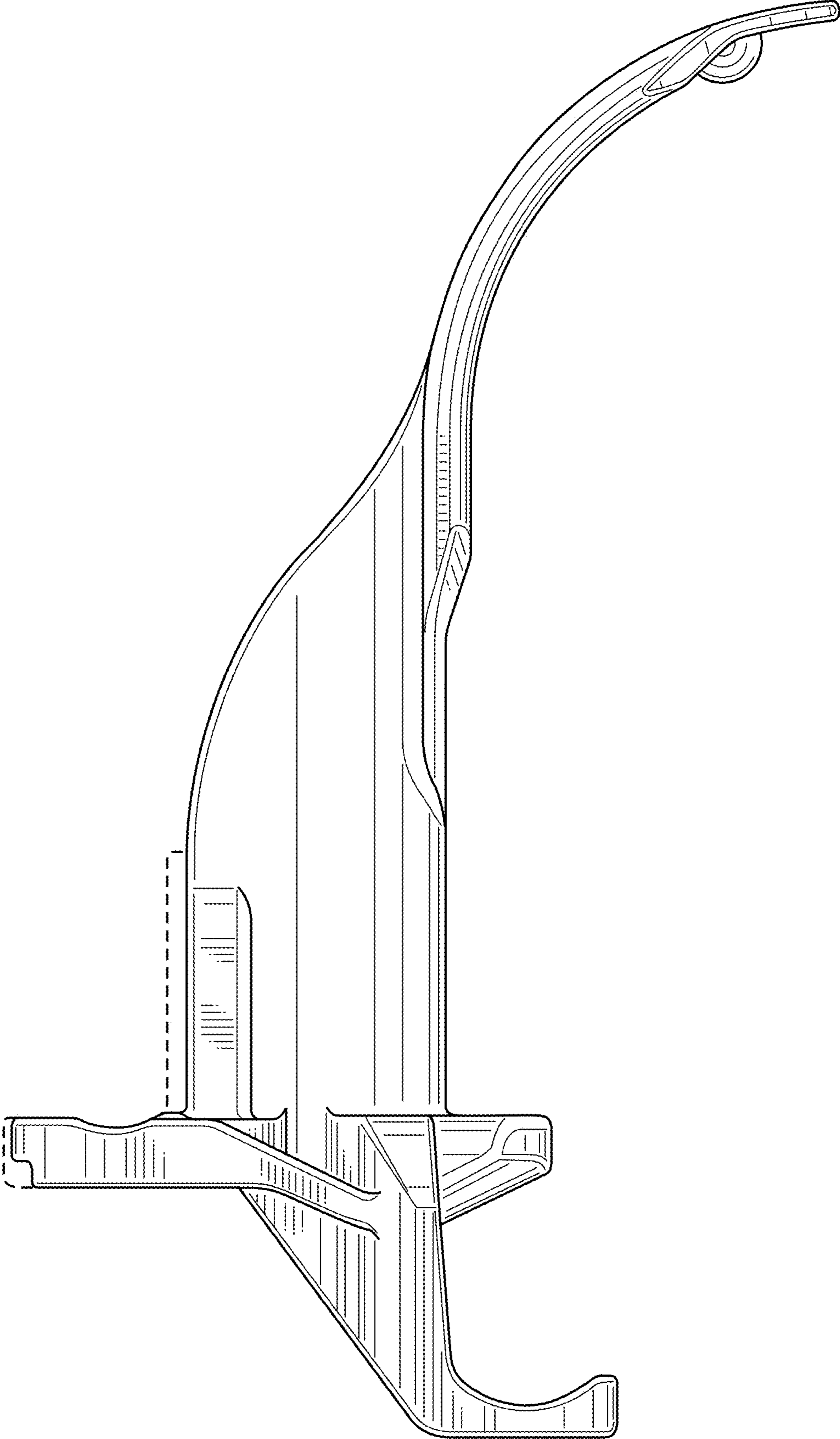


FIG. 5

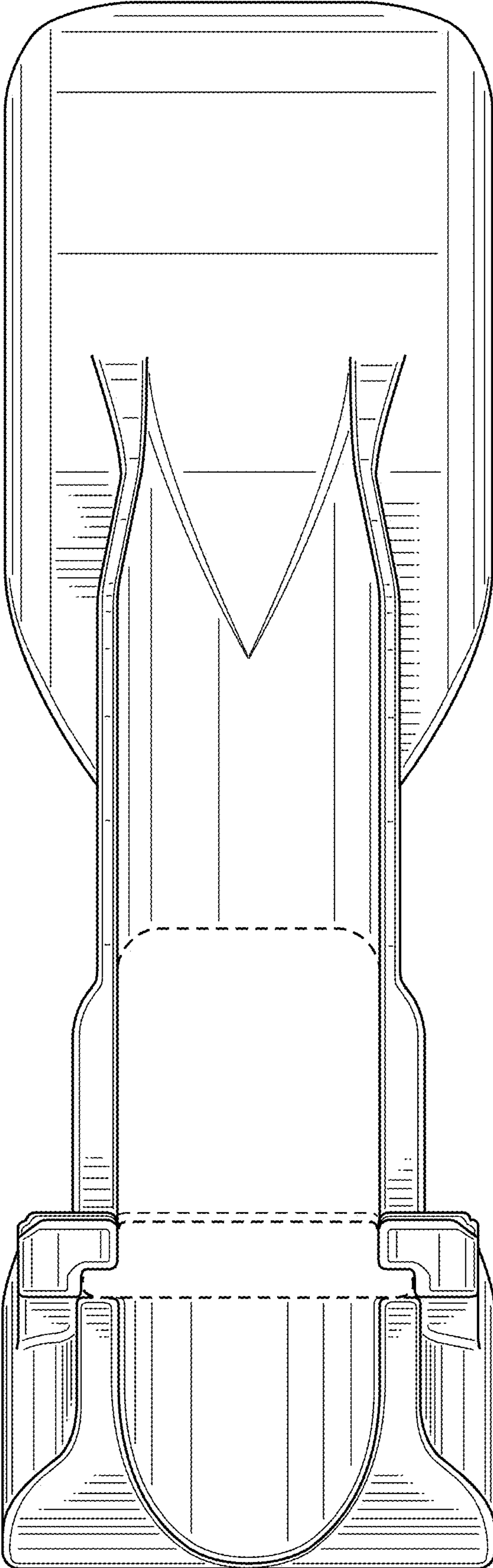


FIG. 6

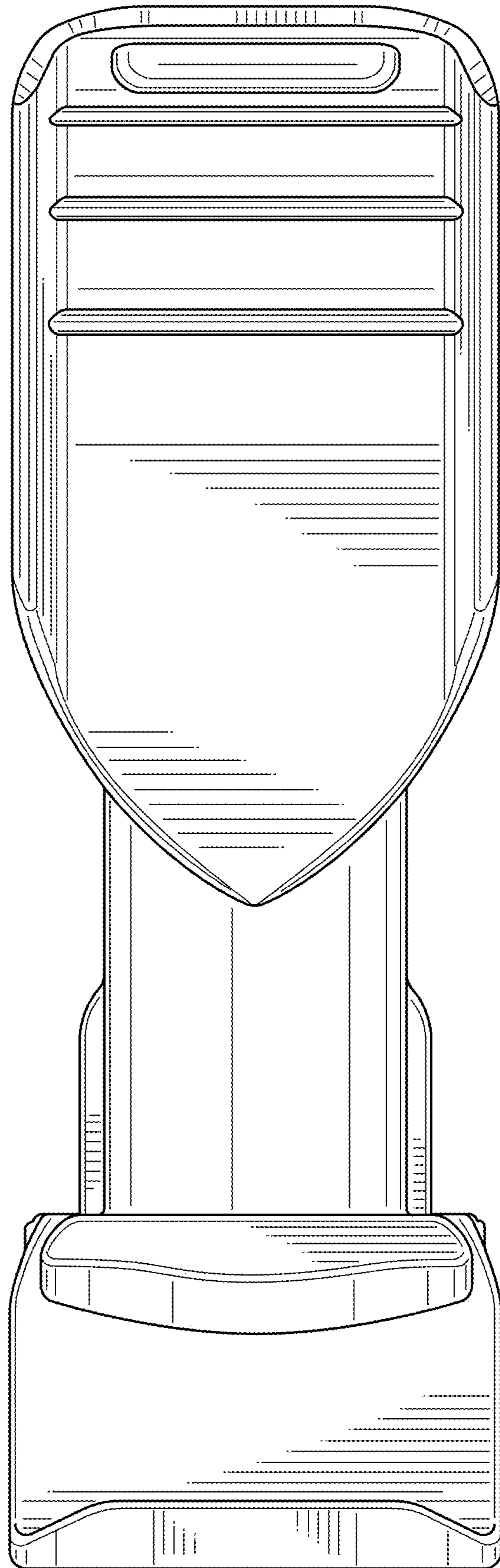


FIG. 7

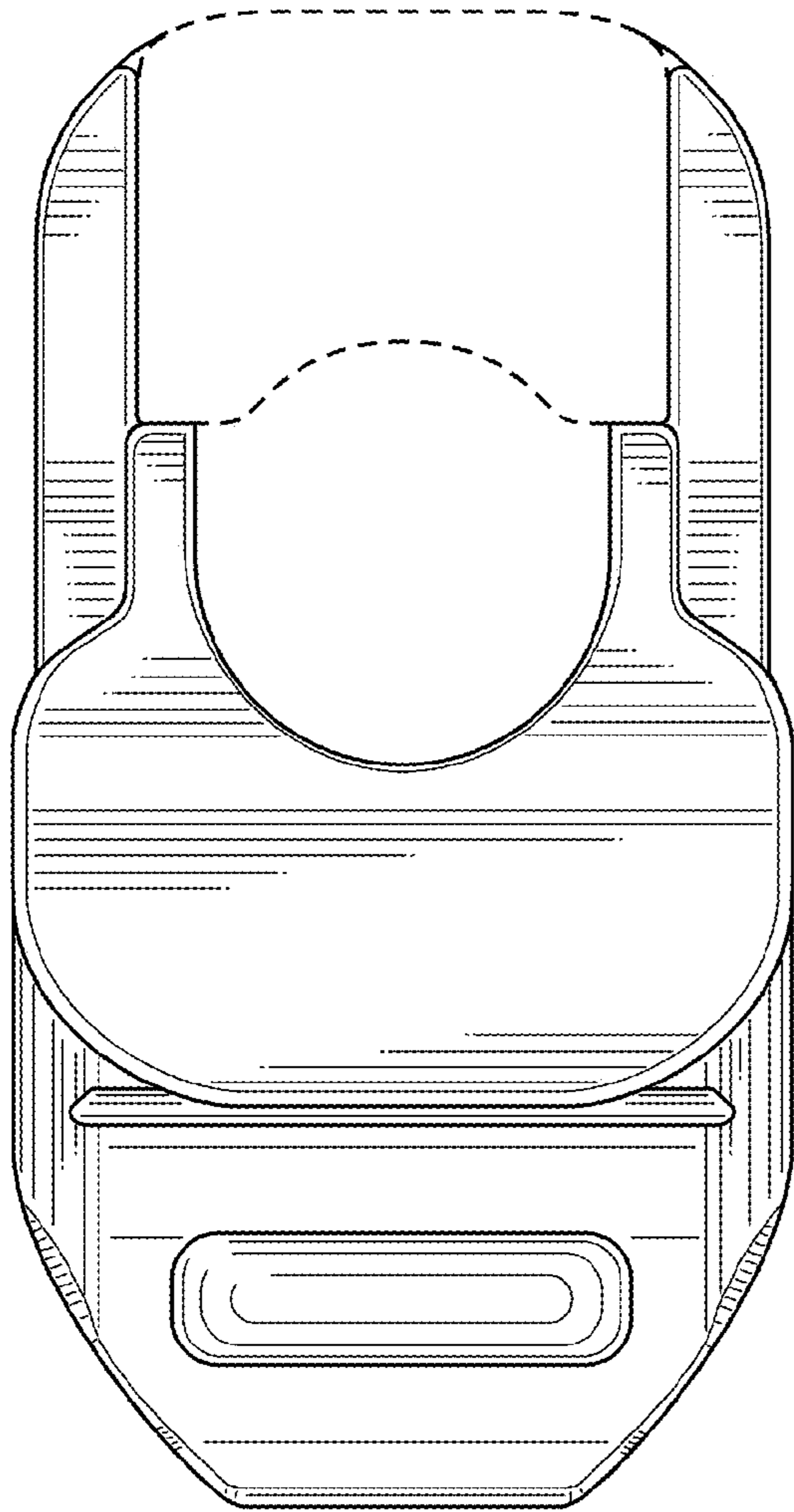


FIG. 8

