



US00D885556S

(12) **United States Design Patent** (10) **Patent No.:** **US D885,556 S**
Oldfield et al. (45) **Date of Patent:** **** May 26, 2020**

(54) **TIP, TUBE AND CLIP ASSEMBLY FOR A GAS SAMPLING APPARATUS**

9,993,607 B2 * 6/2018 Weaver A61M 16/0463
2001/0031929 A1 10/2001 O'Toole
2004/0060443 A1 * 4/2004 Richardson B01D 53/02
96/108
2005/0150498 A1 * 7/2005 McDonald A61M 16/085
128/206.27

(71) Applicant: **Fisher & Paykel Healthcare Limited, Auckland (NZ)**

(72) Inventors: **Samantha Dale Oldfield, Auckland (NZ); Edward John Evans, Auckland (NZ); Nathan James Roa, Auckland (NZ); Kate Jayne Chilcott, Auckland (NZ); Craig Karl White, Auckland (NZ)**

(Continued)

FOREIGN PATENT DOCUMENTS

EP 1845841 10/2007
EP 2181727 5/2010

(Continued)

(73) Assignee: **Fisher & Paykel Healthcare Limited, Auckland (NZ)**

OTHER PUBLICATIONS

PCT, Written Opinion of the International Search Authority and Search Report, Application No. PCT/NZ2017/050134, dated Feb. 15, 2018, in 19 pages.

Primary Examiner — Lilyana Bekic

(74) *Attorney, Agent, or Firm* — Knobbe, Martens, Olson & Bear, LLP

(**) **Term:** **15 Years**

(21) **Appl. No.:** **29/644,094**

(22) **Filed:** **Apr. 13, 2018**

(51) **LOC (12) Cl.** **24-01**

(52) **U.S. Cl.**
USPC **D24/108; D24/164**

(58) **Field of Classification Search**
USPC D24/107–108, 110, 110.5–110.6, 112, D24/127, 129, 164, 216
CPC A61M 16/085; A61M 2202/0208; A61M 2230/432; A61M 16/06; A61M 16/0858; A61M 16/0841

See application file for complete search history.

(57) **CLAIM**

The ornamental design for a tip, tube and clip assembly for a gas sampling apparatus, as shown and described.

DESCRIPTION

FIG. 1 is a front, top and right side perspective view of a tip, tube and clip assembly for a gas sampling apparatus, showing our new design.

FIG. 2 is a front, bottom and right side perspective view thereof.

FIG. 3 is a front view thereof.

FIG. 4 is a rear view thereof.

FIG. 5 is a left side view thereof.

FIG. 6 is a right side view thereof.

FIG. 7 is a top view thereof; and,

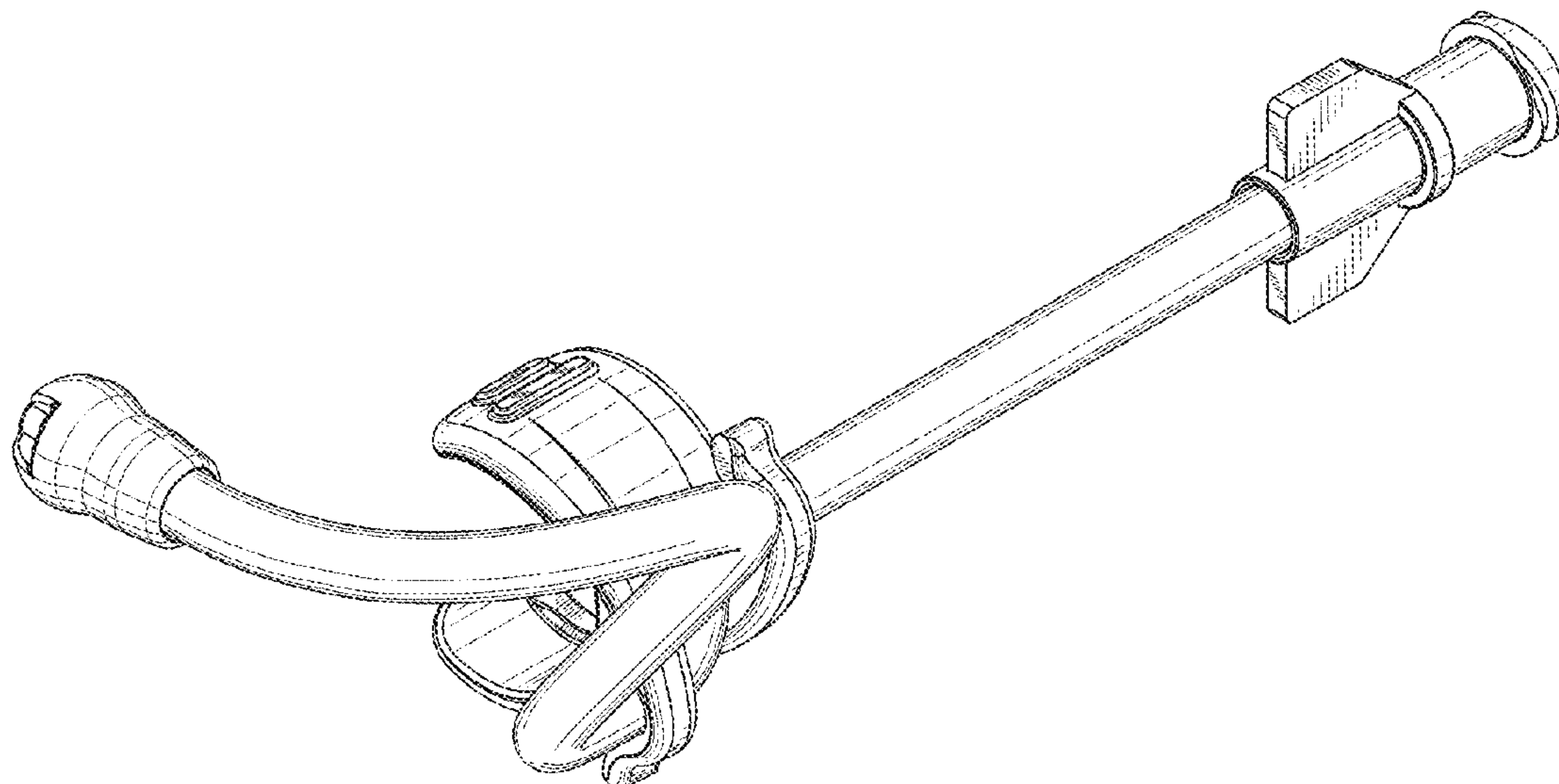
FIG. 8 is a bottom view thereof.

(56) **References Cited**

U.S. PATENT DOCUMENTS

5,046,491 A 9/1991 Derrick
D350,394 S * 9/1994 Kazal D24/164
7,337,780 B2 3/2008 Curti et al.
7,997,271 B2 8/2011 Hickle et al.
8,333,200 B2 12/2012 Tero
9,440,039 B2 9/2016 Payton et al.
9,636,043 B2 5/2017 Levitsky et al.
9,687,623 B2 * 6/2017 Colman A61M 16/0488

1 Claim, 8 Drawing Sheets



(56)

References Cited

U.S. PATENT DOCUMENTS

2009/0133699 A1* 5/2009 Nalagatla A61B 5/0836
128/205.27
2012/0271187 A1 10/2012 McNeill
2013/0220326 A1* 8/2013 Kemps A61M 16/20
128/205.23
2014/0018691 A1 1/2014 Mcneill
2014/0243698 A1* 8/2014 Koch A61M 16/085
600/531
2014/0251333 A1* 9/2014 Burk A61M 16/0816
128/205.12
2015/0099993 A1 4/2015 Weaver et al.
2015/0360012 A1 12/2015 Sansone et al.
2016/0015296 A1 1/2016 Garaycochea
2016/0058973 A1 3/2016 Farnan et al.
2016/0220777 A1 8/2016 Weaver et al.
2016/0270692 A1 9/2016 Johnson et al.
2016/0345863 A1 12/2016 Johnson et al.

2016/0345864 A1 12/2016 Johnson et al.
2016/0345894 A1 12/2016 Johnson et al.
2016/0346495 A1 12/2016 Payton et al.
2017/0014047 A1 1/2017 Derrick
2017/0014048 A1 1/2017 Wilke
2019/0060595 A1* 2/2019 Geraghty A61M 16/0463
2019/0282161 A1* 9/2019 Johnson A61B 5/097
2020/0001035 A1* 1/2020 Vanpelt A61B 5/097

FOREIGN PATENT DOCUMENTS

EP 2204206 3/2016
JP D1646419 * 11/2019
JP D1652657 * 2/2020
JP D1652658 * 2/2020
JP D1652659 * 2/2020
JP D1654280 * 3/2020
WO WO 2016/035035 3/2016
WO WO 2018/052673 3/2018

* cited by examiner

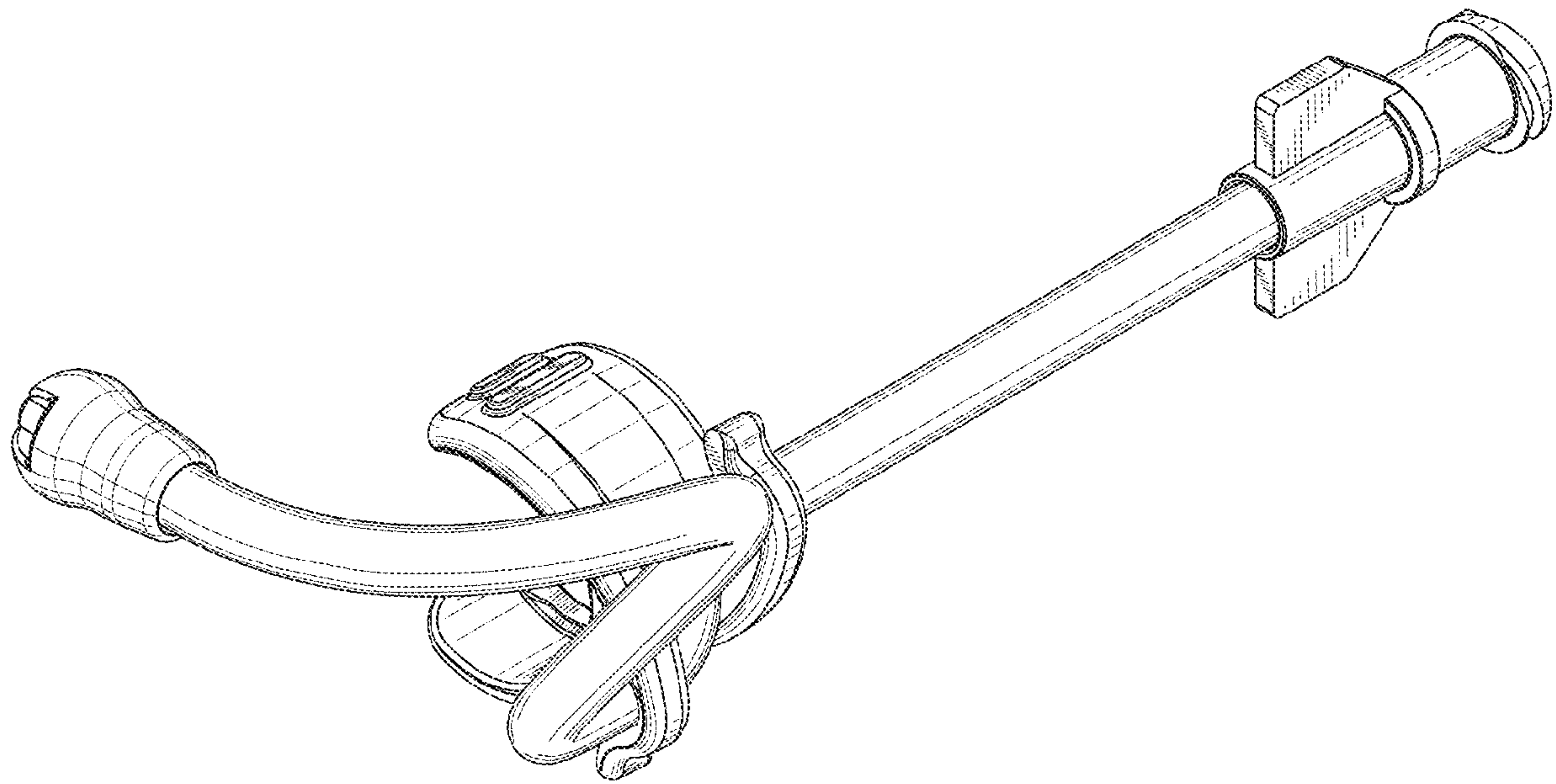


FIG. 1

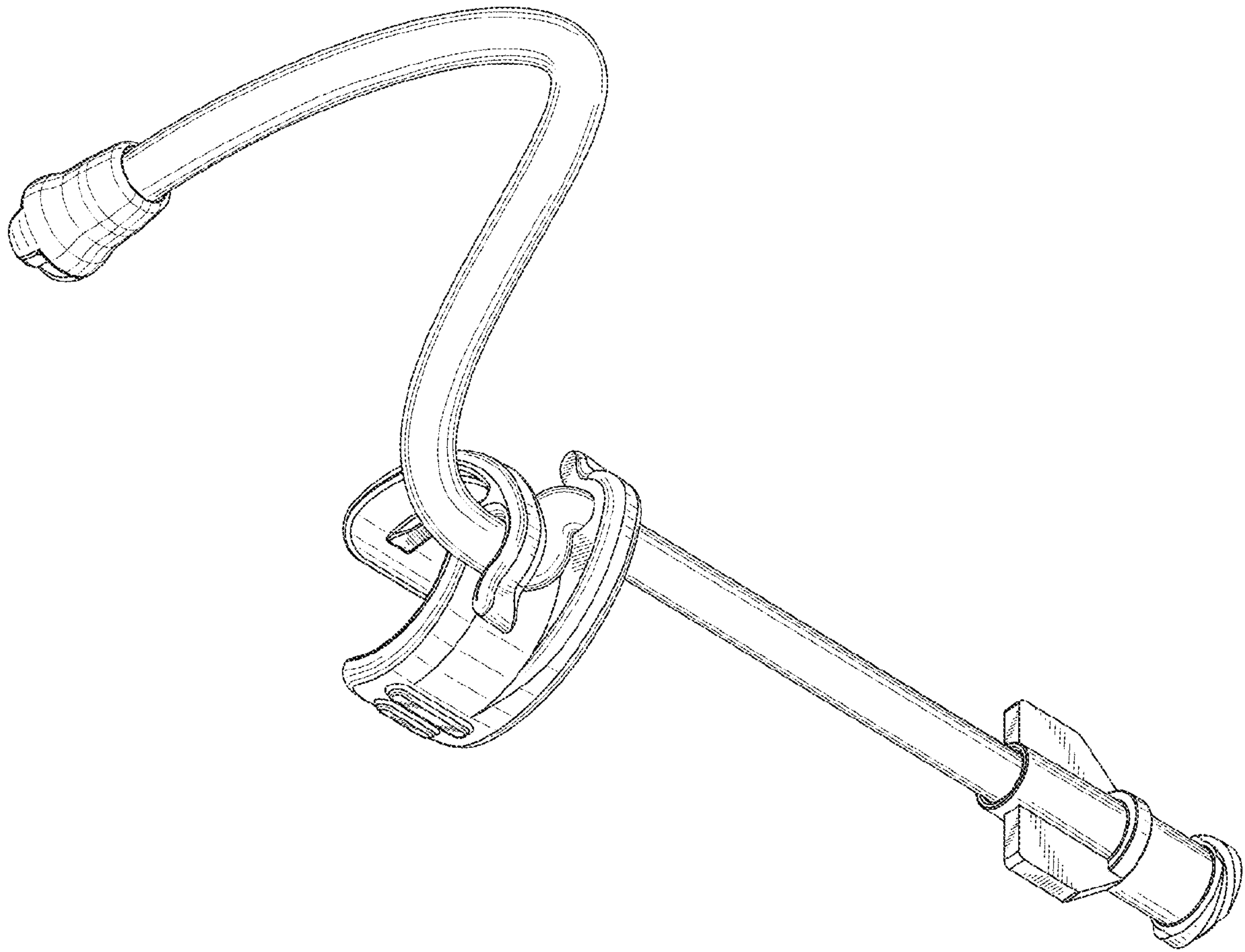


FIG. 2

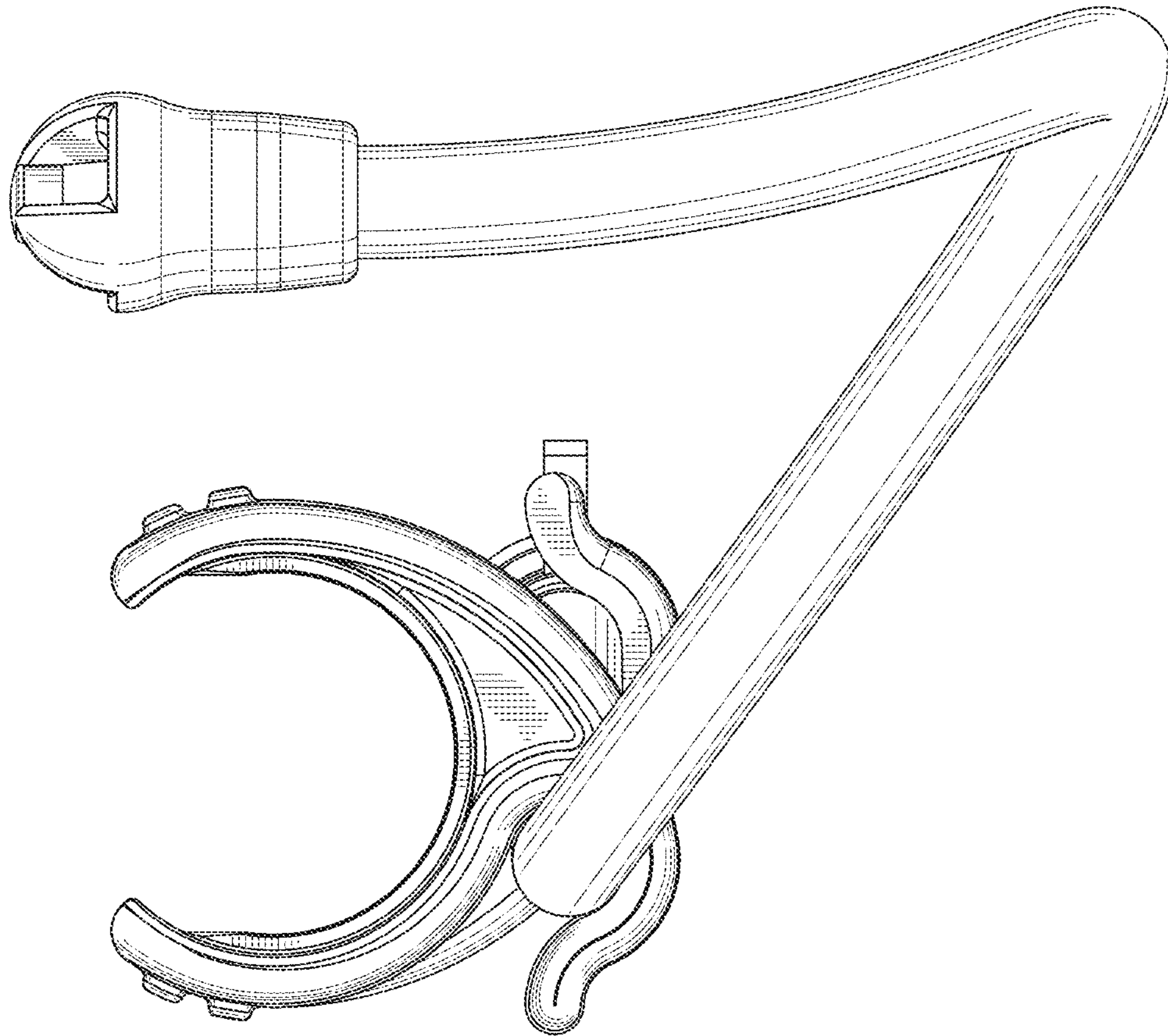


FIG. 3

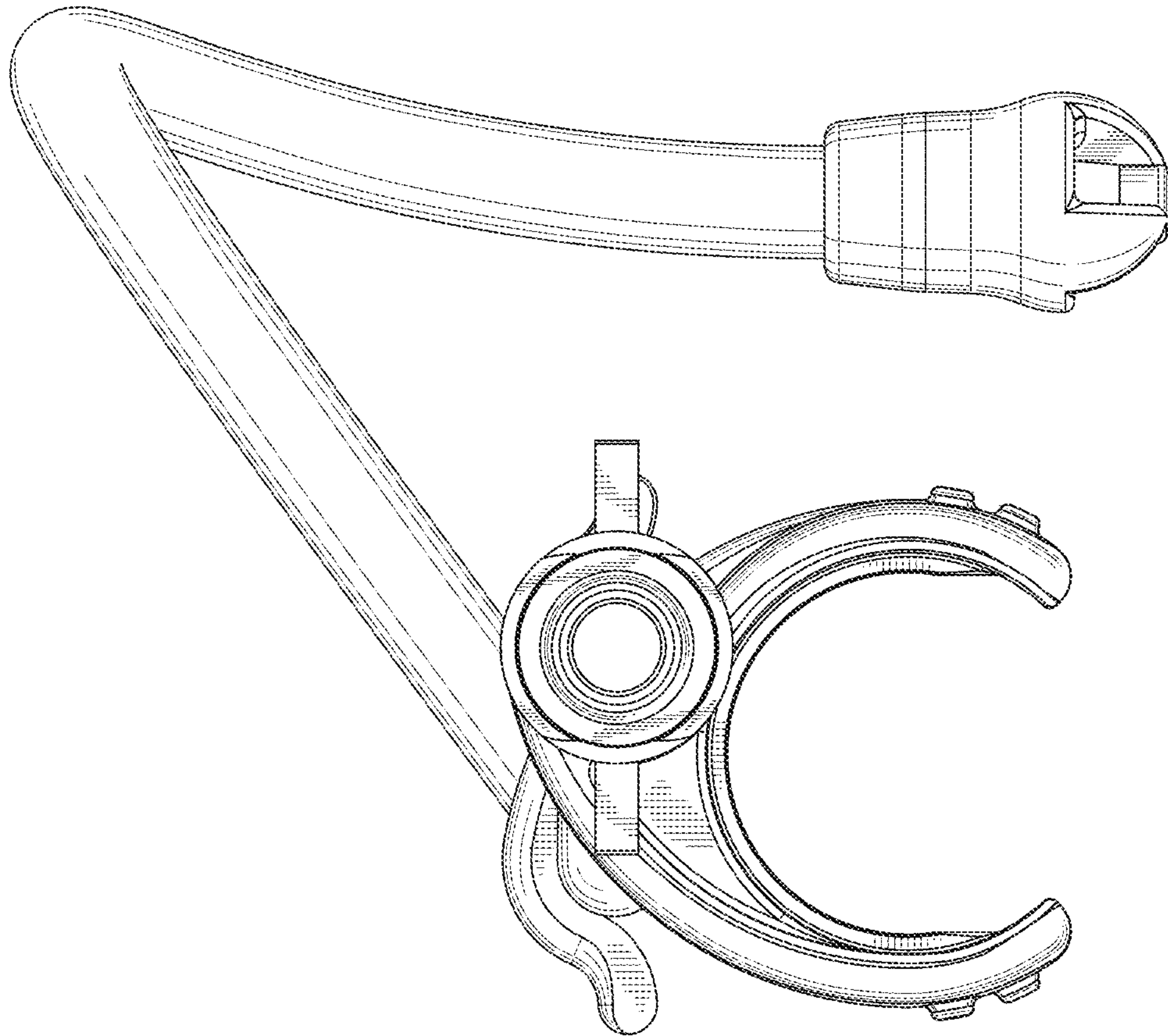


FIG. 4

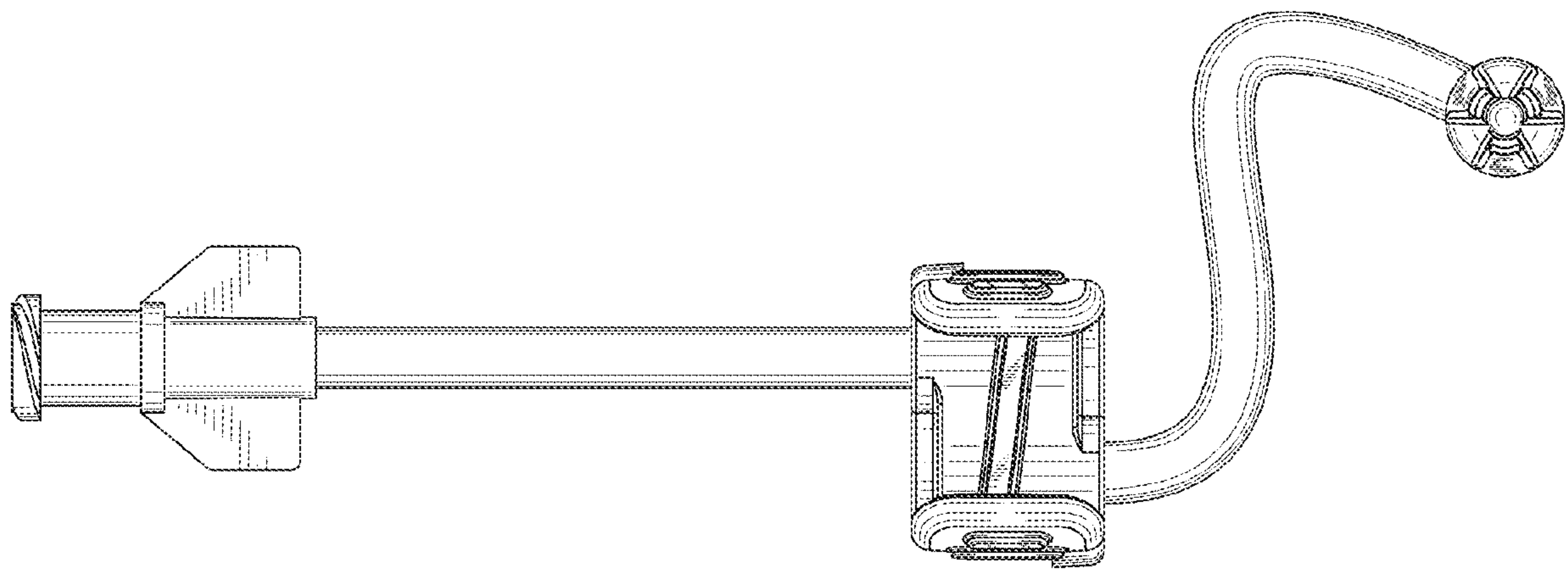


FIG. 5

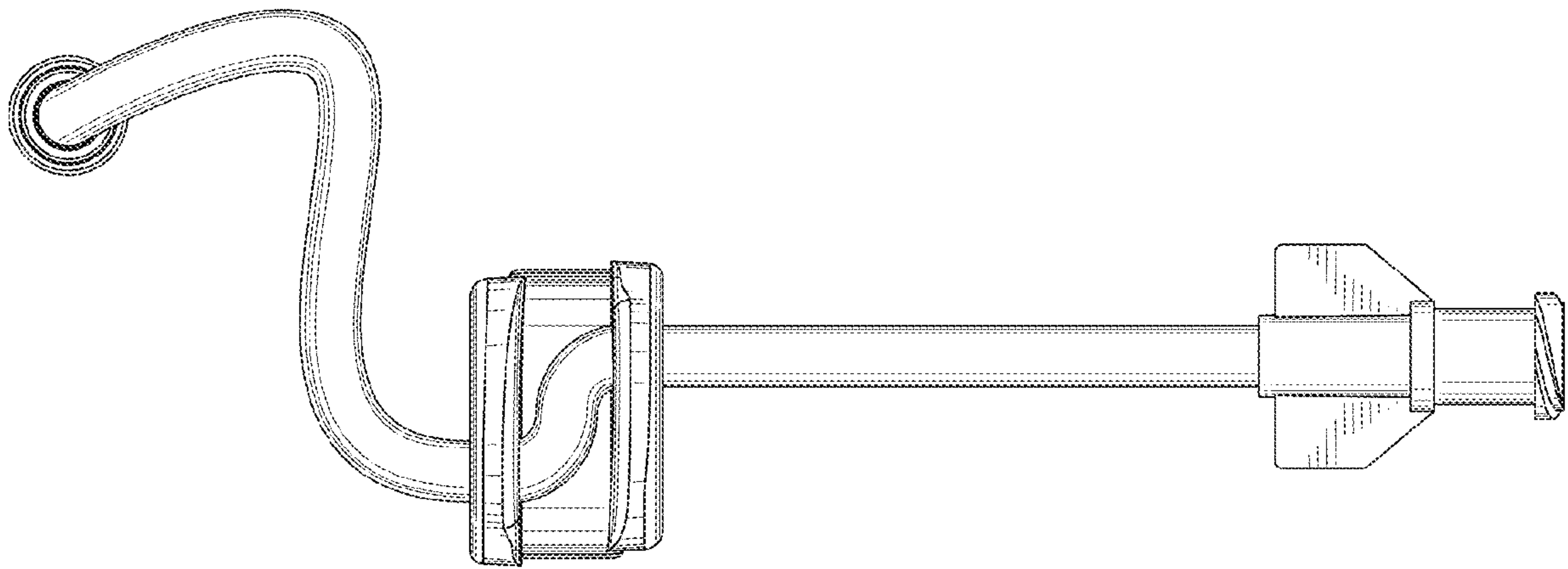


FIG. 6

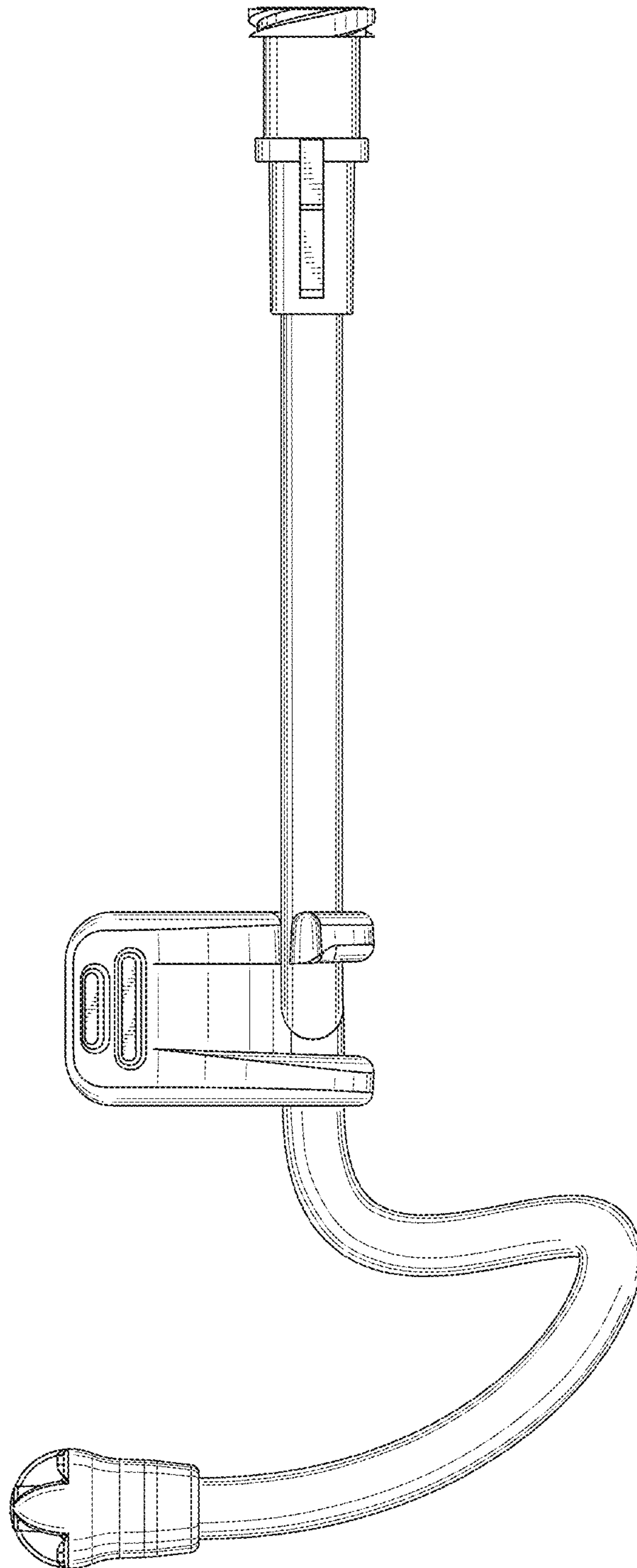


FIG. 7

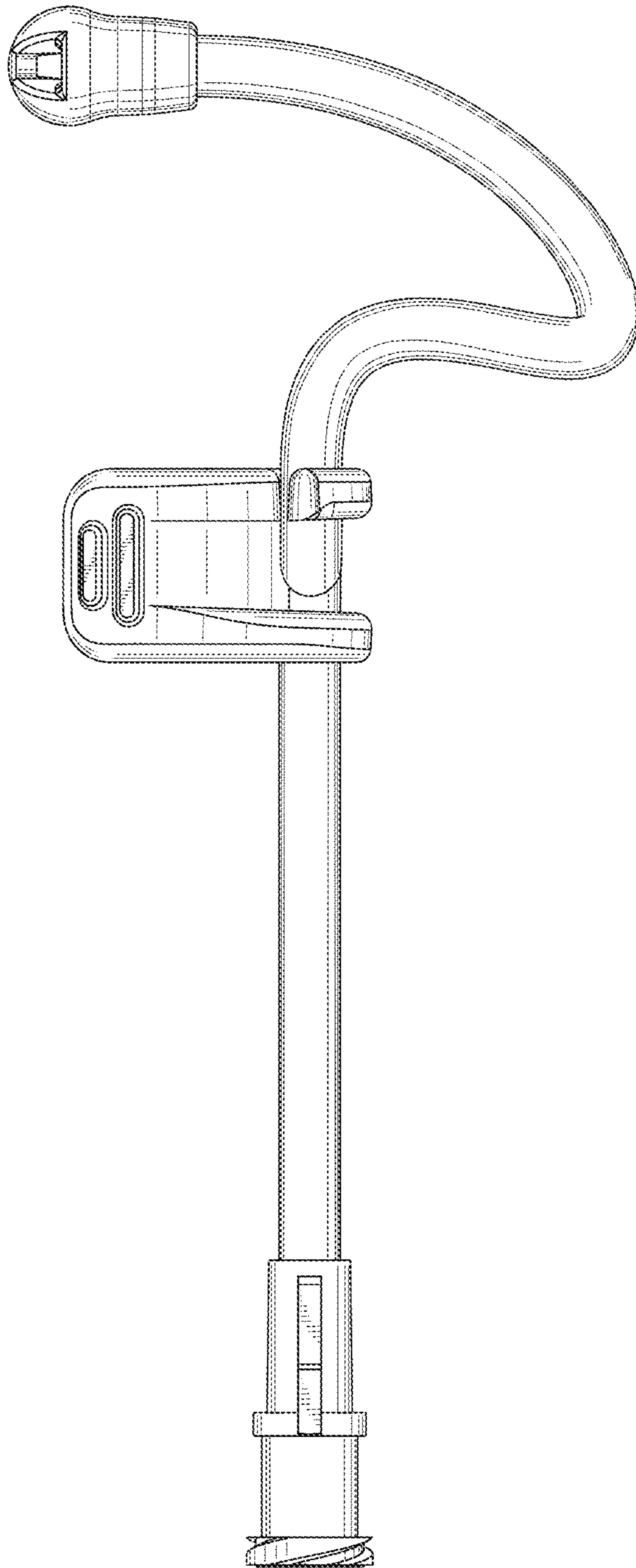


FIG. 8