



US00D885555S

(12) **United States Design Patent** (10) **Patent No.:** **US D885,555 S**
Wang (45) **Date of Patent:** **** May 26, 2020**

- (54) **FAN**
- (71) Applicant: **Shenzhen Imipow Electronic Tech, Co., Ltd.**, Shenzhen (CN)
- (72) Inventor: **Dingjiang Wang**, Shenzhen (CN)
- (73) Assignee: **Shenzhen Imipow Electronic Tech, Co., Ltd.**, Shenzhen (CN)
- (**) Term: **15 Years**
- (21) Appl. No.: **29/618,630**
- (22) Filed: **Sep. 22, 2017**
- (51) **LOC (12) Cl.** **23-04**
- (52) **U.S. Cl.**
USPC **D23/382**
- (58) **Field of Classification Search**
USPC D26/59; D23/370–385, 411–414
CPC F04D 25/088; F04D 29/38; F21V 21/03;
B63H 1/16
See application file for complete search history.

(56) **References Cited**

U.S. PATENT DOCUMENTS

4,799,858	A *	1/1989	Shin-Chin	F04D 29/646 248/231.51
6,155,782	A *	12/2000	Hsu	F04D 25/084 415/126
D441,444	S *	5/2001	Shapiro	D23/382
D669,976	S *	10/2012	Hsu	D23/382
D674,476	S *	1/2013	Junkel	D23/370
D770,033	S *	10/2016	Ksiazek	D23/411
D818,109	S *	5/2018	Junkel	D23/382
D824,012	S *	7/2018	Xu	D23/382
D825,048	S *	8/2018	Breit	D23/382
D827,121	S *	8/2018	Wang	D23/378
D837,963	S *	1/2019	Xu	D23/382
D841,796	S *	2/2019	Freeland	D23/382
D847,573	S *	5/2019	Xu	D7/507
D855,171	S *	7/2019	Xu	D23/382
10,436,206	B2 *	10/2019	Freeland	F04D 29/601

D865,937	S *	11/2019	Lin	D23/382
D879,283	S *	3/2020	Liao	D23/382
2016/0356279	A1 *	12/2016	Xu	F04D 29/327

OTHER PUBLICATIONS

HandFan Portable Fan published by Amazon, reviewed on Jun. 14, 2018 <https://www.amazon.com/HandFan-Portable-Handheld-Rechargeable-Adjustable/dp/B06XW4P6X2/ref=redir_mobile_desktop?ie=UTF8&axitk=VZuJHdZgA4SoTy9XxGEmyQ&hsa_cr_id=1986975660201&ref_=sb_s_sparkle> (Year: 2018).*

Desk Fan Bengoo, published by Amazon, reviewed on Jul. 11, 2018 <https://www.amazon.com/BENGOO-Handheld-Rechargeable-Detachable-Household/dp/B07DRJZR9G/ref=sr_1_2?dchild=1&keywords=bengoo+desk+fan&qid=1586834988&s=home-garden&sr=1-2> (Year: 2018).*

(Continued)

Primary Examiner — Janice Hallmark
(74) *Attorney, Agent, or Firm* — Sheridan Ross, P.C.

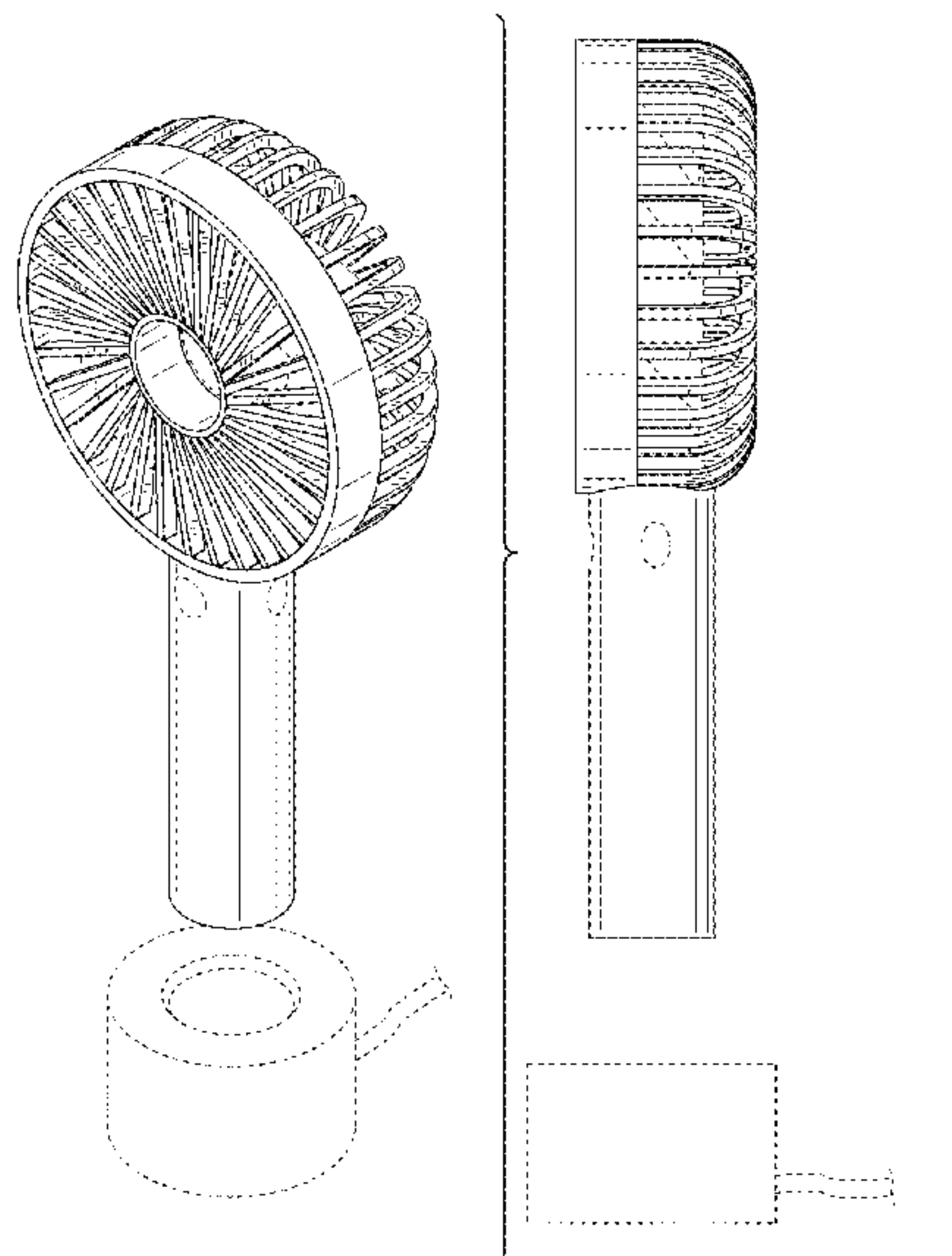
(57) **CLAIM**

The ornamental design for a fan, as shown and described.

DESCRIPTION

FIG. 1 is a perspective view of a fan showing my new design;
FIG. 2 is a front elevational view thereof;
FIG. 3 is a back elevational view thereof;
FIG. 4 is a right side elevational view thereof;
FIG. 5 is a left side elevational view thereof;
FIG. 6 is a top plan view thereof;
FIG. 7 is a bottom plan view thereof; and,
FIG. 8 is a perspective view thereof in a second configuration.
The broken lines show portions of the fan which form no part of the claimed design.

1 Claim, 8 Drawing Sheets



(56)

References Cited

OTHER PUBLICATIONS

Battery Handheld Fan by Hsxfl, published by Amazon, reviewed on Jul. 23, 2018, <https://www.amazon.com/Battery-Handheld-Fan-Portable-Operated/dp/B07PXB1L1L/ref=sr_1_2?dchild=1&keywords=battery+handheld+fan+hsxfl&qid=1586835024&s=home-garden&sr=1-2> (Year: 2018).*

Lu Mena N9-Fan PRO2 Portable Fan, published by AMazon, reviewed on Aug. 29, 2018, <https://www.amazon.com/LUMENA-Portable-Wireless-Charging-Adjustable/dp/B07RSCICYQC/ref=sr_1_1?dchild=1&keywords=lumena+n9-fan+pro2+portable+fan+with+wireless+charging+navy&qid=1586835129&s=home-garden&sr=1-1> (Year: 2019).*

* cited by examiner

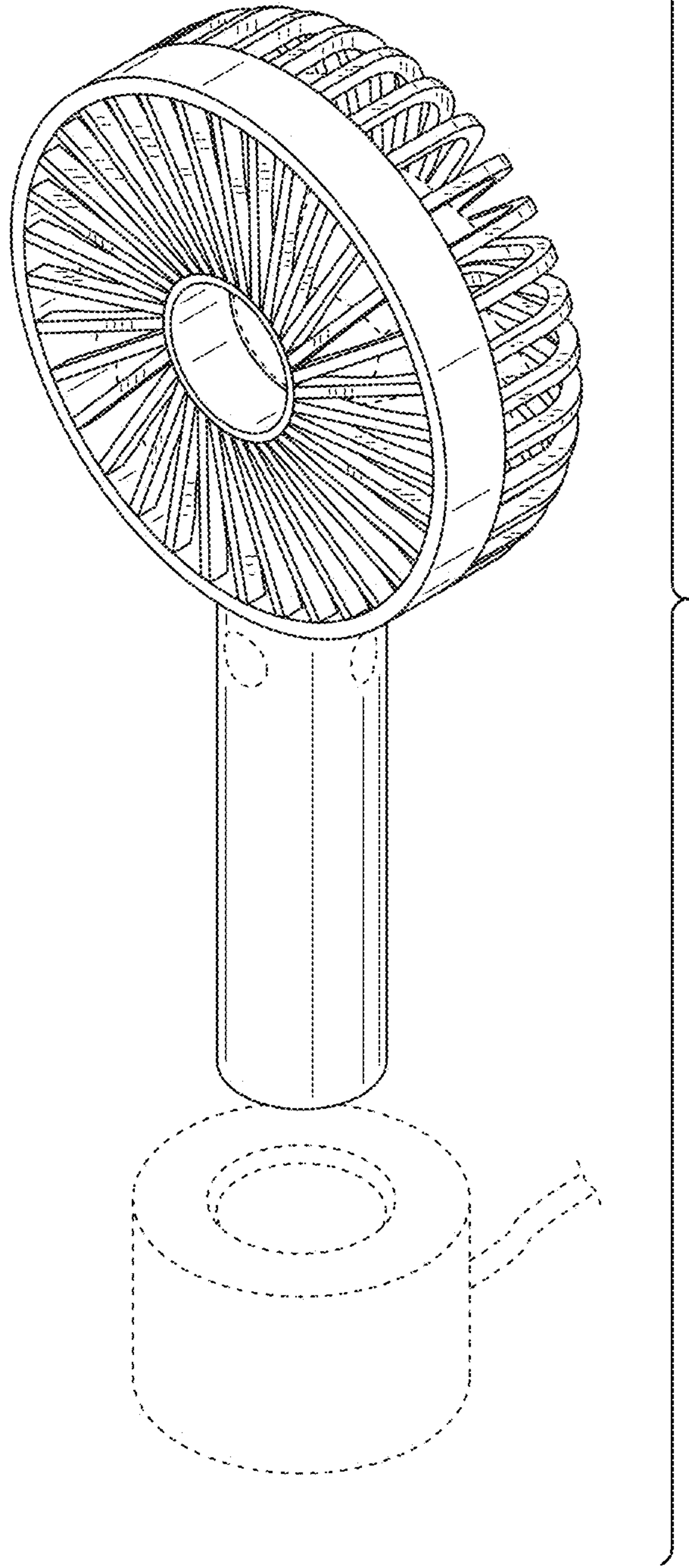


FIG.1

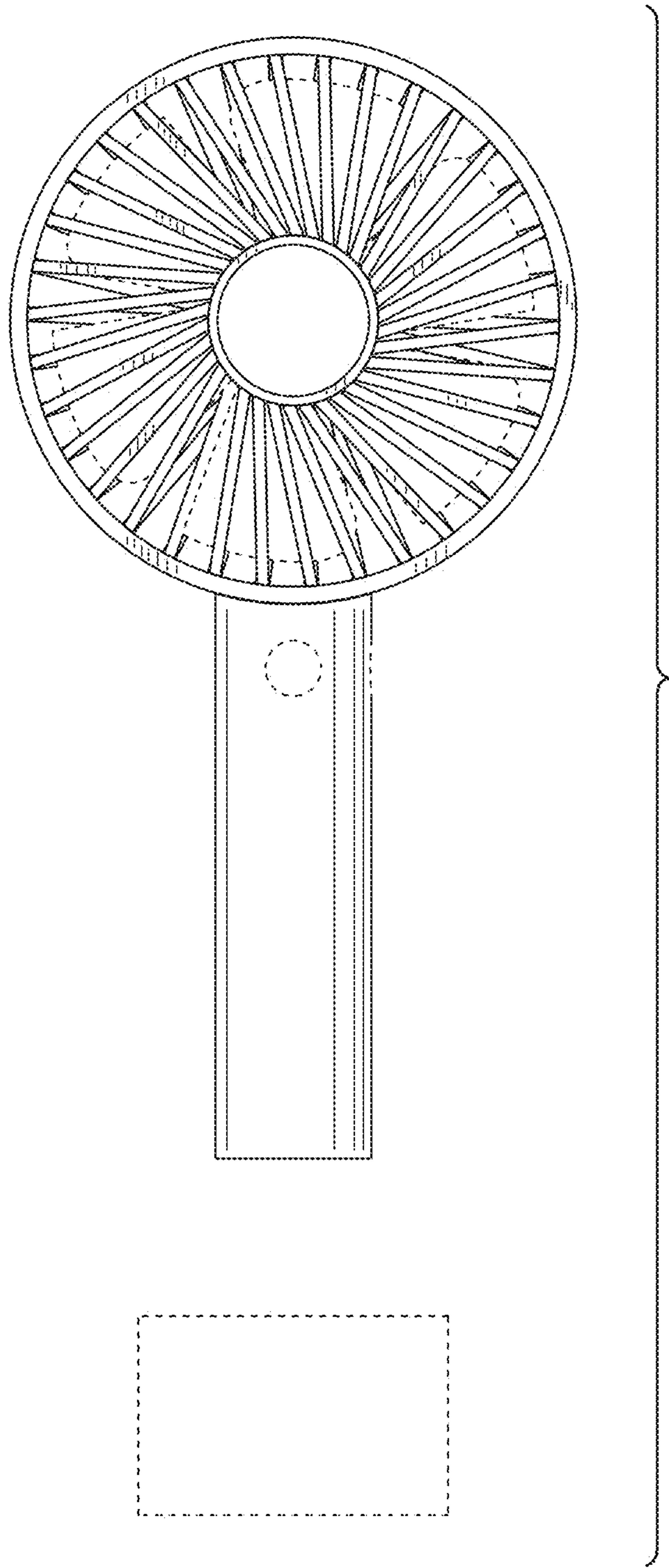


FIG.2

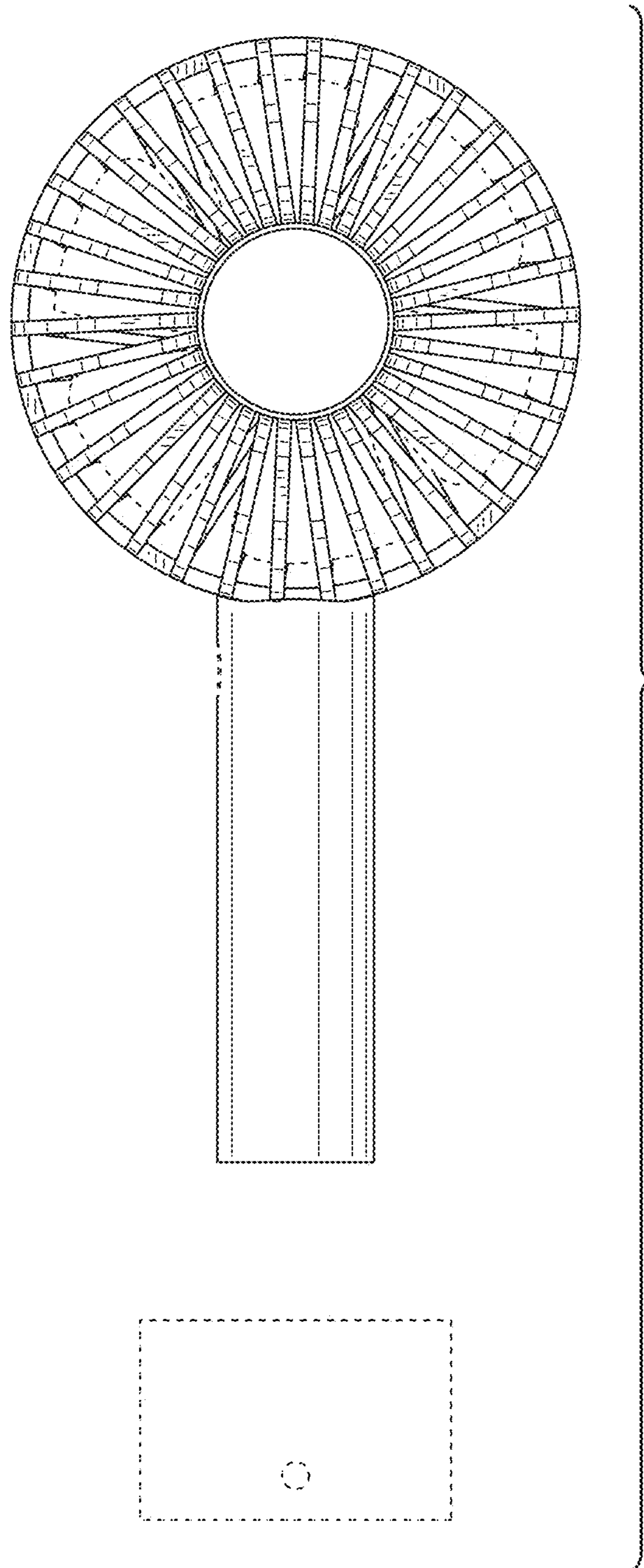


FIG.3

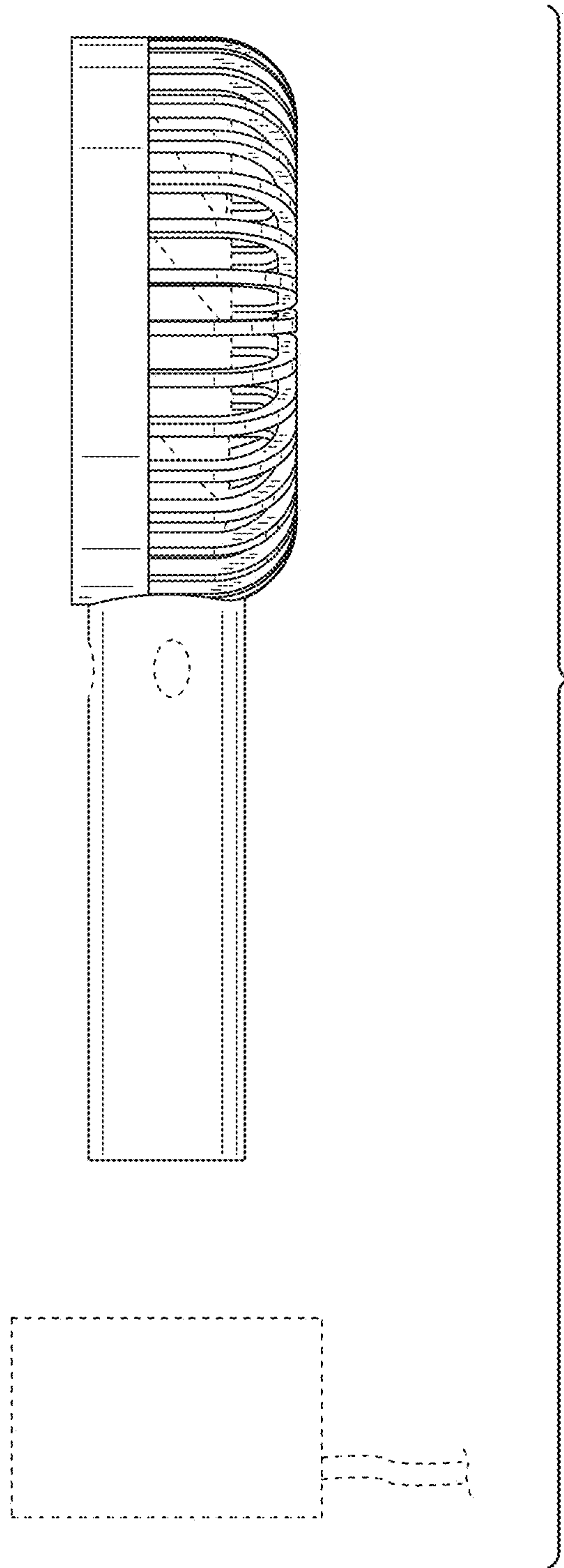


FIG.4

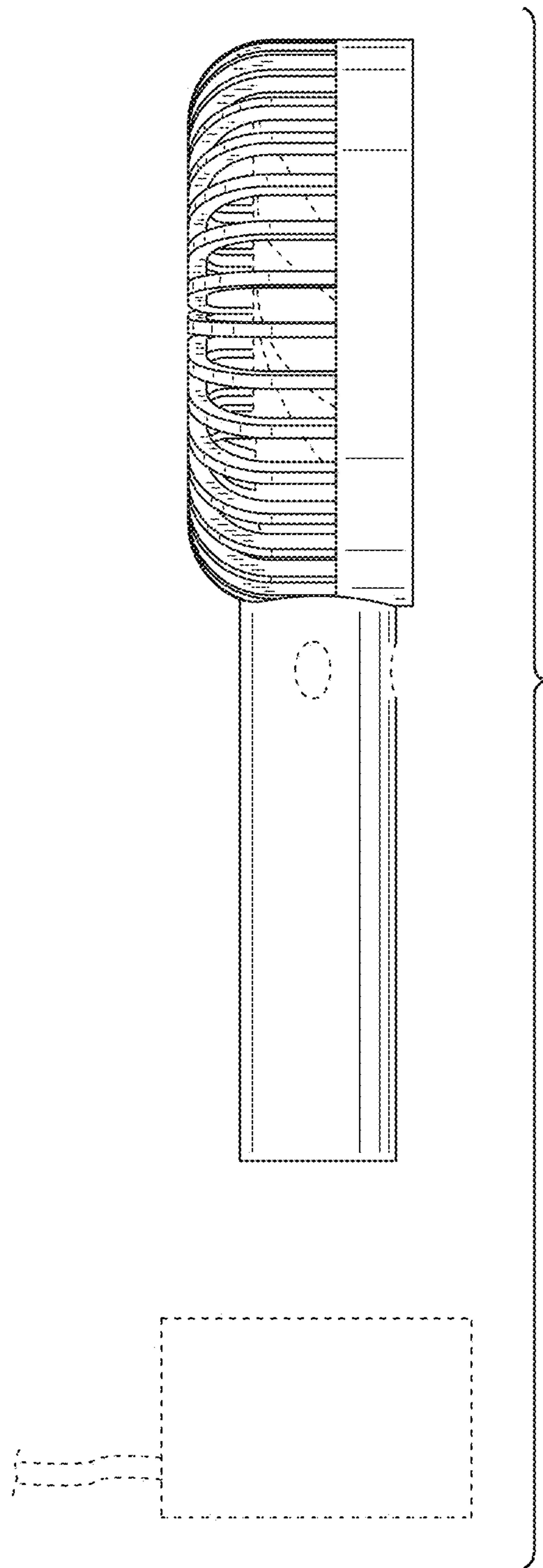


FIG.5

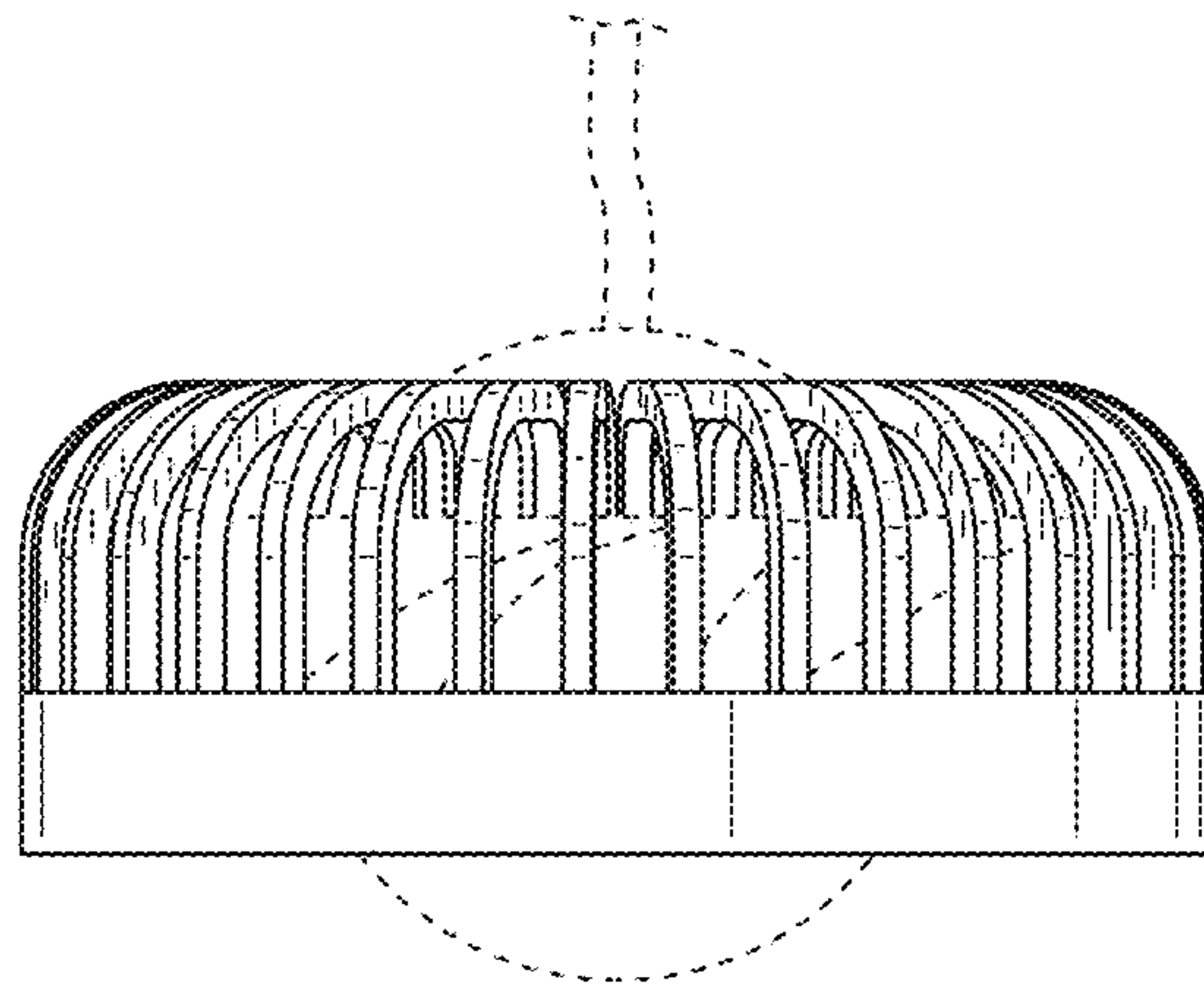


FIG.6

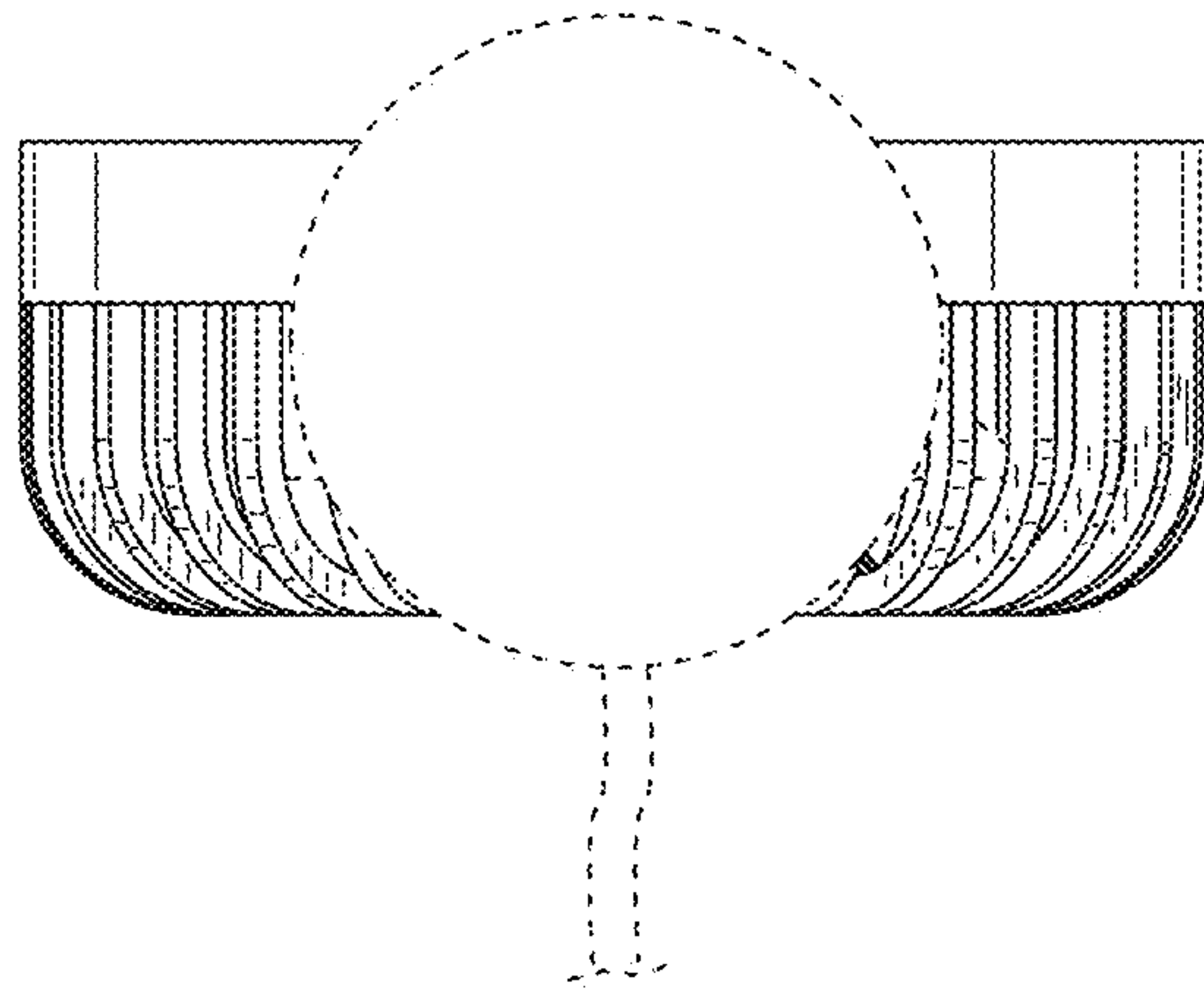


FIG. 7

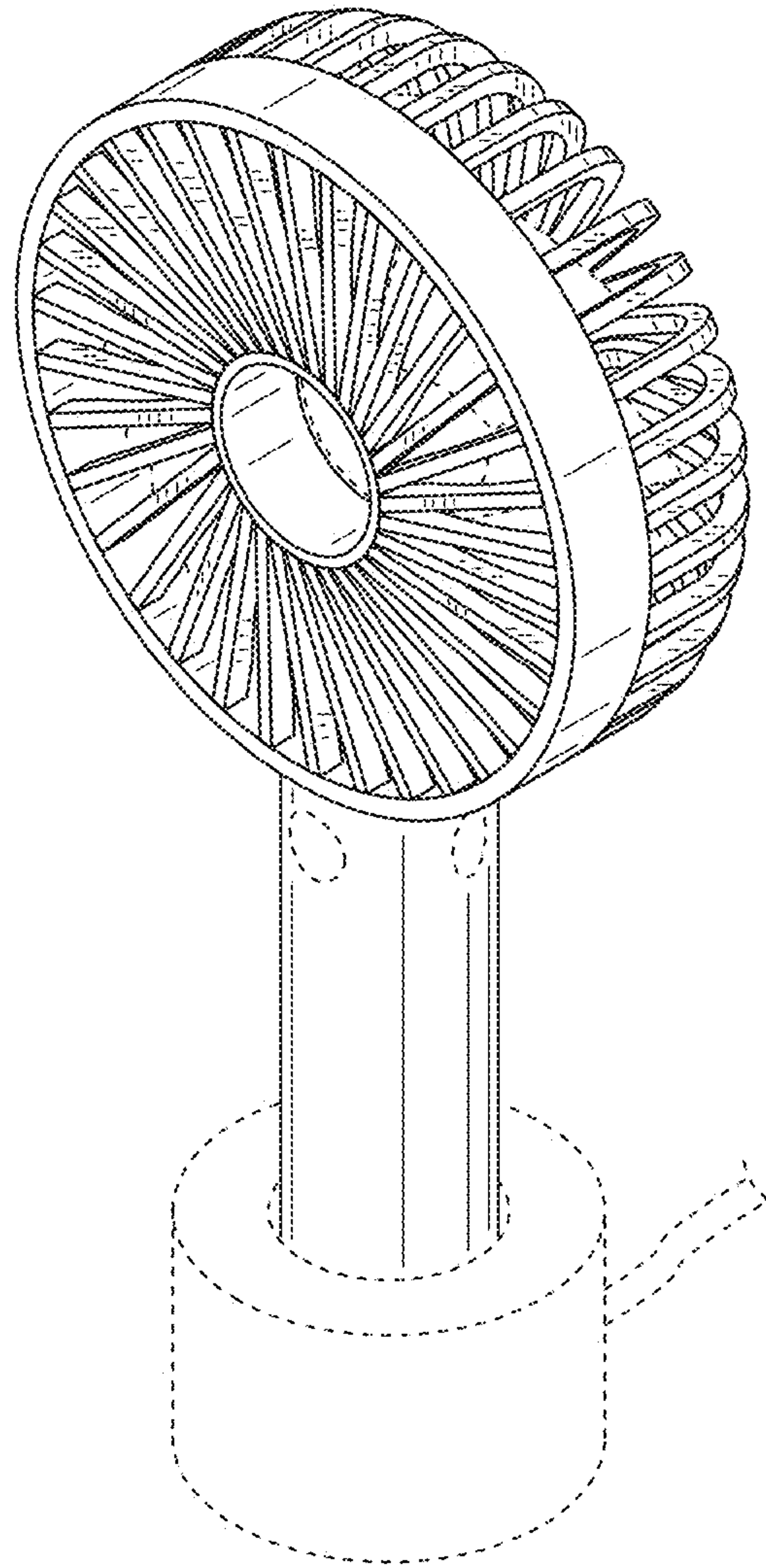


FIG.8