



US00D885554S

(12) **United States Design Patent**
Puglia, Sr.

(10) **Patent No.:** **US D885,554 S**

(45) **Date of Patent:** **** May 26, 2020**

(54) **NOVELTY FAN**

(71) Applicant: **Candyrific, LLC**, Louisville, KY (US)

(72) Inventor: **Frank James Puglia, Sr.**, Bixby, OK (US)

(73) Assignee: **Candyrific, LLC**, Louisville, KY (US)

(**) Term: **15 Years**

(21) Appl. No.: **29/668,563**

(22) Filed: **Oct. 31, 2018**

(51) **LOC (12) Cl.** **23-04**

(52) **U.S. Cl.**
USPC **D23/379**

(58) **Field of Classification Search**
USPC D23/370-386, 393, 411-414, 351-354,
D23/332-337, 366-392, 387-392;
D21/455
CPC F04D 5/00; F04D 27/00; F04D 29/329
See application file for complete search history.

(56) **References Cited**

U.S. PATENT DOCUMENTS

D54,419 S *	2/1920	Hotz	D23/370
D257,491 S *	11/1980	Cousins	D23/370
D384,144 S *	9/1997	DuBois	D23/332
D451,994 S *	12/2001	Yuen	D23/379
D482,064 S *	11/2003	Steiner	D19/123
D529,166 S *	9/2006	Geringer	D23/379
D544,078 S *	6/2007	Geringer	261/28
D593,237 S *	5/2009	Chernick	D23/328
D678,993 S *	3/2013	Kung-Hua	D23/370
D698,428 S *	1/2014	Sands	D23/314
D698,957 S *	2/2014	Wang	D26/38
D702,864 S *	4/2014	Lee	D26/96
D703,304 S *	4/2014	Herbst	D23/379
D767,747 S *	9/2016	Wang	D23/379
D799,672 S *	10/2017	Breit	D23/379
D803,383 S *	11/2017	Breit	D23/379

D806,853 S *	1/2018	Ho	D23/379
D841,796 S *	2/2019	Freeland	D23/382
2007/0207700 A1 *	9/2007	Ellis	A63H 33/26 446/484
2010/0129268 A1 *	5/2010	Andersen	A61L 9/122 422/124
2018/0355875 A1 *	12/2018	Freeland	F04D 29/601

OTHER PUBLICATIONS

Itemap Portable Handheld Cooling Fan Colorful LED Mini Light Battery Power with Strap, date first question answered Aug. 25, 2018, site visited Jan. 2, 2020, Copyright © 1996-2020, available at www.amazon.com.*

Marvel Avengers Fanimation videoV2, date posted Oct. 11, 2018, site visited Jan. 2, 2020, available from internet, <https://www.youtube.com/watch?time_continue=4&v=UqnXaazRQFY&feature=emb_logo>.*

* cited by examiner

Primary Examiner — Cathron C Brooks

Assistant Examiner — Sharon S Oum

(74) *Attorney, Agent, or Firm* — Stites & Harbison, PLLC; David W. Nagle, Jr.

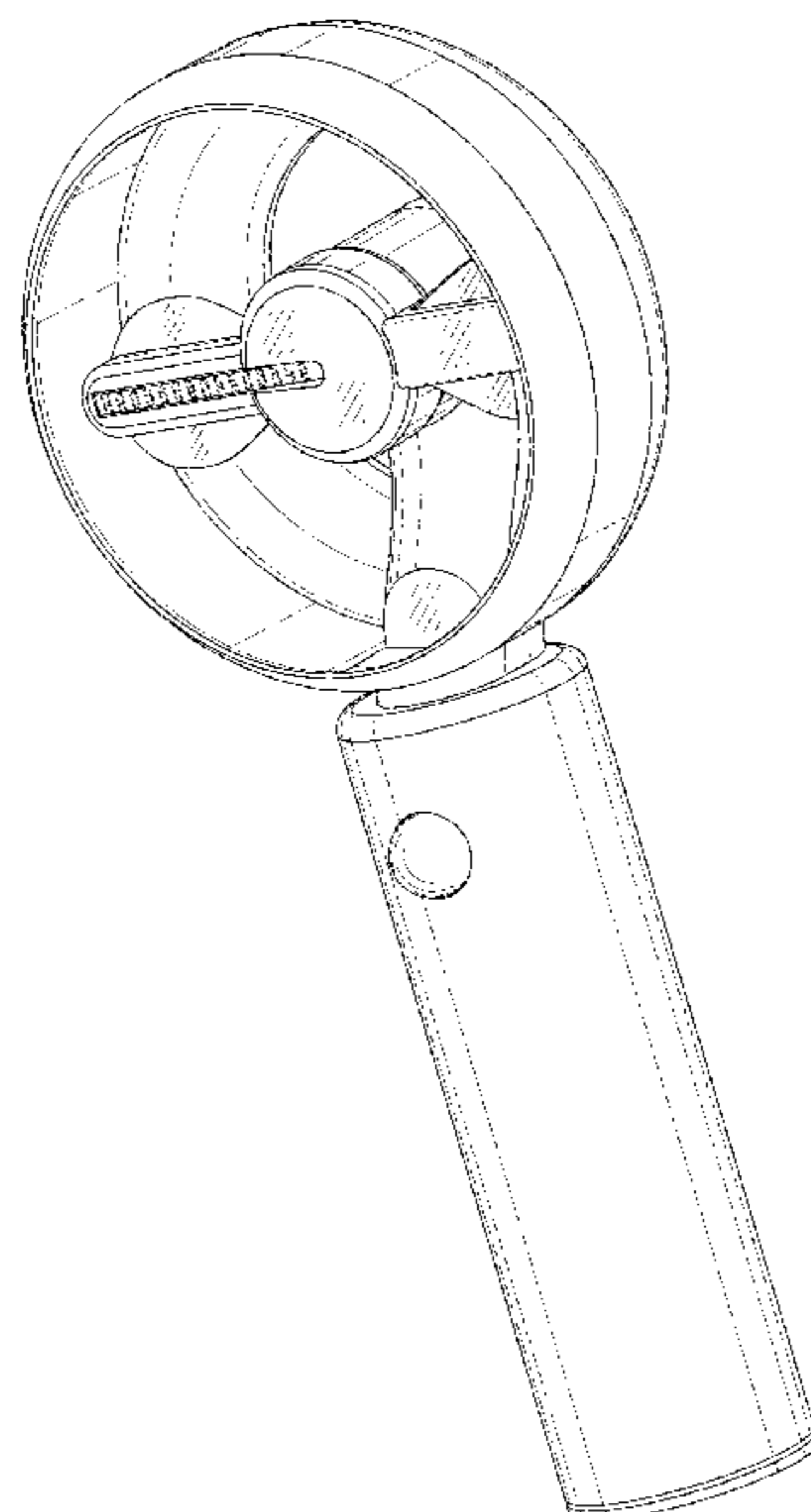
(57) **CLAIM**

The ornamental design for a novelty fan, as shown and described.

DESCRIPTION

FIG. 1 is a perspective view of a novelty fan incorporating the design of the present invention;
FIG. 2 is a front view of the novelty fan of FIG. 1;
FIG. 3 is a rear view of the novelty fan of FIG. 1;
FIG. 4 is a top view of the novelty fan of FIG. 1;
FIG. 5 is a bottom view of the novelty fan of FIG. 1;
FIG. 6 is a left side view of the novelty fan of FIG. 1; and,
FIG. 7 is a right side view of the novelty fan of FIG. 1.

1 Claim, 6 Drawing Sheets



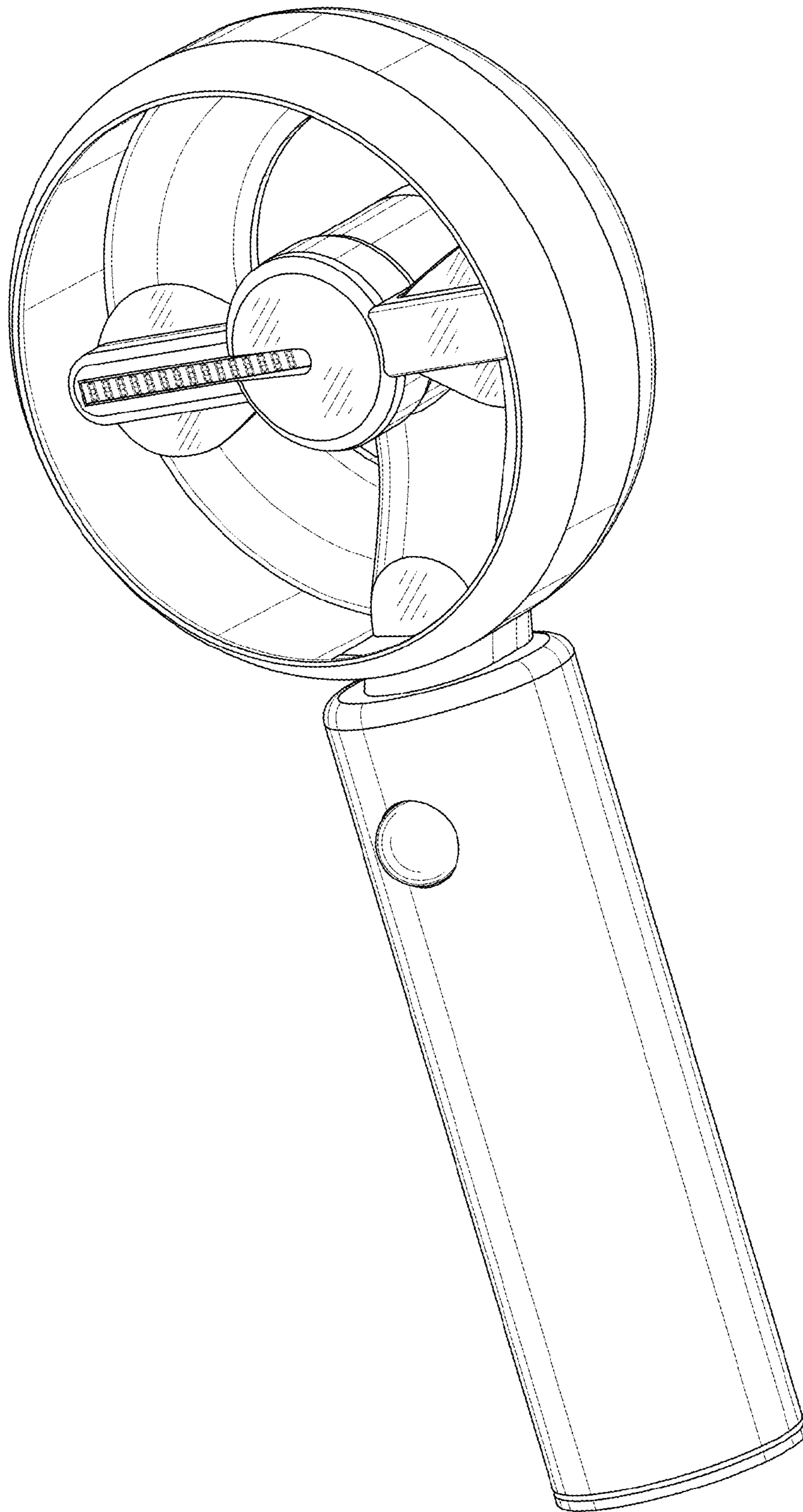


FIG. 1

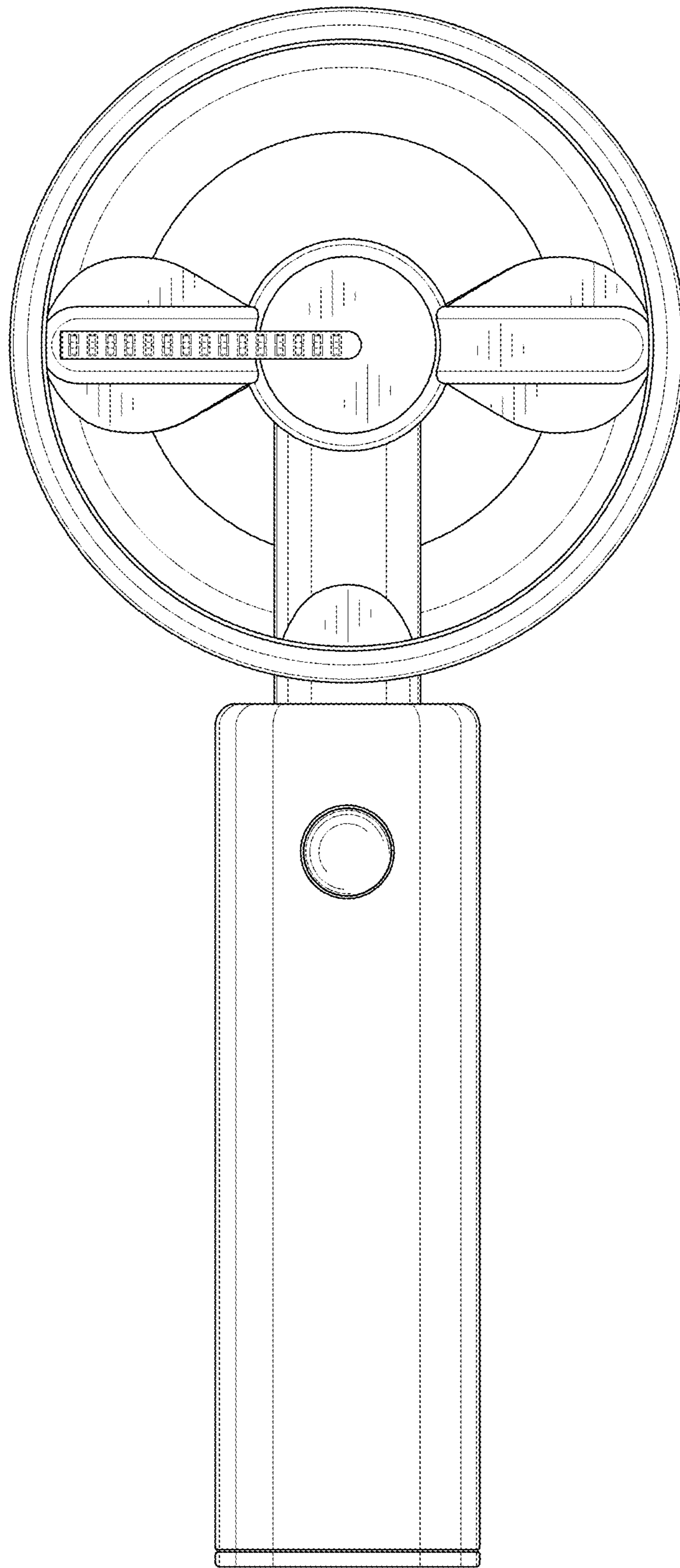


FIG. 2

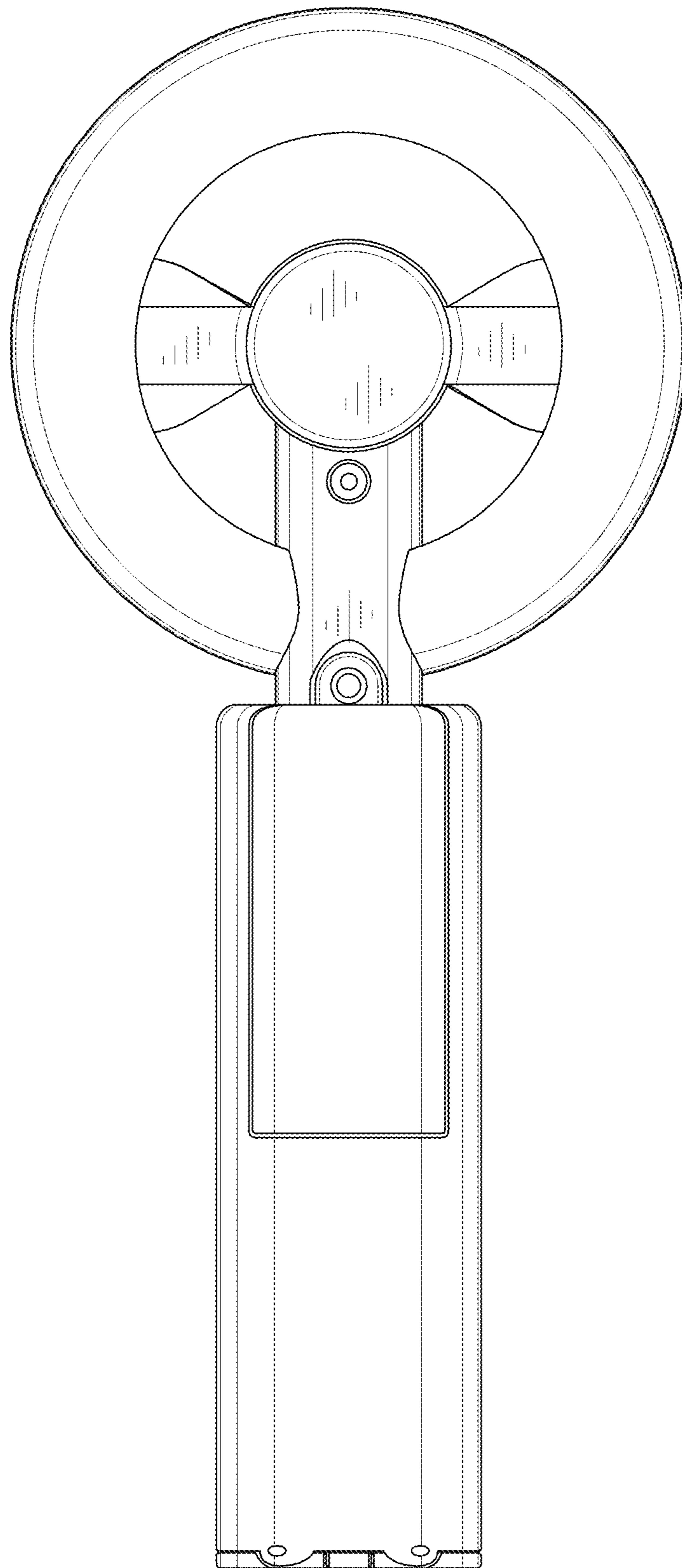


FIG. 3

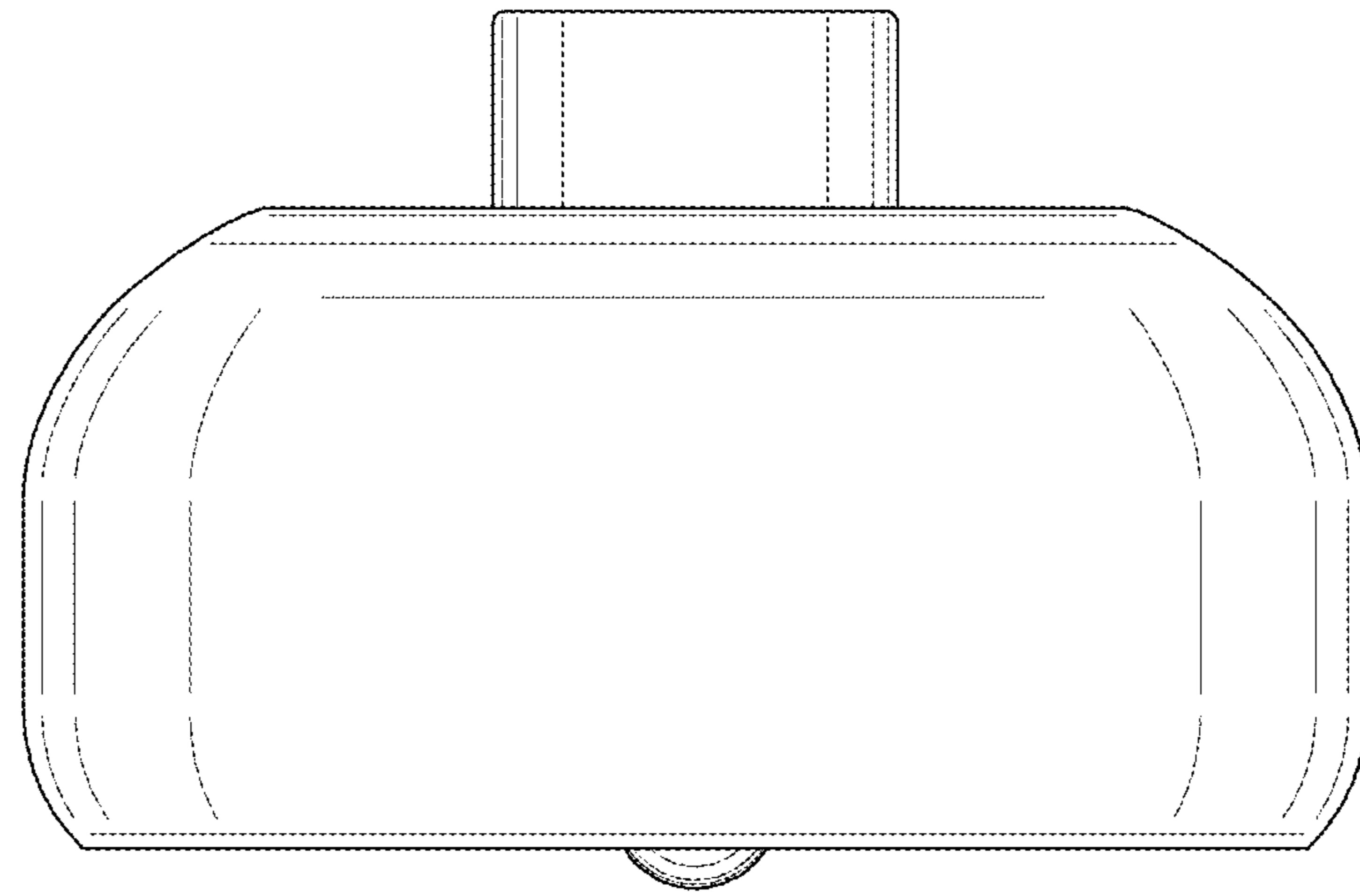


FIG. 4

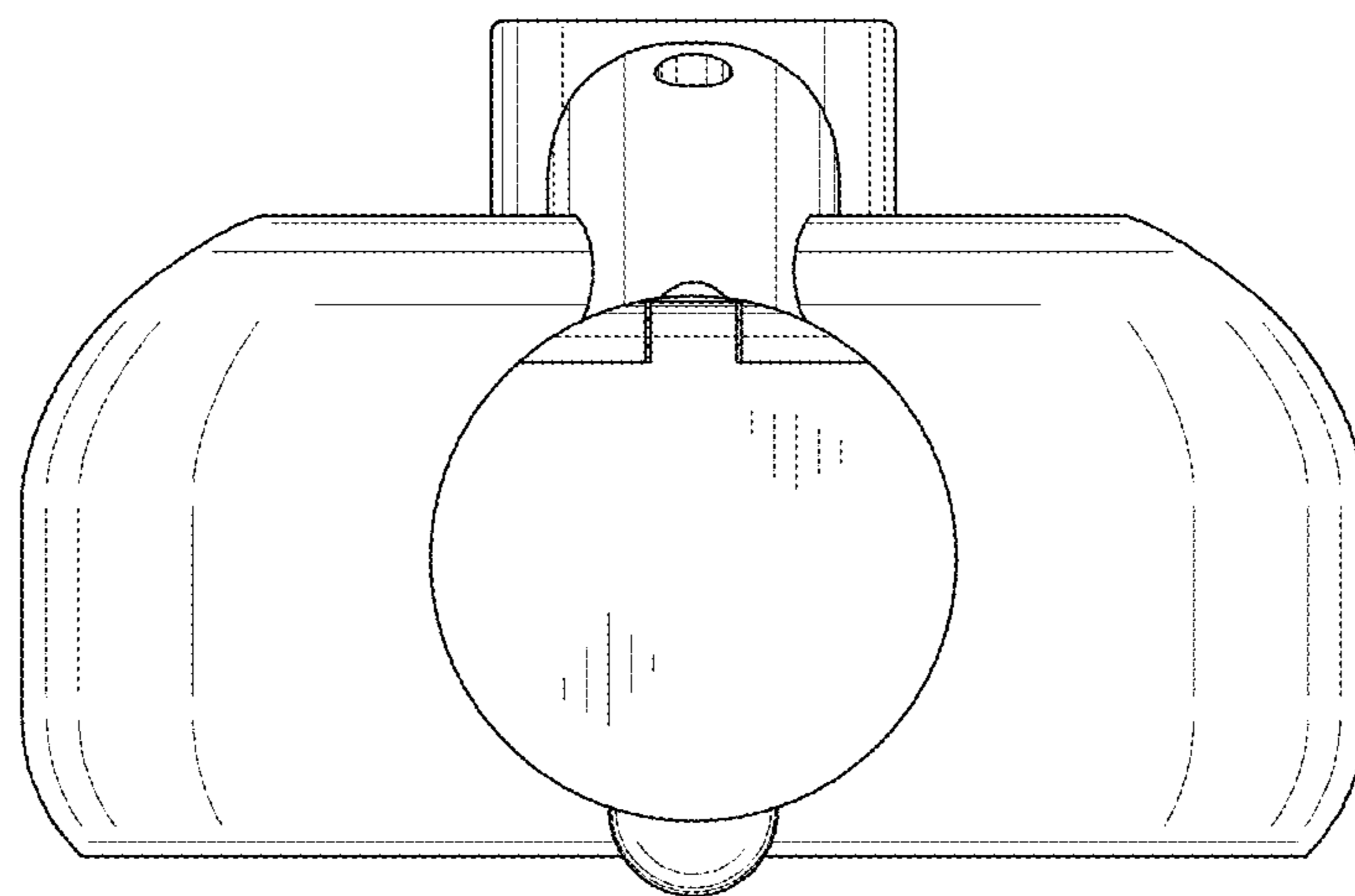


FIG. 5

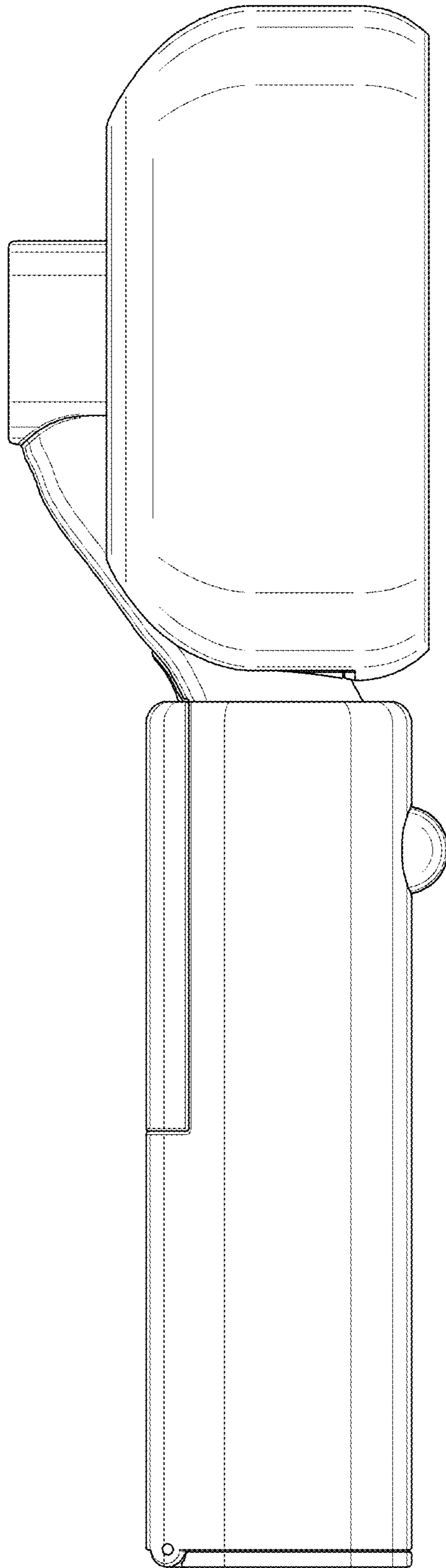


FIG. 6

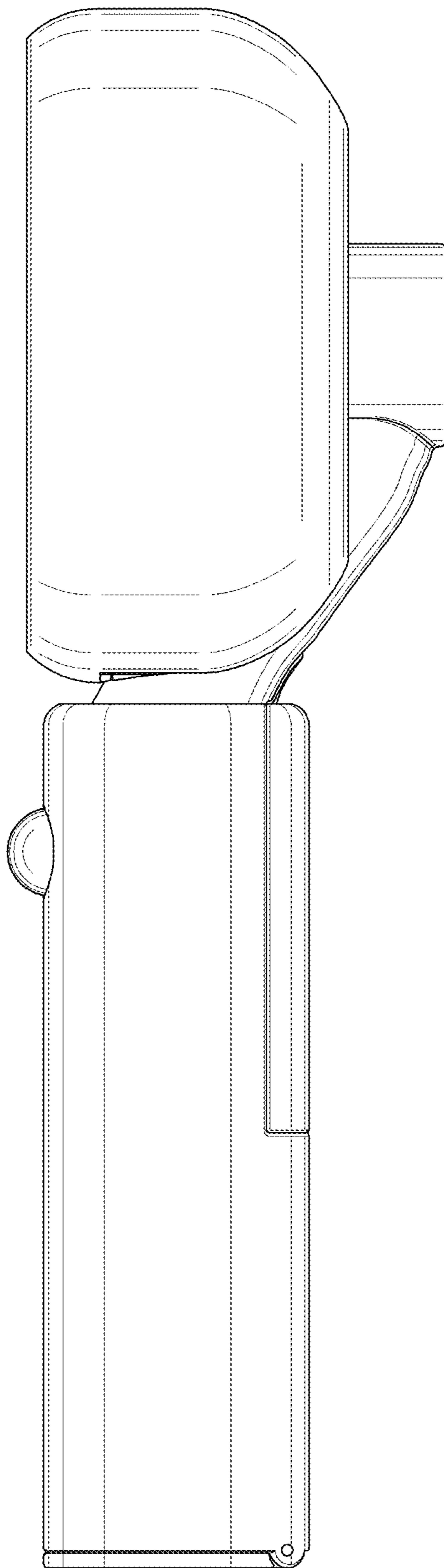


FIG. 7