



US00D88552S

(12) **United States Design Patent**
Holmes

(10) **Patent No.:** **US D885,552 S**

(45) **Date of Patent:** **** May 26, 2020**

(54) **CEILING FAN**

(71) Applicant: **Hunter Fan Company**, Memphis, TN (US)

(72) Inventor: **Christine Holmes**, Memphis, TN (US)

(73) Assignee: **Hunter Fan Company**, Memphis, TN (US)

(**) Term: **15 Years**

(21) Appl. No.: **29/708,745**

(22) Filed: **Oct. 9, 2019**

Related U.S. Application Data

(63) Continuation of application No. 29/582,627, filed on Oct. 28, 2016.

(51) **LOC (12) Cl.** **23-04**

(52) **U.S. Cl.**
USPC **D23/377**

(58) **Field of Classification Search**
USPC D23/370, 377, 379, 385, 411; D26/59
CPC F04D 25/088; F21V 33/0096
See application file for complete search history.

(56) **References Cited**

U.S. PATENT DOCUMENTS

D297,360 S	*	8/1988	Cheslock	D23/379
D363,362 S		10/1995	Davis, Sr.		
D420,120 S		2/2000	Evans		
D449,396 S		10/2001	Campbell		
D483,463 S		12/2003	Tai		
D485,349 S		1/2004	Burns		
D530,440 S		10/2006	Wang		
D532,104 S		11/2006	Pickett		
D535,421 S		1/2007	Pickett		
D549,319 S		8/2007	Shurtleff		
D549,813 S		8/2007	Gajewski		
D556,939 S		12/2007	Gajewski		

D557,787 S	12/2007	Gajewski
D567,421 S	4/2008	Pan
D570,022 S	5/2008	Ertze
D573,245 S	7/2008	Pan
D594,540 S	6/2009	Pan
D627,048 S	11/2010	Shurtleff
D627,054 S	11/2010	Pan
D627,870 S	11/2010	Wang
D632,382 S	2/2011	Pan
D671,202 S	11/2012	Searle

(Continued)

OTHER PUBLICATIONS

<http://www.fanimation.com/products/index.php/fans/distinction-dc.html>, Item Specification for Fanimation Distinction DC, Accessed Oct. 27, 2016.

(Continued)

Primary Examiner — Janice Hallmark

(74) *Attorney, Agent, or Firm* — McGarry Bair PC

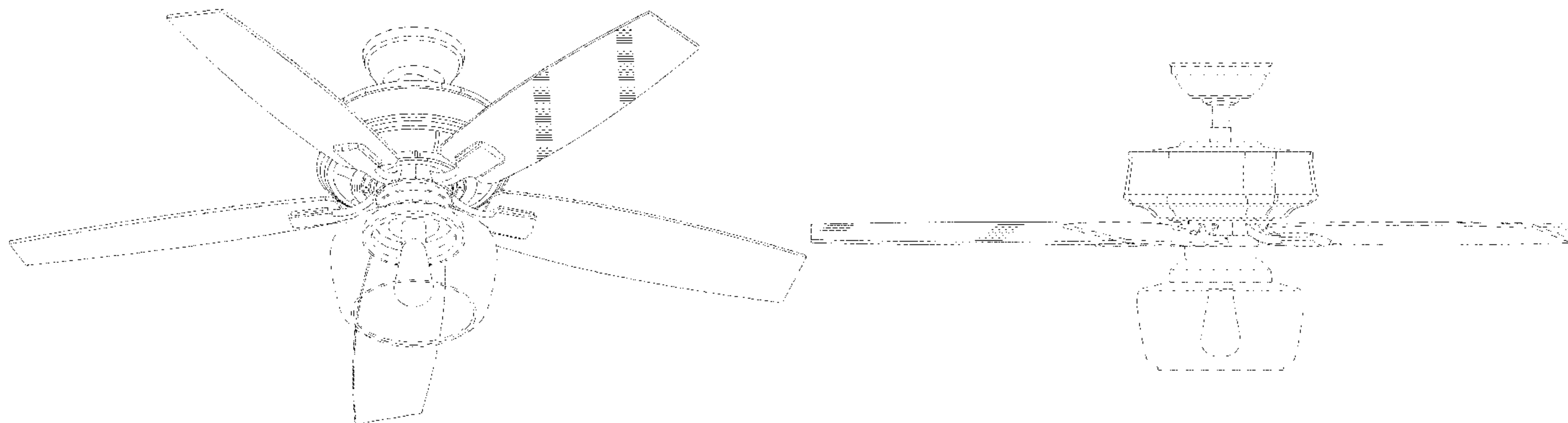
(57) **CLAIM**

The ornamental design for a ceiling fan, as shown and described.

DESCRIPTION

FIG. 1 is a top perspective view of a ceiling fan according to an embodiment of the invention;
FIG. 2 is a bottom perspective view of the ceiling fan of FIG. 1;
FIG. 3 is a top view of the ceiling fan of FIG. 1;
FIG. 4 is a bottom view of the ceiling fan of FIG. 1;
FIG. 5 is a front side view of the ceiling fan of FIG. 1;
FIG. 6 is a rear side view of the ceiling fan of FIG. 1;
FIG. 7 is a right side view of the ceiling fan of FIG. 1; and,
FIG. 8 is a rear side view of the ceiling fan of FIG. 1.
Portions of the ceiling fan shown in broken lines form no part of the claimed design.

1 Claim, 8 Drawing Sheets



(56)

References Cited

U.S. PATENT DOCUMENTS

D671,631	S	11/2012	Searle	
D706,406	S	6/2014	Wang	
D707,344	S	6/2014	Wang	
D710,489	S	8/2014	Shurtleff	
D745,655	S	12/2015	Pickett et al.	
D804,632	S *	12/2017	Holmes	D23/377
D806,852	S *	1/2018	Holmes	D23/377
D810,912	S *	2/2018	McRoberts	D23/377
D810,918	S *	2/2018	Holmes	D23/377
D827,805	S *	9/2018	Biancuzzo	D23/377
D827,806	S *	9/2018	Biancuzzo	D23/377
D834,173	S *	11/2018	Holmes	D23/411
D840,018	S *	2/2019	Badarello	D23/411
D861,153	S *	9/2019	Chen	D23/377
2017/0045197	A1	2/2017	Rossi	

OTHER PUBLICATIONS

http://www.cens.com/cens/html/en/product/product_main_77129.html, Item Specification for Aquarius-champagne light series, Accessed Oct. 27, 2016.

<http://www.hunterfan.com/ceiling-fans/estate-winds>, Item Specification for Hunter Estate Winds—56" Ceiling Fan, Accessed Oct. 27, 2016.

<http://www.kingoffans.com/#/products>, Item Specification for Hampton Bay Carlisle 52" Ceiling Fan, Accessed Oct. 27, 2016.

<http://ceilingfans.emerson.com/shop/en/fan/veloce-fan-p-cf230>, Item Specification for Emerson Veloce 46" Ceiling Fan, Accessed Oct. 27, 2016.

<http://www.craftmade.com/Craftmade-PUH52OB-Oiled-Bronze-Flush-Mount-Ceiling-Fan.HTM>, Item Specification for Craftmade PUH52OB—Pro Universal Hugger, Accessed Oct. 27, 2016.

* cited by examiner

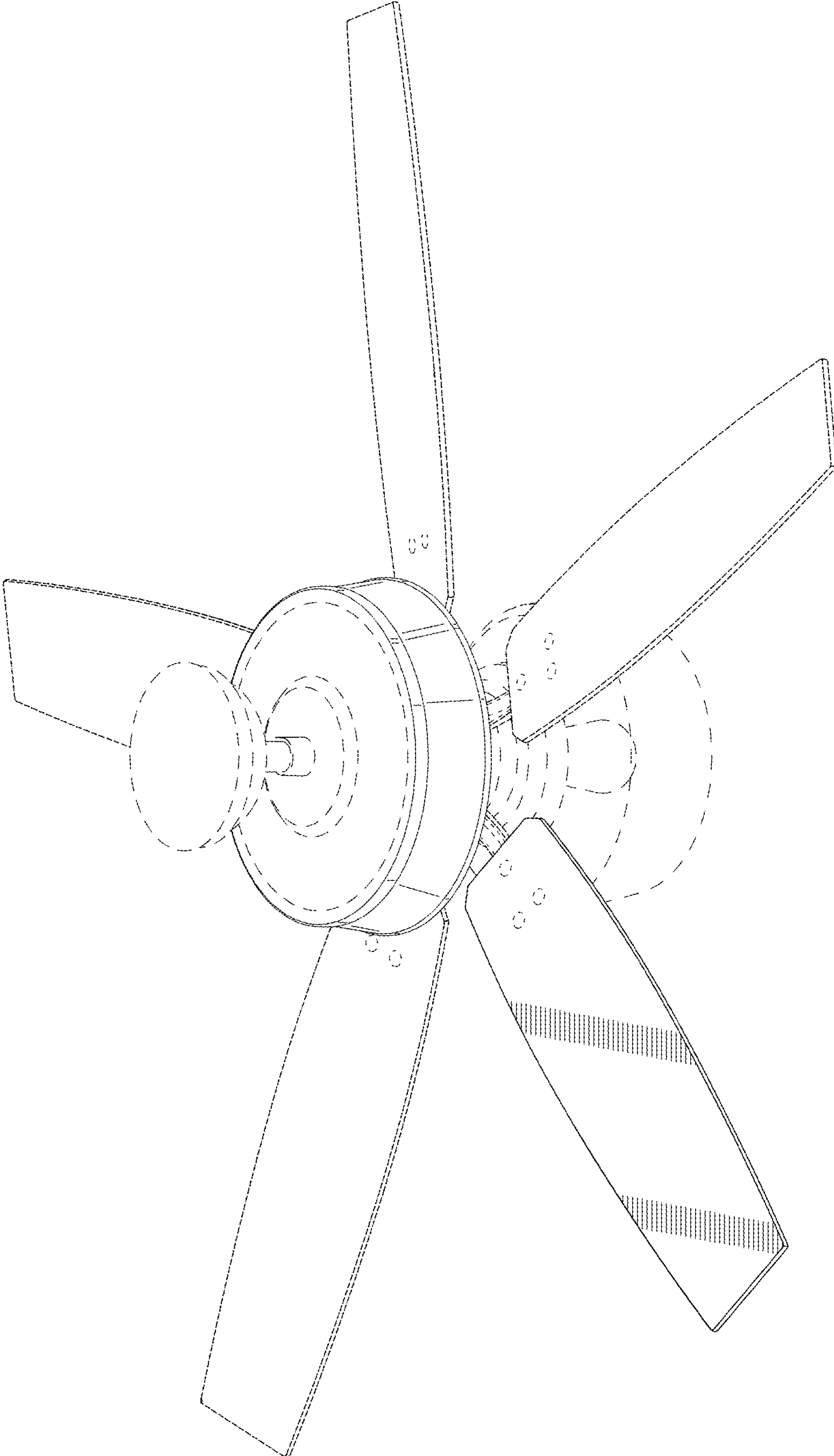


FIG.1

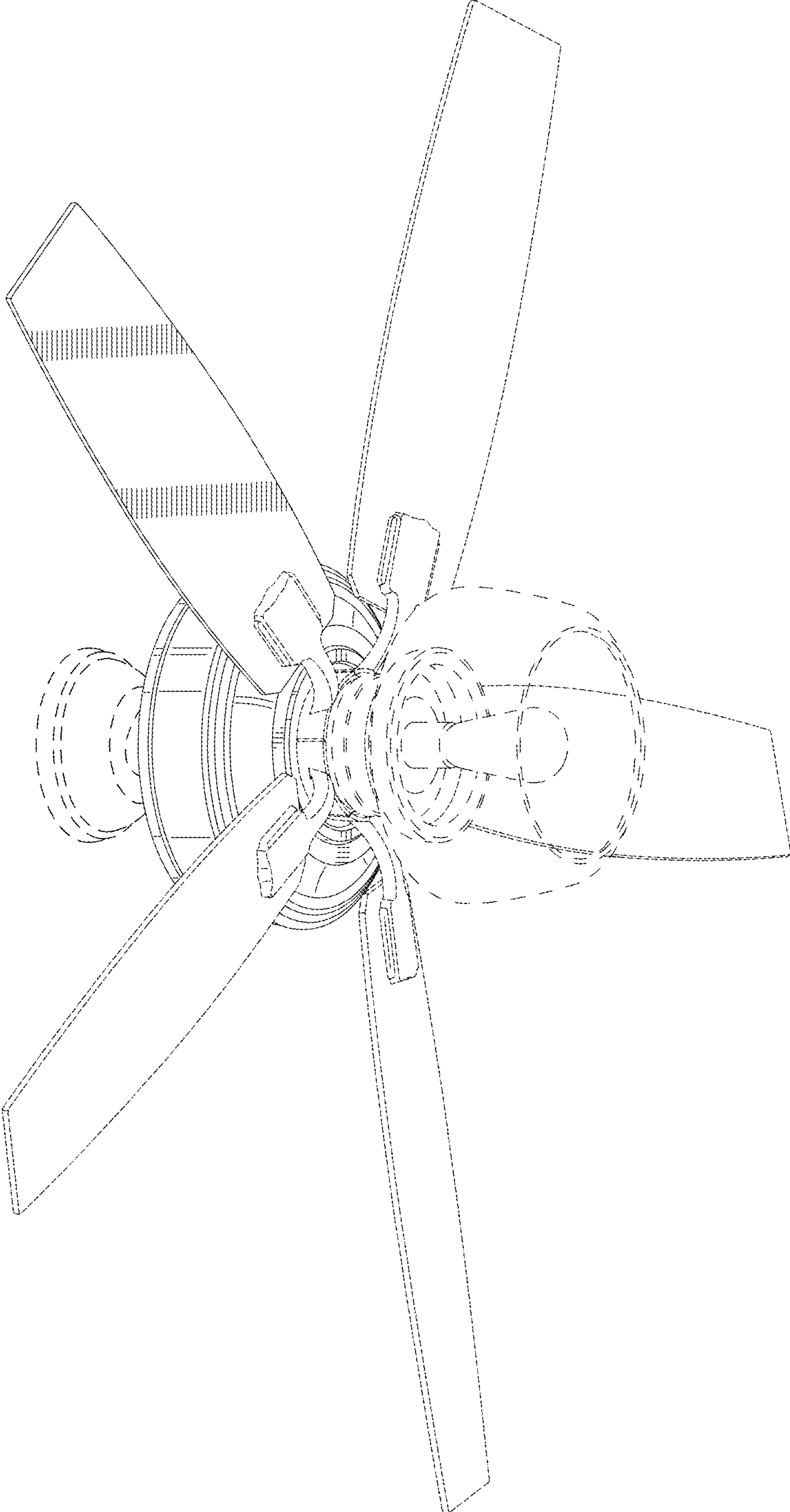


FIG.2

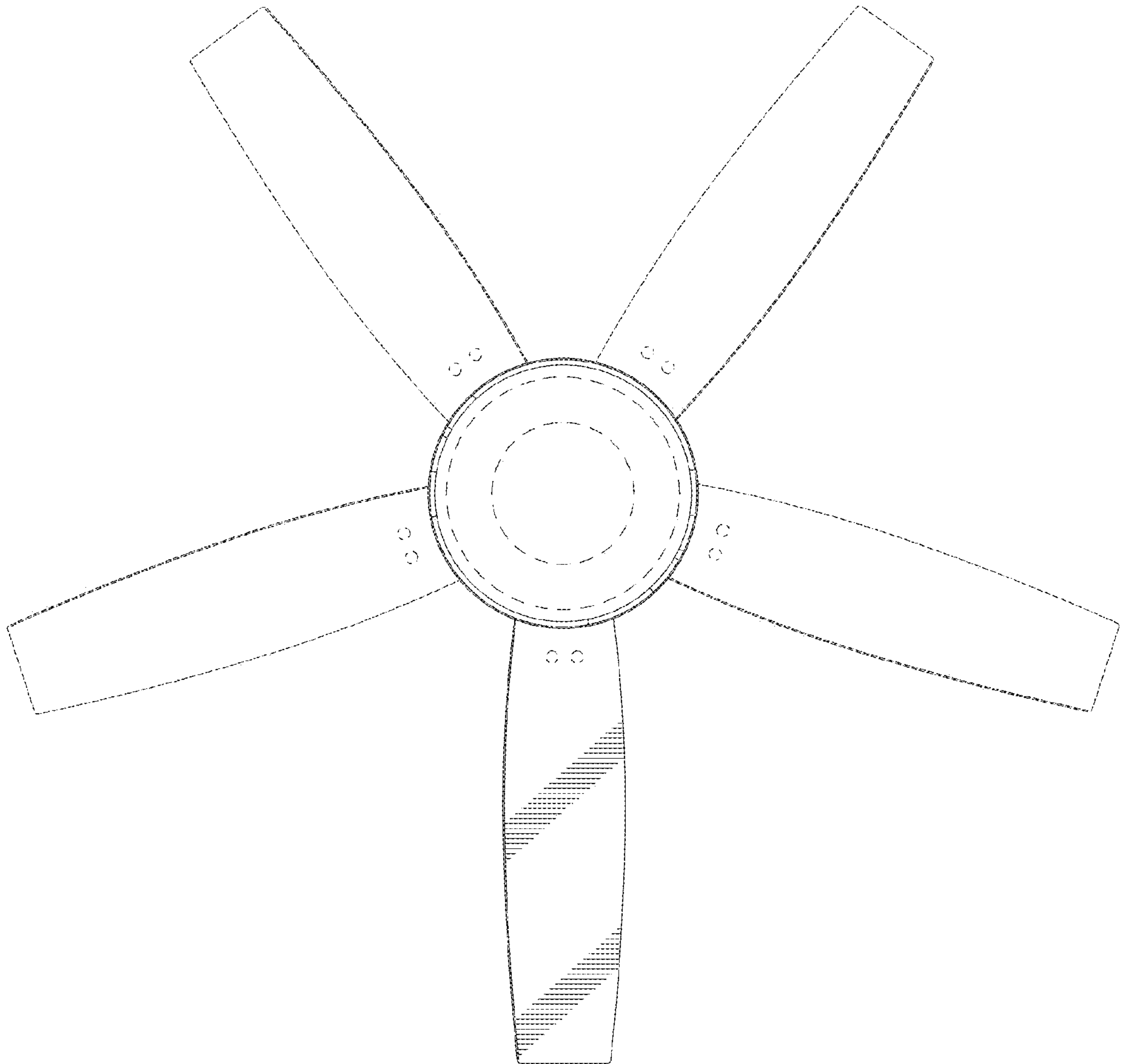


FIG. 3

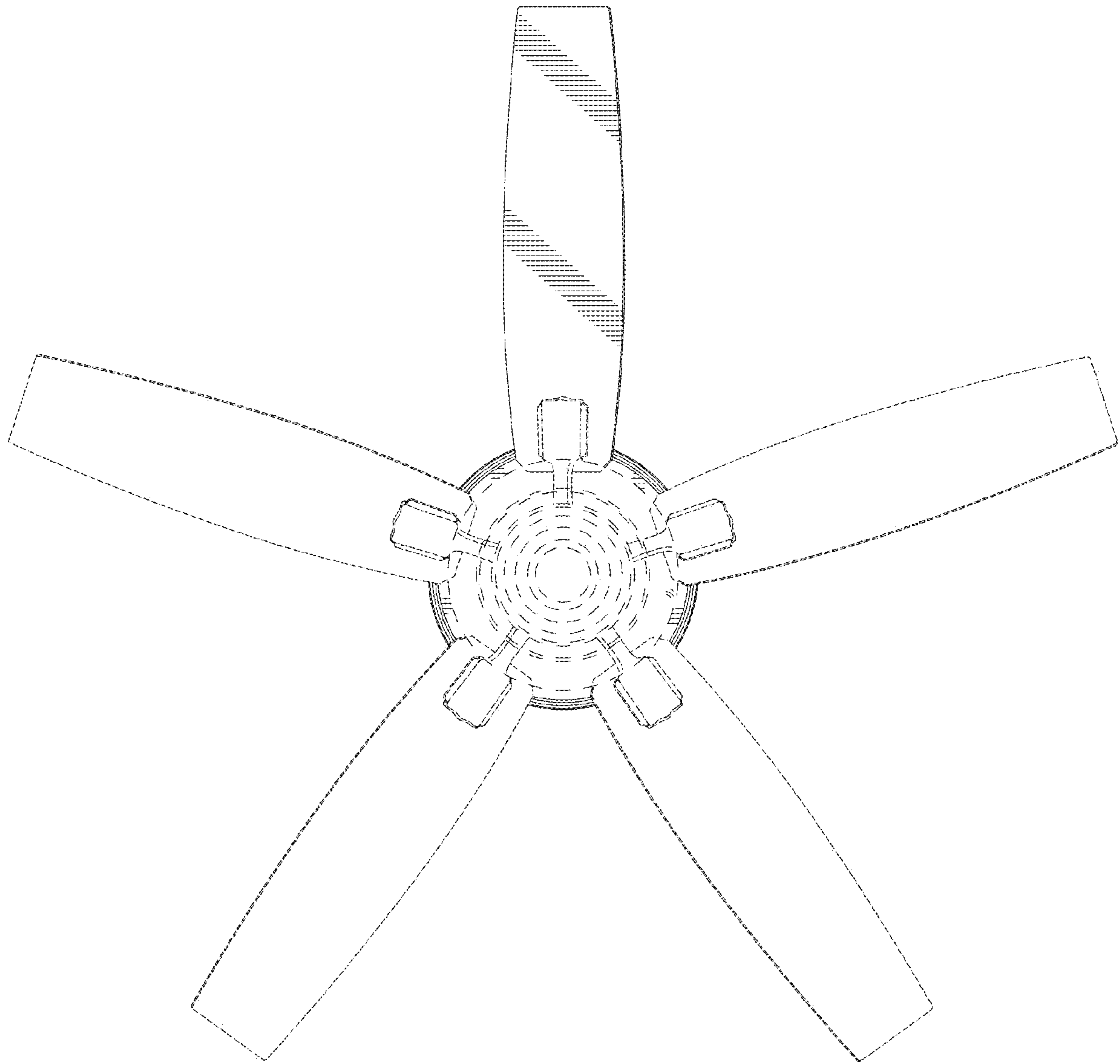


FIG. 4

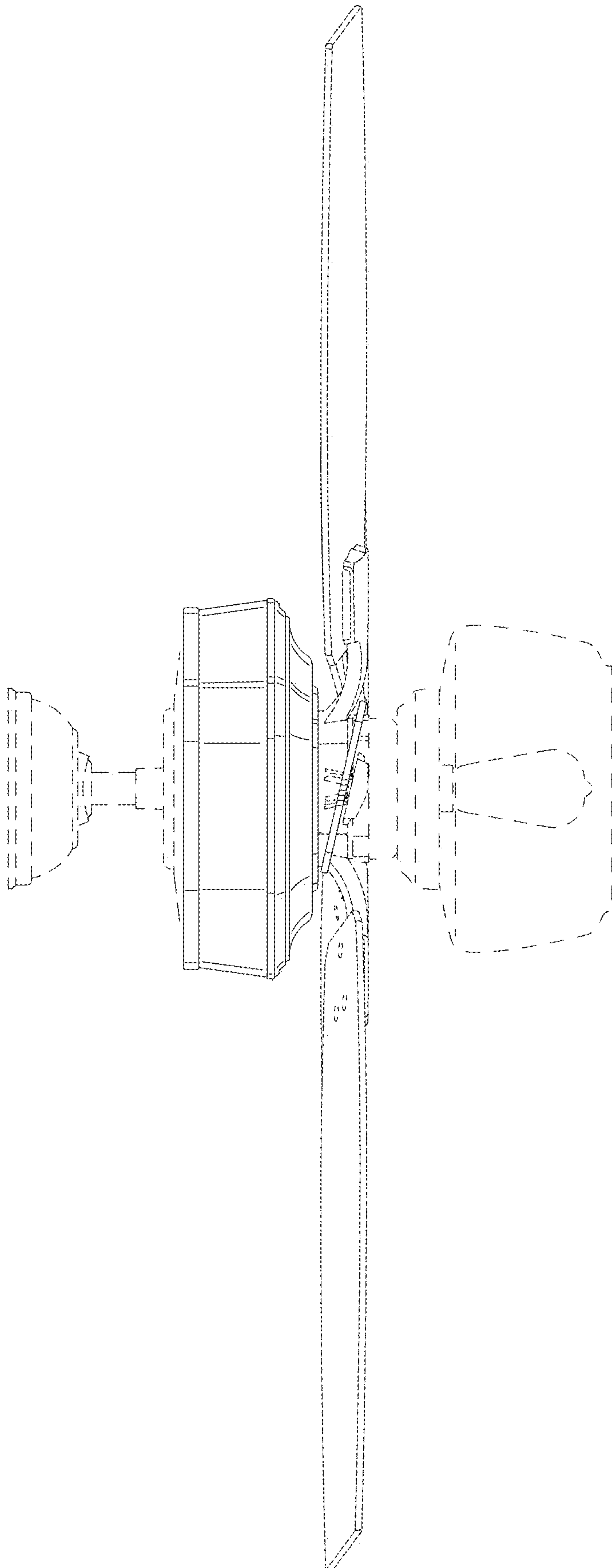


FIG. 5

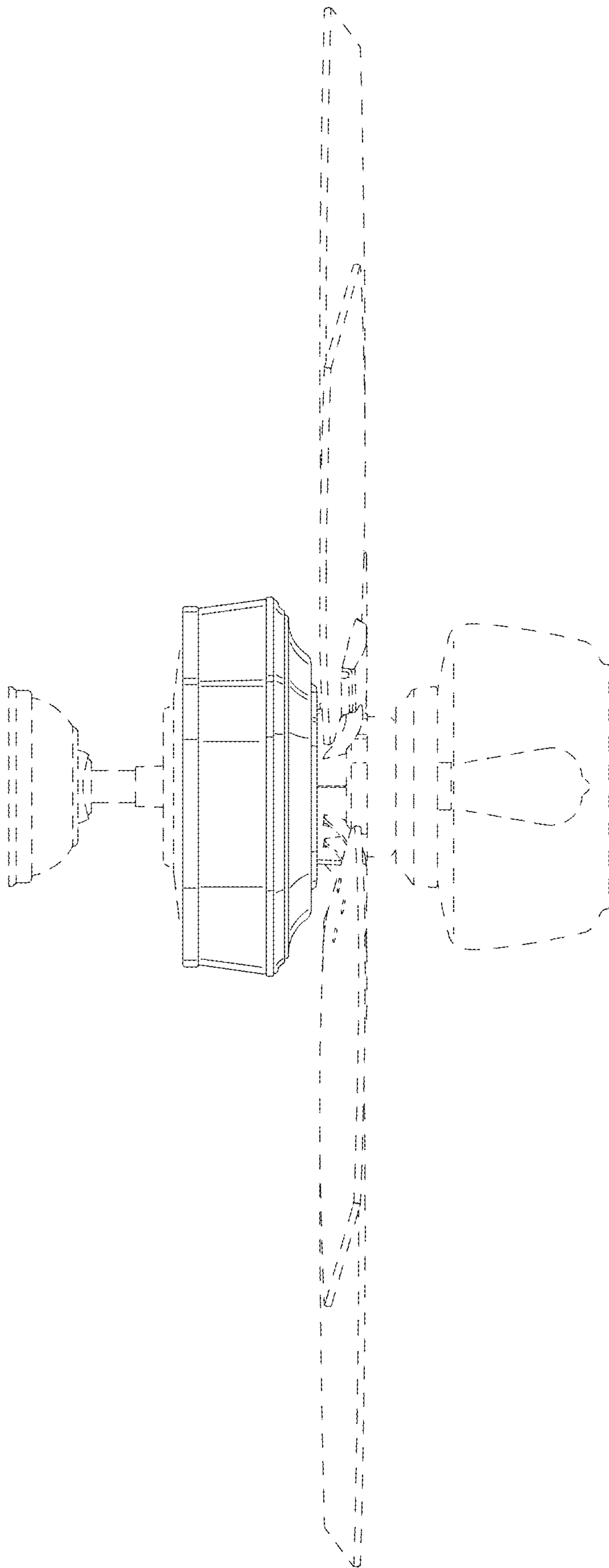


FIG.6

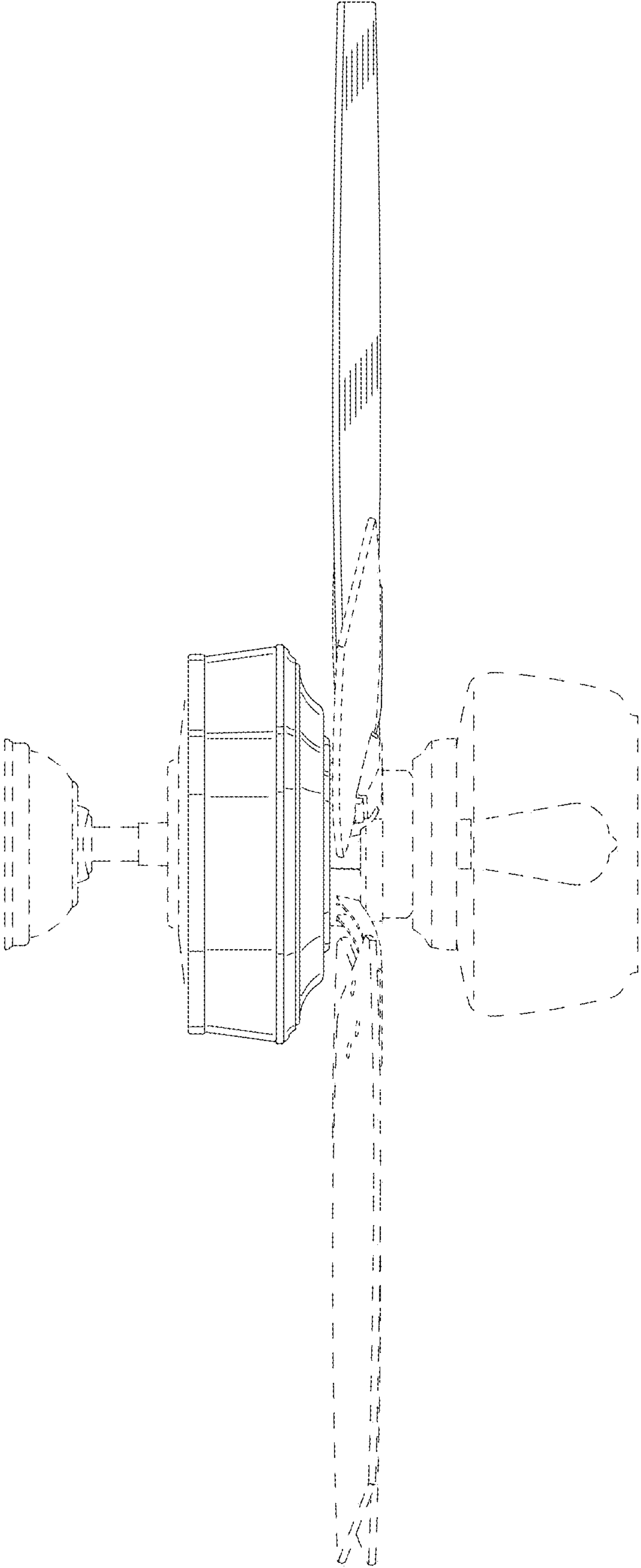


FIG.7

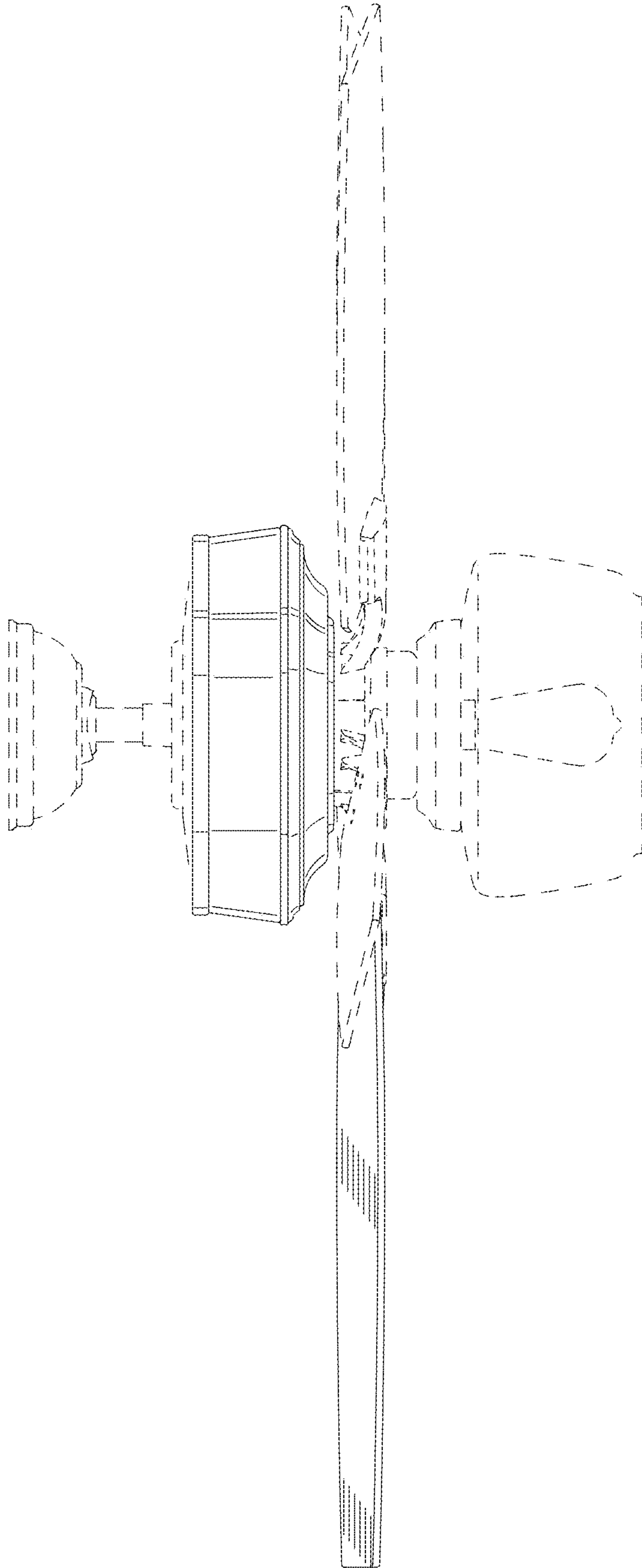


FIG. 8