



US00D885551S

(12) **United States Design Patent** (10) **Patent No.:** **US D885,551 S**
McRoberts (45) **Date of Patent:** **** May 26, 2020**

(54) **CEILING FAN**
(71) Applicant: **HUNTER FAN COMPANY**,
Memphis, TN (US)
(72) Inventor: **Claire Bernice McRoberts**, Memphis,
TN (US)
(73) Assignee: **Hunter Fan Company**, Memphis, TN
(US)
(**) Term: **15 Years**
(21) Appl. No.: **29/634,429**
(22) Filed: **Jan. 22, 2018**
(51) **LOC (12) Cl.** **23-04**
(52) **U.S. Cl.**
USPC **D23/377**
(58) **Field of Classification Search**
USPC D26/59; D23/370, 377-382, 411-414
CPC F04D 25/088; F04D 29/38; F21V 21/03;
B63H 1/16
See application file for complete search history.

D785,155 S 4/2017 Wang
D804,630 S * 12/2017 Holmes D23/377
D804,639 S * 12/2017 Guthrie D23/377
D805,174 S * 12/2017 Guthrie D23/377
D805,175 S * 12/2017 Hagggar D23/377
D805,625 S * 12/2017 Hagggar D23/377
D809,644 S * 2/2018 Holmes D23/377
D810,917 S * 2/2018 Holmes D23/377
D810,920 S * 2/2018 Hagggar D23/377
D849,224 S * 5/2019 Gardner D23/377
D855,172 S * 7/2019 Holmes D23/411
D855,789 S * 8/2019 Hagggar D23/377
D866,746 S * 11/2019 Holmes D23/411

* cited by examiner

Primary Examiner — Janice Hallmark

(74) *Attorney, Agent, or Firm* — McGarry Bair PC

(57) **CLAIM**

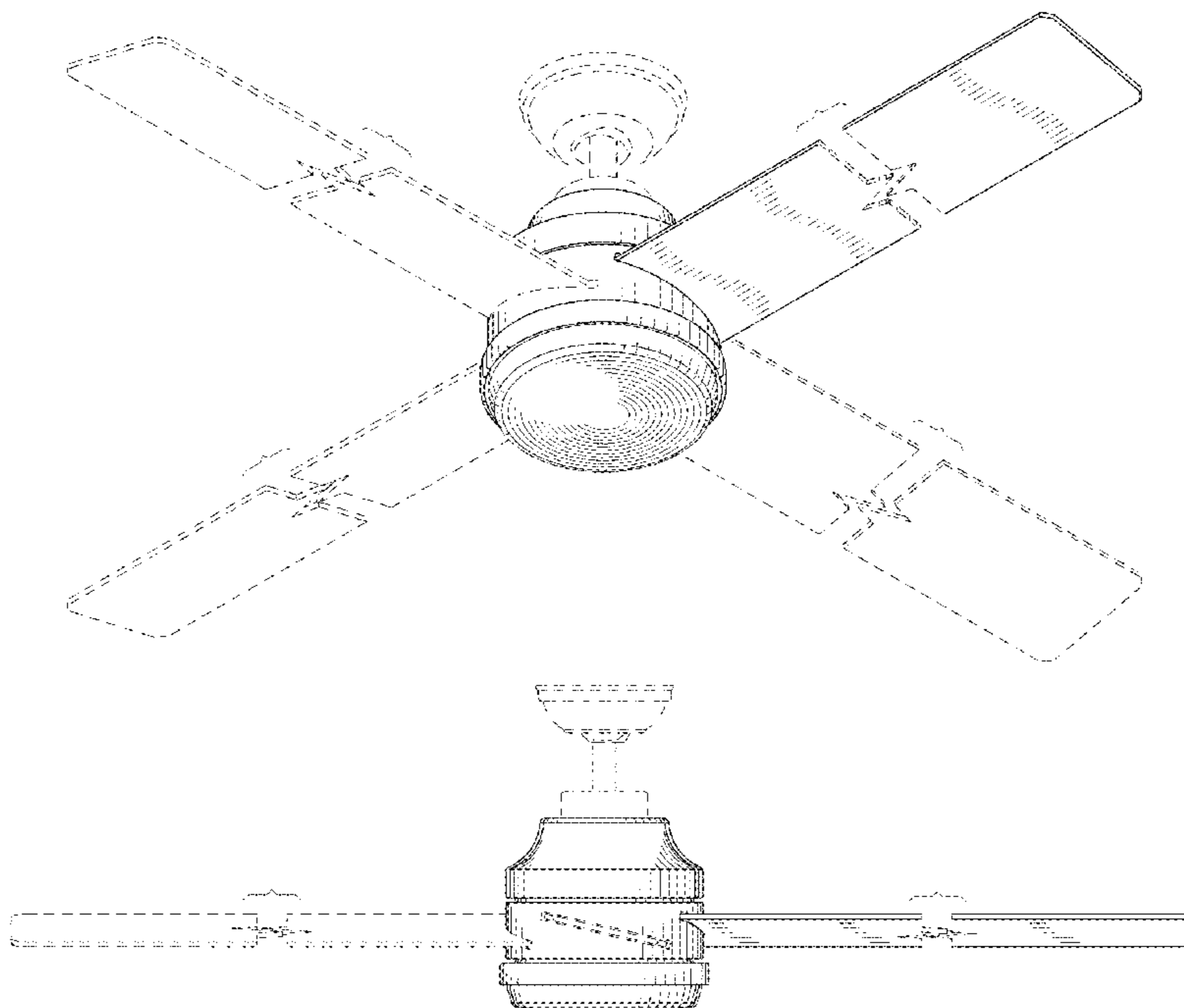
The ornamental design for a ceiling fan, as shown and described.

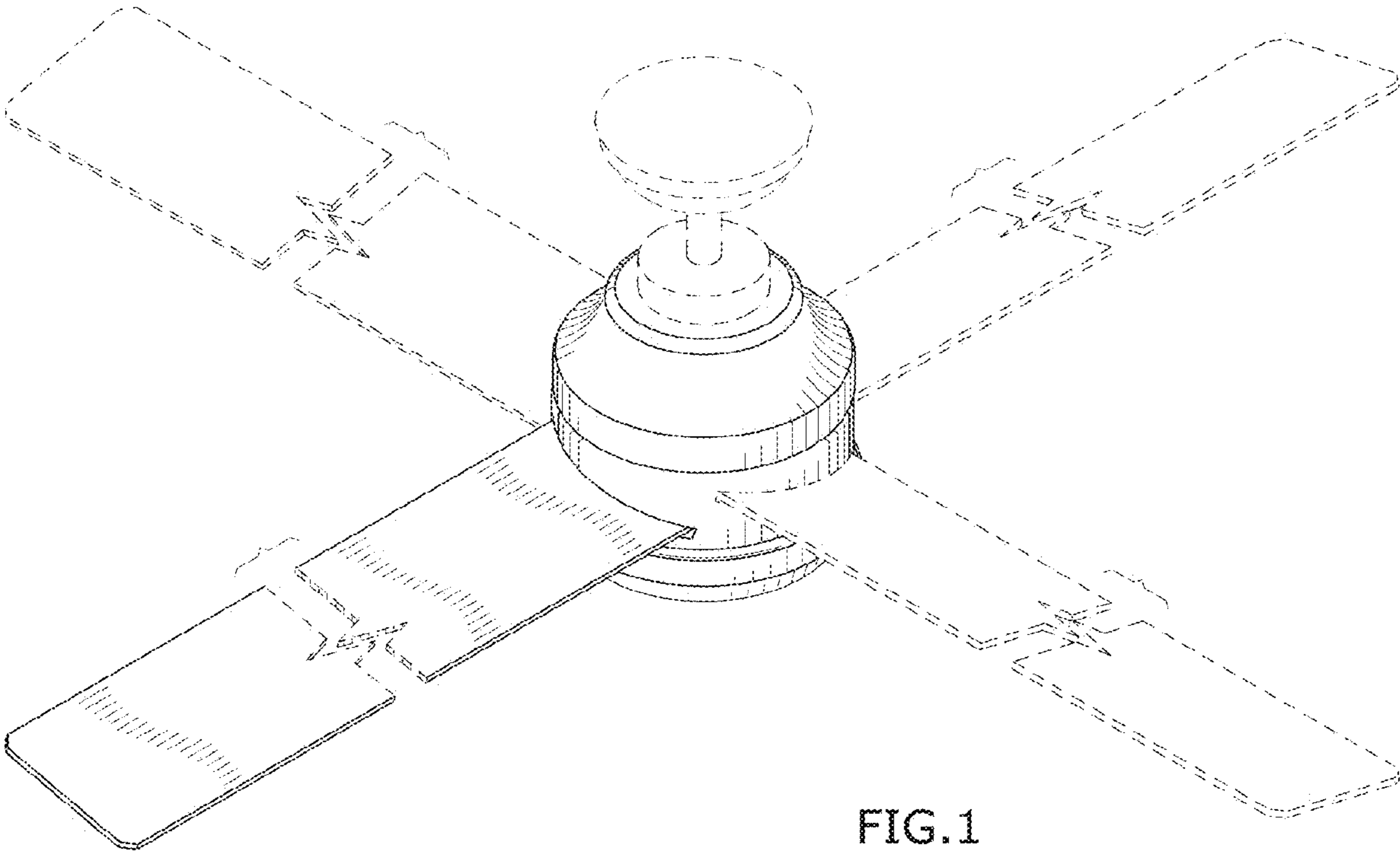
DESCRIPTION

FIG. 1 is a top perspective view of a ceiling fan according to a first embodiment, showing my new design;
FIG. 2 is a bottom perspective view of the ceiling fan of FIG. 1;
FIG. 3 is a top view of the ceiling fan of FIG. 1;
FIG. 4 is a bottom view of the ceiling fan of FIG. 1;
FIG. 5 is a front view of the ceiling fan of FIG. 1;
FIG. 6 is a rear view of the ceiling fan of FIG. 1;
FIG. 7 is a right side view of the ceiling of FIG. 1; and,
FIG. 8 is a left side view of the ceiling fan of FIG. 1.
The drawings include break lines that indicate any portion of the article beyond what is shown forms no part of the claimed design.

1 Claim, 8 Drawing Sheets

(56) **References Cited**
U.S. PATENT DOCUMENTS
D430,280 S 8/2000 Huang
D627,873 S 11/2010 Pan
D627,874 S 11/2010 Pan
D632,384 S 2/2011 Pan
D707,336 S 6/2014 Pan
D743,528 S 11/2015 Wang
D744,634 S 12/2015 Wang
D771,787 S 11/2016 Wang
D782,025 S 3/2017 Pickett
D782,644 S 3/2017 Wang
D783,796 S 4/2017 Badarello et al.





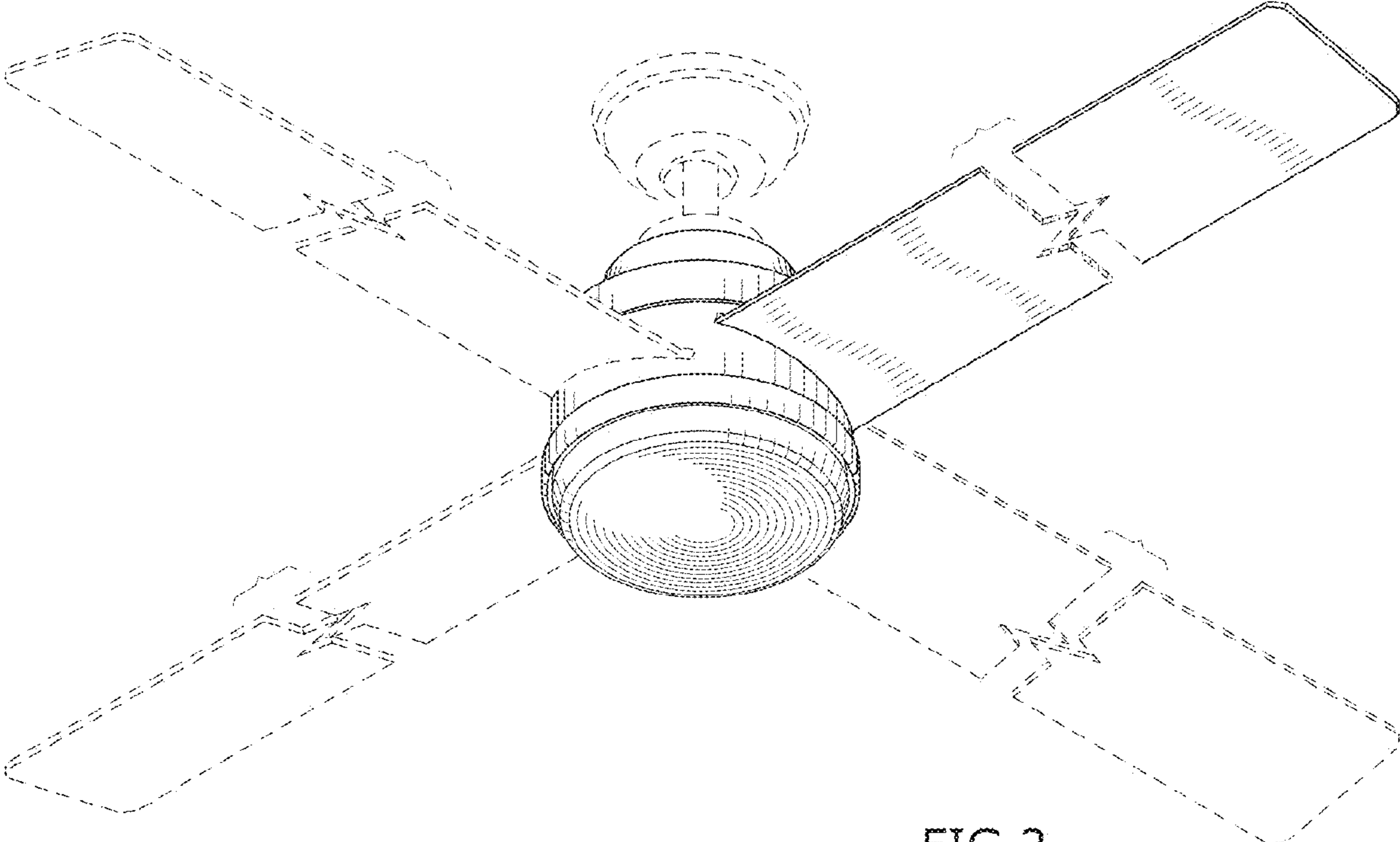


FIG.2

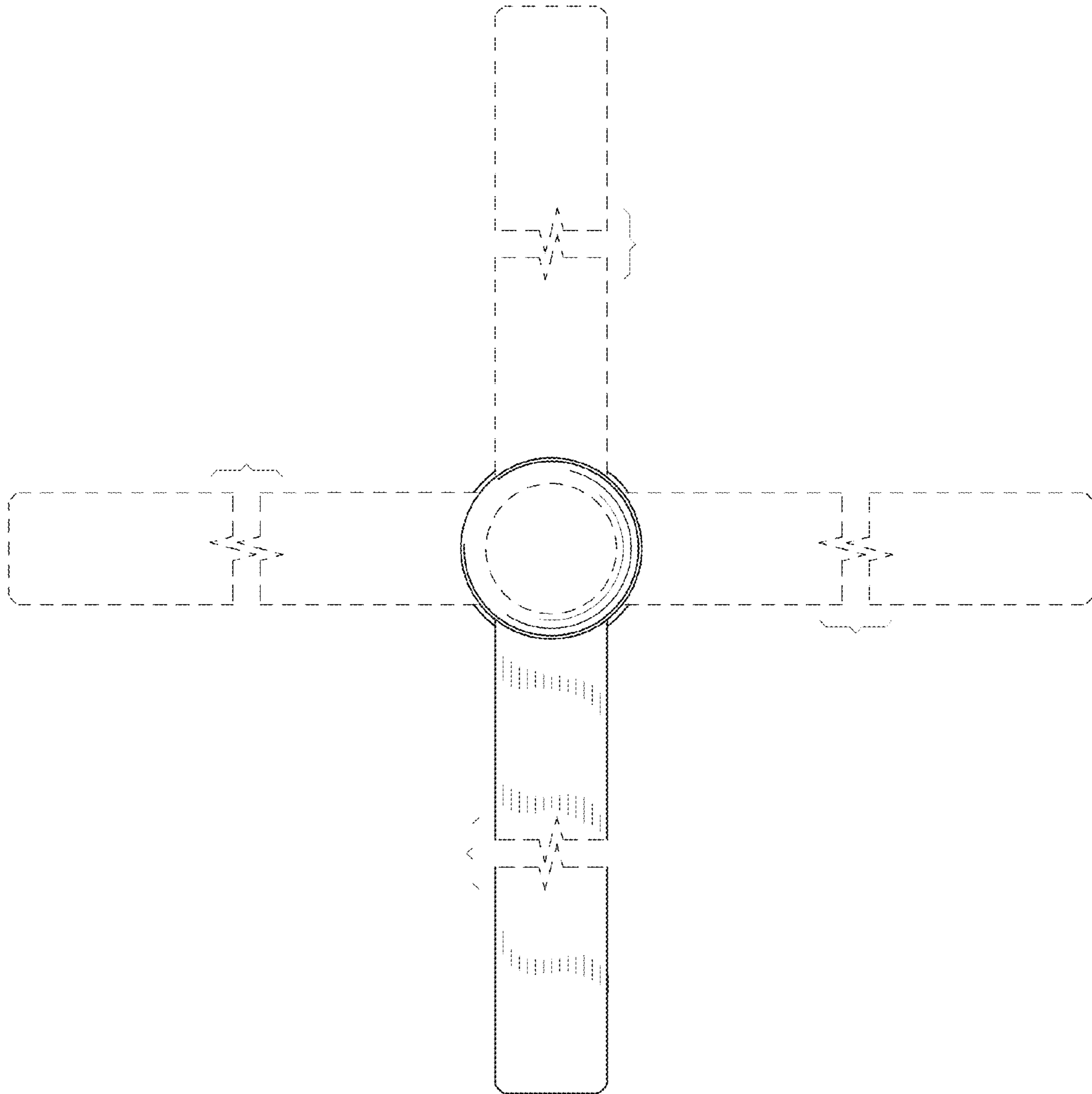


FIG.3

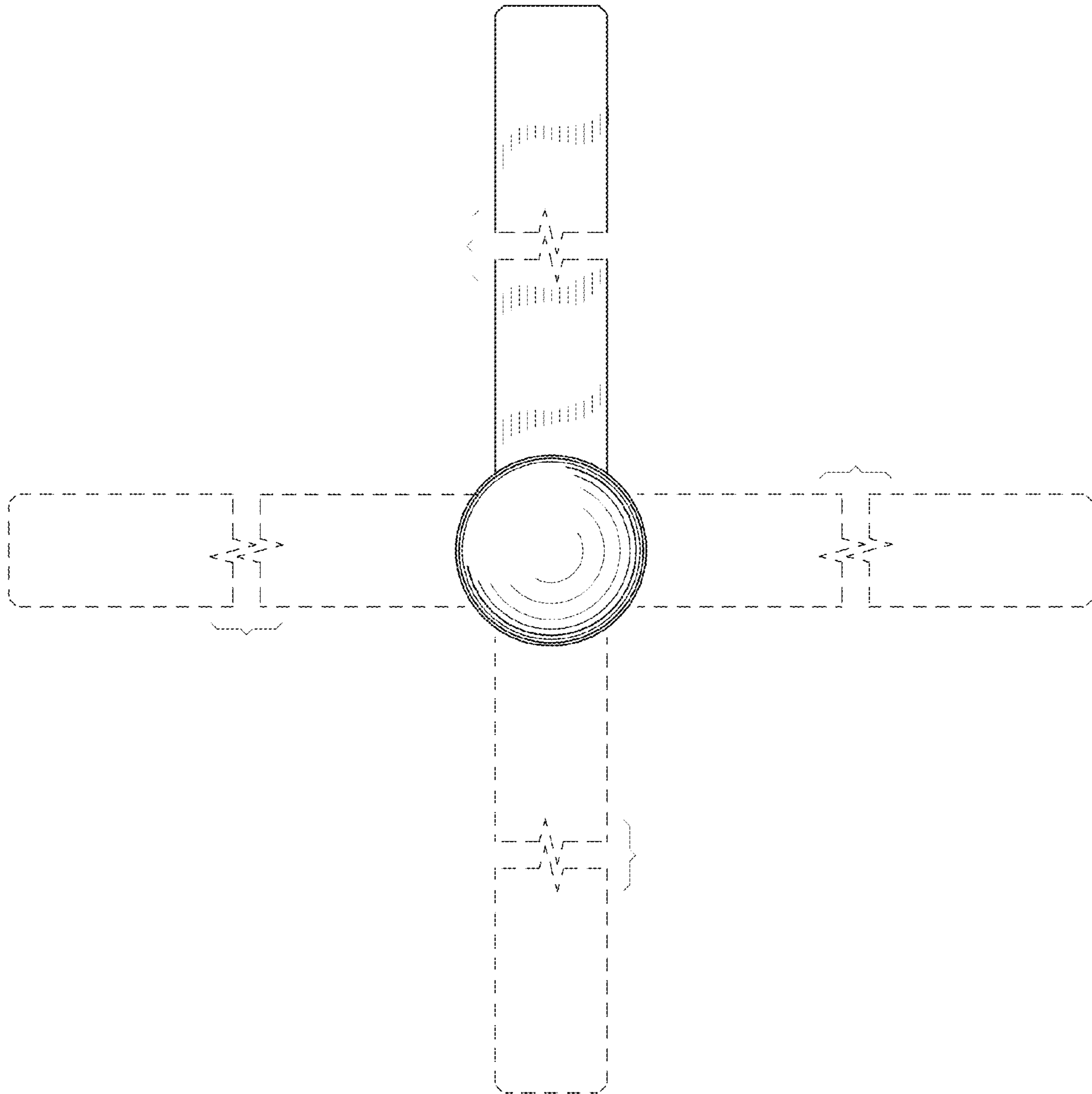


FIG.4

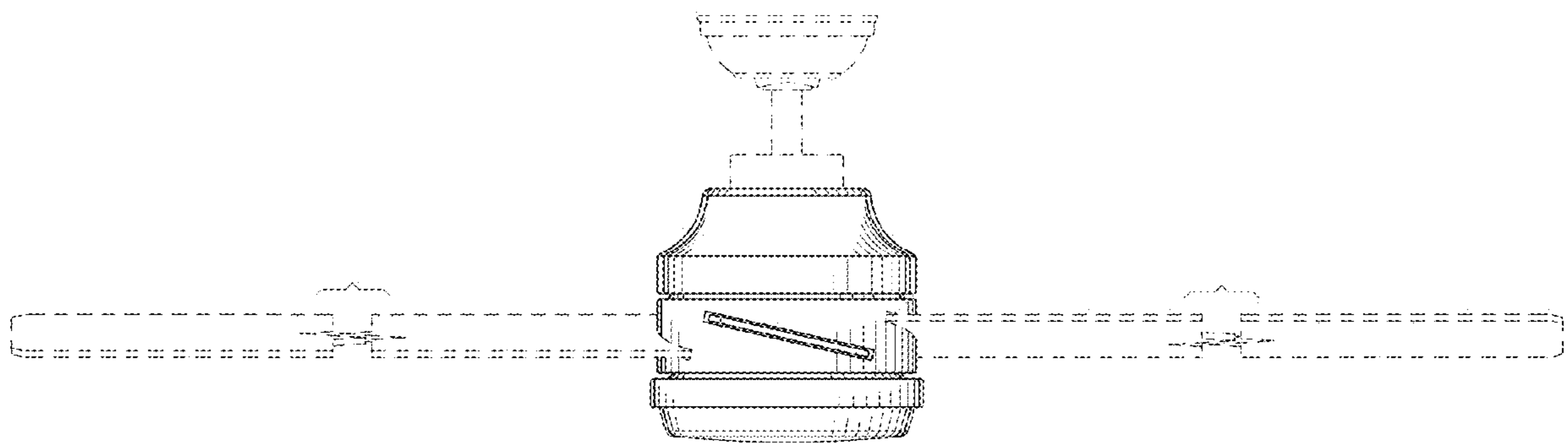


FIG.5

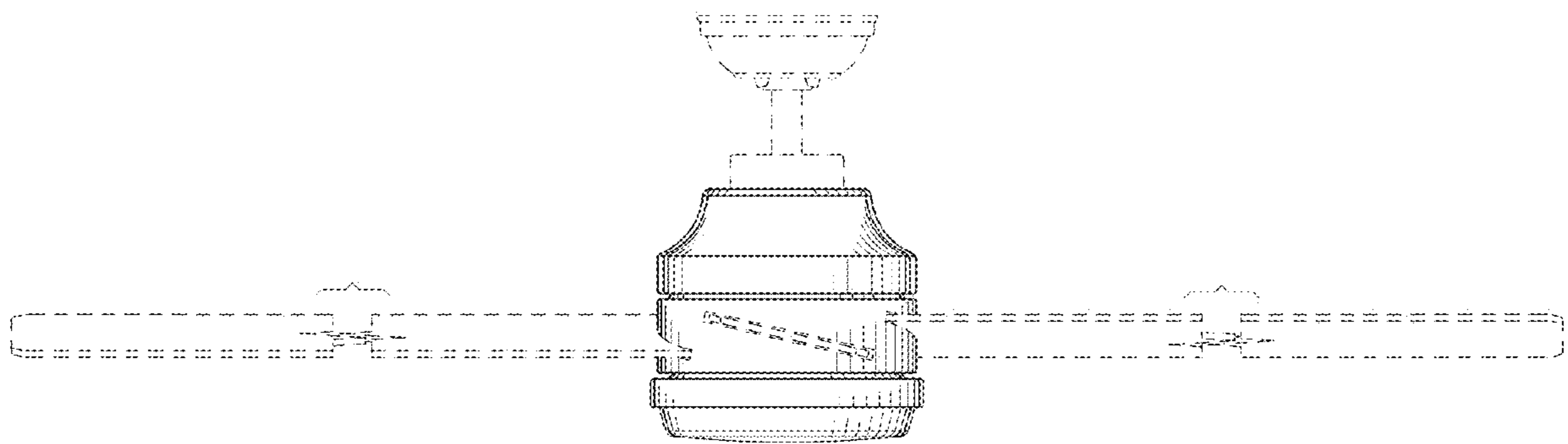


FIG.6

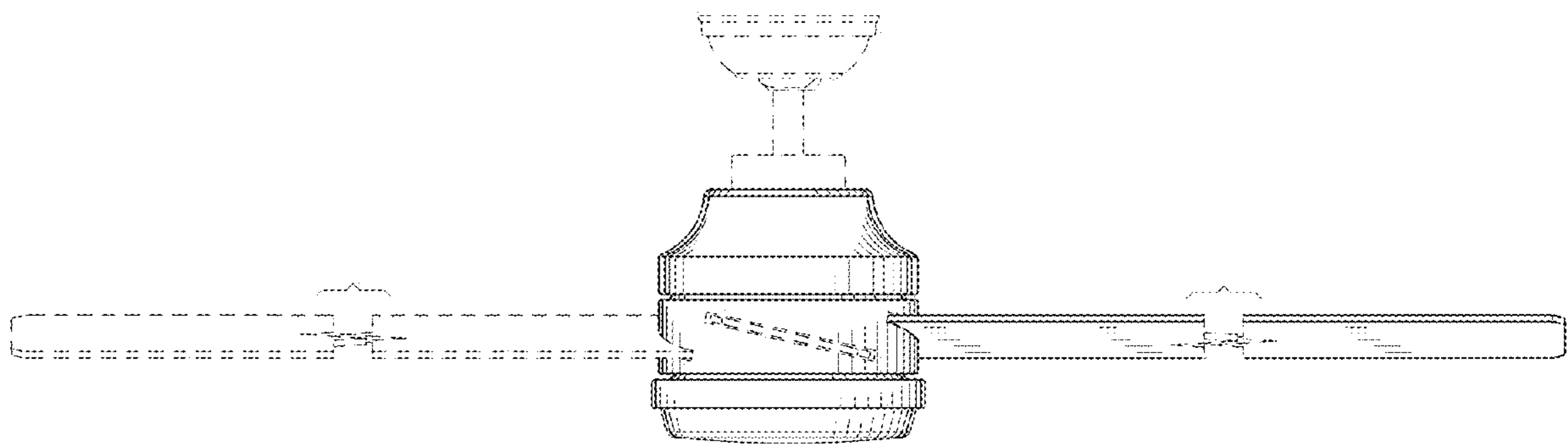


FIG.7

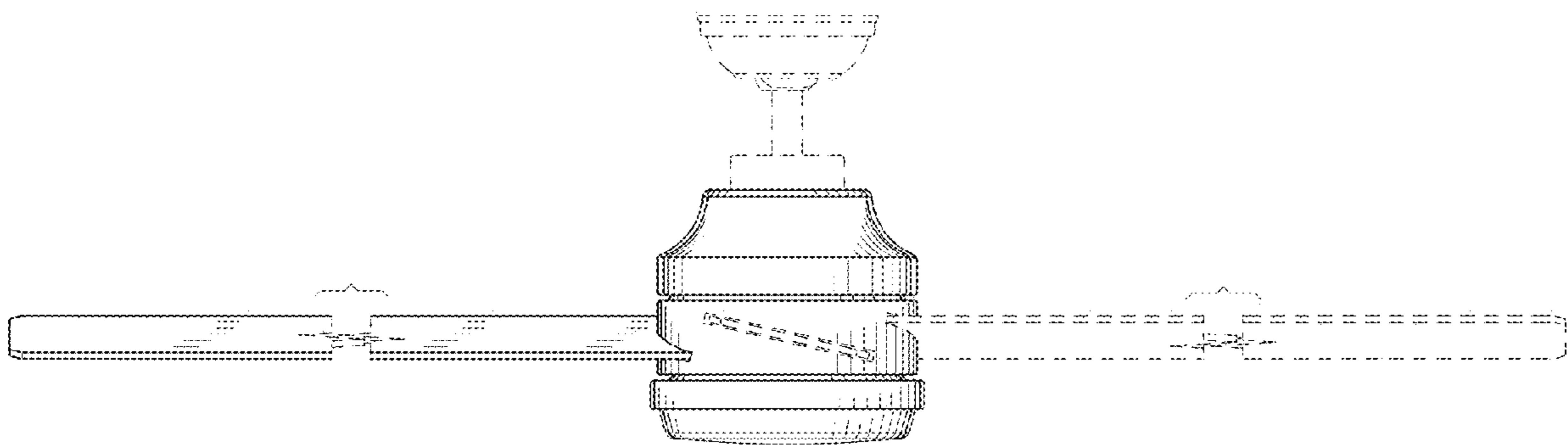


FIG. 8