



US00D885550S

(12) **United States Design Patent** (10) **Patent No.:** **US D885,550 S**
Avedon (45) **Date of Patent:** **** May 26, 2020**

(54) **AIR MOVING DEVICE**

2,154,313 A 4/1939 McMahan
2,189,008 A 2/1940 Kurth
2,189,502 A 2/1940 Johnston
2,232,573 A 2/1941 Teves

(71) Applicant: **AIRIUS IP HOLDINGS, LLC**,
Longmont, CO (US)

(Continued)

(72) Inventor: **Raymond B. Avedon**, Boulder, CO
(US)

FOREIGN PATENT DOCUMENTS

(73) Assignee: **Airius IP Holdings, LLC**, Longmont,
CO (US)

AU 2013203632 11/2016
CN 1426729 7/2003

(Continued)

(**) Term: **15 Years**

OTHER PUBLICATIONS

(21) Appl. No.: **29/612,242**

“The New Airius Q50 EC”, <https://web.archive.org/web/20150721185407/http://airius.com.au/technical/specification-sheets/the-new-airius-q50-ec/> as archived Jul. 21, 2015, pp. 2.

(22) Filed: **Jul. 31, 2017**

(Continued)

(51) **LOC (12) Cl.** **23-04**

(52) **U.S. Cl.**

USPC **D23/370**

(58) **Field of Classification Search**

USPC D23/314, 317, 324, 328, 332–337, 342,
D23/351, 352, 355, 356, 359, 362, 364,
D23/366, 370–376, 378, 379, 381–385,
D23/411–414, 259, 262, 209; D9/500,
D9/502; D7/700; D15/150, 152

CPC F04D 25/08; F04D 29/403; F04D 29/522
See application file for complete search history.

Primary Examiner — Cathron C Brooks

Assistant Examiner — Sharon S Oum

(74) *Attorney, Agent, or Firm* — Knobbe Martens Olson
& Bear LLP

(57)

CLAIM

The ornamental design for an air moving device, as shown
and described.

DESCRIPTION

(56) **References Cited**

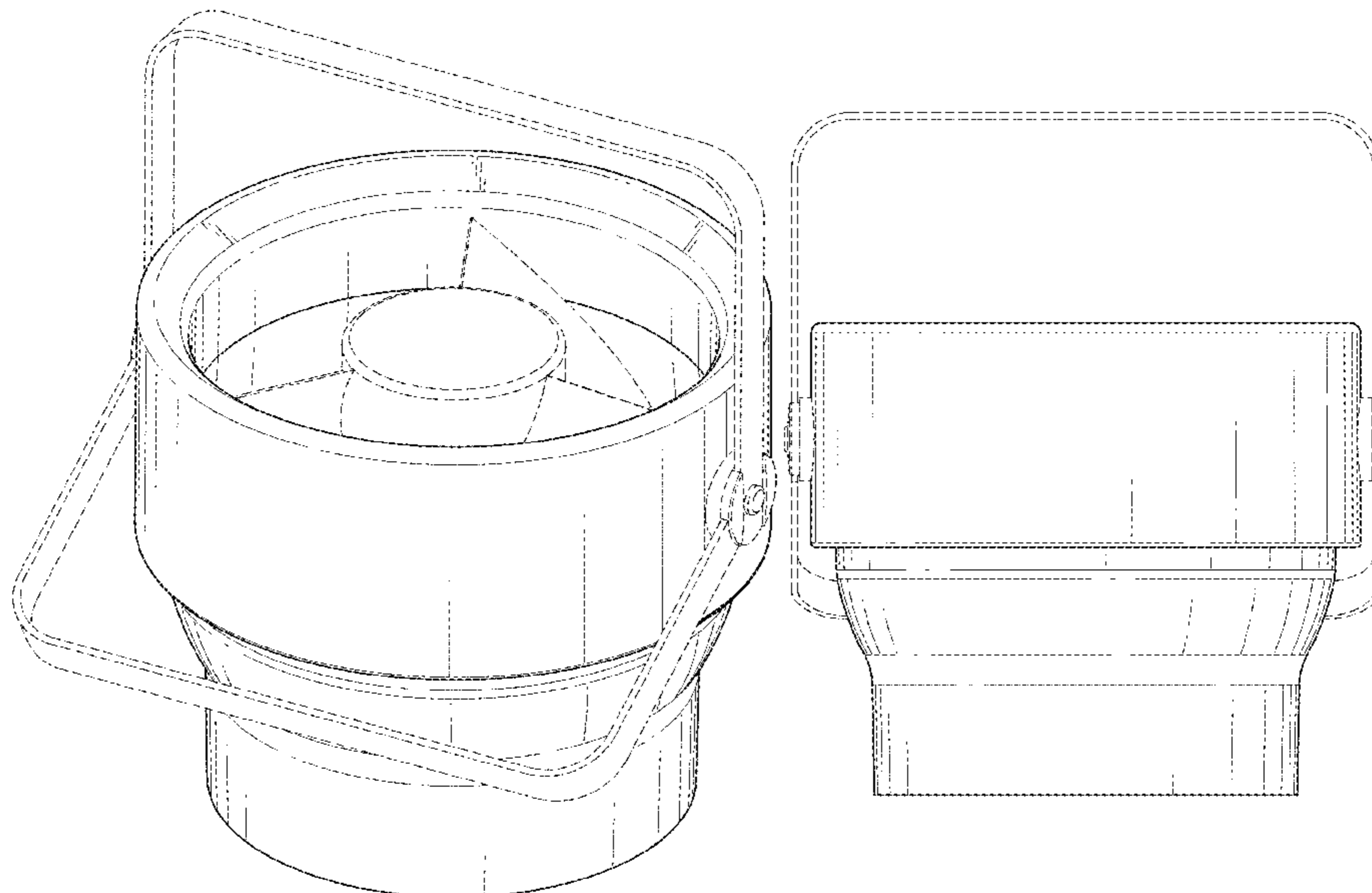
U.S. PATENT DOCUMENTS

651,637 A 6/1900 Nicol
D33,522 S * 11/1900 Brinkerhoff 126/144
818,604 A 4/1906 Bierd
866,292 A 9/1907 Meston
917,206 A 4/1909 Watts
1,858,067 A 5/1932 Warren
1,877,347 A 9/1932 McCurdie
1,926,795 A 9/1933 Sassenberg
2,016,778 A 10/1935 Hall et al.
2,142,307 A 1/1939 De Mey et al.
2,144,035 A 1/1939 Smith, Jr.

FIG. 1 is a front, right, and top side perspective view of an
air moving device embodying our new design;
FIG. 2 is a back, right, bottom side perspective view thereof;
FIG. 3 is a front side elevational view thereof;
FIG. 4 is a back side elevational view thereof;
FIG. 5 is a right side elevational view thereof;
FIG. 6 is a left side elevational view thereof;
FIG. 7 is a top plan view thereof; and,
FIG. 8 is a bottom plan view thereof.

Broken lines are used to illustrate features of the air moving
device which form no part of the claimed design.

1 Claim, 7 Drawing Sheets



(56)

References Cited

U.S. PATENT DOCUMENTS

2,258,731 A	10/1941	Blumenthal	4,522,255 A	6/1985	Baker
D133,120 S	7/1942	Spear	4,524,679 A	6/1985	Lyons
2,359,021 A	9/1944	Campbell et al.	4,546,420 A	10/1985	Wheeler et al.
2,366,773 A	1/1945	Eklund et al.	4,548,548 A	10/1985	Gray, III
2,371,821 A	3/1945	Havis	4,550,649 A	11/1985	Zambolin
D152,397 S	1/1949	Damond	D283,054 S *	3/1986	Altman D26/24
2,513,463 A	7/1950	Eklund et al.	4,630,182 A	12/1986	Moroi et al.
2,524,974 A	10/1950	Hickmott	4,657,483 A	4/1987	Bede
2,615,620 A	10/1952	Goetfl	4,657,485 A	4/1987	Hartwig
2,632,375 A	3/1953	Stair et al.	4,662,912 A	5/1987	Perkins
2,658,719 A	11/1953	Johanson	4,678,410 A	7/1987	Kullen
D174,230 S	3/1955	Lewis, II	4,681,024 A	7/1987	Ivey
2,710,337 A	6/1955	Moore, Jr.	4,692,091 A	9/1987	Ritenour
2,814,433 A	11/1957	Brinen	D293,029 S *	12/1987	Shwisha D26/60
2,830,523 A	4/1958	Vehige	4,714,230 A	12/1987	Huang
D187,699 S	4/1960	van Rijn	4,715,784 A	12/1987	Mosiewicz
2,982,198 A	5/1961	Mohrman	4,716,818 A	1/1988	Brown
3,012,494 A	12/1961	Drummond	4,730,551 A	3/1988	Peludat
3,036,509 A	5/1962	Babbitt	4,750,863 A	6/1988	Scoggins
3,040,993 A *	6/1962	Schultz F21V 13/00 362/269	4,790,863 A	12/1988	Nobiraki et al.
3,068,341 A	12/1962	Ortiz et al.	4,794,851 A	1/1989	Kurrie
3,072,321 A	1/1963	King, Jr.	4,796,343 A	1/1989	Wing
D195,287 S *	5/1963	Downing D23/370	4,848,669 A	7/1989	George
3,099,949 A	8/1963	Davidson	4,850,265 A	7/1989	Raisanen
3,165,294 A	1/1965	Anderson	4,890,547 A	1/1990	Wagner et al.
3,188,007 A	6/1965	Myklebust	4,895,065 A	1/1990	Lamparter
3,212,425 A	10/1965	Lindner et al.	D308,416 S	6/1990	Brumbach
3,246,699 A	4/1966	Jocz	4,930,987 A	6/1990	Stahl
3,300,123 A	1/1967	Freyholdt et al.	4,971,143 A	11/1990	Hogan
3,306,179 A	2/1967	Lambie et al.	4,973,016 A	11/1990	Hertenstein
3,320,869 A	5/1967	Schach	5,000,081 A	3/1991	Gilmer
3,364,839 A	1/1968	Sweeney et al.	5,021,932 A	6/1991	Ivey
3,382,791 A	5/1968	Henry-Biabaud	5,033,711 A	7/1991	Gregorich et al.
3,386,368 A	6/1968	Fielding	5,042,366 A	8/1991	Panetski et al.
3,413,905 A	12/1968	Johnson	5,060,901 A	10/1991	Lathrop et al.
3,524,399 A	8/1970	Bohanon	5,078,574 A	1/1992	Olsen
3,584,968 A	6/1971	Keith	5,094,676 A	3/1992	Karbacher
3,601,184 A	8/1971	Hauville	D325,628 S *	4/1992	Cho D23/370
3,690,244 A	9/1972	Kallel et al.	5,107,755 A	4/1992	Leban et al.
3,699,872 A	10/1972	Kruger	5,121,675 A	6/1992	Muller et al.
3,765,317 A	10/1973	Lowe	5,127,876 A	7/1992	Howe et al.
3,785,271 A	1/1974	Joy	D328,405 S *	8/1992	Heiligenstein D7/400
3,827,342 A	8/1974	Hughes	5,152,606 A	10/1992	Borraccia et al.
D232,831 S *	9/1974	Vidmar, Jr. D23/386	5,156,568 A	10/1992	Ricci
3,835,759 A	9/1974	Lloyd	5,191,618 A	3/1993	Hisey
D234,847 S *	4/1975	Hoffman D23/262	D335,532 S *	5/1993	Lopez D23/383
3,876,331 A	4/1975	DenHerder et al.	D340,765 S	10/1993	Joss et al.
3,927,300 A	12/1975	Wada et al.	5,251,461 A	10/1993	Fallows, III et al.
3,932,054 A	1/1976	McKelvey	D347,467 S *	5/1994	Medvick D23/262
3,934,494 A	1/1976	Butler	5,328,152 A	7/1994	Castle
3,967,927 A	7/1976	Patterson	5,358,443 A	10/1994	Mitchell et al.
3,973,479 A	8/1976	Whiteley	5,399,119 A	3/1995	Birk et al.
3,988,973 A	11/1976	Honmann	5,423,660 A	6/1995	Sortor
4,006,673 A	2/1977	Meyer et al.	5,429,481 A	7/1995	Liu
4,064,427 A	12/1977	Hansen et al.	5,439,349 A	8/1995	Kupferberg
4,123,197 A	10/1978	Keem et al.	5,439,352 A	8/1995	Line
D251,851 S	5/1979	Palm	5,443,625 A	8/1995	Schaffhausen
4,152,973 A	5/1979	Peterson	5,458,505 A	10/1995	Prager
4,162,779 A	7/1979	Van Steenhoven et al.	5,462,484 A	10/1995	Jung et al.
4,185,545 A	1/1980	Rusth et al.	5,466,120 A	11/1995	Takeuchi et al.
D255,488 S	6/1980	Kanarek	5,484,076 A	1/1996	Petrushka
4,210,833 A	7/1980	Neveux	5,511,942 A	4/1996	Meier
D256,273 S	8/1980	Townsend et al.	5,513,953 A	5/1996	Hansen
4,234,916 A	11/1980	Goralnik	5,520,515 A	5/1996	Bailey et al.
D258,010 S *	1/1981	Bowls D26/63	5,545,241 A	8/1996	Vanderauwera et al.
D258,526 S *	3/1981	Nederman 285/148.19	5,547,343 A	8/1996	Jané et al.
4,261,255 A	4/1981	Anderson et al.	5,551,841 A	9/1996	Kamada
4,321,659 A	3/1982	Wheeler	5,561,952 A	10/1996	Damron
4,344,112 A	8/1982	Brown	5,569,019 A	10/1996	Katariya et al.
4,391,570 A	7/1983	Stutzman	5,584,656 A	12/1996	Rose
4,396,352 A	8/1983	Pearce	5,595,068 A	1/1997	Amr
4,473,000 A	9/1984	Perkins	5,613,833 A	3/1997	Wolfe et al.
4,512,242 A	4/1985	Bohanon, Sr.	5,658,196 A	8/1997	Swaim
4,515,538 A	5/1985	Shih	5,664,872 A	9/1997	Spearman et al.
			5,709,458 A	1/1998	Metz
			5,725,190 A	3/1998	Cuthbertson et al.
			5,725,356 A	3/1998	Carter
			5,782,438 A	7/1998	Hubben et al.
			5,791,985 A	8/1998	Schiedegger et al.

(56)

References Cited

U.S. PATENT DOCUMENTS			
5,822,186	A	10/1998	Bull
D404,617	S *	1/1999	Mick D7/700
5,918,972	A	7/1999	Van Belle
5,934,783	A	8/1999	Yoshikawa
D414,550	S	9/1999	Bloom
5,947,816	A	9/1999	Schiedegger et al.
5,967,891	A	10/1999	Riley et al.
5,975,853	A	11/1999	Lackey
5,984,252	A	11/1999	Bograng et al.
5,997,253	A	12/1999	Fechan
6,004,097	A	12/1999	Wark et al.
6,068,385	A	5/2000	Hsieh
D427,673	S *	7/2000	Stout, Jr. D23/393
6,095,671	A	8/2000	Hutain
6,109,874	A	8/2000	Steiner
6,145,798	A	11/2000	Janisse et al.
6,149,513	A	11/2000	Lyu
6,155,782	A	12/2000	Hsu
6,168,517	B1	1/2001	Cook
6,176,680	B1	1/2001	Ringblom et al.
6,183,203	B1	2/2001	Grintz
6,192,702	B1	2/2001	Shimogori
6,193,384	B1	2/2001	Stein
6,196,915	B1	3/2001	Schiedegger et al.
D443,053	S *	5/2001	Schaefer D23/328
6,319,304	B1	11/2001	Moredock
D453,960	S	2/2002	Shelby et al.
6,352,473	B1	3/2002	Clark
6,357,714	B1	3/2002	Johnson
6,360,816	B1	3/2002	Wagner
6,361,428	B1	3/2002	Tosconi et al.
6,361,431	B1	3/2002	Kawano
6,364,760	B1	4/2002	Rooney
D457,613	S *	5/2002	Schaefer D23/328
6,382,911	B1	5/2002	Beltowski
6,383,072	B2	5/2002	Schiedegger et al.
6,384,494	B1	5/2002	Avidano et al.
6,386,828	B1	5/2002	Davis et al.
6,386,970	B1	5/2002	Vernier, II et al.
6,386,972	B1	5/2002	Schiedegger et al.
6,435,964	B1	8/2002	Chang
6,451,080	B1	9/2002	Rocklitz et al.
6,458,028	B2	10/2002	Snyder
6,458,628	B1	10/2002	Distefano et al.
6,484,524	B1	11/2002	Ulanov
6,551,185	B1	4/2003	Miyake et al.
6,575,011	B1	6/2003	Busby et al.
6,581,974	B1	6/2003	Ragner et al.
6,582,291	B2	6/2003	Clark
6,592,328	B1	7/2003	Cahill
6,595,747	B2	7/2003	Bos
D480,132	S *	9/2003	Stout, Jr. D23/393
6,626,003	B1	9/2003	Kortüm et al.
6,626,636	B2	9/2003	Bohn
D481,101	S	10/2003	Boehrs et al.
D481,159	S	10/2003	Walker
6,648,752	B2	11/2003	Vernier, II et al.
6,679,433	B2	1/2004	Gordon et al.
6,682,308	B1	1/2004	Fei et al.
6,700,266	B2	3/2004	Winkel et al.
6,761,531	B2	7/2004	Toye
6,767,281	B2	7/2004	McKee
6,783,578	B2	8/2004	Tillman, Jr.
6,804,627	B1	10/2004	Marokhovskiy et al.
6,805,627	B2	10/2004	Marts et al.
6,812,849	B1	11/2004	Ancel
6,886,270	B2	5/2005	Gilmer
6,916,240	B1	7/2005	Morton
6,938,631	B2	9/2005	Gridley
6,941,698	B2	9/2005	Telles
6,951,081	B2	10/2005	Bonshor
6,966,830	B2	11/2005	Hurlstone et al.
6,974,381	B1	12/2005	Walker et al.
D514,688	S *	2/2006	Avedon D23/379
7,011,500	B2	3/2006	Matson
7,011,578	B1	3/2006	Core
7,044,849	B2	5/2006	Dippel
7,048,499	B2	5/2006	Mathson et al.
7,056,092	B2	6/2006	Stahl
7,056,368	B2	6/2006	Moredock et al.
7,101,064	B2	9/2006	Ancel
7,152,425	B2	12/2006	Han et al.
7,166,023	B2	1/2007	Haigh et al.
7,175,309	B2	2/2007	Craw et al.
7,185,504	B2	3/2007	Kasai et al.
7,201,110	B1	4/2007	Pawlak
7,201,650	B2	4/2007	Demerath et al.
7,214,035	B2	5/2007	Bussieres et al.
7,246,997	B2	7/2007	Liu et al.
7,287,738	B2	10/2007	Pitlor
7,288,023	B2	10/2007	Leopold
D557,791	S *	12/2007	Cox D23/411
7,311,492	B2	12/2007	Östberg
7,320,636	B2	1/2008	Seliger et al.
7,331,764	B1	2/2008	Reynolds et al.
D564,120	S *	3/2008	Layne D26/63
D567,930	S	4/2008	Smith
7,374,408	B2	5/2008	Savage et al.
D570,981	S	6/2008	McClelland
7,381,129	B2	6/2008	Avedon
7,467,931	B2	12/2008	O'Toole
7,473,074	B2	1/2009	Herbst et al.
7,476,079	B2	1/2009	Bartlett
7,484,863	B1 *	2/2009	Aubrey F21V 13/04 362/294
7,497,773	B1	3/2009	Schmidt
7,516,578	B2	4/2009	Bonshor
7,544,124	B2	6/2009	Polston
7,549,258	B2	6/2009	Lajewski
7,566,034	B2	7/2009	Bonshor
D599,471	S	9/2009	Borovicka et al.
7,607,935	B2	10/2009	Dahl
D604,880	S *	11/2009	Lovegrove D26/63
7,610,717	B2	11/2009	Lüken et al.
7,610,726	B2	11/2009	Lajewski
D605,332	S	12/2009	Miranda
7,645,188	B1	1/2010	Peerbolt
7,651,390	B1	1/2010	Profeta et al.
D612,925	S *	3/2010	Kameyama D23/393
7,677,770	B2	3/2010	Mazzochette
7,677,964	B1	3/2010	Bucher et al.
7,708,625	B2	5/2010	Leseman et al.
7,717,674	B2	5/2010	Tsuji et al.
D617,890	S	6/2010	Thomas
D620,096	S	7/2010	Underwood
7,748,954	B2	7/2010	Eguchi et al.
7,752,814	B2	7/2010	Bonshor
D621,985	S *	8/2010	Sanoner D26/67
D622,895	S *	8/2010	Lyons D26/118
7,774,999	B2	8/2010	McKee
7,780,510	B2	8/2010	Polston
D631,142	S *	1/2011	Angell D23/262
D631,148	S *	1/2011	Benton D23/370
7,901,278	B2	3/2011	O'Hagin
7,930,858	B2	4/2011	Lajewski
D645,550	S *	9/2011	Ferroni D23/393
D645,593	S *	9/2011	Janssen D26/63
8,052,386	B1	11/2011	Fitzpatrick et al.
8,282,138	B2 *	10/2012	Steiner F16L 13/141 285/256
8,297,945	B2	10/2012	Spaggiari
D672,863	S	12/2012	Romero Carreras
1,053,025	A1	2/2013	Goodwin
8,366,387	B2	2/2013	Reuter
D681,184	S *	4/2013	Romero Carreras D23/370
D684,307	S	6/2013	Teller
8,459,846	B2	6/2013	Tsao
8,487,517	B2	7/2013	Fang et al.
8,529,324	B2	9/2013	Moredock et al.
8,596,596	B2	12/2013	Naji et al.
8,616,842	B2	12/2013	Avedon
D698,916	S *	2/2014	Avedon D23/379
8,641,375	B2	2/2014	Tian et al.
D703,302	S *	4/2014	Ruck D23/370

(56)

References Cited

U.S. PATENT DOCUMENTS

D710,485 S * 8/2014 Nudo D23/262
 D710,490 S 8/2014 Shurtleff
 D714,996 S 10/2014 Trotter et al.
 D715,904 S 10/2014 Tate et al.
 8,894,354 B2 11/2014 Hodgson et al.
 8,899,930 B2 12/2014 Innocenti et al.
 8,931,936 B1 1/2015 Tham et al.
 8,967,983 B2 3/2015 Kampf
 8,992,174 B2 3/2015 Chang
 9,028,085 B2 5/2015 Todd, Jr.
 9,028,211 B2 5/2015 Todd, Jr.
 D733,555 S * 7/2015 Brady D9/428
 D739,515 S * 9/2015 Johnson D23/393
 9,151,295 B2 10/2015 Avedon
 D743,521 S 11/2015 Jackson
 D746,971 S * 1/2016 Avedon D23/379
 D747,453 S 1/2016 Stewart et al.
 D754,312 S * 4/2016 Ellis D23/355
 D755,438 S 5/2016 Kimmet
 D756,498 S 5/2016 Norman et al.
 9,335,061 B2 5/2016 Avedon
 D758,642 S 6/2016 Eguchi
 D768,844 S 10/2016 Koseoglu
 9,459,020 B2 10/2016 Avedon
 D775,719 S 1/2017 Smith et al.
 D783,795 S * 4/2017 Avedon D23/379
 9,631,627 B2 4/2017 Avedon
 D788,886 S * 6/2017 Salzer D23/259
 9,696,026 B1 7/2017 Hardgrave
 9,702,576 B2 7/2017 Avedon
 9,714,663 B1 7/2017 Avedon
 D798,718 S * 10/2017 Foster D9/500
 D799,675 S * 10/2017 Wong D23/382
 D801,510 S * 10/2017 O'Connell D23/377
 D805,176 S * 12/2017 Avedon D23/379
 9,970,457 B2 5/2018 Avedon
 D820,967 S * 6/2018 Avedon D23/370
 10,024,531 B2 7/2018 Avedon
 D825,090 S 8/2018 Richardson et al.
 10,184,489 B2 * 1/2019 Avedon F24F 7/065
 10,221,861 B2 * 3/2019 Avedon F04D 13/06
 2001/0049927 A1 12/2001 Toepel
 2002/0045420 A1 4/2002 Taillon
 2002/0131865 A1 9/2002 Larzelere et al.
 2002/0137454 A1 9/2002 Baker
 2003/0092373 A1 5/2003 Kuo
 2003/0213883 A1 11/2003 Fu-Liang
 2004/0004173 A1 1/2004 Johnson
 2004/0050077 A1 3/2004 Kasai et al.
 2004/0052641 A1 3/2004 Chen
 2004/0240214 A1 12/2004 Whitlow et al.
 2004/0253095 A1 12/2004 Sasaki et al.
 2005/0045793 A1 3/2005 Johnson et al.
 2005/0077446 A1 4/2005 Bacon et al.
 2005/0092888 A1 5/2005 Gonce
 2005/0159101 A1 7/2005 Hrdina et al.
 2006/0087810 A1 4/2006 Rockenfeller
 2006/0172688 A1 8/2006 Johnson
 2006/0193139 A1 8/2006 Sun et al.
 2006/0276123 A1 12/2006 Sanagi et al.
 2006/0278766 A1 12/2006 Wang
 2006/0284435 A1 12/2006 Vitito
 2007/0213003 A1 9/2007 Railkar et al.
 2007/0231145 A1 10/2007 Jin
 2007/0246579 A1 10/2007 Blateri
 2007/0297906 A1 12/2007 Wu
 2007/0297912 A1 12/2007 Reuter
 2008/0019836 A1 1/2008 Butz et al.
 2008/0061200 A1 3/2008 Bouissiere
 2008/0188175 A1 8/2008 Wilkins
 2008/0227381 A1 9/2008 Avedon
 2009/0041580 A1 2/2009 Wichmann et al.
 2009/0122516 A1 5/2009 Yang
 2009/0155080 A1 6/2009 Yu
 2009/0170421 A1 7/2009 Adrian et al.

2009/0219727 A1 9/2009 Weaver
 2009/0262550 A1 10/2009 Inoue
 2010/0009621 A1 1/2010 Hsieh
 2010/0052495 A1 3/2010 Liu et al.
 2010/0075588 A1 3/2010 Haneline
 2010/0111698 A1 5/2010 Wiedman et al.
 2010/0176706 A1 7/2010 Fu et al.
 2010/0192611 A1 8/2010 Yamaguchi et al.
 2010/0202932 A1 8/2010 Danville
 2010/0232168 A1 9/2010 Horng
 2010/0295436 A1 11/2010 Horng et al.
 2010/0328881 A1 12/2010 Huang
 2010/0329885 A1 12/2010 Criner et al.
 2011/0037368 A1 2/2011 Huang
 2011/0057551 A1 3/2011 Lee et al.
 2011/0057552 A1 3/2011 Weaver
 2011/0080096 A1 4/2011 Dudik et al.
 2011/0084586 A1 4/2011 Lain et al.
 2011/0133622 A1 6/2011 Mo et al.
 2011/0140588 A1 6/2011 Chen
 2011/0223016 A1 9/2011 Ediger et al.
 2011/0228967 A1 9/2011 Kulchy et al.
 2012/0062095 A1 3/2012 Horng
 2012/0194054 A1 8/2012 Johnston
 2012/0195749 A1 * 8/2012 Avedon F04D 25/088
 415/211.2
 2013/0111721 A1 5/2013 Mahfoudh et al.
 2013/0196588 A1 8/2013 Liao
 2014/0314560 A1 10/2014 Avedon
 2014/0348634 A1 11/2014 Bourrilhon et al.
 2015/0176834 A1 * 6/2015 Avedon F21V 33/0096
 415/121.3
 2015/0354578 A1 12/2015 Avedon
 2016/0146222 A1 5/2016 Avedon
 2017/0370363 A1 12/2017 Avedon
 2018/0149161 A1 5/2018 Avedon
 2018/0149380 A1 5/2018 Avedon
 2018/0335049 A1 * 11/2018 Gu F04D 29/541
 2019/0010961 A1 1/2019 Kumaou
 2019/0011121 A1 1/2019 Avedon

FOREIGN PATENT DOCUMENTS

CN 101592328 12/2009
 CN 201560963 8/2010
 DE 44 13 542 10/1995
 DE 196 38 518 4/1998
 DE 10 2008 044874 3/2010
 EP 0 037 958 10/1981
 EP 0 212 749 3/1987
 EP 0 772 007 5/1997
 EP 2 248 692 11/2010
 FR 0 715 101 11/1931
 FR 2 784 423 4/2000
 GB 0 792 369 3/1958
 GB 0 824 390 11/1959
 GB 0 981 188 1/1965
 GB 1 251 880 11/1971
 GB 2 344 619 6/2000
 GB 2 468 504 9/2010
 JP 55-032965 3/1980
 JP 61-502267 10/1986
 JP 01-067548 3/1989
 JP 07-167097 7/1995
 JP 07-253231 10/1995
 JP 08-219939 8/1996
 JP 11-132543 5/1999
 JP 2001-193979 7/2001
 JP 2002-349489 12/2002
 JP 2006-350237 12/2006
 JP 2010-181124 8/2010
 KR 20-0176664 4/2000
 KR 2003-0025428 3/2003
 KR 10-1255739 4/2013
 RU 2400254 C2 9/2010
 TW M337636 8/2008
 WO WO 01/034983 5/2001
 WO WO 03/040572 5/2003
 WO WO 2005/091896 10/2005

(56)

References Cited

FOREIGN PATENT DOCUMENTS

WO	WO 2006/078102	7/2006
WO	WO 2008/062319	5/2008
WO	WO 2010/046536	4/2010
WO	WO 2010/114702	10/2010
WO	WO 2011/067430	6/2011
WO	WO 2012/174155	12/2012
WO	WO 2012/174156	12/2012
WO	WO 2015/187856	12/2015
WO	WO 2016/081693	5/2016

OTHER PUBLICATIONS

Keeler Hardware, "OC Oval Cylinder Escutcheon", <https://www.keelerhardware.com.au/products/oc-oval-cylinder-escutcheon>, as printed Nov. 13, 2017 in 3 pages.

"Airius Model R20 EC 'Eyeball' Data Sheet", http://airius.com.au/products/new-retail-series-2/attachment/na_std_retailseries/ published Jun. 15, 2016 as printed May 23, 2017 in 1 page.

* cited by examiner

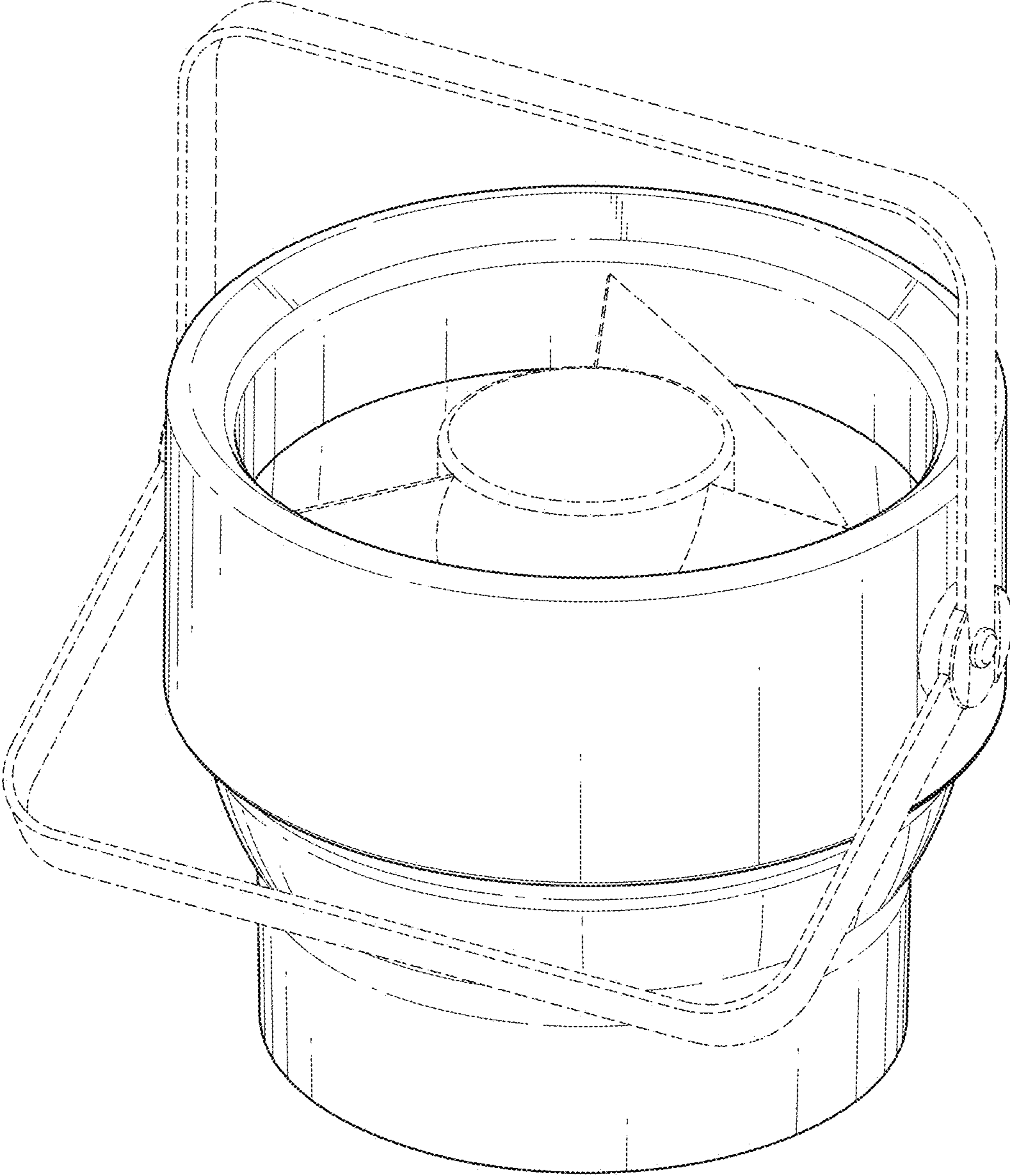


FIG. 1

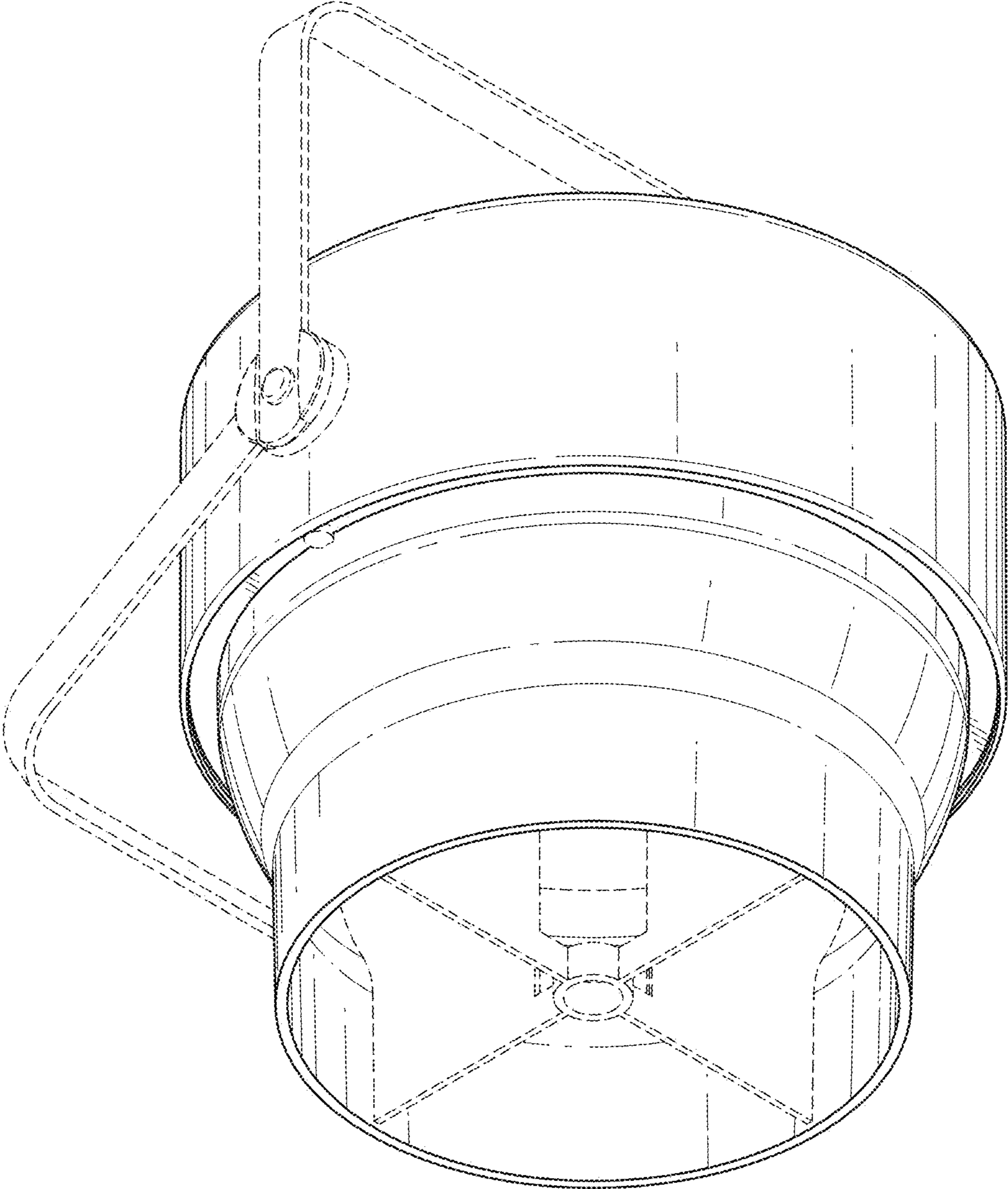


FIG. 2

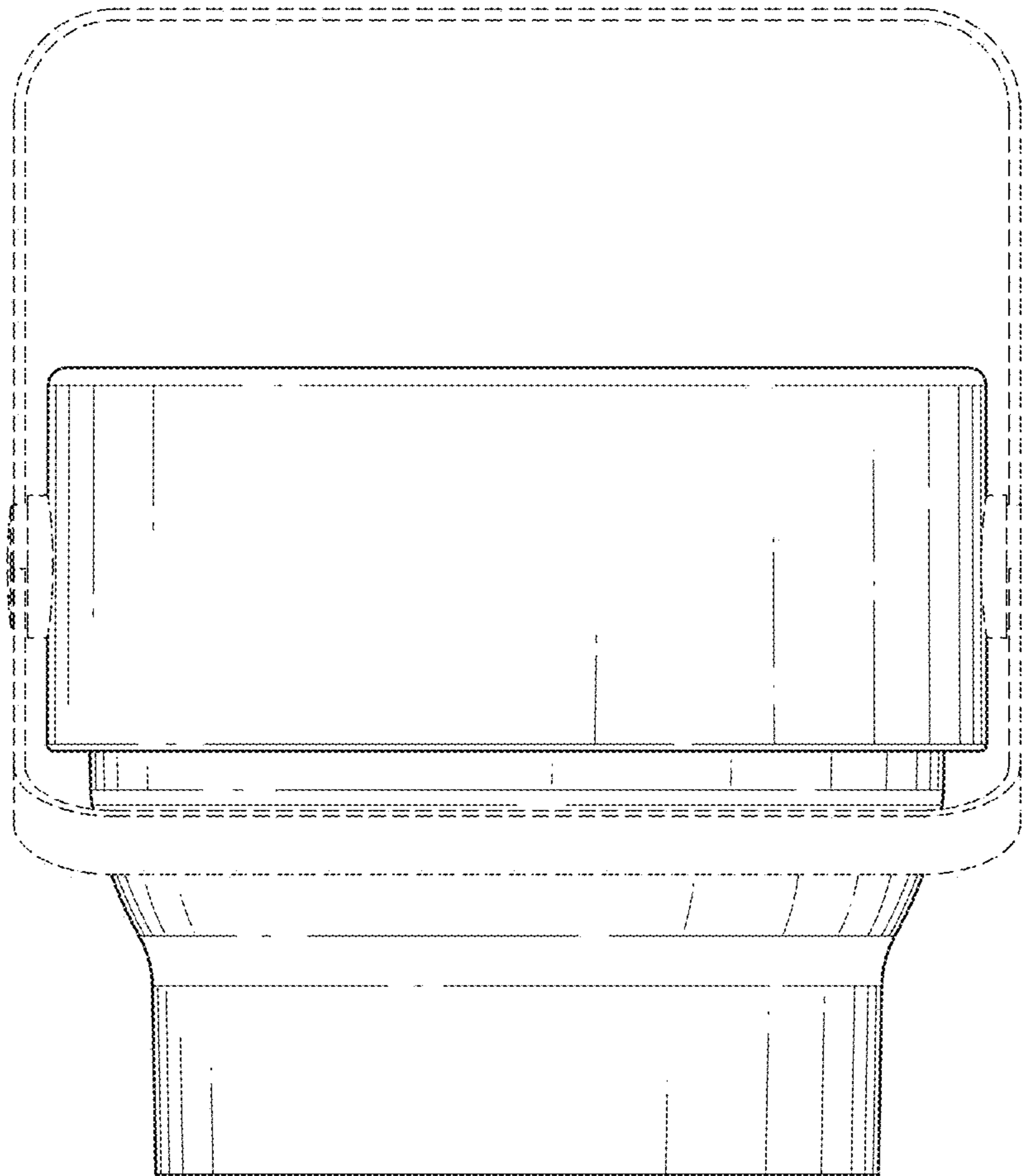


FIG. 3

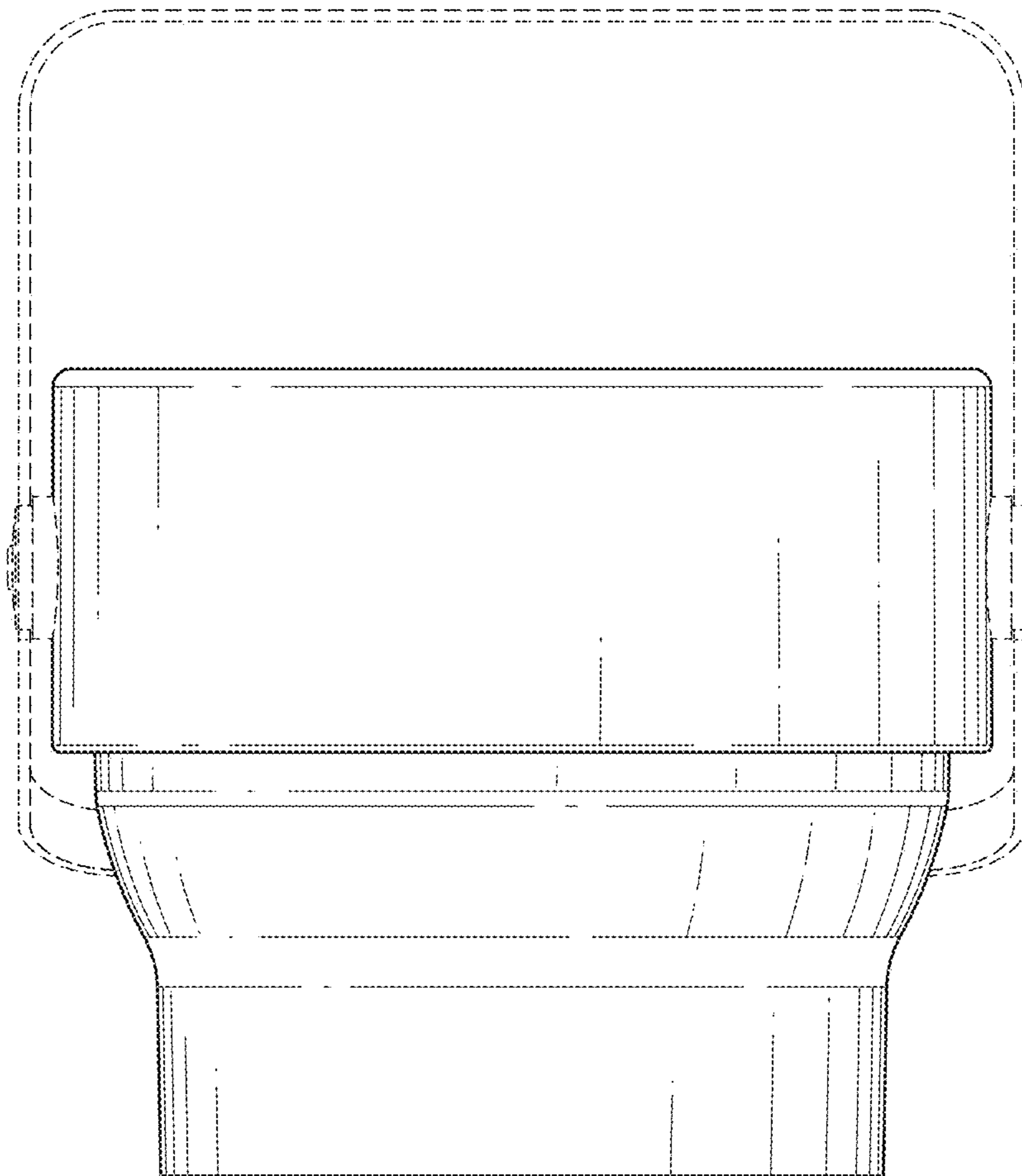


FIG. 4

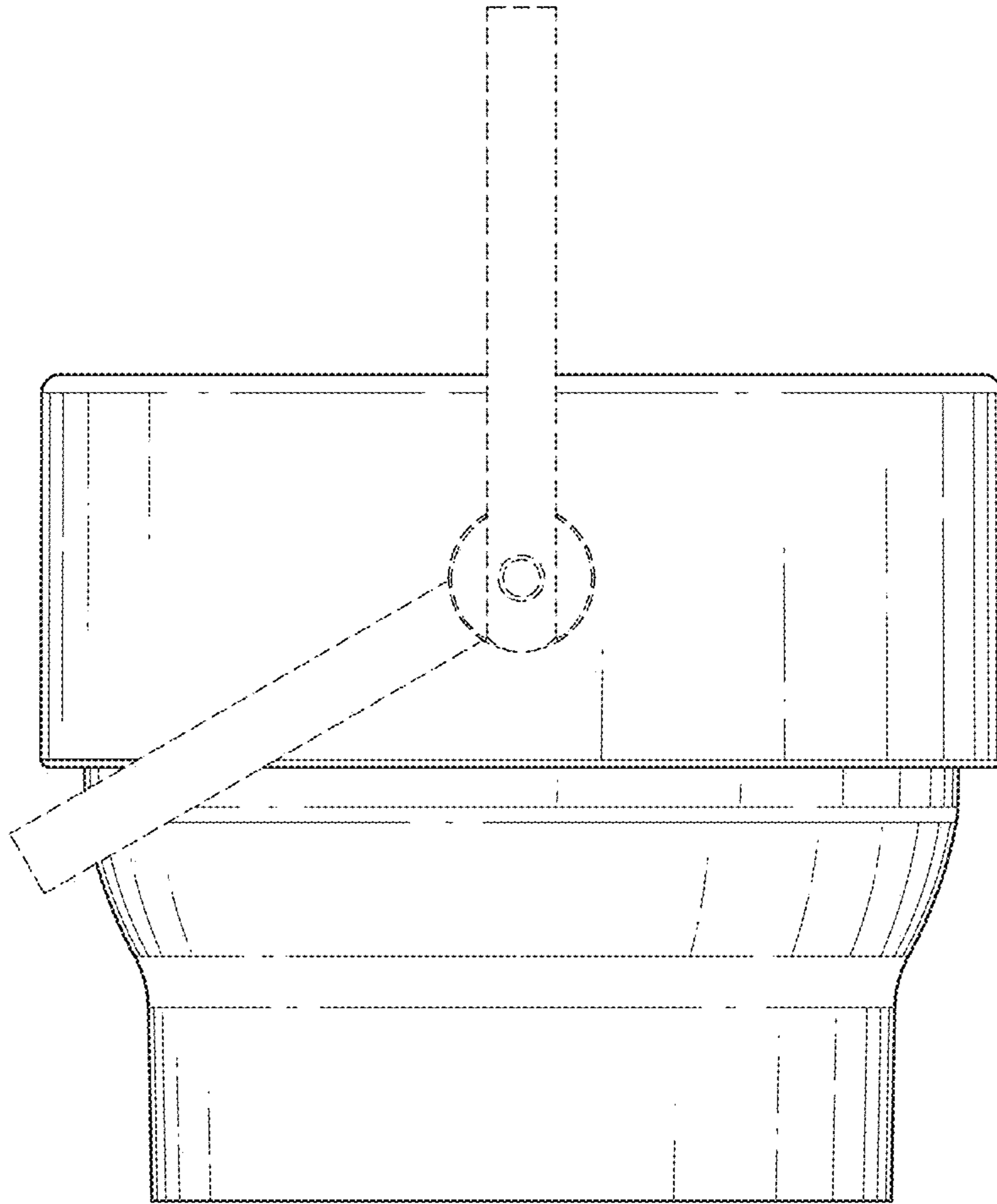


FIG. 5

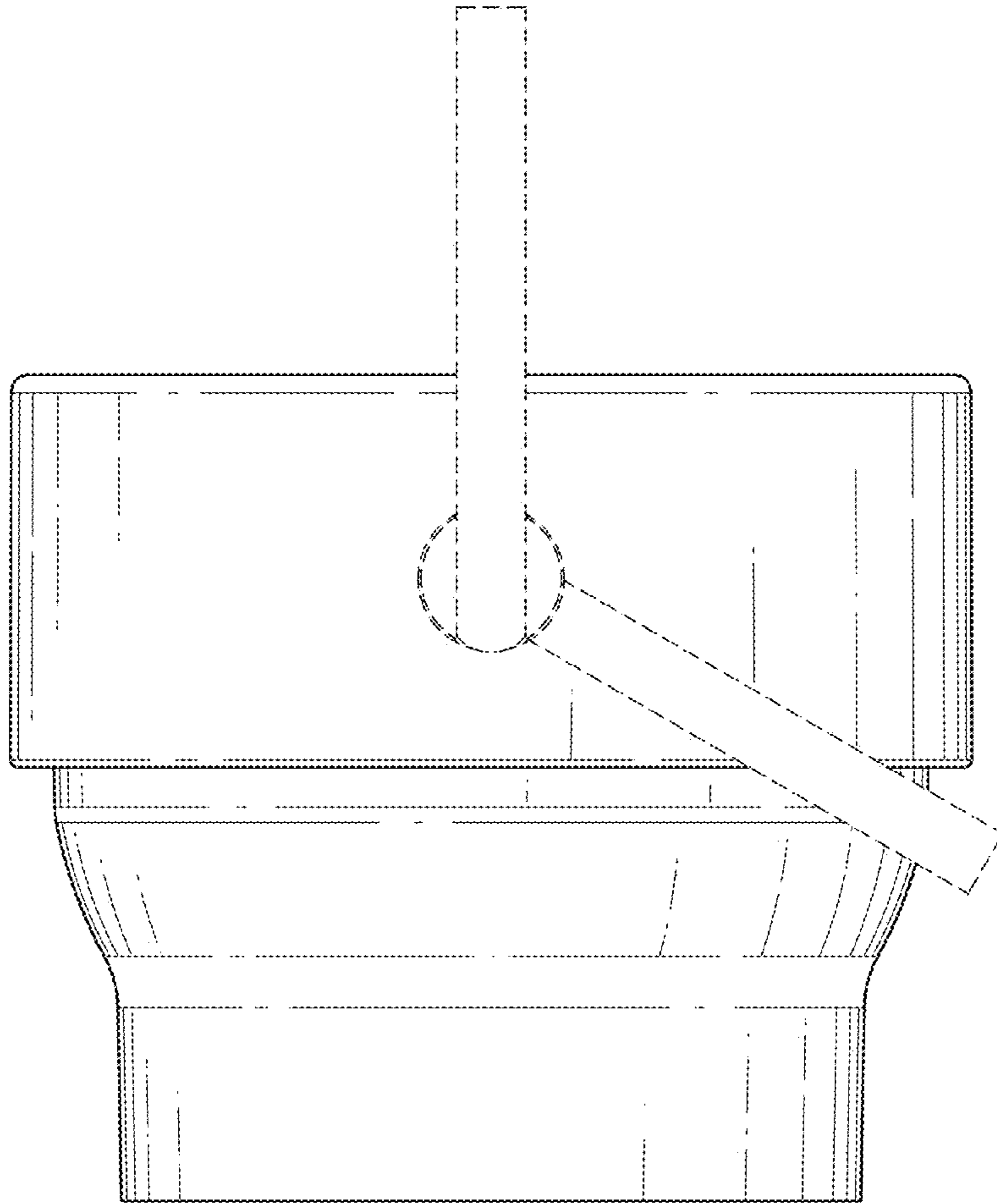


FIG. 6

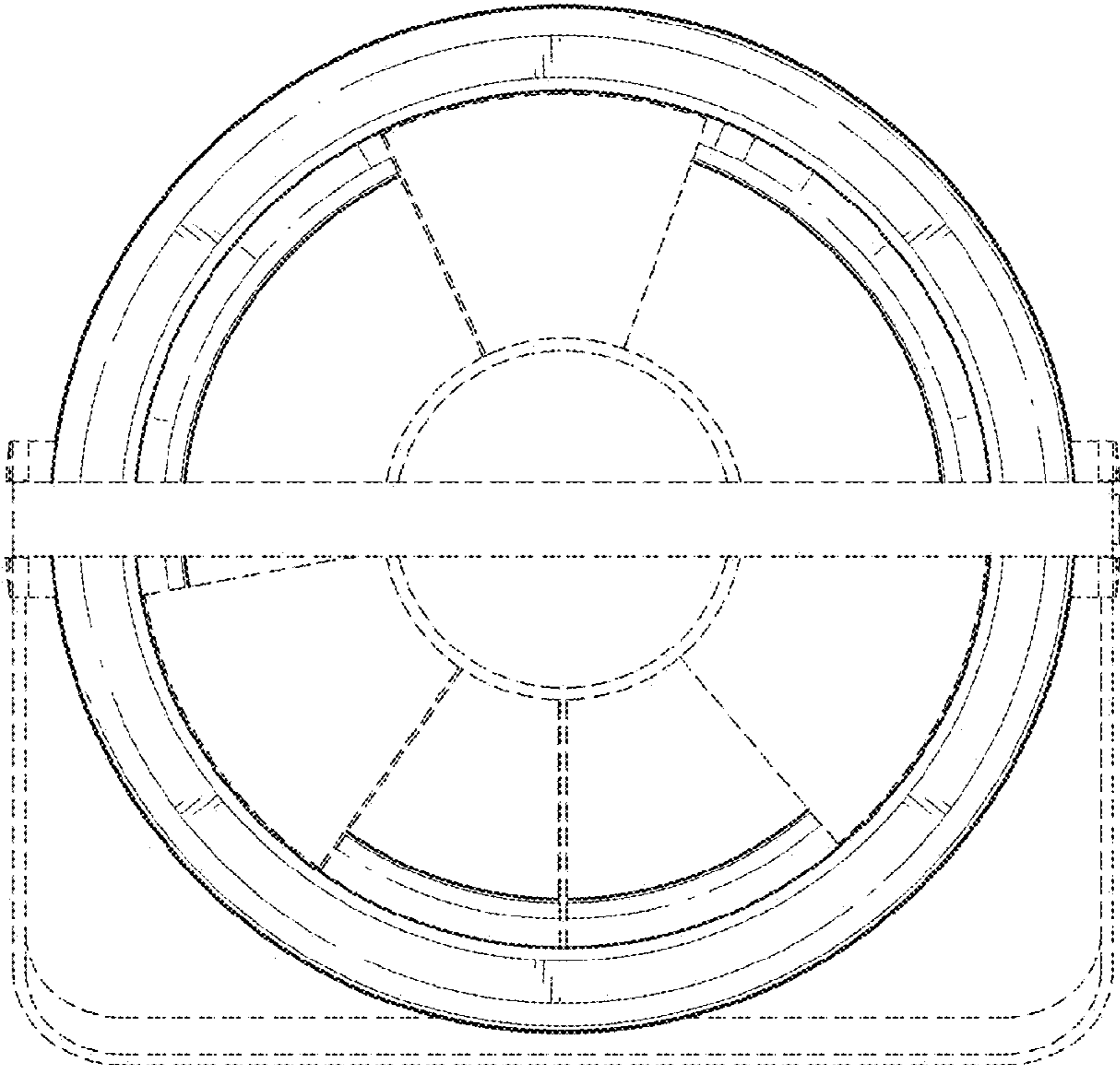


FIG. 7

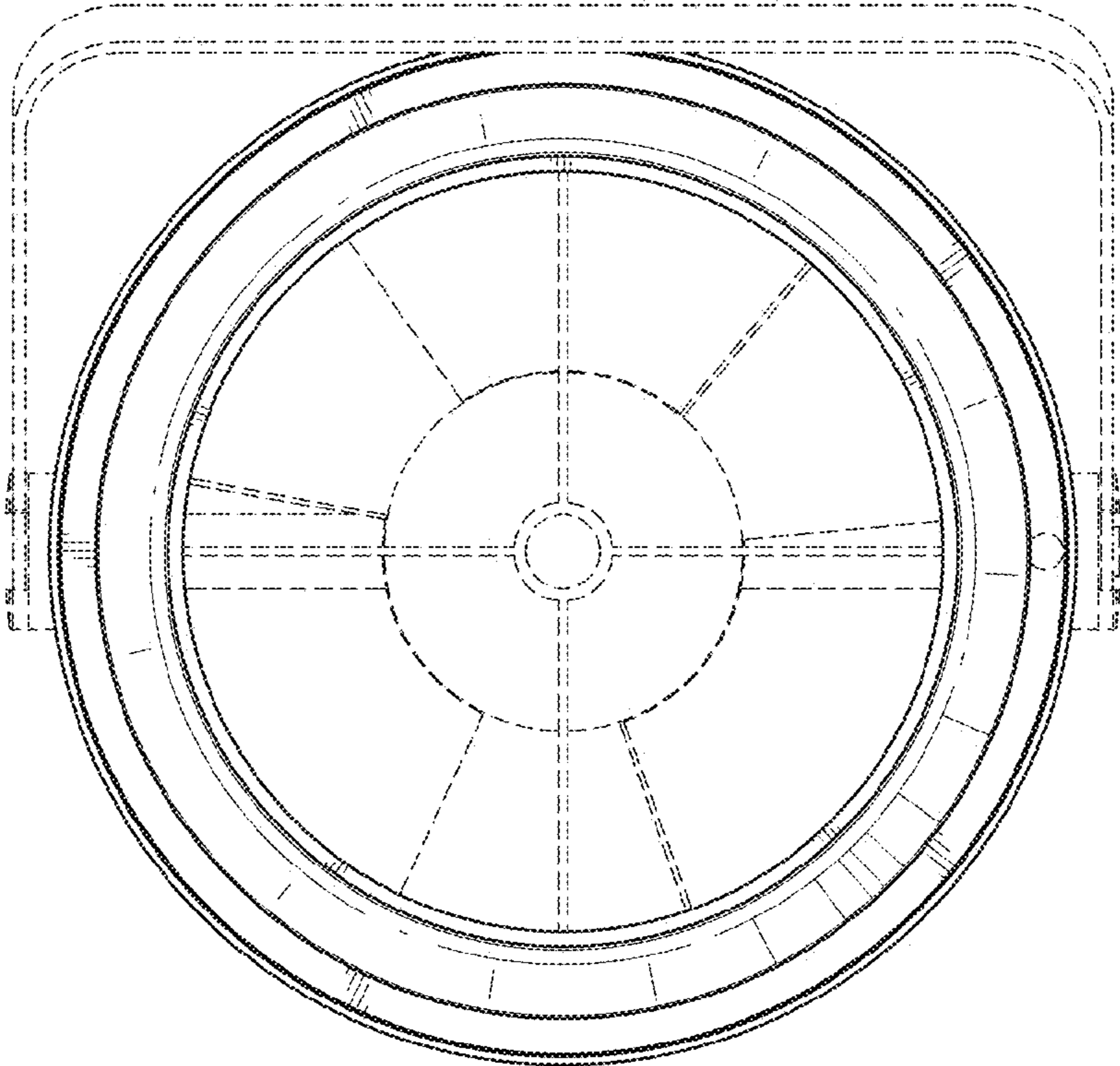


FIG. 8