



US00D885547S

(12) **United States Design Patent** (10) **Patent No.:** **US D885,547 S**
Benamor (45) **Date of Patent:** **** May 26, 2020**

(54) **USB AROMATHERAPY DIFFUSER**

(71) Applicant: **9192-2708 Quebec Inc.**, St-Laurent (CA)

(72) Inventor: **Joe Benamor**, St-Laurent (CA)

(73) Assignee: **9192-2708 Quebec Inc.**, St-Laurent (CA)

(**) Term: **15 Years**

(21) Appl. No.: **29/634,766**

(22) Filed: **Jan. 24, 2018**

(51) **LOC (12) Cl.** **23-04**

(52) **U.S. Cl.**
USPC **D23/366**

(58) **Field of Classification Search**
USPC D23/208, 355-369, 393; D14/209.1, D14/212-213; D8/1, 391
CPC A61L 9/02; A61L 9/03; A61L 9/12; A61L 9/035; A61L 9/125; A61L 2209/15; A61L 2209/16; A61L 2209/133; B05B 1/24
See application file for complete search history.

(56) **References Cited**

U.S. PATENT DOCUMENTS

D418,214 S * 12/1999 Cloutier D23/366
D442,683 S * 5/2001 Wu D23/366
6,609,935 B2 * 8/2003 Huang H01R 13/66
392/390
9,042,712 B2 * 5/2015 Irvin A61L 9/03
392/390

2006/0258215 A1* 11/2006 Lai A61L 9/03
439/607.01
2012/0018529 A1* 1/2012 Gammon A61L 9/03
239/6
2016/0015847 A1* 1/2016 Irvin A61L 9/03
392/390

* cited by examiner

Primary Examiner — Sheryl Lane
Assistant Examiner — Calvin E Vansant
(74) *Attorney, Agent, or Firm* — Mila Shvartsman

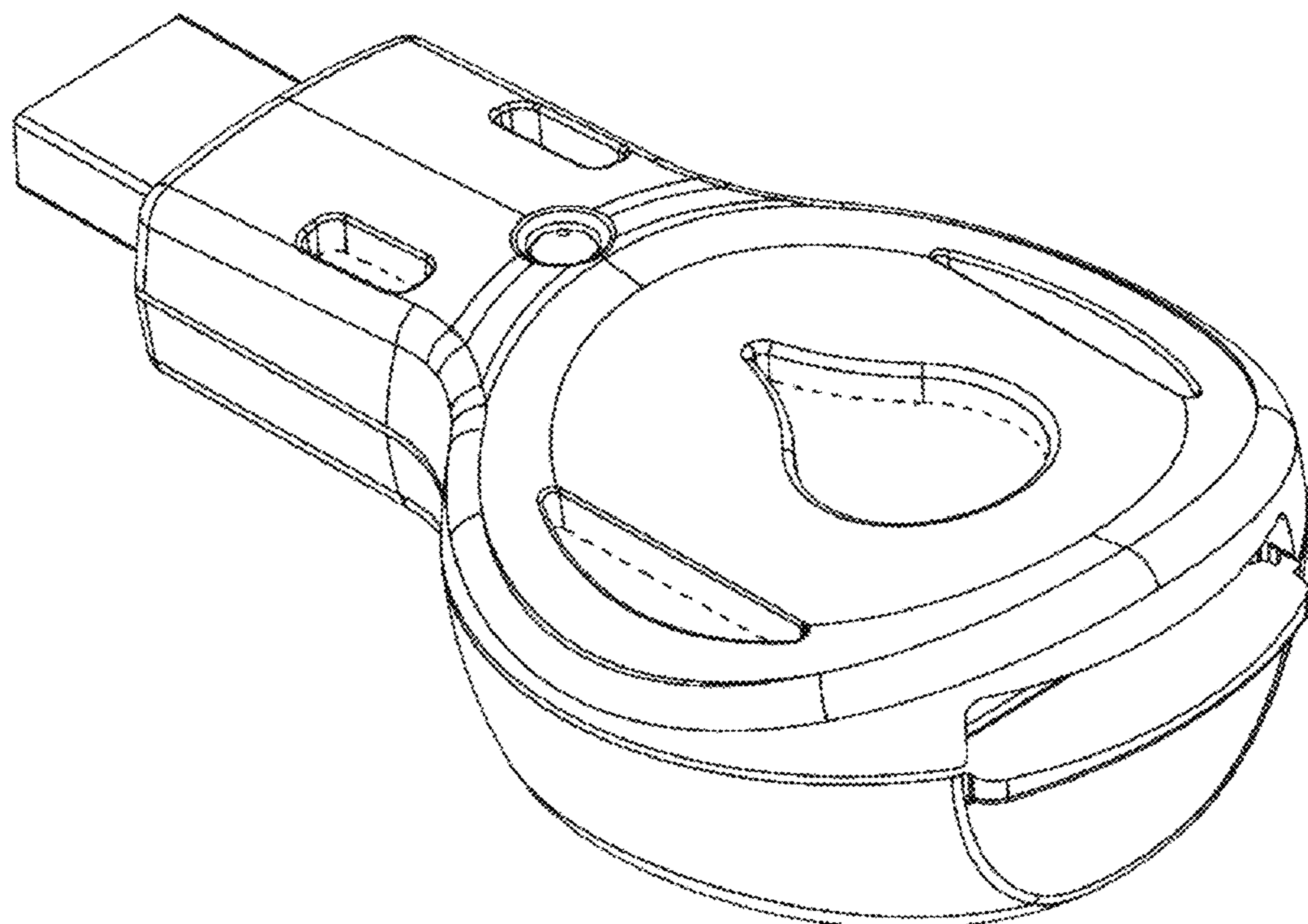
(57) **CLAIM**

The ornamental design for a USB aromatherapy diffuser, as shown and described.

DESCRIPTION

FIG. 1 is a front perspective view of a USB aromatherapy diffuser showing my new design;
FIG. 2 is a rear top perspective side view thereof;
FIG. 3 is a rear view thereof;
FIG. 4 is a front view thereof;
FIG. 5 is a right side view thereof;
FIG. 6 is a left side view thereof;
FIG. 7 is a top view thereof;
FIG. 8 is a bottom view thereof;
FIG. 9 is a top front perspective view thereof;
FIG. 10 is a bottom perspective view thereof; and,
FIG. 11 is a bottom rear perspective view thereof.
The broken lines in the drawings illustrate portions of the USB aromatherapy diffuser that form no part of the claimed design.

1 Claim, 5 Drawing Sheets



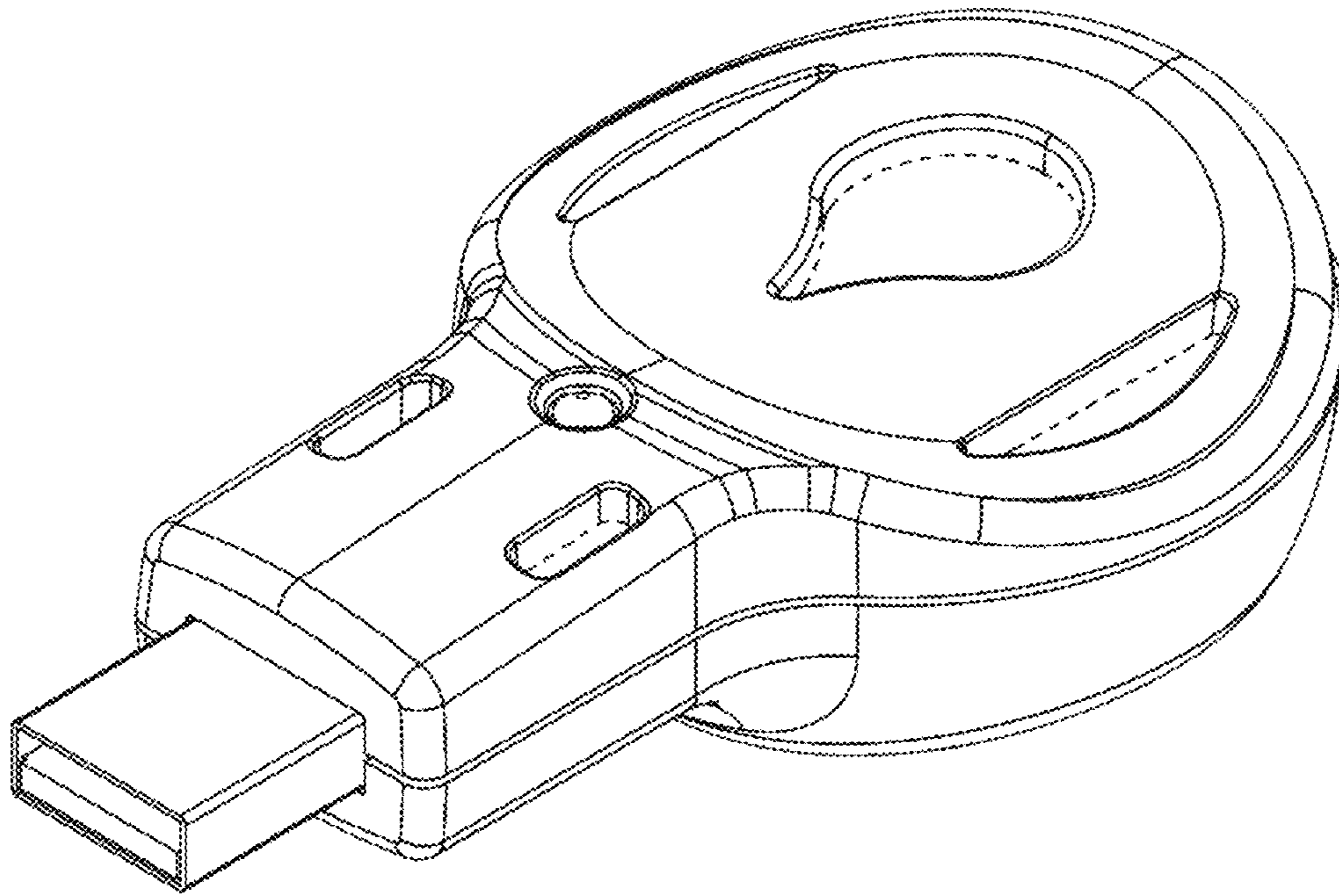


Figure 1

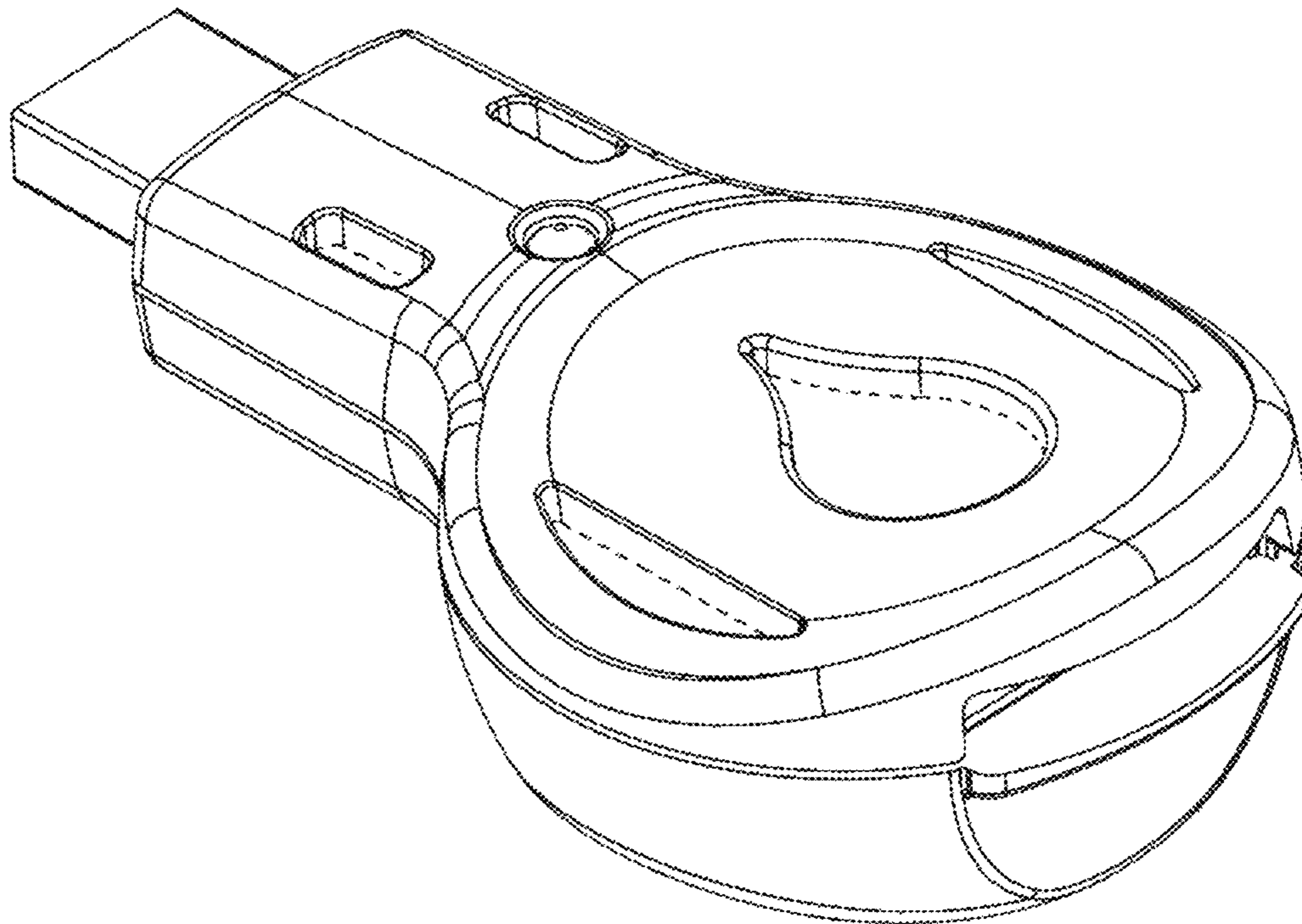


Figure 2

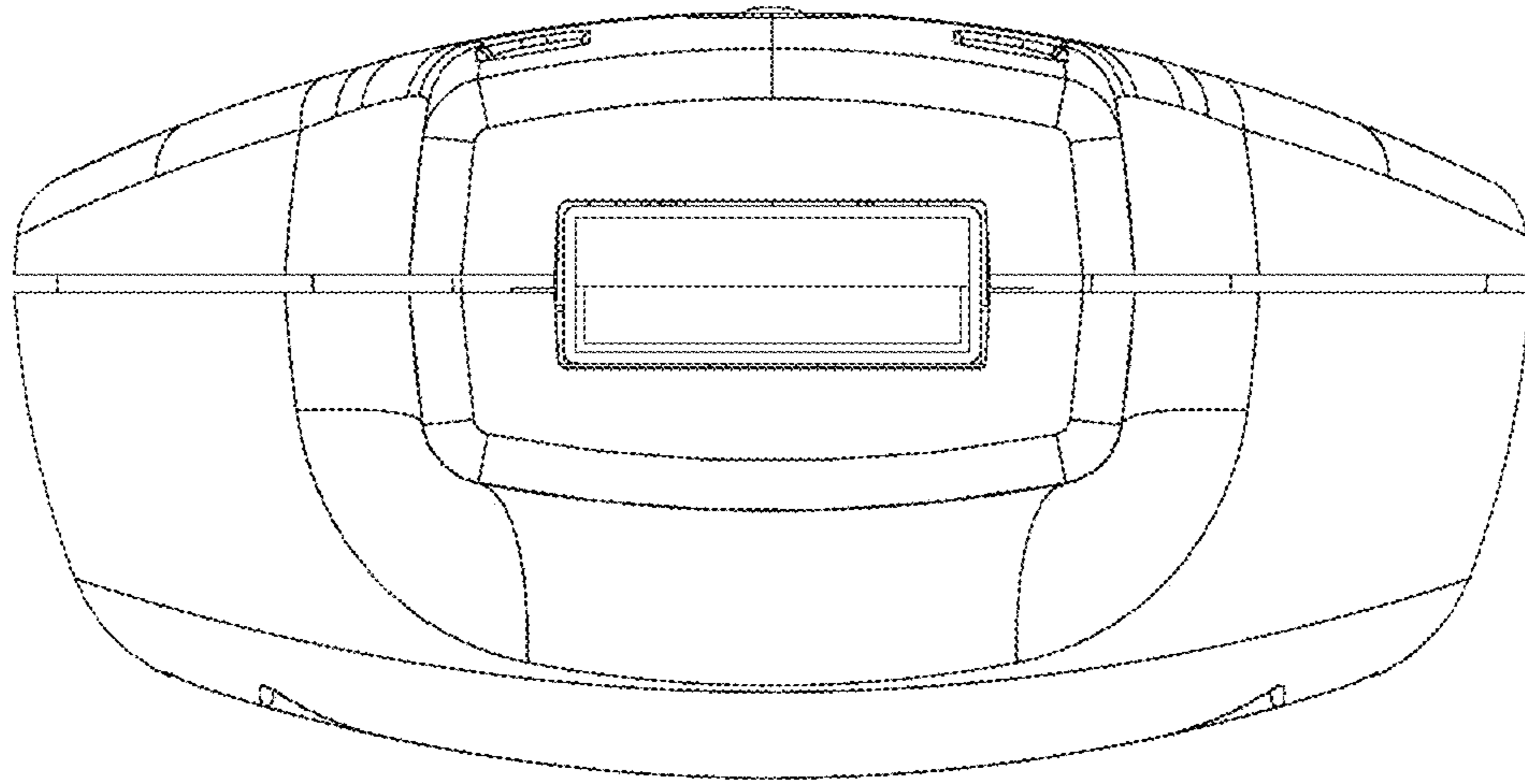


Figure 3

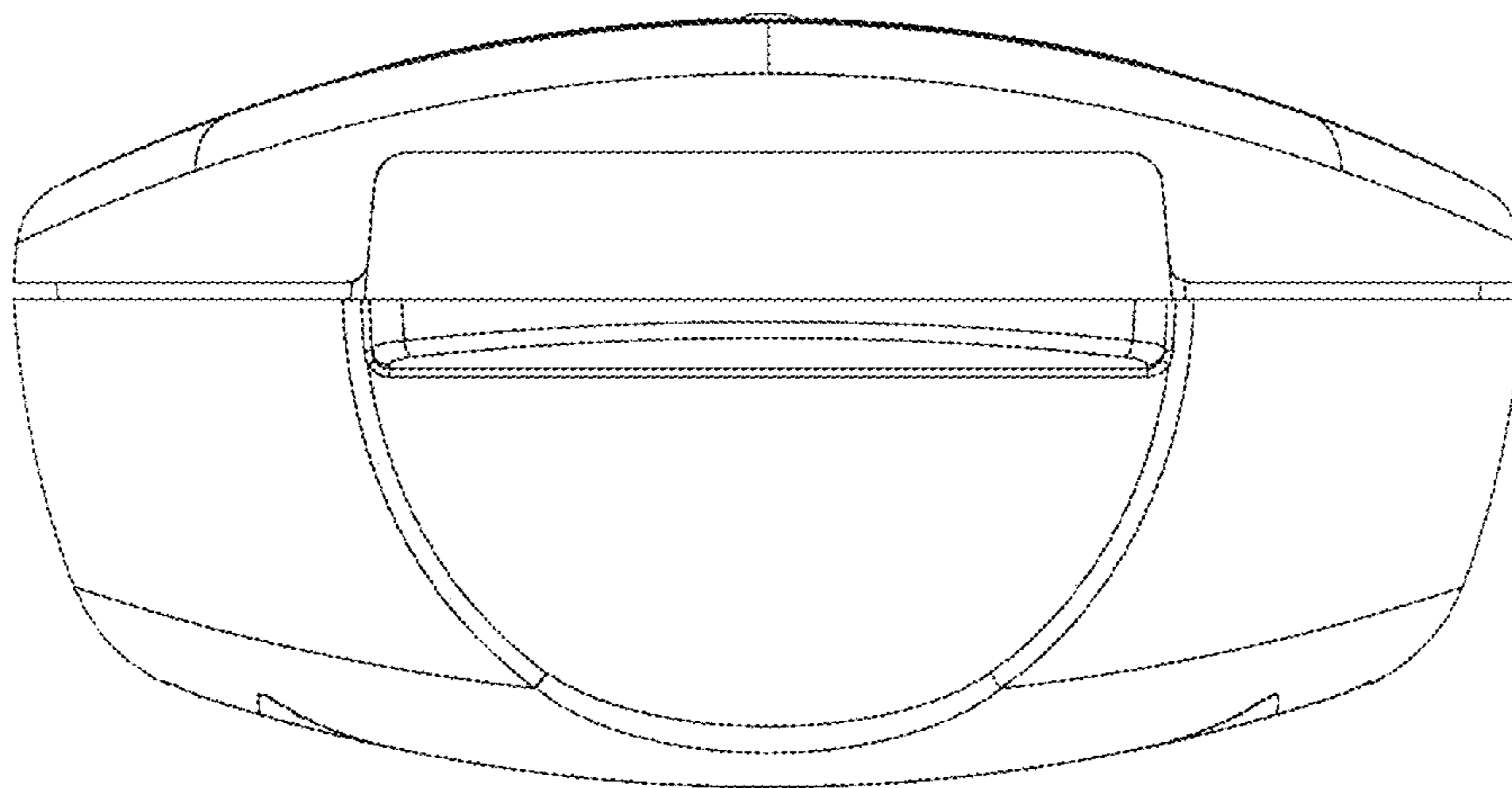


Figure 4

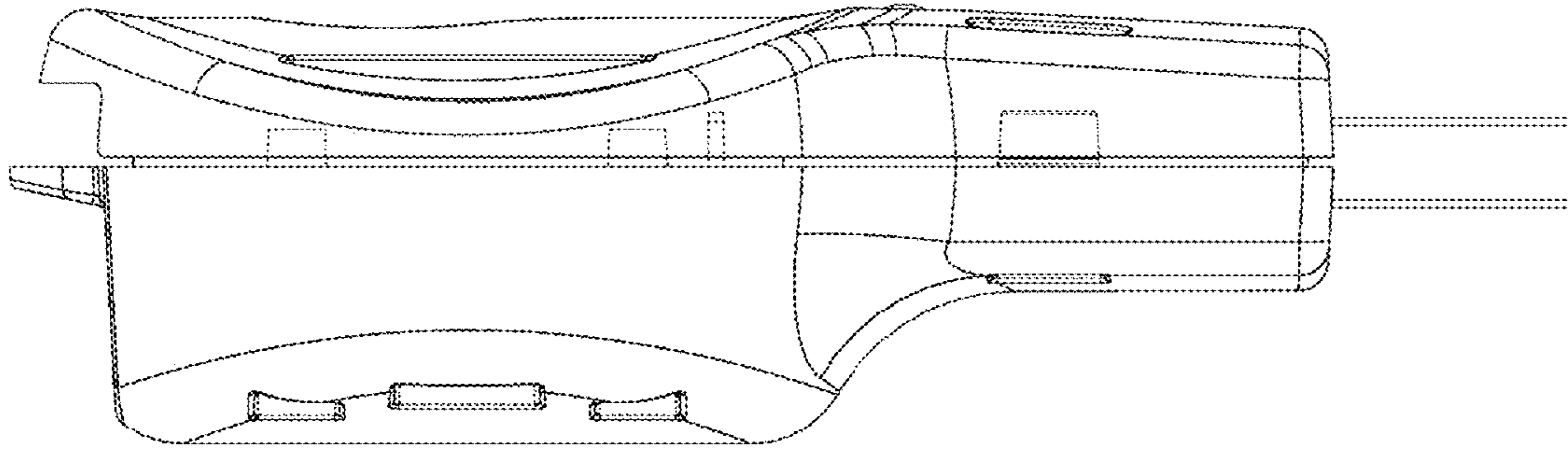


Figure 5

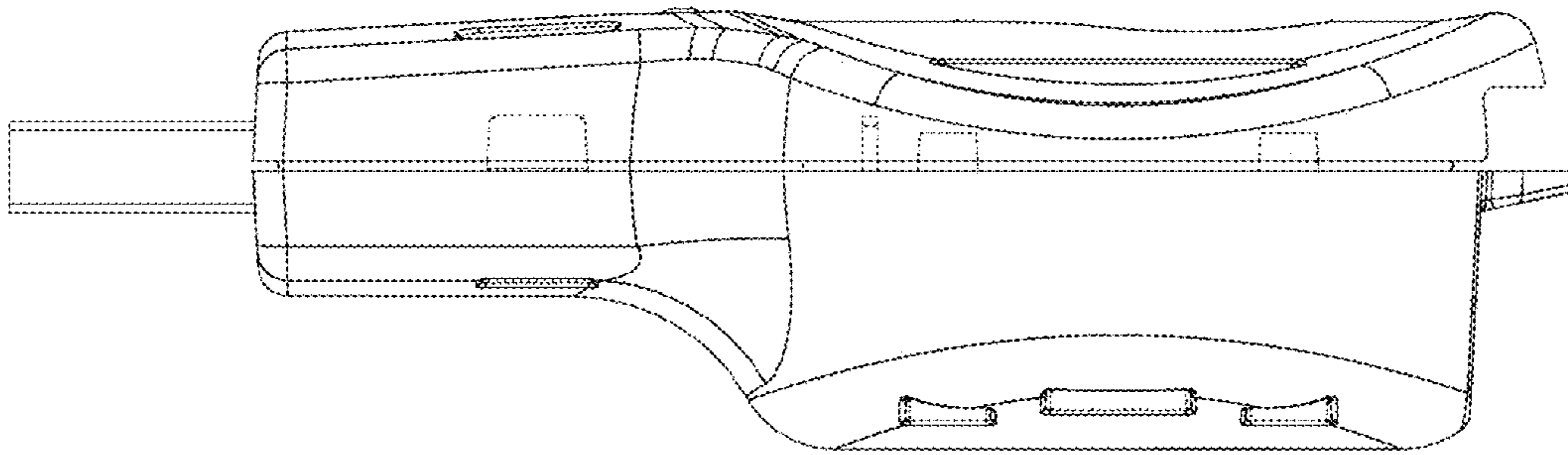


Figure 6

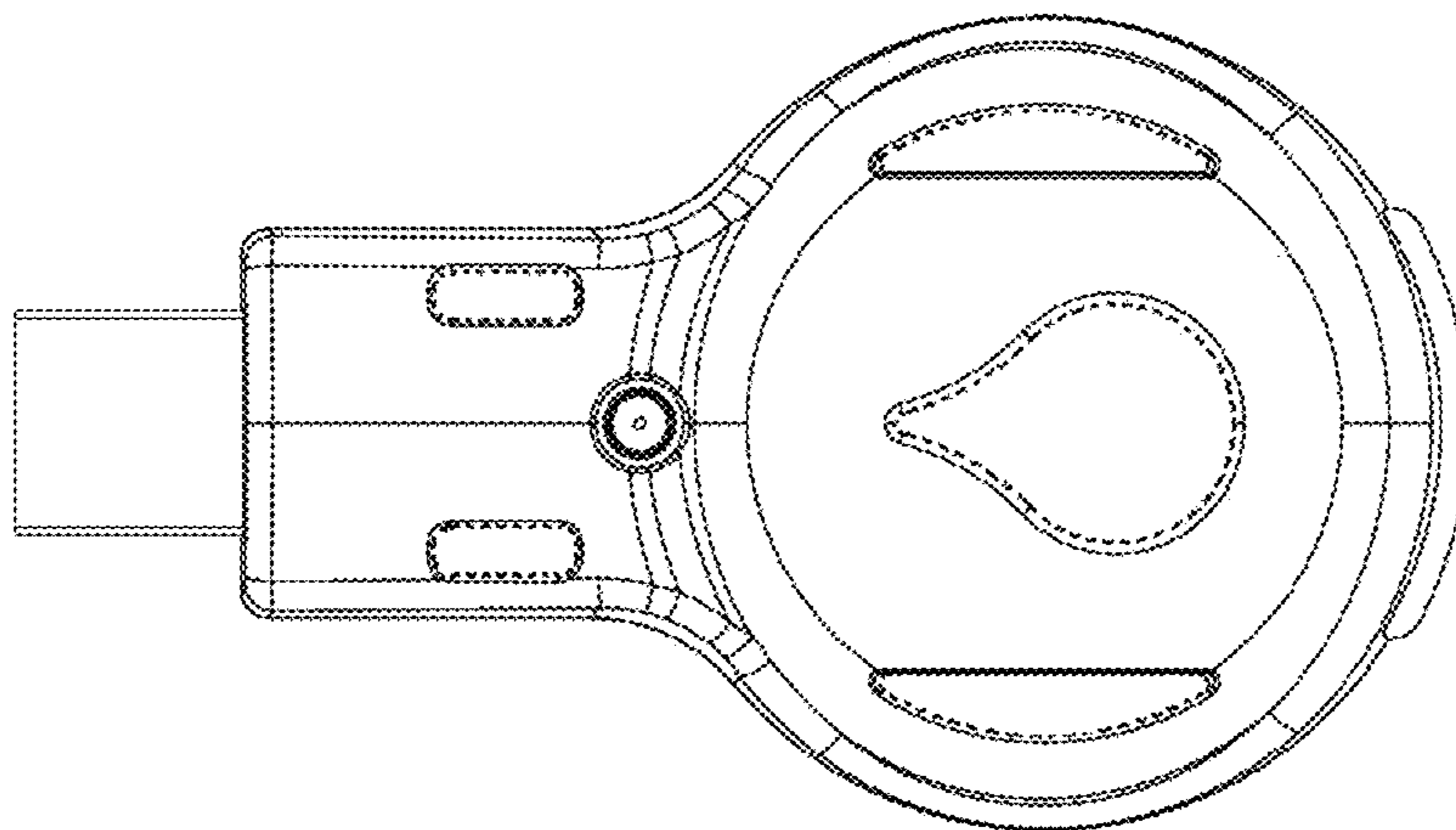


Figure 7

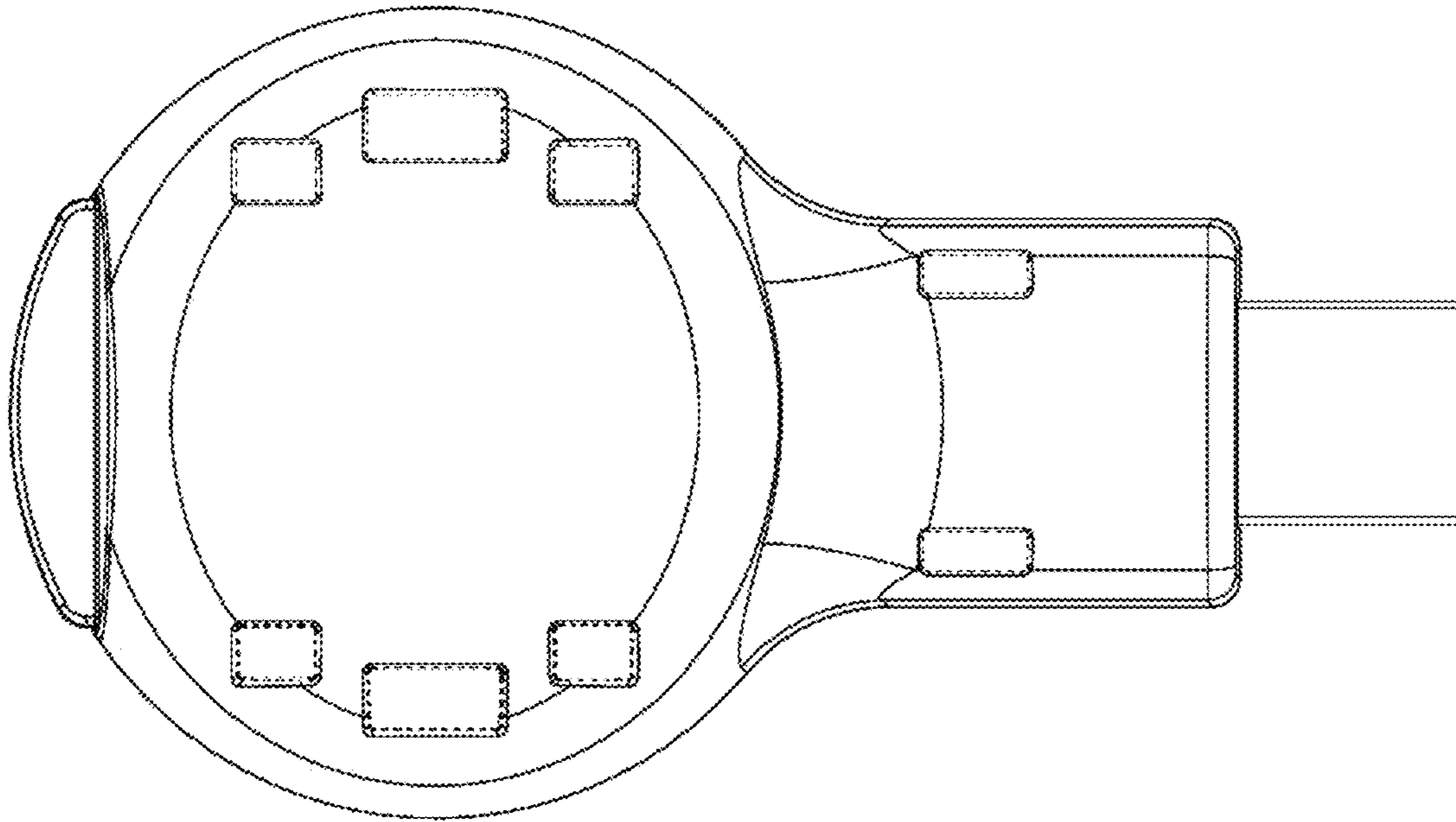


Figure 8

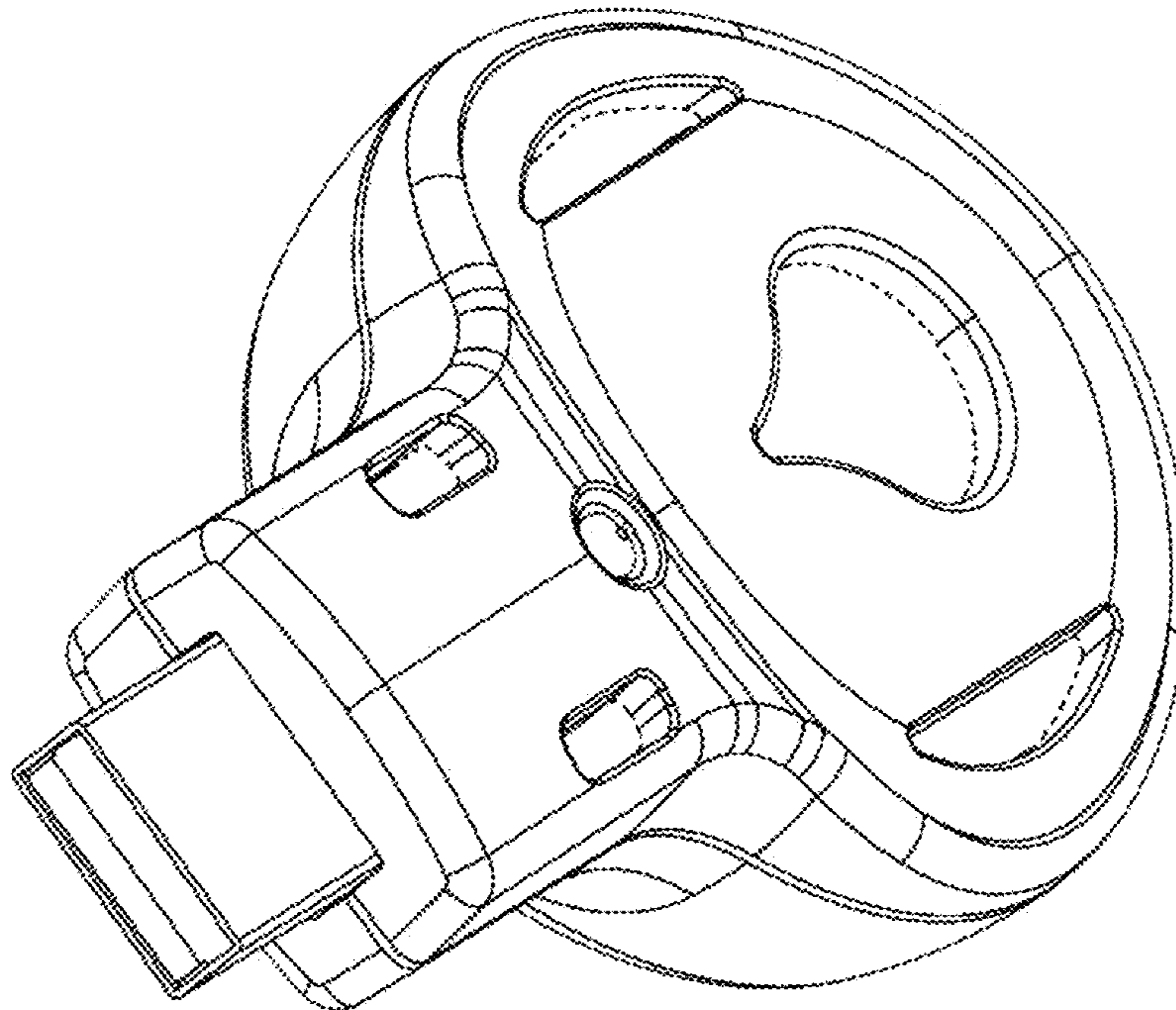


Figure 9

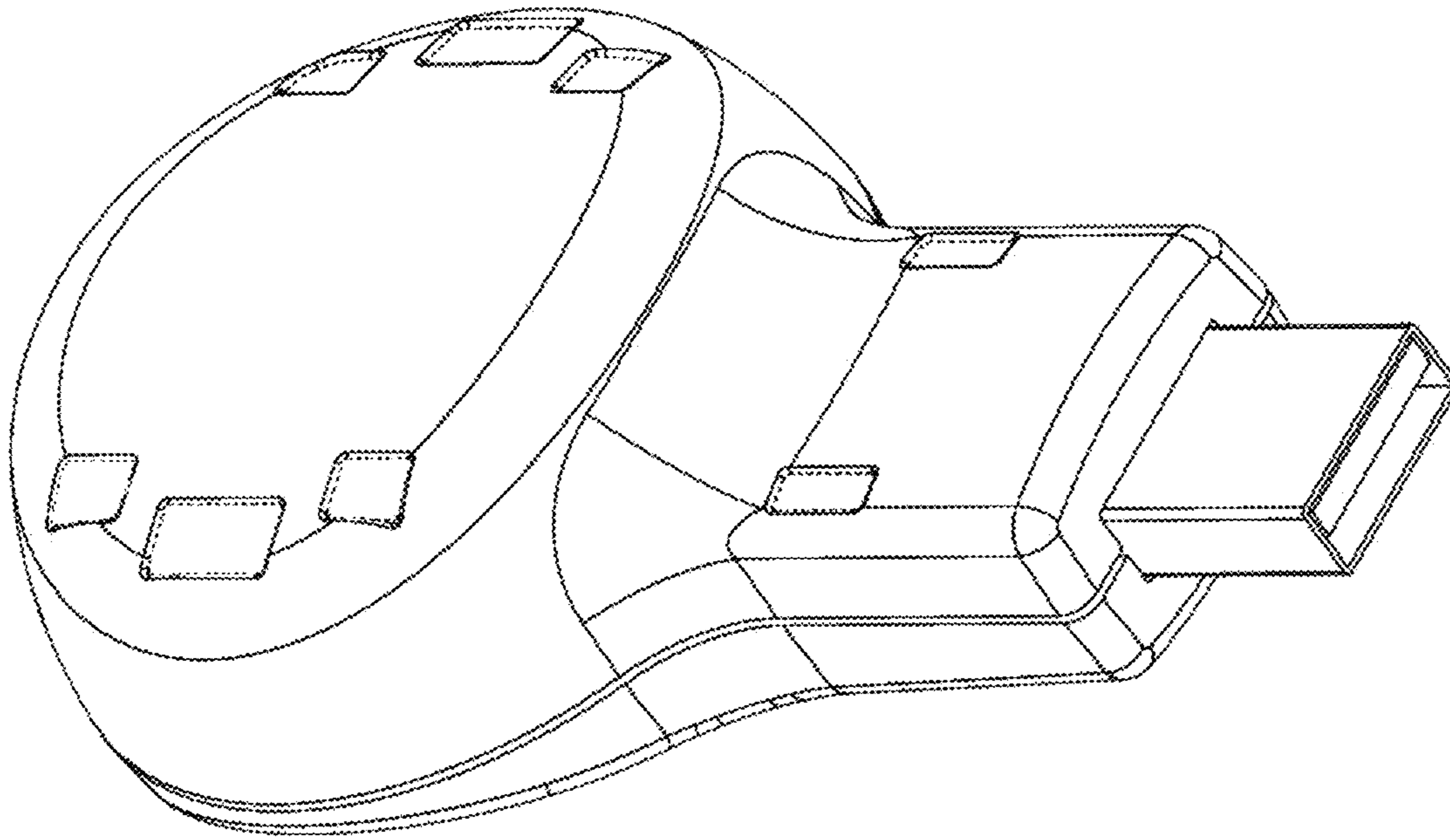


Figure 10

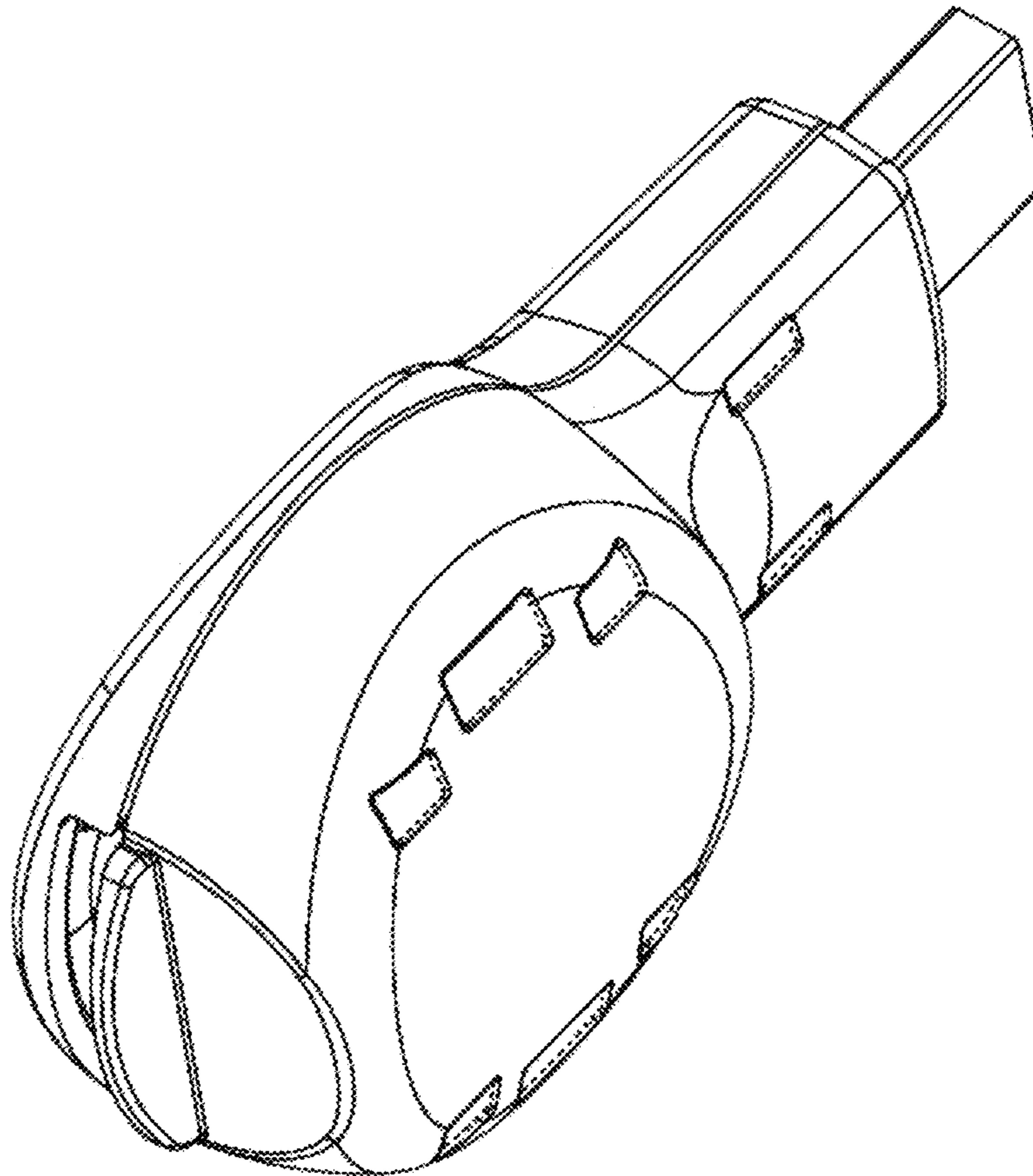


Figure 11