



US00D885544S

(12) **United States Design Patent**
Zeng

(10) **Patent No.:** **US D885,544 S**

(45) **Date of Patent:** **** May 26, 2020**

- (54) **AIR PURIFIER FOR VEHICLE**
- (71) Applicant: **Shenzhen Shenlan Electric Appliance Co. LTD**, Shenzhen (CN)
- (72) Inventor: **Tianxiong Zeng**, Shenzhen (CN)
- (73) Assignee: **SHENZHEN SHENLAN ELECTRIC APPLIANCE CO. LTD**, Shenzhen (CN)

D409,135 S *	5/1999	Davis	D12/420
D535,379 S *	1/2007	Hundertmark	D23/366
D567,918 S *	4/2008	Hundertmark	D23/366
D582,026 S *	12/2008	Weggelaar	D23/366
D613,388 S *	4/2010	Koenig	D23/366
D665,892 S *	8/2012	Mueller	D23/365
D692,118 S *	10/2013	Wu	D23/366
D699,334 S *	2/2014	Alesi	D23/366
D834,693 S *	11/2018	Robinson	D23/366
D874,623 S *	2/2020	Lupi	D23/333
D878,534 S *	3/2020	Wang	D23/366

(**) Term: **15 Years**

* cited by examiner

(21) Appl. No.: **29/692,974**

Primary Examiner — David G Muller

(22) Filed: **May 30, 2019**

(51) **LOC (12) Cl.** **23-04**

(57) **CLAIM**

(52) **U.S. Cl.**
USPC **D23/364**

The ornamental design for an air purifier for vehicle, as shown and described.

(58) **Field of Classification Search**
USPC D23/355–366, 352, 369, 332, 333, 335, D23/336, 342, 351; 422/120, 122; 55/356, 473, 504; 96/97; 261/DIG. 17, 261/DIG. 65, DIG. 88, DIG. 31; D12/420, 223
CPC .. A61L 9/16; A61L 9/22; B01D 47/00; B01D 47/027; B01D 2221/02; B01D 2259/4508; B03C 3/155; B03C 3/368; F24F 3/16; F24F 13/20; F24F 13/28; F24F 2001/0096
See application file for complete search history.

DESCRIPTION

FIG. 1 is a perspective view of an air purifier for vehicle showing my new design;
FIG. 2 is another perspective view thereof;
FIG. 3 is a front elevational view thereof;
FIG. 4 is a rear elevational view thereof;
FIG. 5 is a left side elevational view thereof;
FIG. 6 is a right side elevational view thereof;
FIG. 7 is a top plan view thereof; and,
FIG. 8 is a bottom plan view thereof.

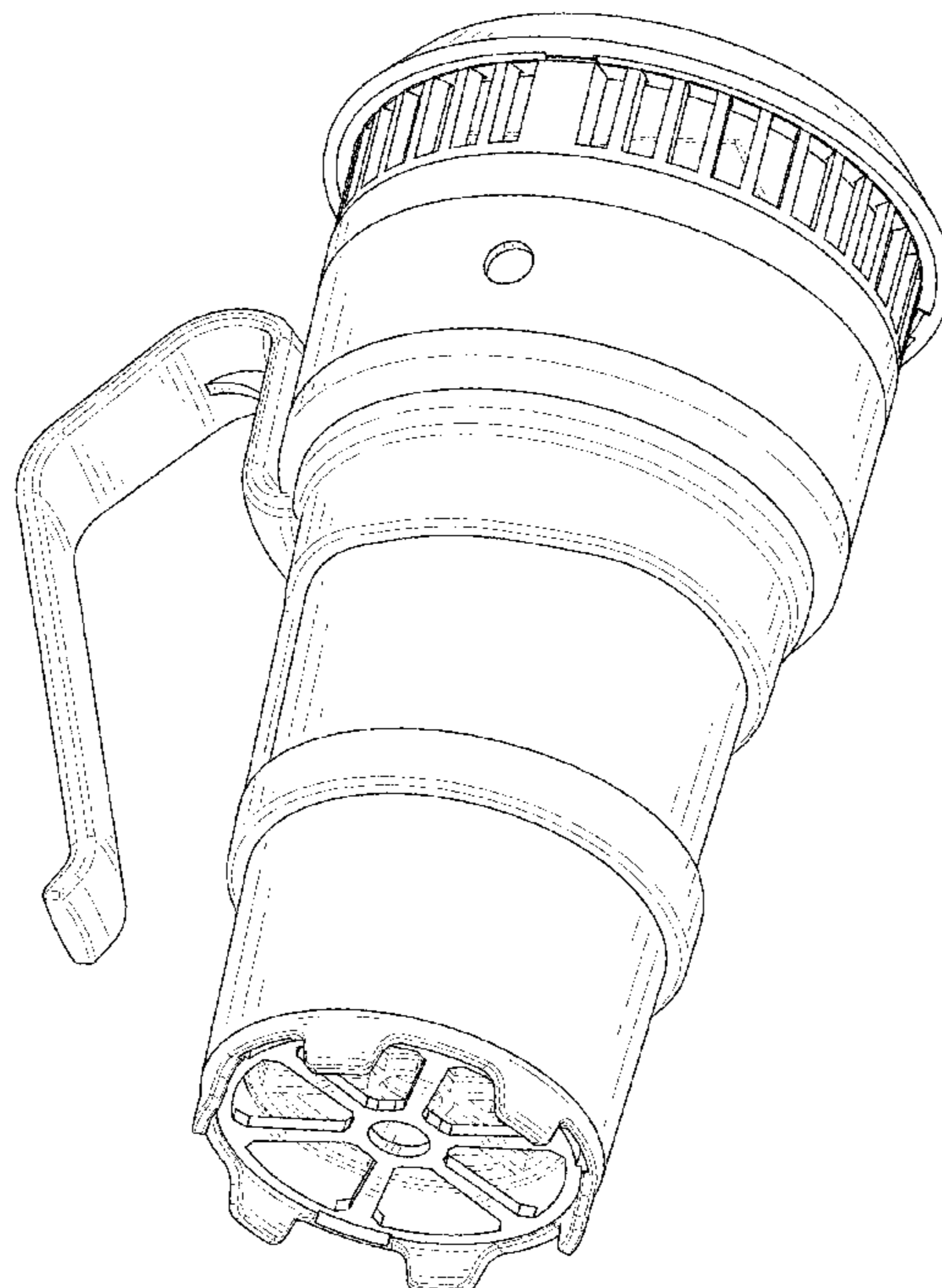
The broken lines in the drawings are for the purpose of illustrating portions of the air purifier for vehicle that form no part of the claimed design.

(56) **References Cited**

U.S. PATENT DOCUMENTS

D337,199 S *	7/1993	Ochs	D12/420
5,813,579 A *	9/1998	Hendrickson	B60N 3/103 224/42.11

1 Claim, 8 Drawing Sheets



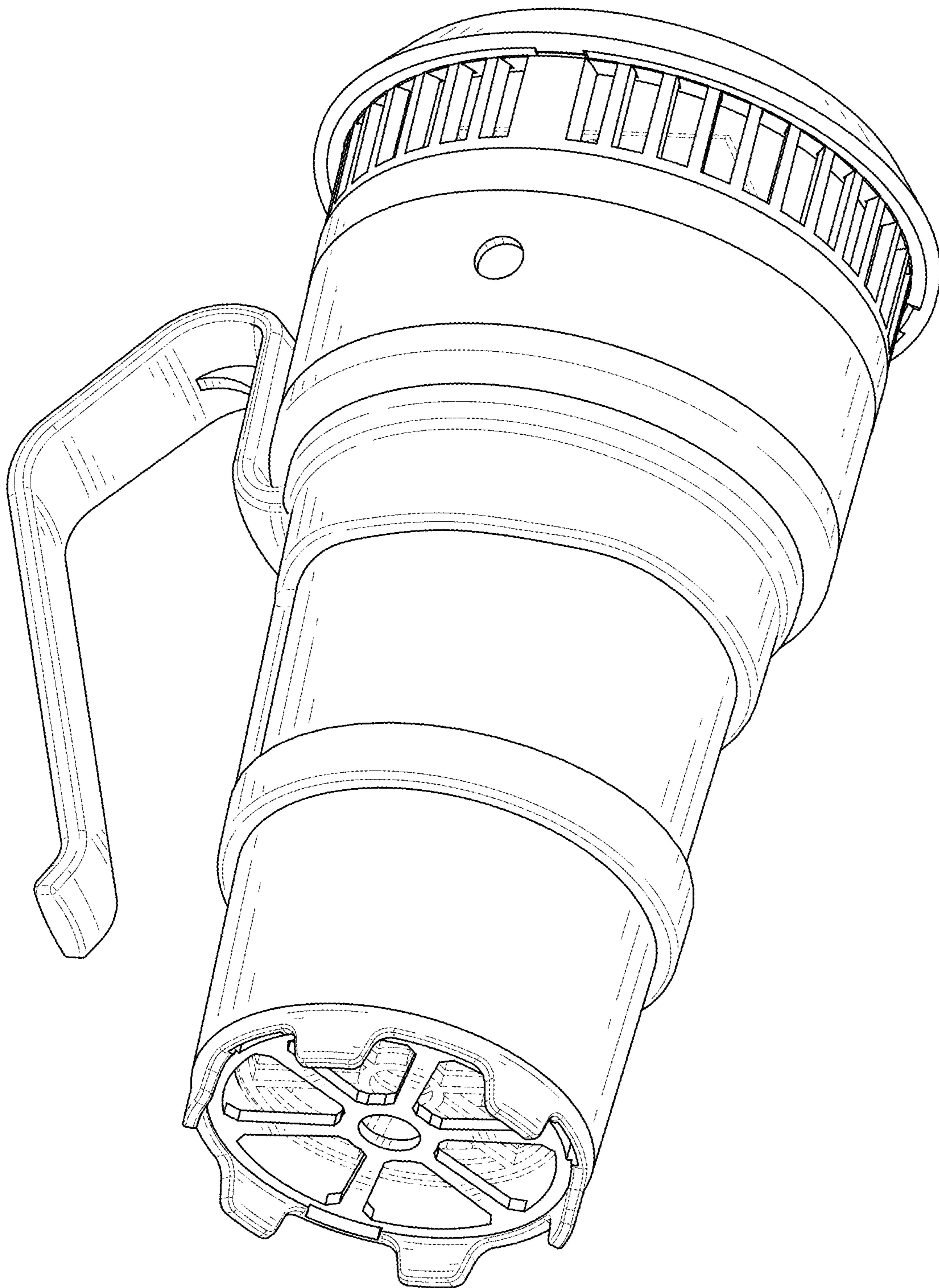


FIG. 1

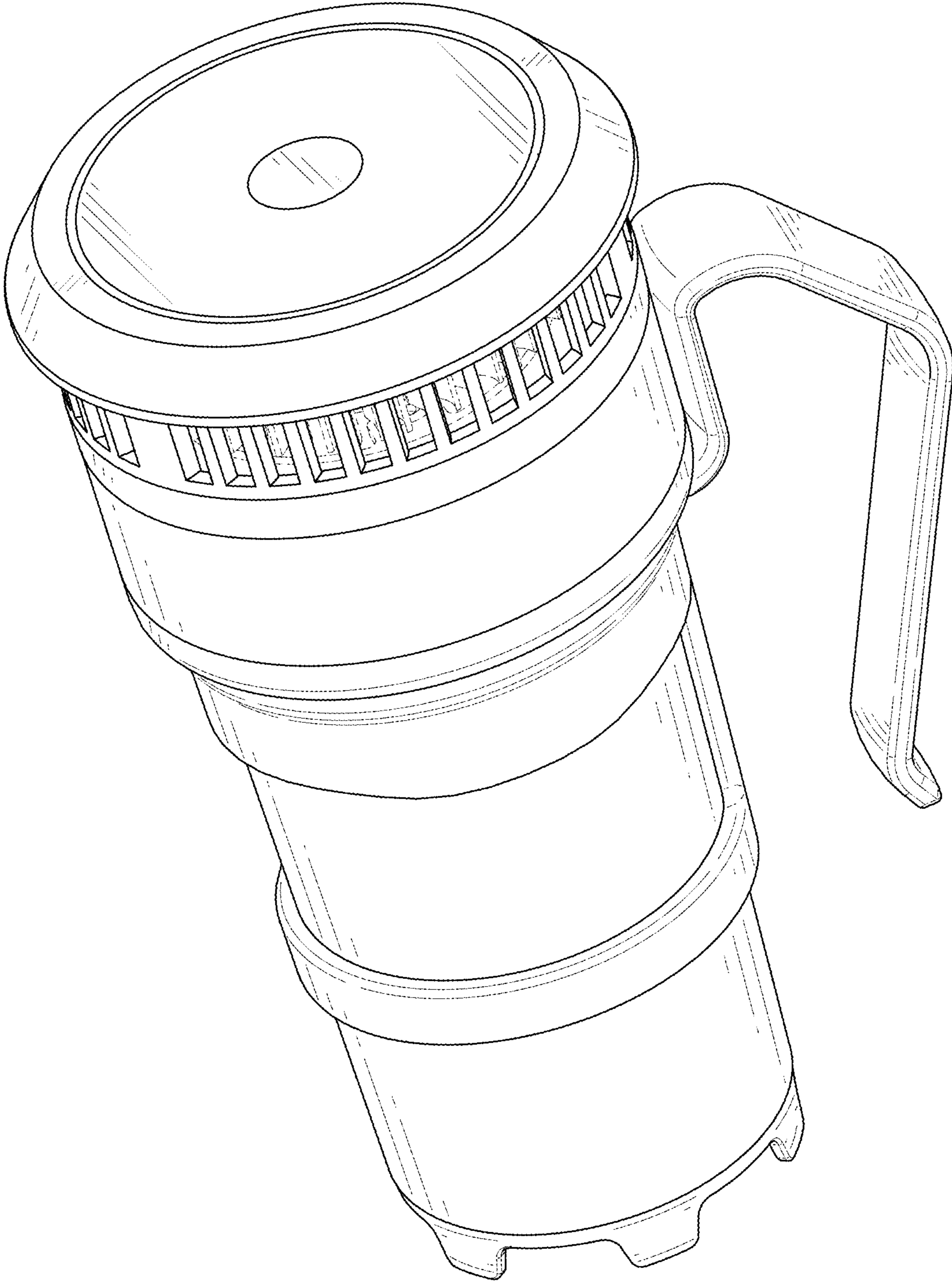


FIG. 2

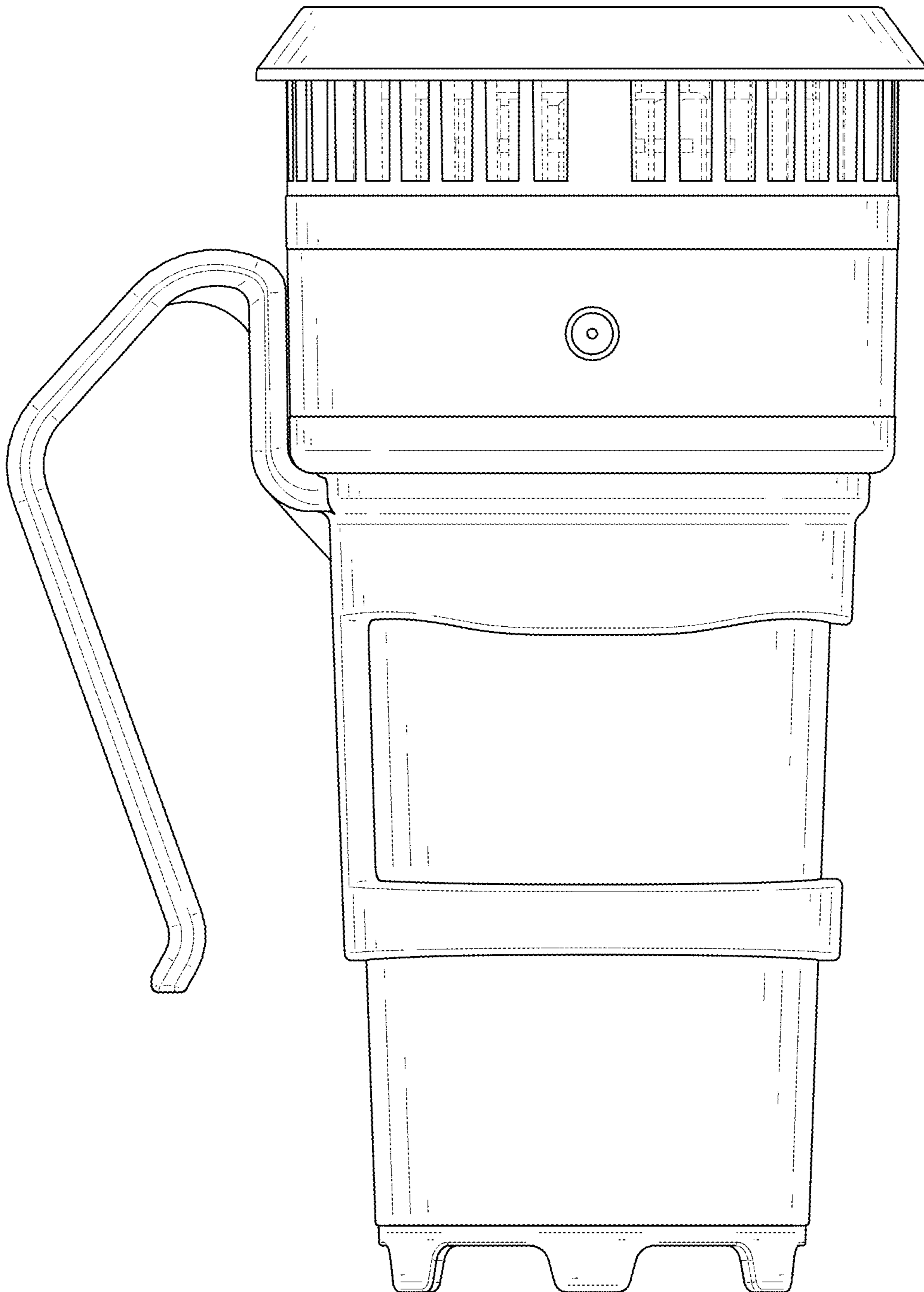


FIG. 3

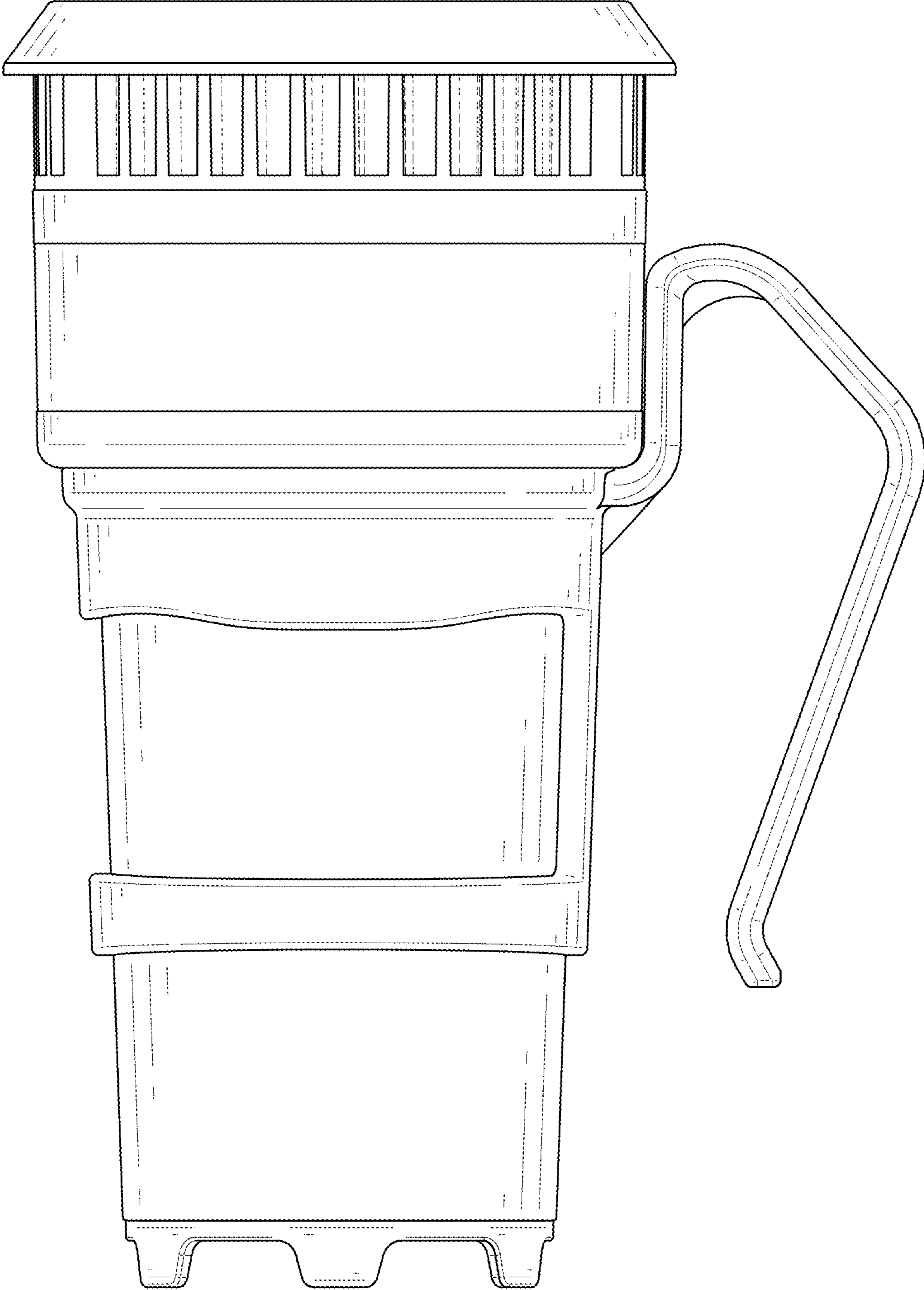


FIG. 4

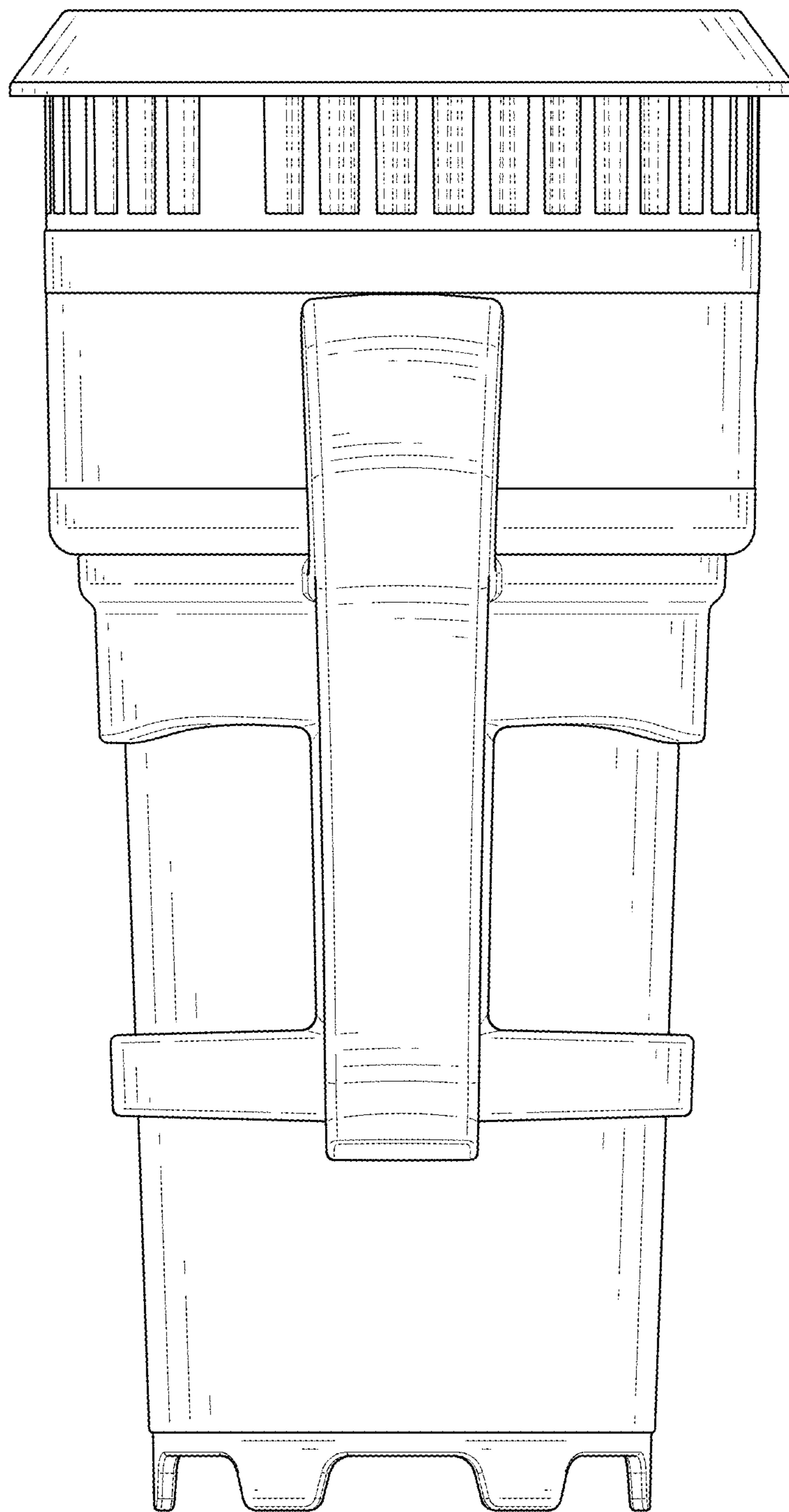


FIG. 5

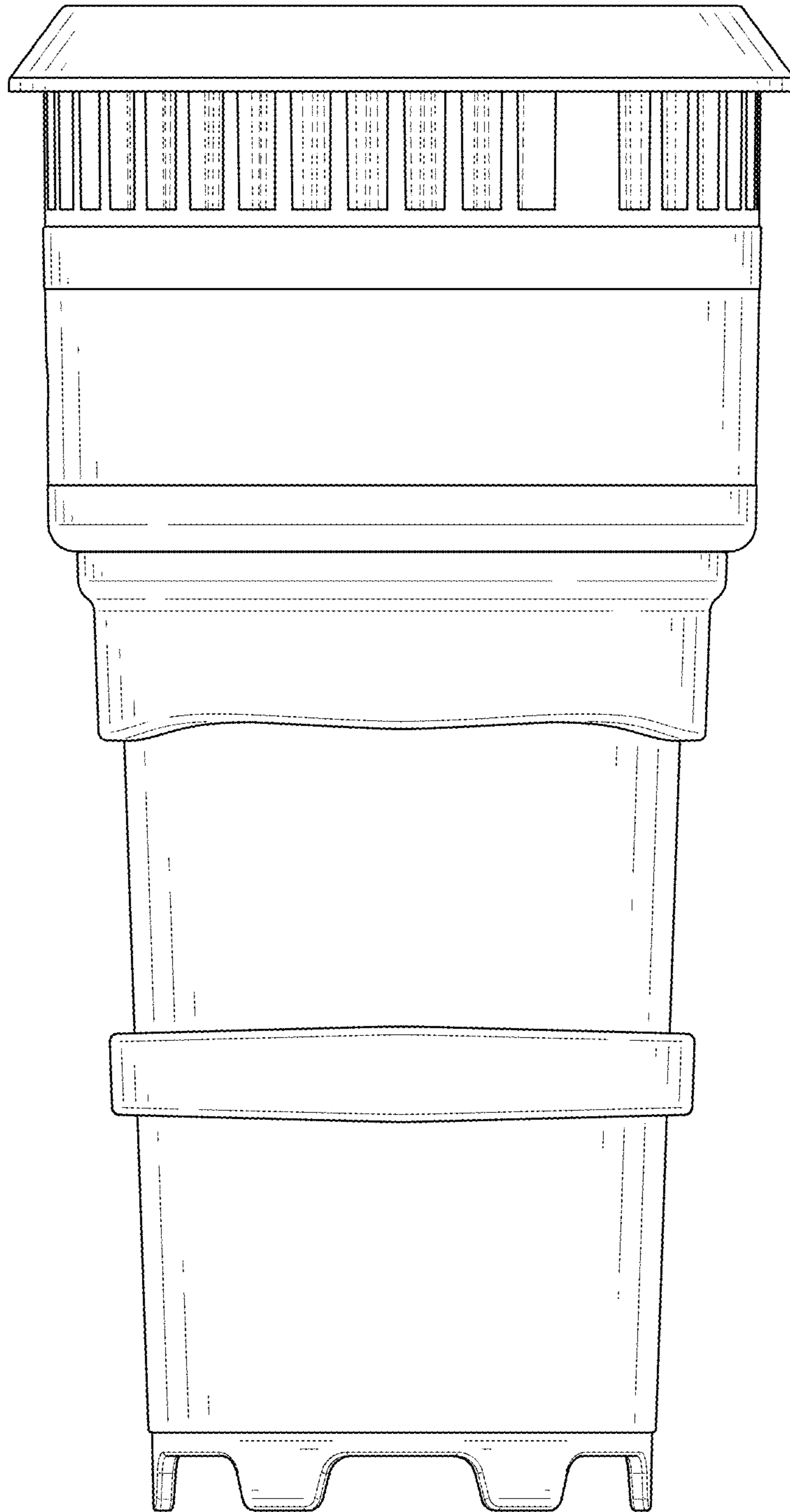


FIG. 6

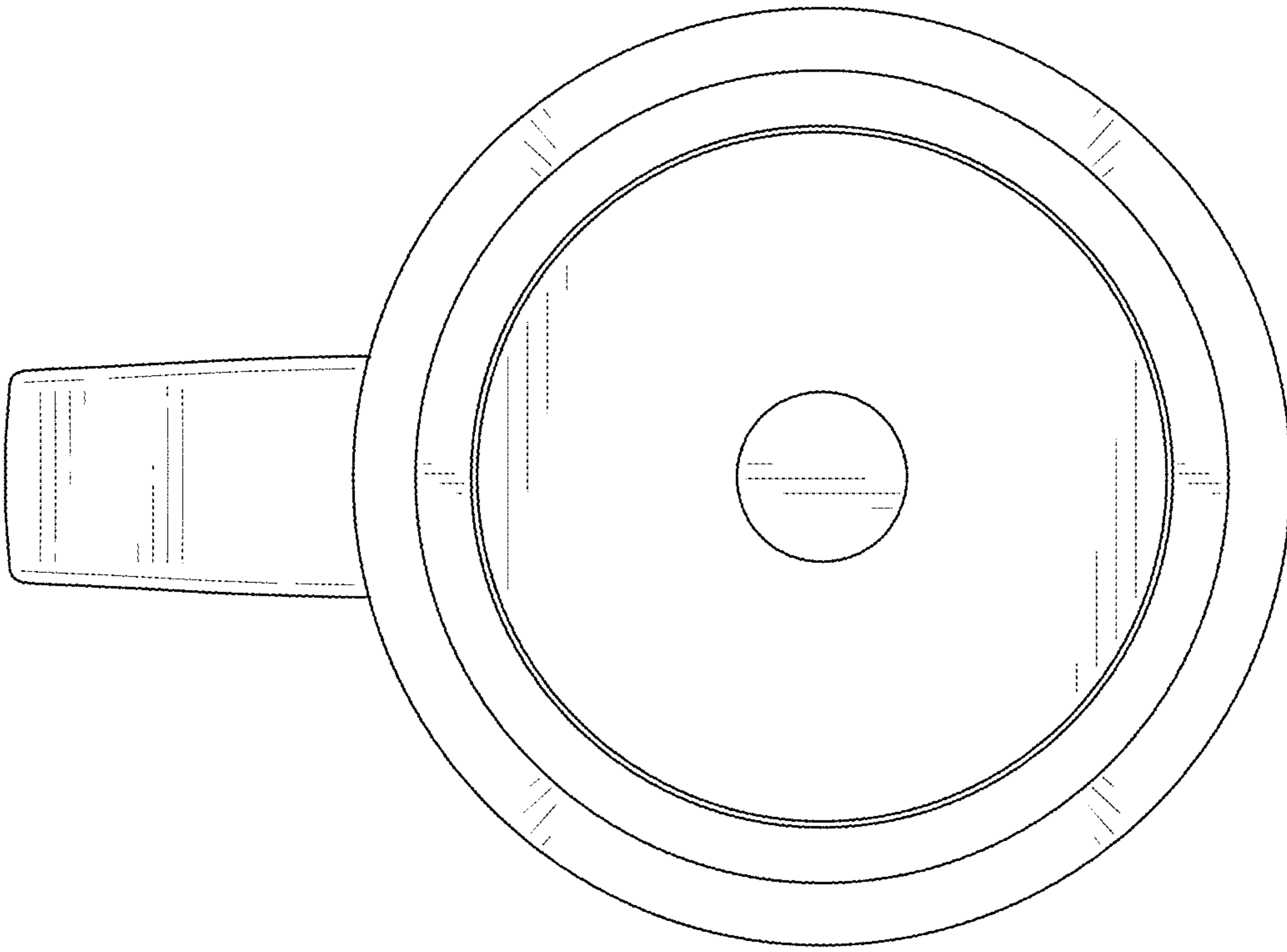


FIG. 7

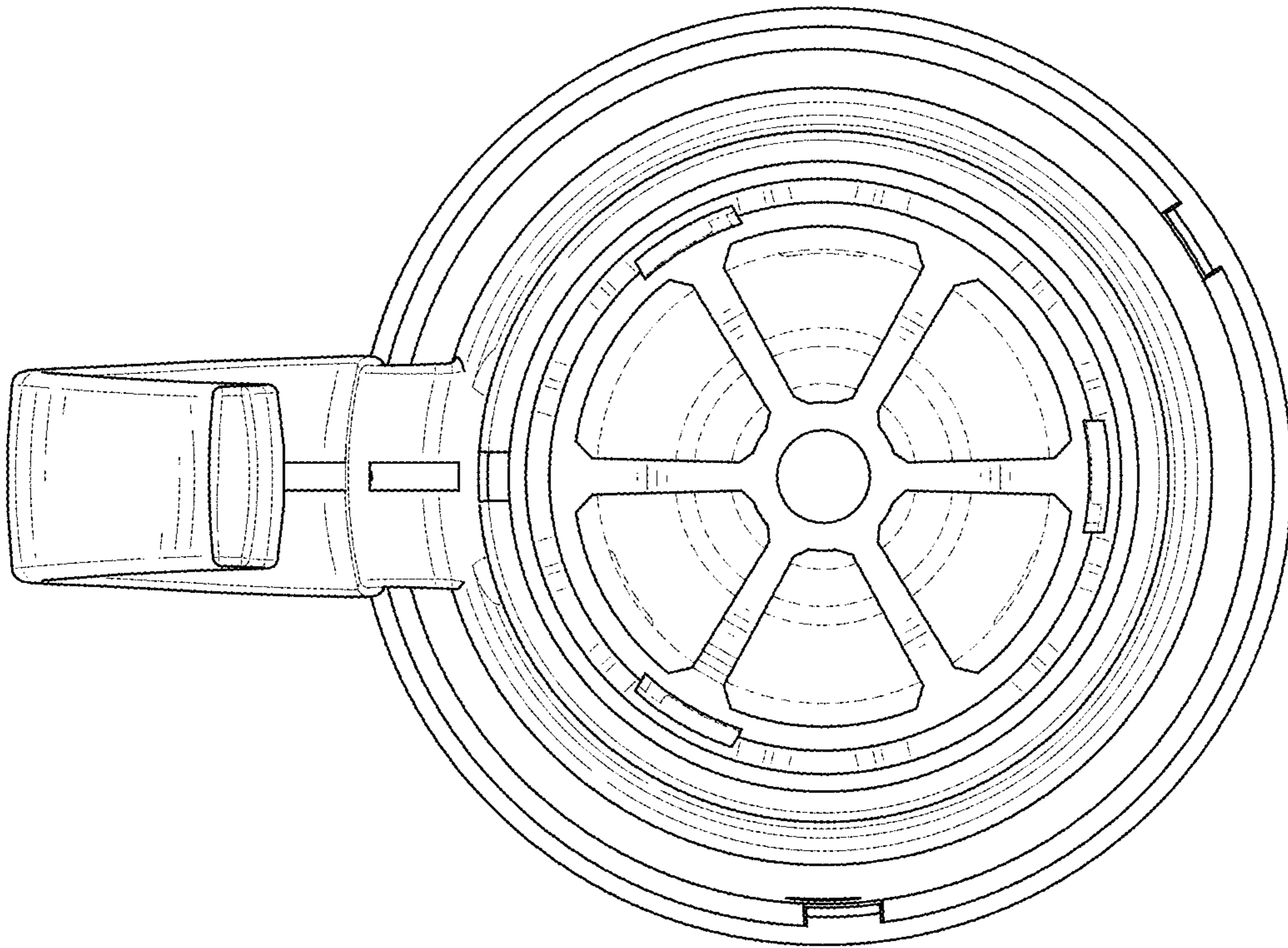


FIG. 8