



US00D885543S

(12) **United States Design Patent**  
**Wang**

(10) **Patent No.:** **US D885,543 S**

(45) **Date of Patent:** **\*\* May 26, 2020**

(54) **AIR PURIFIER**

(71) Applicant: **Ionkini Technology (GZ) Co., Ltd.**,  
Guangzhou, Guangdong (CN)

(72) Inventor: **Haojian Wang**, Guangdong (CN)

(73) Assignee: **Ionkini Technology (GZ) Co., Ltd.**,  
Guangzhou (CN)

(\*\*) Term: **15 Years**

(21) Appl. No.: **29/685,154**

(22) Filed: **Mar. 27, 2019**

(30) **Foreign Application Priority Data**

Nov. 7, 2018 (CN) ..... 2018 3 0628644

(51) **LOC (12) Cl.** ..... **23-04**

(52) **U.S. Cl.**  
USPC ..... **D23/364**

(58) **Field of Classification Search**

USPC ..... D23/355-366, 352, 369, 332, 333, 335,  
D23/336, 342, 351; 422/120, 122;  
55/356, 473, 504; 96/97; 261/DIG. 17,  
261/DIG. 65, DIG. 88, DIG. 31  
CPC .. A61L 9/16; A61L 9/22; B01D 47/00; B01D  
47/027; B01D 2221/02; B01D 2259/4508;  
B03C 3/155; B03C 3/368; F24F 3/16;  
F24F 13/20; F24F 13/28; F24F  
2001/0096

See application file for complete search history.

(56) **References Cited**

**U.S. PATENT DOCUMENTS**

D513,070 S \* 12/2005 Haranaka ..... D23/355  
D633,610 S \* 3/2011 Wu ..... D23/366

D644,725 S \* 9/2011 Kim ..... D23/366  
D657,034 S \* 4/2012 Chouji ..... D23/351  
D674,069 S \* 1/2013 Vetu ..... D23/364  
D683,439 S \* 5/2013 Choi ..... D23/364  
D733,278 S \* 6/2015 Newlin ..... D23/366  
D748,771 S \* 2/2016 Dietrich ..... D23/366  
D852,343 S \* 6/2019 Kosuge ..... D23/351  
D852,937 S \* 7/2019 Kim ..... D23/351  
D861,145 S \* 9/2019 Fang ..... D23/333  
D876,599 S \* 2/2020 He ..... D23/364  
D878,533 S \* 3/2020 Gabriel ..... D23/365

\* cited by examiner

*Primary Examiner* — David G Muller

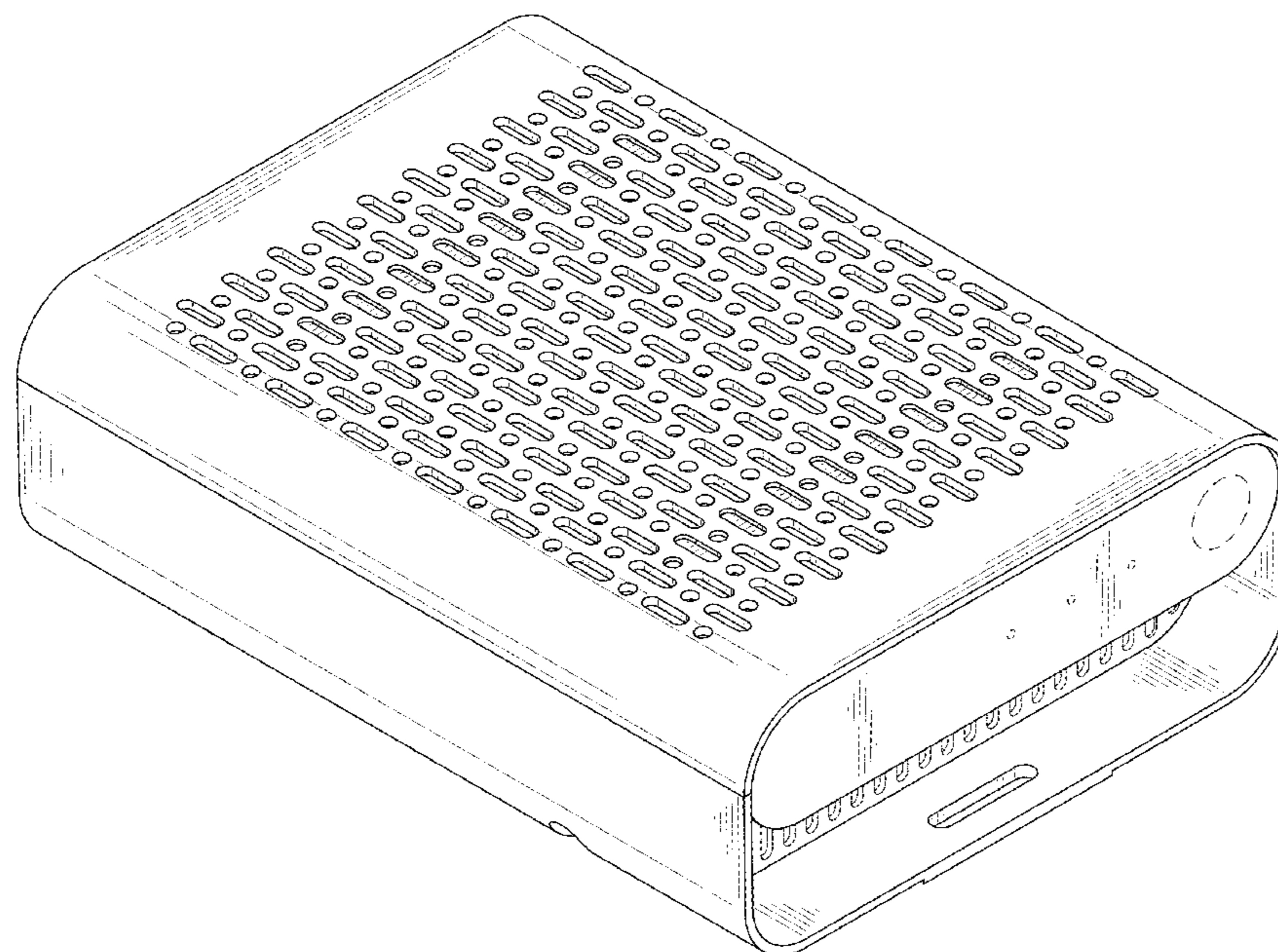
(57) **CLAIM**

The ornamental design for an air purifier, as shown and described.

**DESCRIPTION**

FIG. 1 is a top, front and right side perspective view of an air purifier showing my new design;  
FIG. 2 is a bottom, front and left side perspective view thereof;  
FIG. 3 is a top plan view thereof;  
FIG. 4 is a bottom plan view thereof;  
FIG. 5 is a left side view thereof;  
FIG. 6 is a right side view thereof;  
FIG. 7 is a rear elevational view thereof;  
FIG. 8 is a front elevational view thereof; and,  
FIG. 9 is an enlarged view of portion 9 in FIG. 2.  
The broken lines in the drawings illustrate portions of the air purifier which form no part of the claimed design.

**1 Claim, 9 Drawing Sheets**



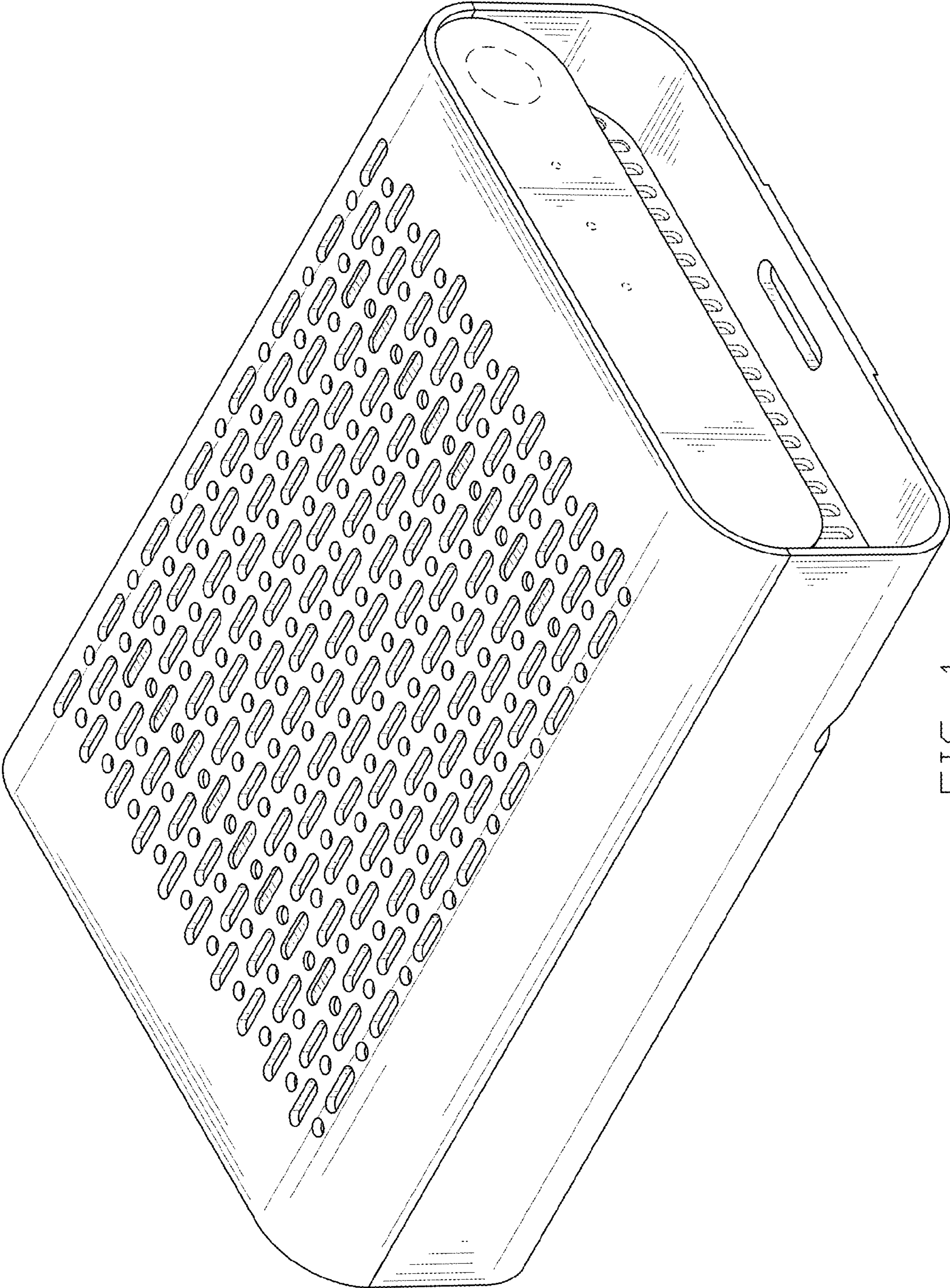


FIG. 1

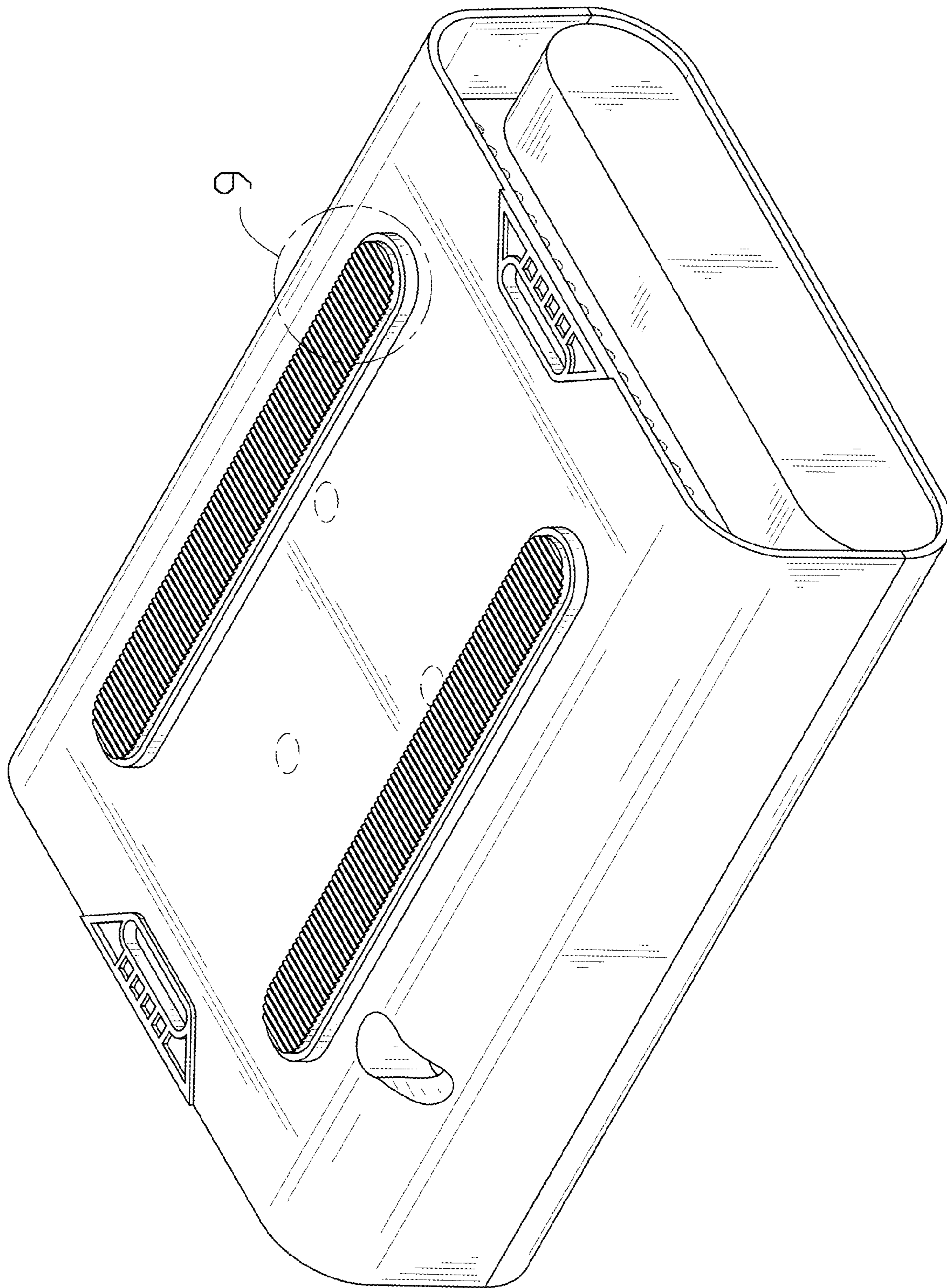


FIG. 2

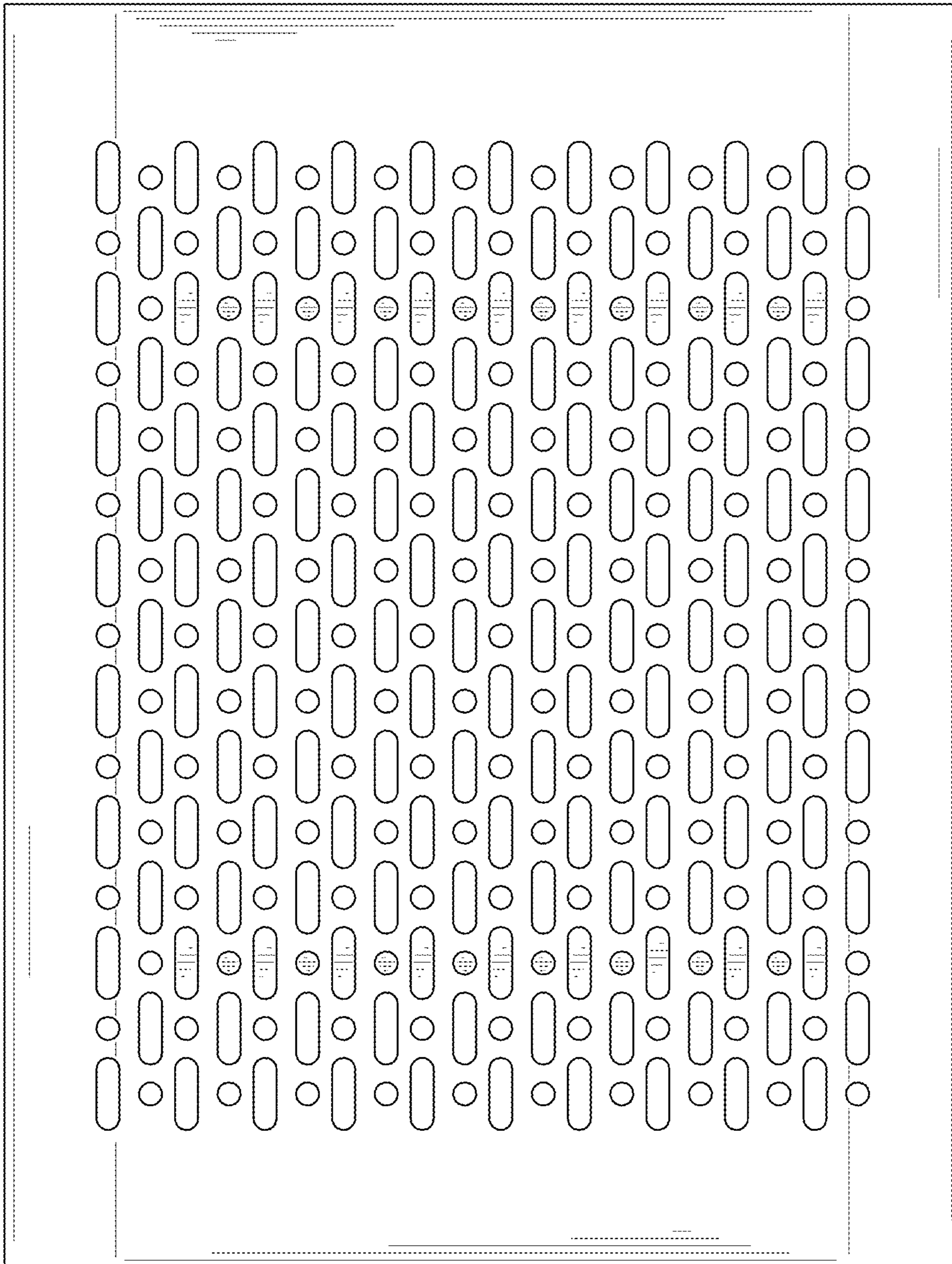


FIG. 3

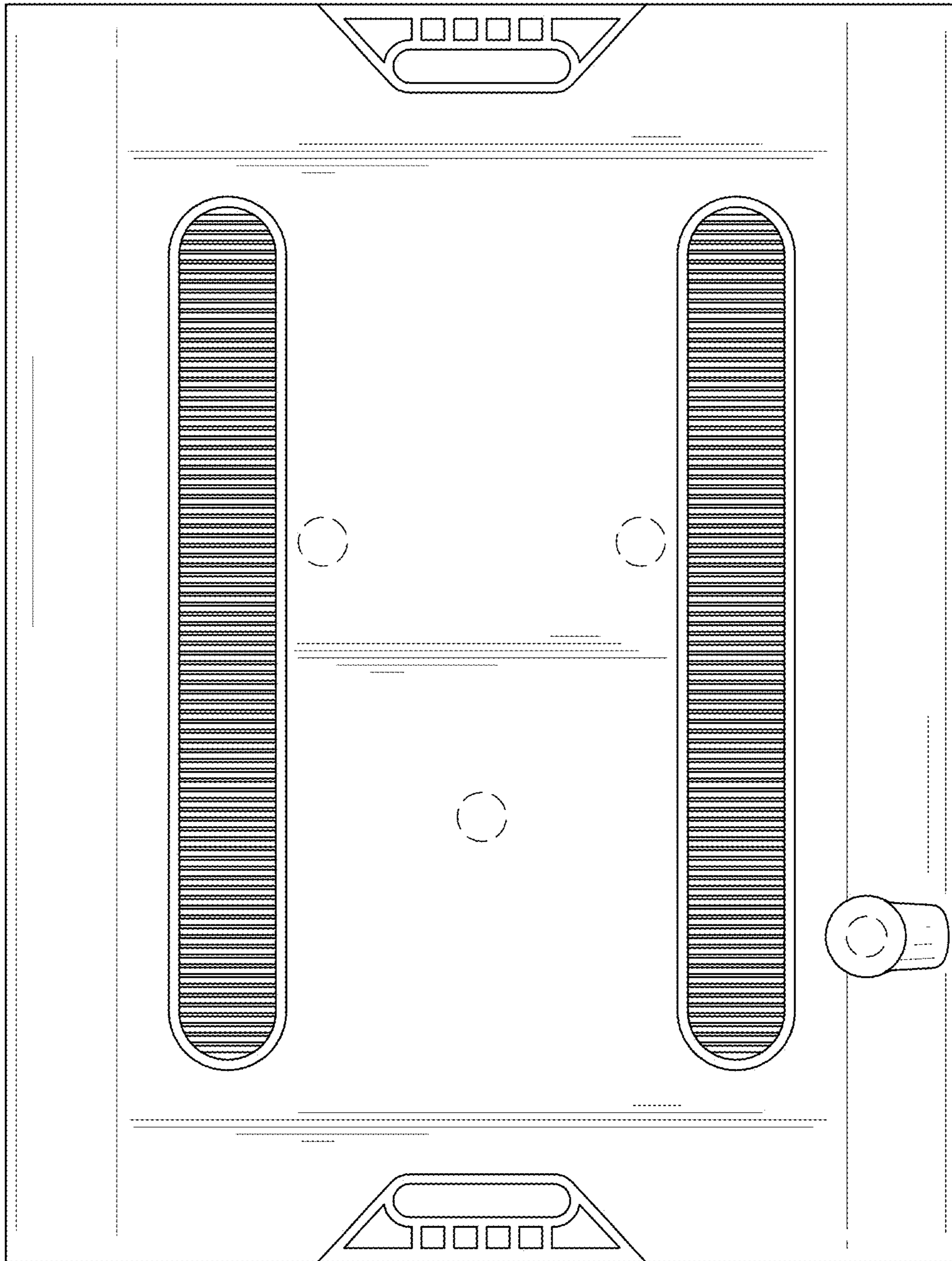


FIG. 4

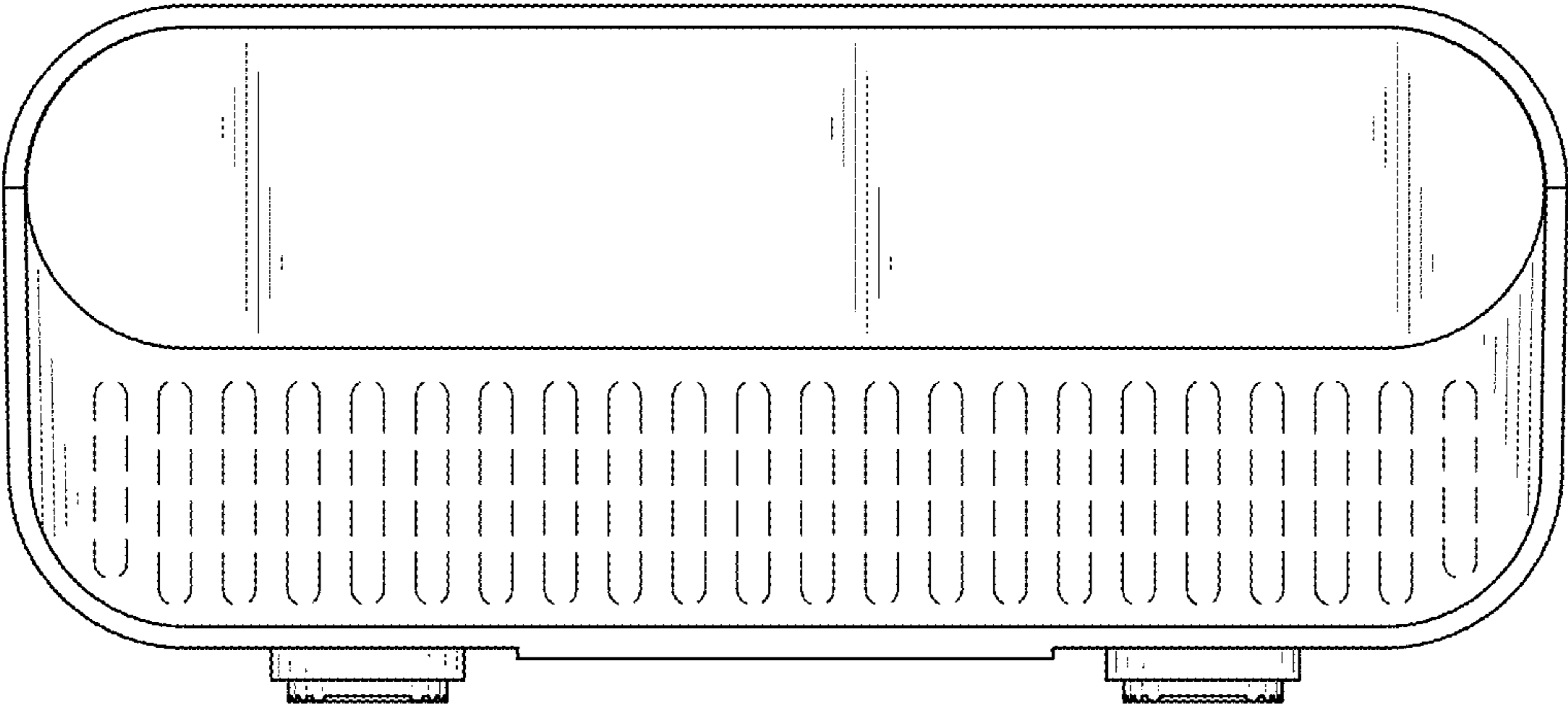


FIG. 5

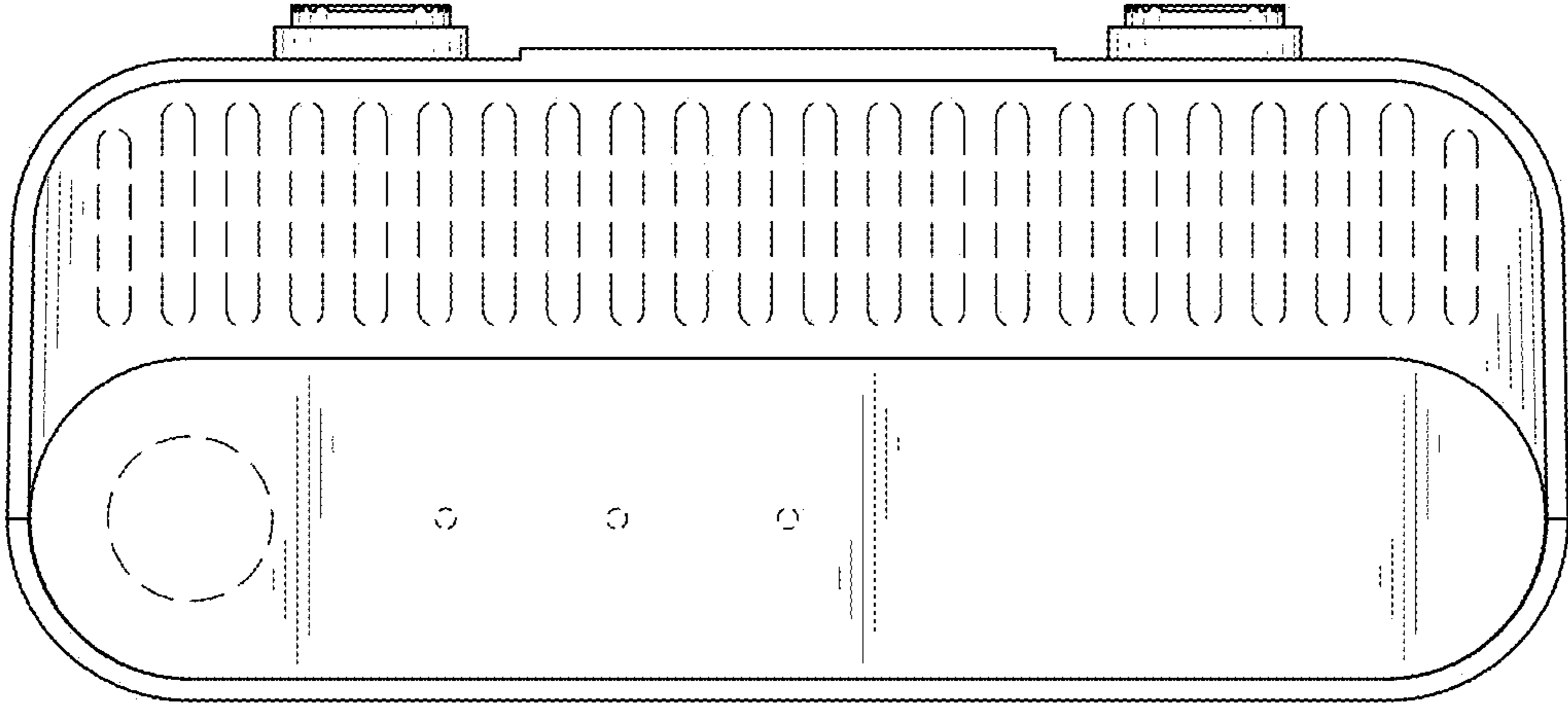


FIG. 6

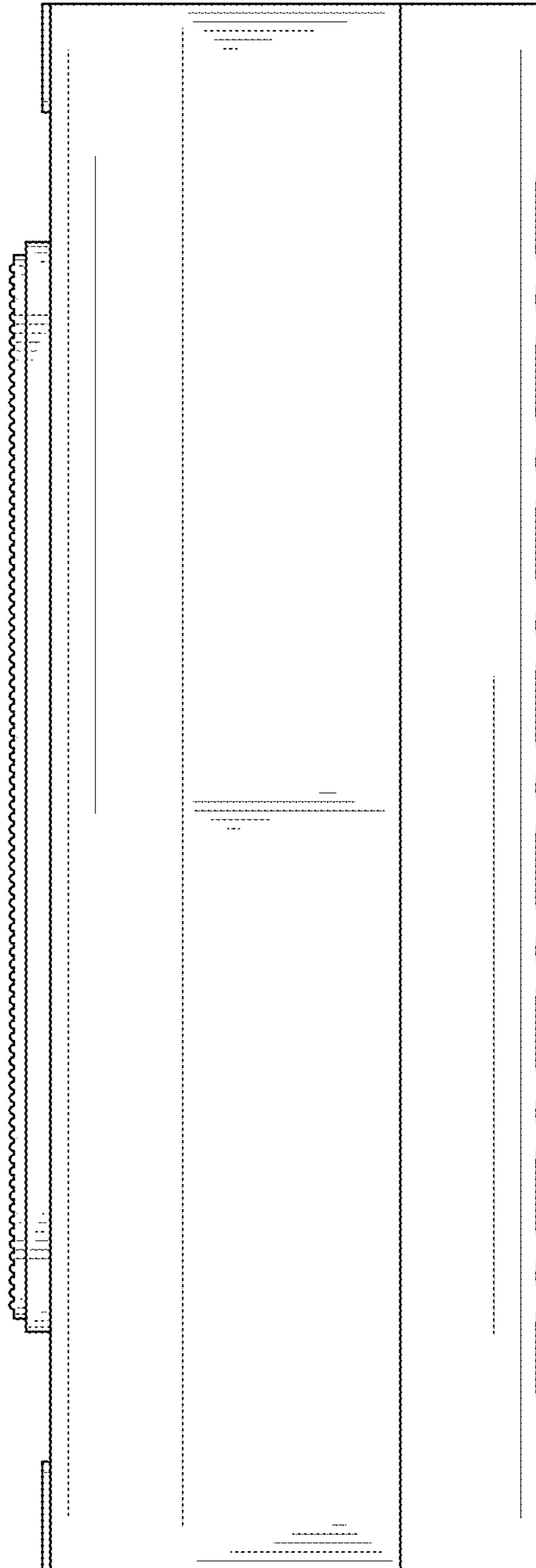


FIG. 7



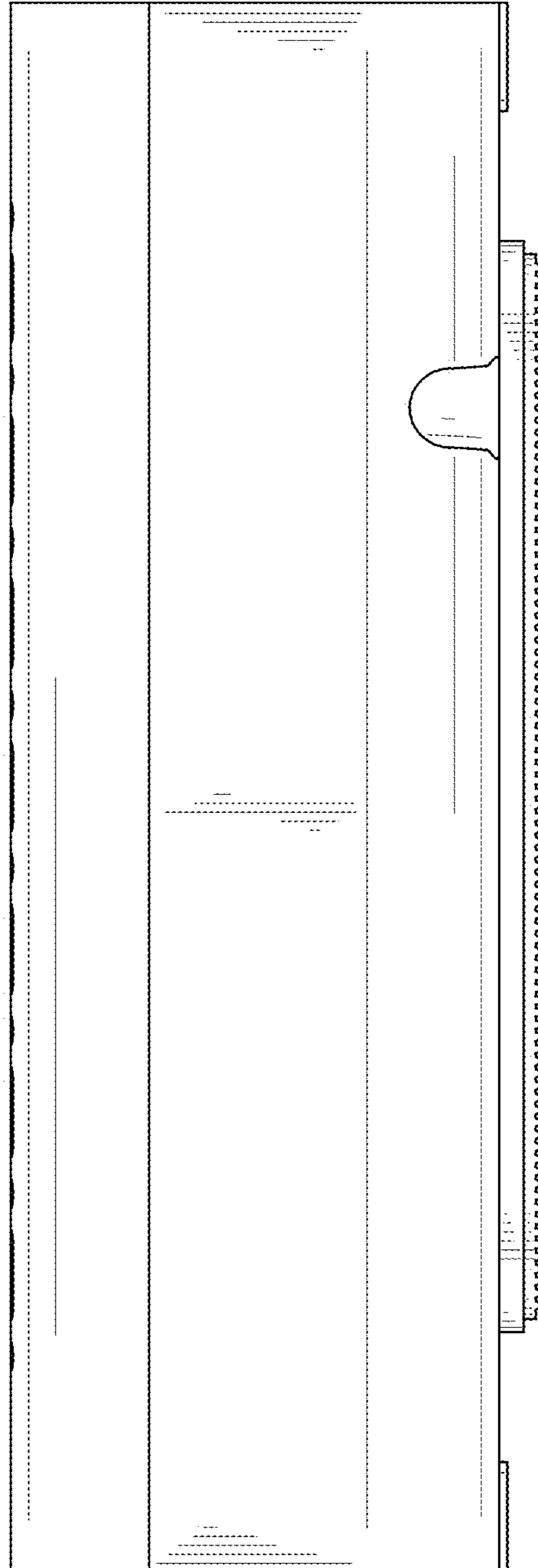


FIG. 8

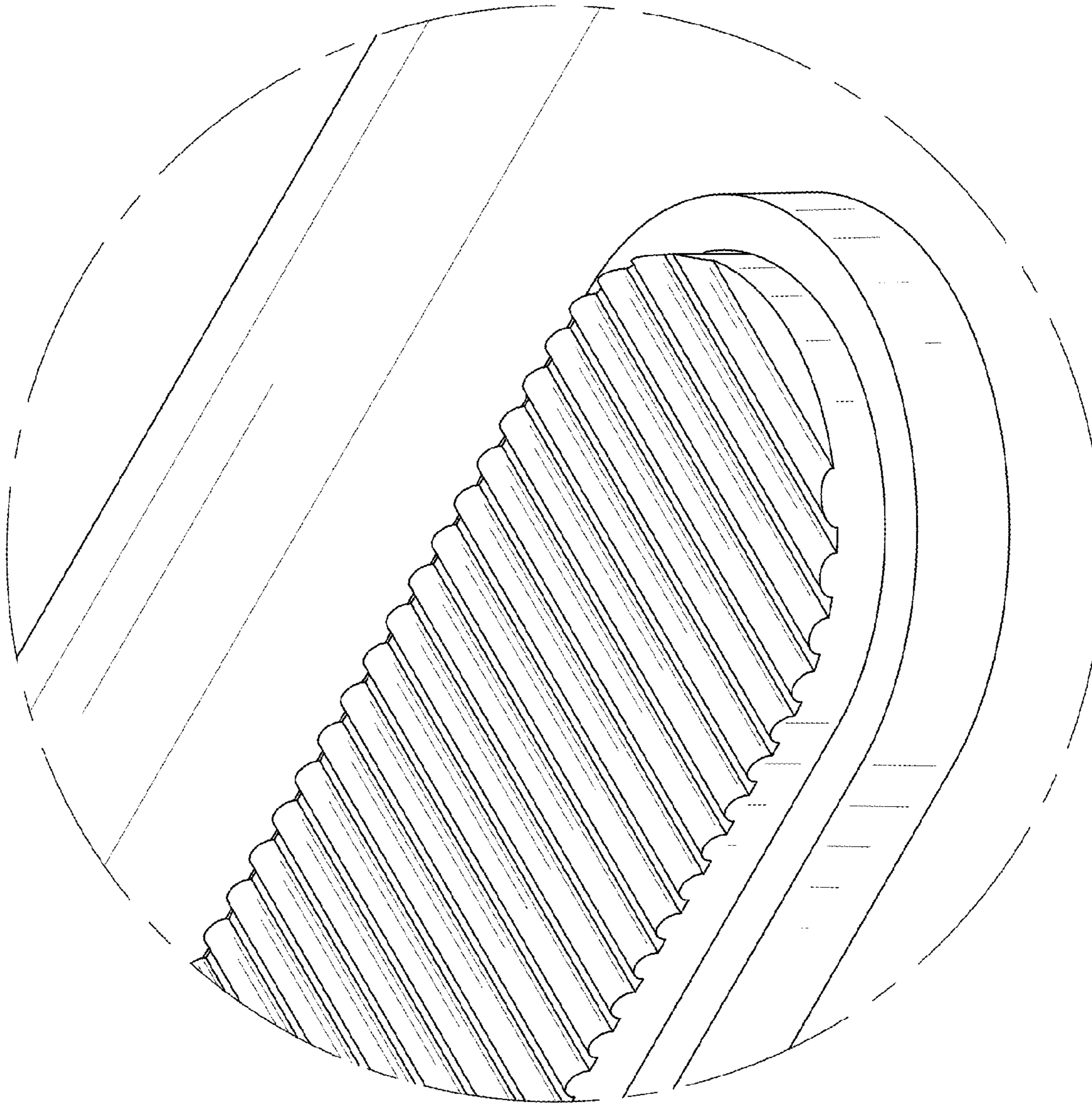


FIG. 9