



US00D885542S

(12) **United States Design Patent**  
**Alili**

(10) **Patent No.:** **US D885,542 S**

(45) **Date of Patent:** **\*\* May 26, 2020**

(54) **MULTI-FUNCTIONAL AIR QUALITY CONTROL SYSTEM**

(71) Applicant: **Surjan Alili**, Kew Gardens, NY (US)

(72) Inventor: **Surjan Alili**, Kew Gardens, NY (US)

(\*\*) Term: **15 Years**

(21) Appl. No.: **29/683,927**

(22) Filed: **Mar. 18, 2019**

(51) **LOC (12) Cl.** ..... **23-04**

(52) **U.S. Cl.**  
USPC ..... **D23/351**

(58) **Field of Classification Search**

USPC ..... D23/333, 351-354, 388  
CPC .... F24F 1/00; F24F 1/0007; F24F 1/02; F24F 1/08; F24F 1/42; F24F 1/56; F24F 1/60; F24F 3/044; F24F 3/048; F24F 3/16; G05D 23/1905; G05D 23/1932; G05D 23/1902; G05D 23/1931; G05B 19/0426; G05B 19/409; G05B 15/02

See application file for complete search history.

(56) **References Cited**

**U.S. PATENT DOCUMENTS**

D298,647 S \* 11/1988 Matsuda ..... D23/353  
D307,049 S \* 4/1990 Moritani ..... D23/353  
D307,631 S \* 5/1990 Shin ..... D23/353  
D379,499 S \* 5/1997 Yamada ..... D23/351  
D395,148 S \* 6/1998 Choi ..... D23/351  
D414,853 S \* 10/1999 Hyon ..... D23/351

D422,349 S \* 4/2000 Aketa ..... D23/353  
D424,673 S \* 5/2000 Aketa ..... D23/353  
D449,096 S \* 10/2001 Takagi ..... D23/353  
D449,876 S \* 10/2001 Takagi ..... D23/353  
D616,084 S \* 5/2010 Lingrey ..... D23/353

\* cited by examiner

*Primary Examiner* — Natasha Vujcic

(74) *Attorney, Agent, or Firm* — McLean Law LLC;  
Kimberly McLean Esq.

(57) **CLAIM**

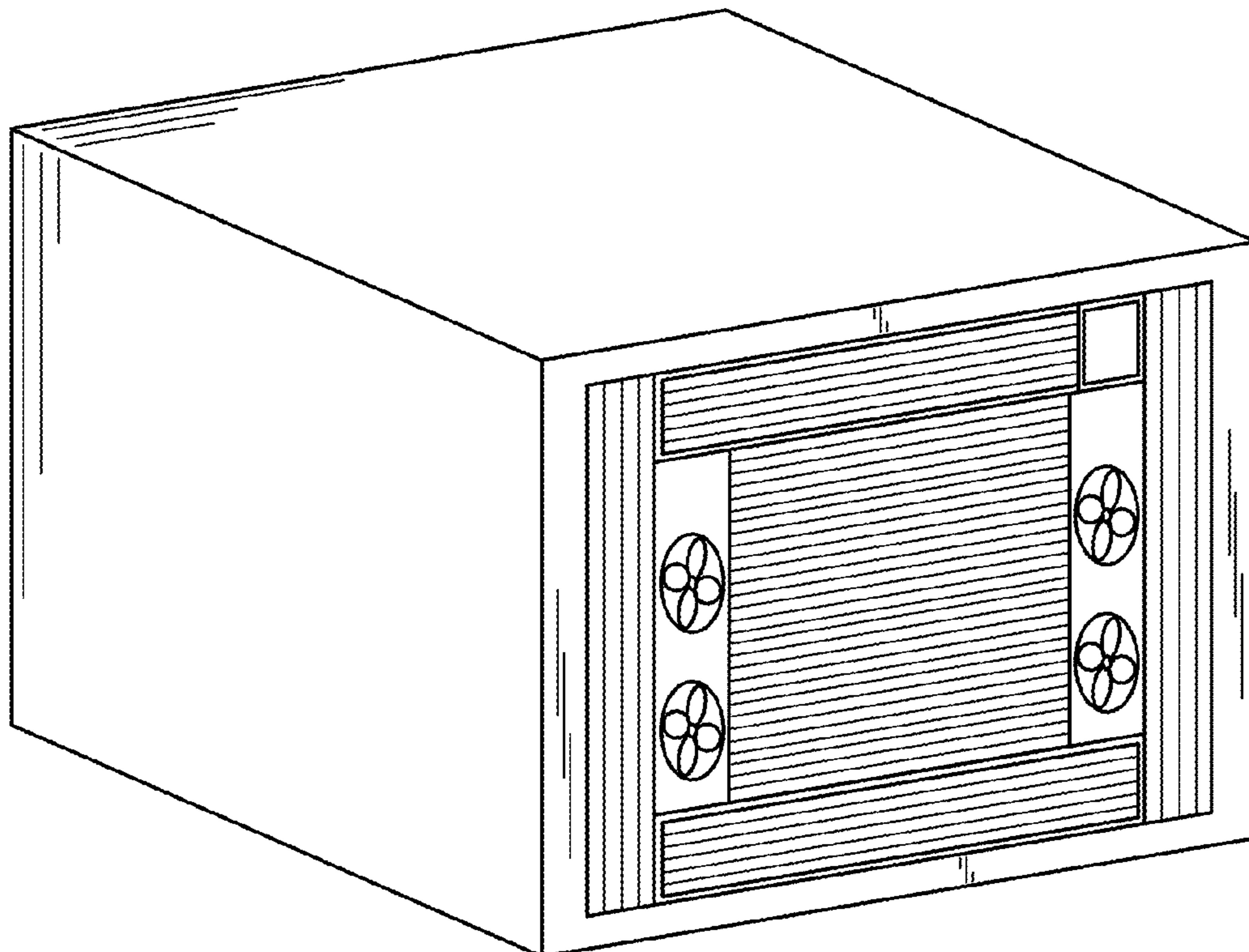
The ornamental design for a multi-functional air quality control system, as shown and described.

**DESCRIPTION**

FIG. 1 is a front perspective view of a multi-functional air quality control system in accordance with the present invention;  
FIG. 2 is a front elevational view thereof;  
FIG. 3 is a back elevational view thereof;  
FIG. 4 is a top plan view thereof, the bottom plan view being a mirror image;  
FIG. 5 is a left side elevational view thereof; the right side elevational view being a mirror thereof; and,  
FIG. 6 is a front perspective view of the multi-functional air quality control system shown mounted in a window to illustrate an operating environment thereof in accordance with the present invention.

The broken lines in the drawings illustrate portions of the window air conditioner which form no part of the claimed design.

**1 Claim, 6 Drawing Sheets**



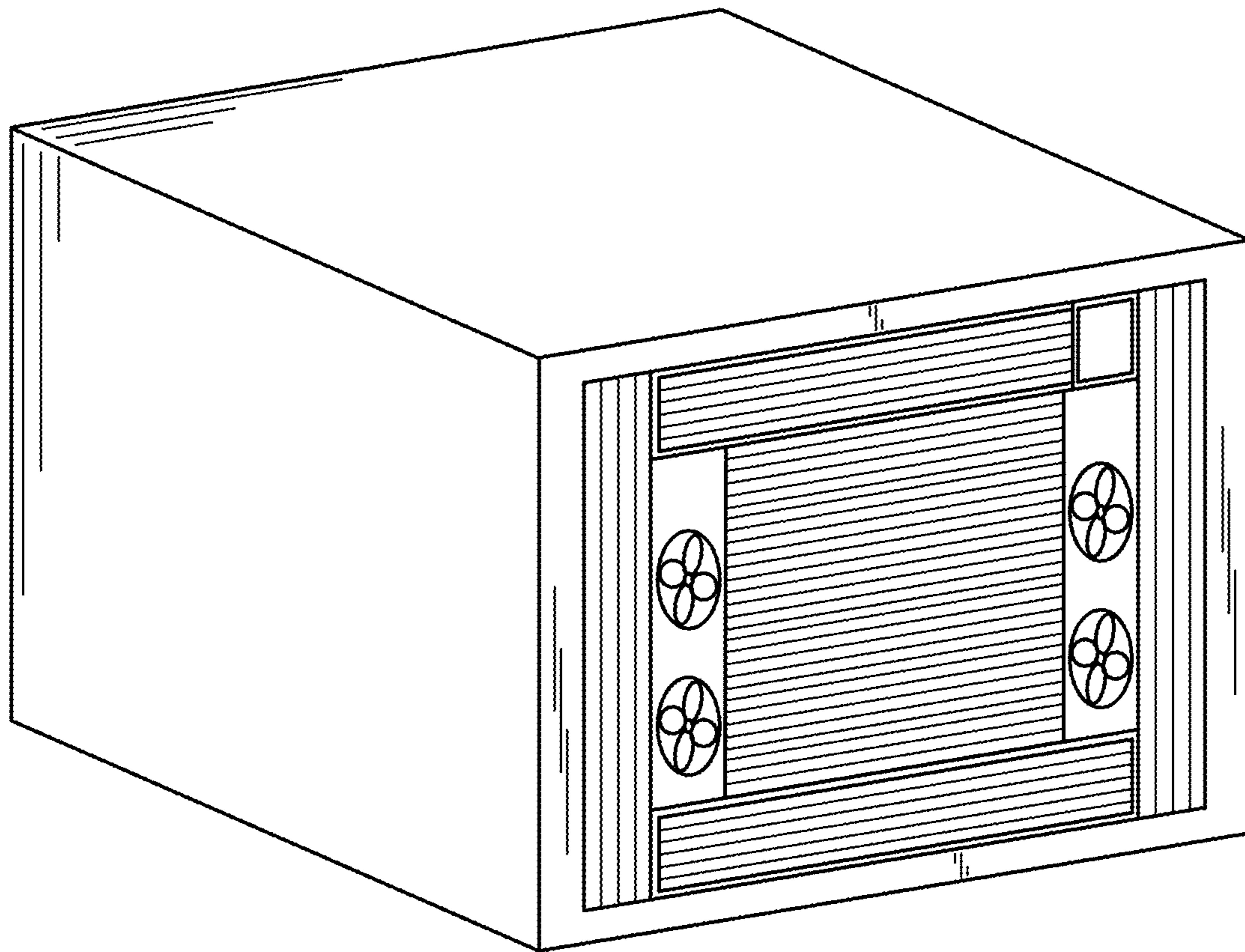


FIG. 1

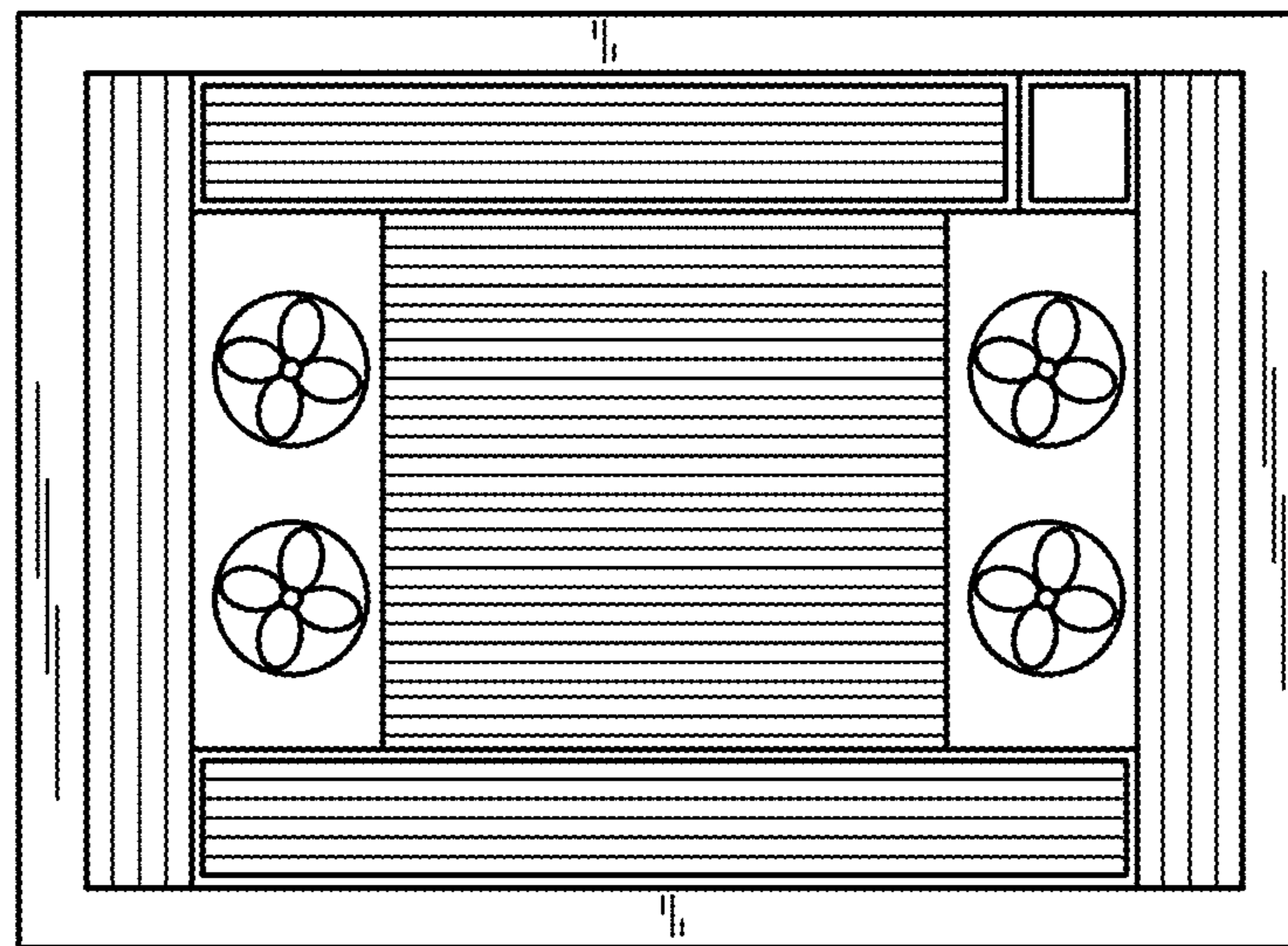


FIG. 2

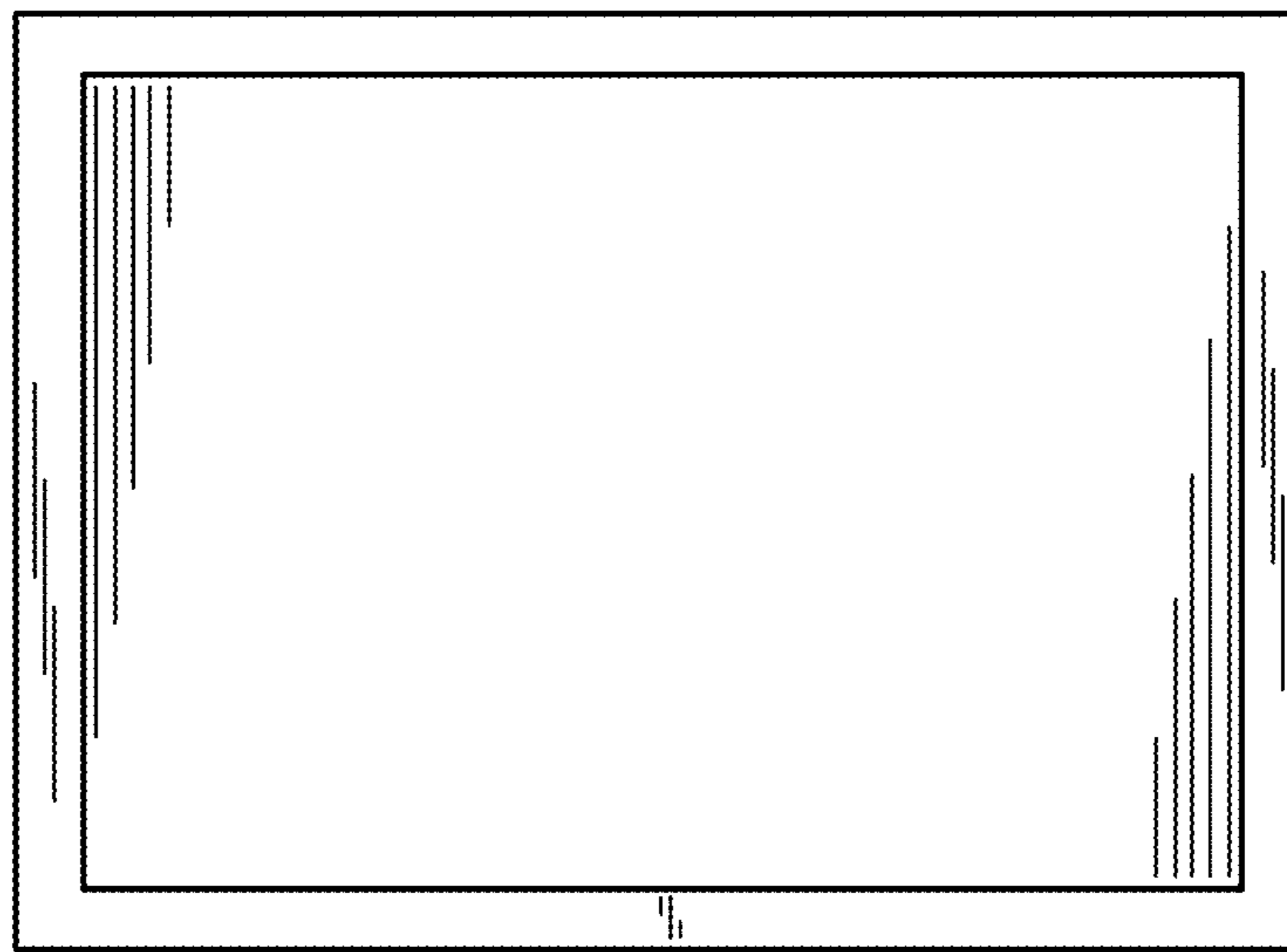


FIG. 3

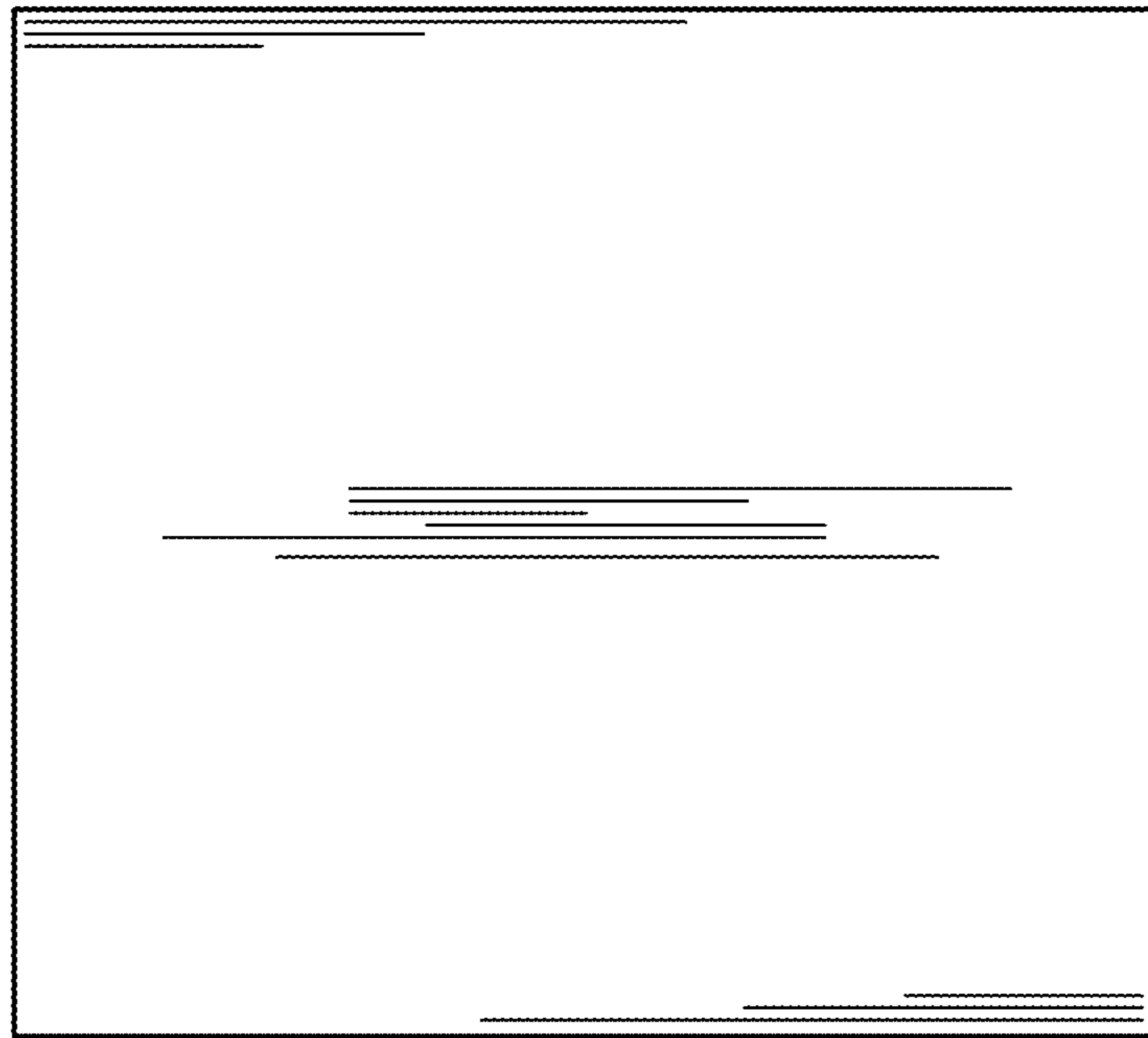


FIG. 4

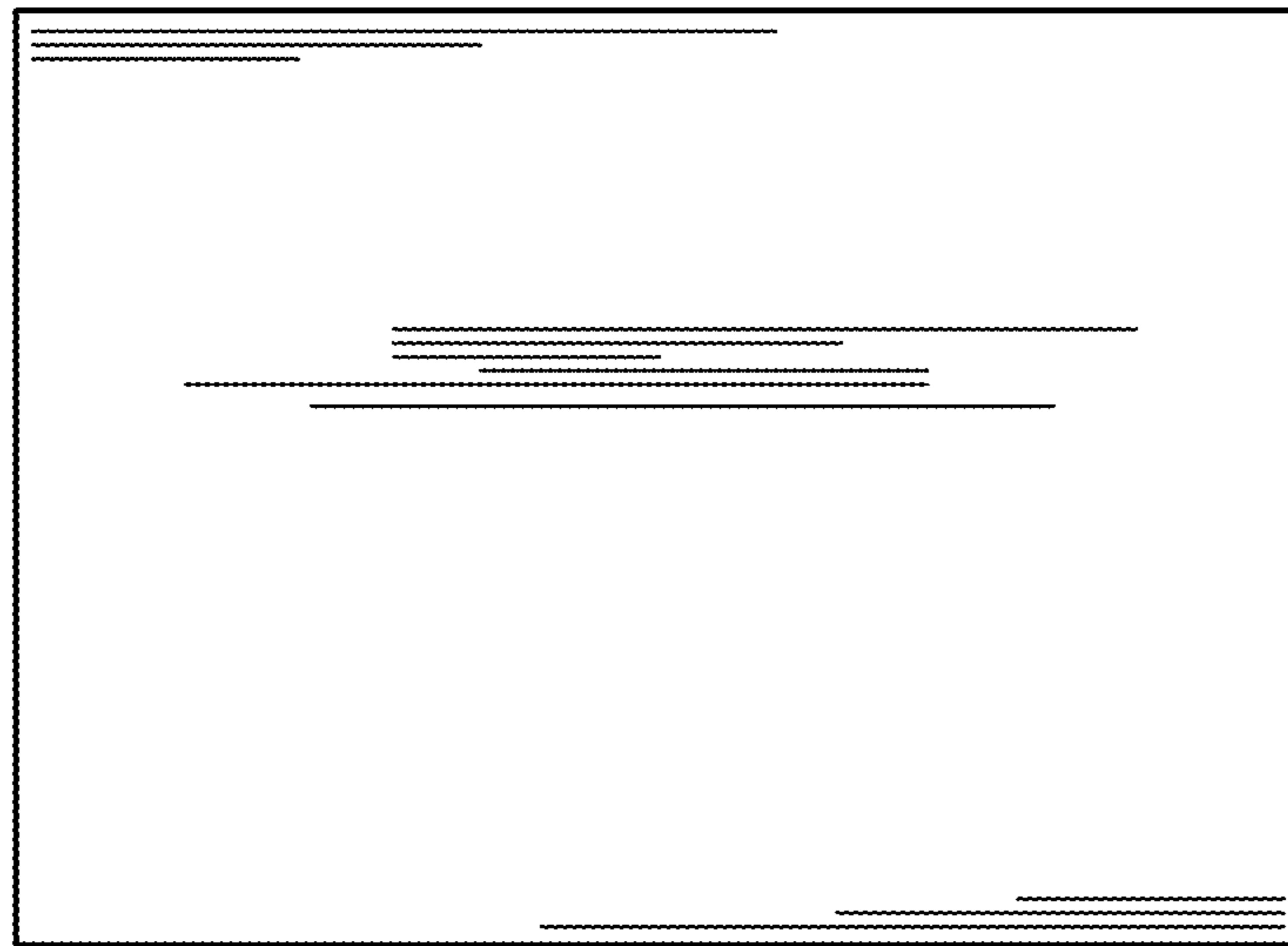


FIG. 5

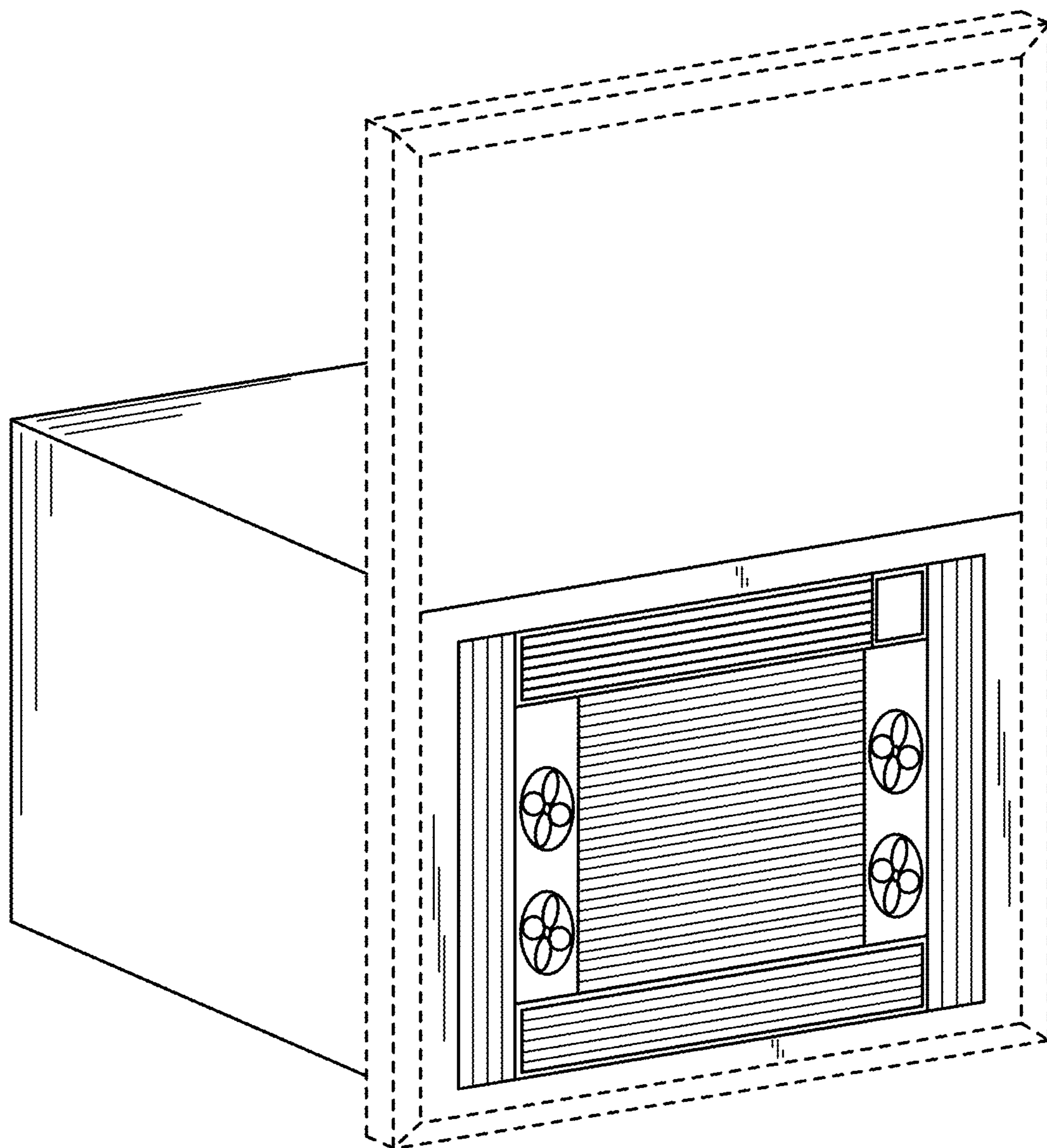


FIG. 6