



US00D885539S

(12) **United States Design Patent**
Yan

(10) **Patent No.:** **US D885,539 S**

(45) **Date of Patent:** **** May 26, 2020**

(54) **BIDET**

(71) Applicant: **Xiamen Galenpoo Kitchen & Bathroom Technology Co., Ltd.**,
Fujian Province (CN)

(72) Inventor: **Xiaoling Yan**, Fujian Province (CN)

(**) Term: **15 Years**

(21) Appl. No.: **29/728,870**

(22) Filed: **Mar. 23, 2020**

(51) **LOC (12) Cl.** **23-02**

(52) **U.S. Cl.**
USPC **D23/309**

(58) **Field of Classification Search**
USPC D23/303, 309, 311
CPC E03D 9/08
See application file for complete search history.

(56) **References Cited**

U.S. PATENT DOCUMENTS

5,647,069	A *	7/1997	Han	E03D 9/08 4/420.2
5,647,070	A *	7/1997	Yu	E03D 9/08 4/420.4
7,904,973	B2 *	3/2011	Lian	E03D 9/08 4/420.4
8,261,377	B2 *	9/2012	Oh	E03D 9/08 4/420.5
8,296,872	B2 *	10/2012	Yao	E03D 9/08 4/420.2
D714,428	S *	9/2014	Gupta	D23/309

9,637,903	B2 *	5/2017	Gupta	A47K 13/26
9,745,732	B2 *	8/2017	Suggs	A47K 13/26
9,828,756	B2 *	11/2017	Defu	E03D 9/08
D873,982	S *	1/2020	Gupta	D23/309
D874,621	S *	2/2020	Gupta	D23/309
D875,907	S	2/2020	Jiang		
2010/0306909	A1 *	12/2010	Chen	A47K 13/26 4/236
2016/0037982	A1 *	2/2016	Zhou	A47K 13/26 4/240

* cited by examiner

Primary Examiner — Robert A Delehanty

(74) *Attorney, Agent, or Firm* — ZANIP

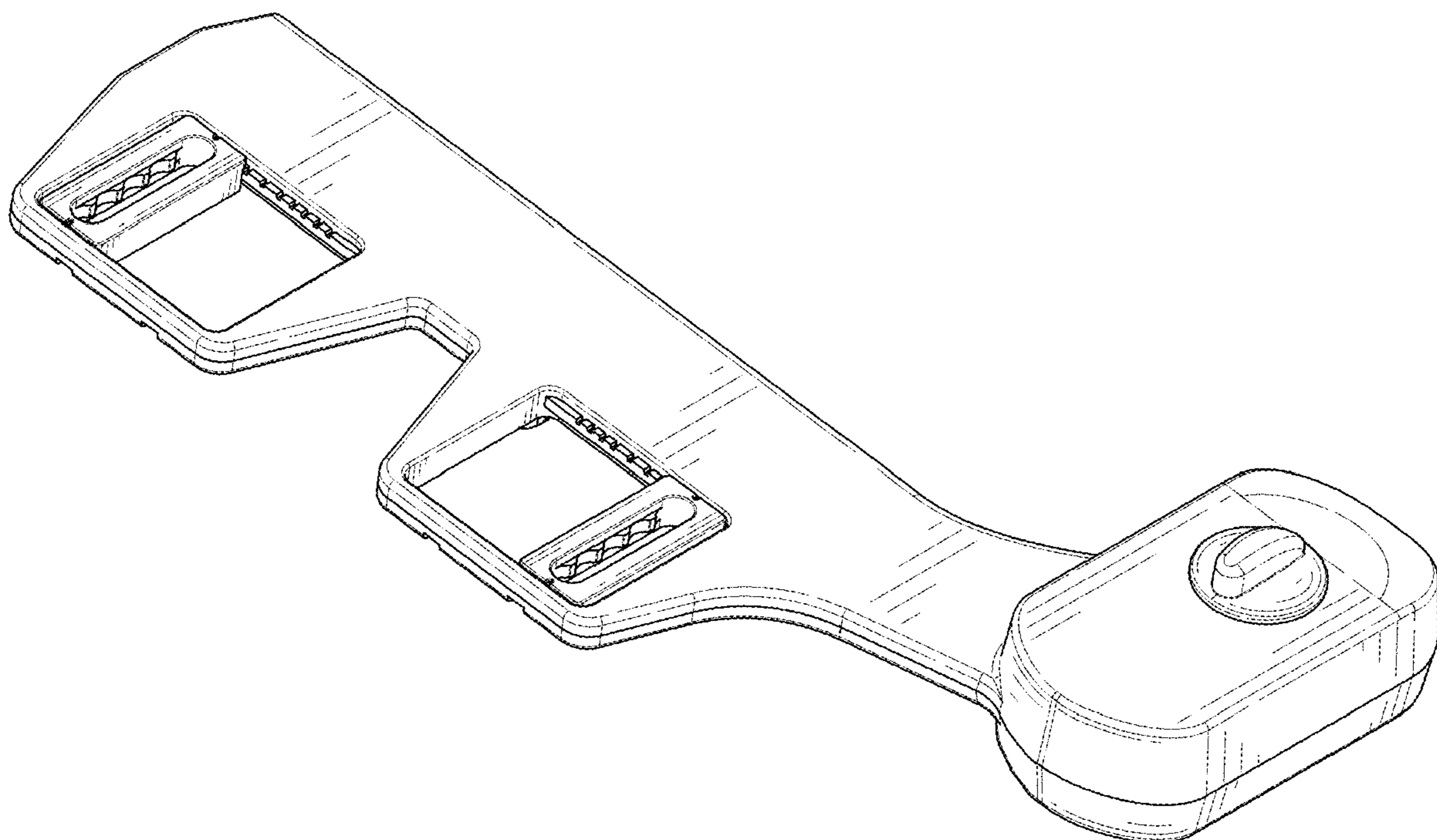
(57) **CLAIM**

The ornamental design for a bidet, as shown and described.

DESCRIPTION

FIG. 1 is a front perspective view of a bidet, showing my new design;
 FIG. 2 is a rear perspective view thereof;
 FIG. 3 is a front elevational view thereof;
 FIG. 4 is a rear elevational view thereof;
 FIG. 5 is a left side elevational view thereof;
 FIG. 6 is a right side elevational view thereof;
 FIG. 7 is a top plan view thereof;
 FIG. 8 is a bottom plan view thereof; and,
 FIG. 9 is an enlarged, view of a portion indicated in FIG. 2.
 The broken lines in the figures illustrate portions of the bidet that form no part of the claimed design. The dash dot dash lines in FIGS. 2 and 9 are for the purpose of depicting the cut line of the enlarged view and form no part of the claim.

1 Claim, 9 Drawing Sheets



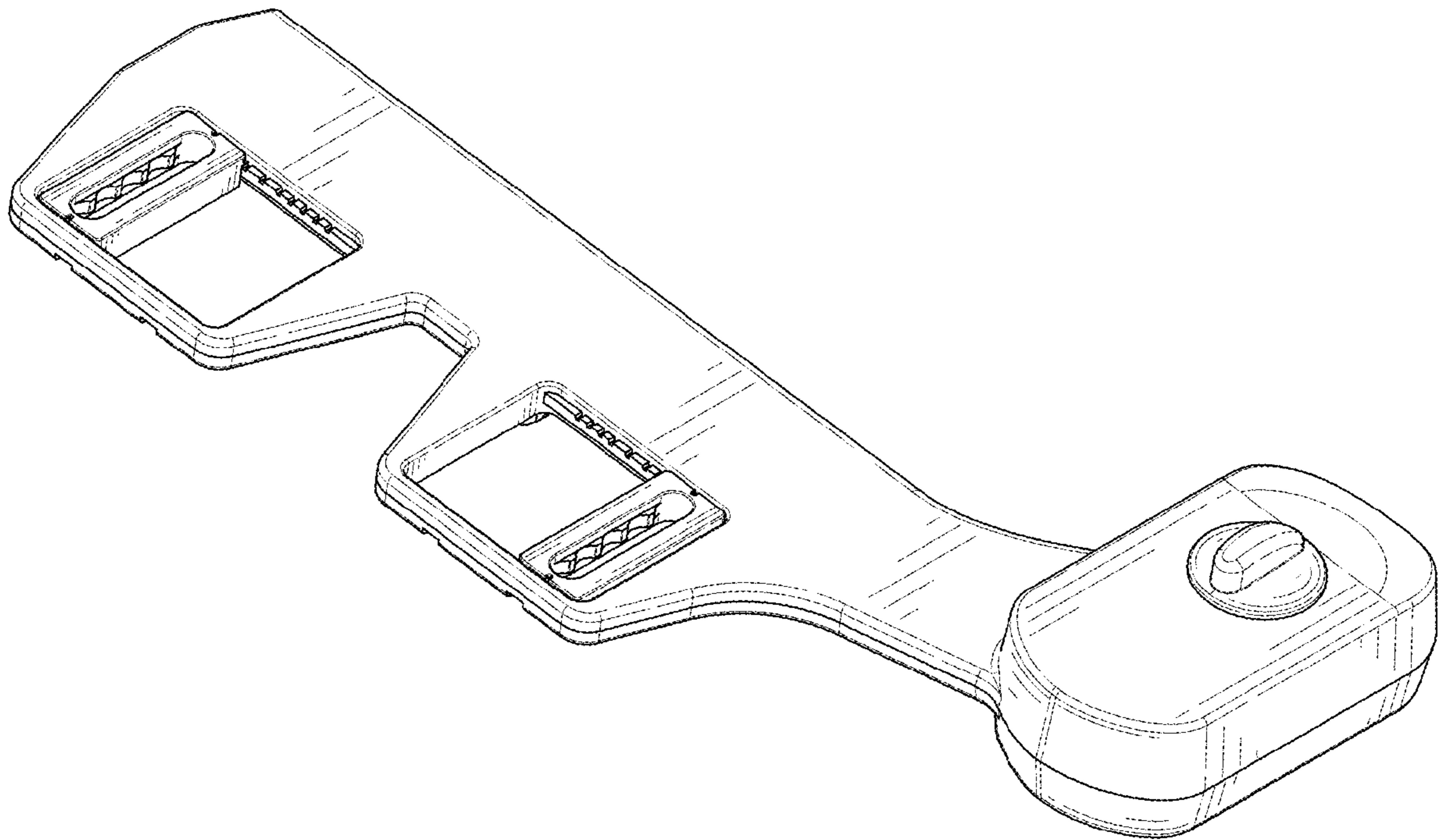


FIG. 1

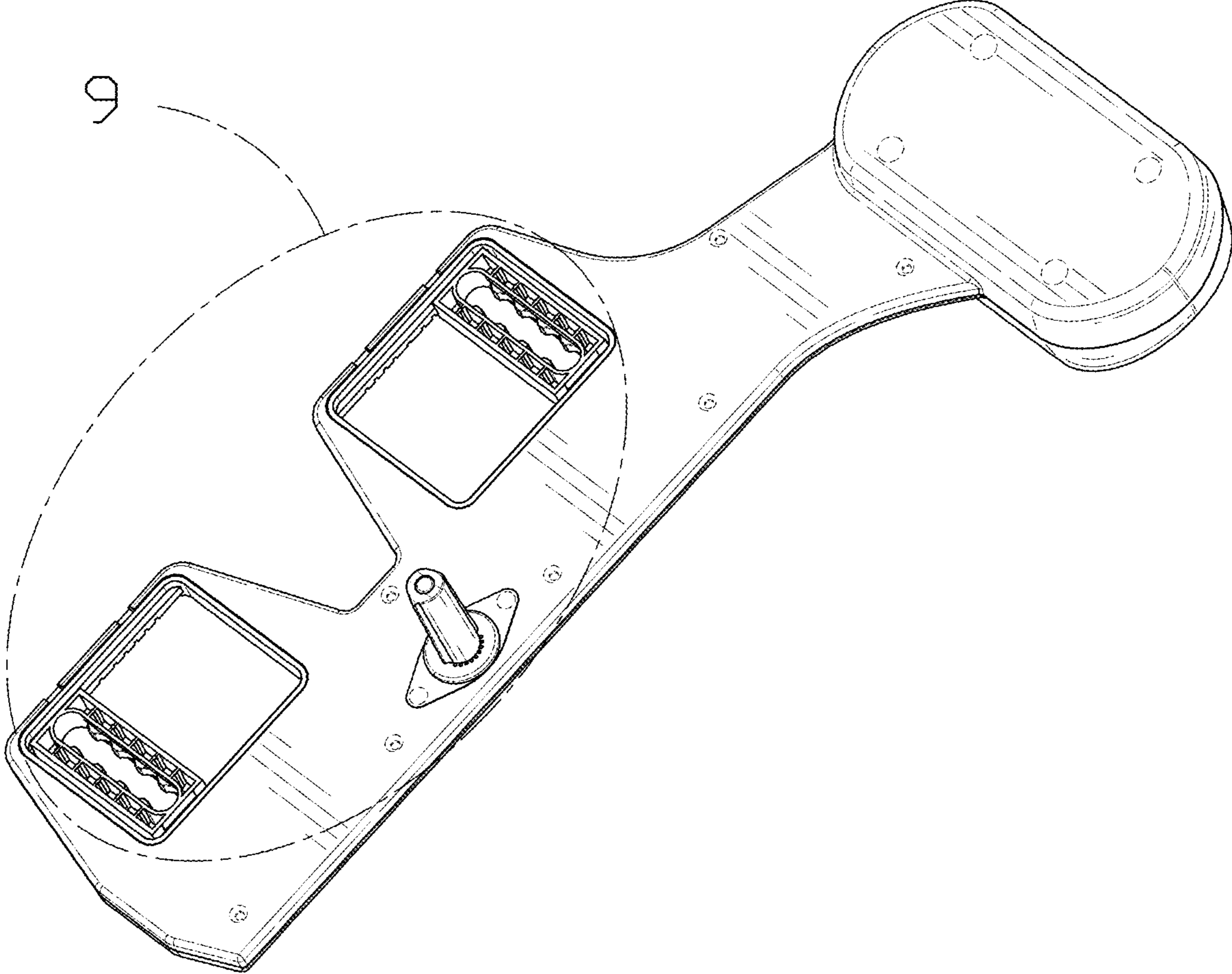


FIG. 2

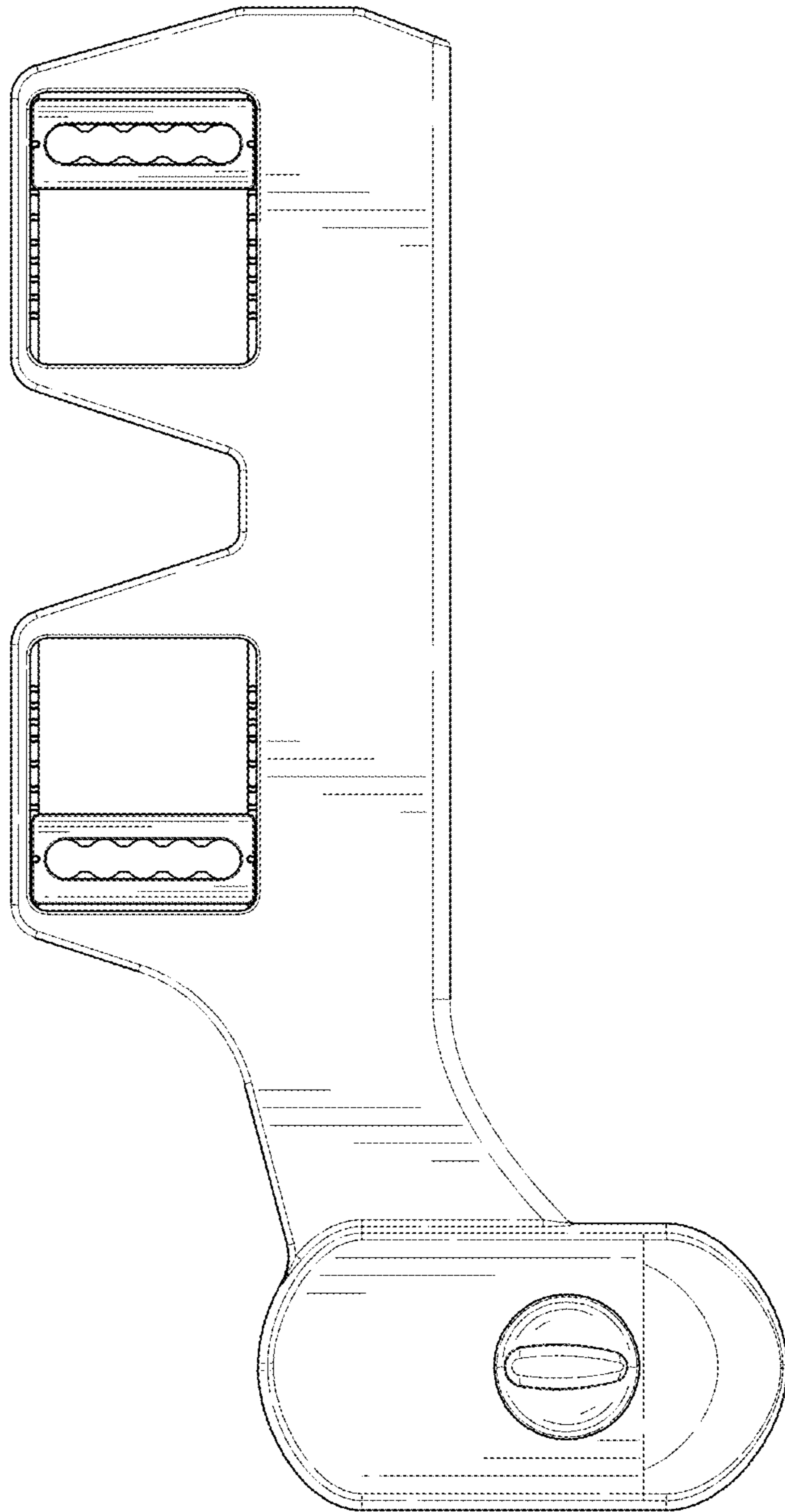


FIG. 3

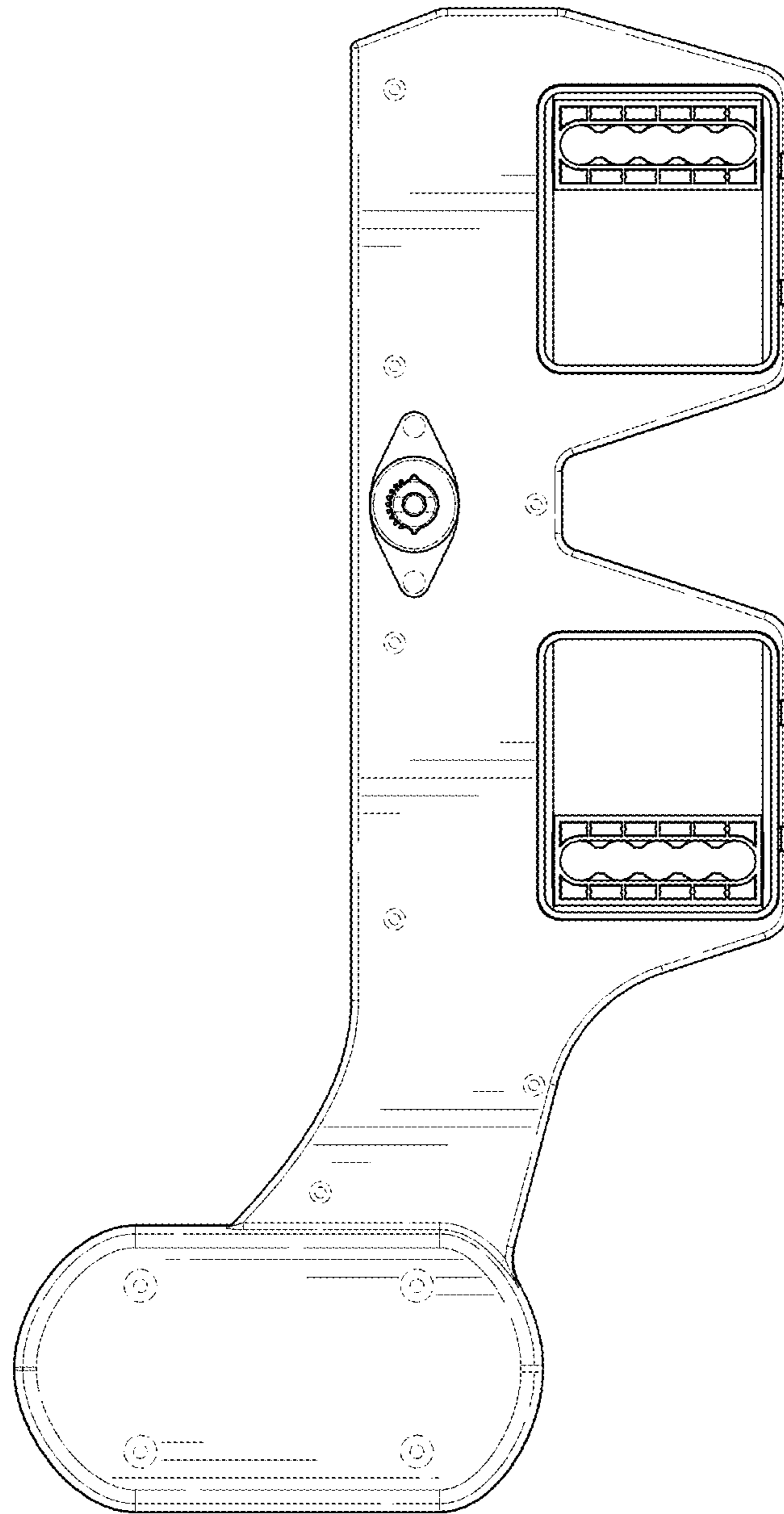


FIG. 4

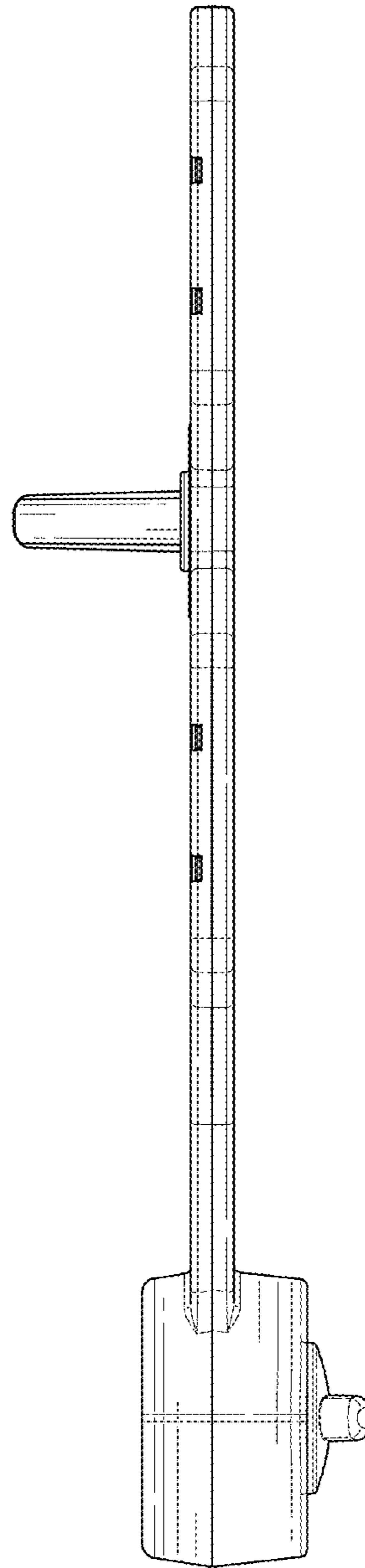


FIG. 5

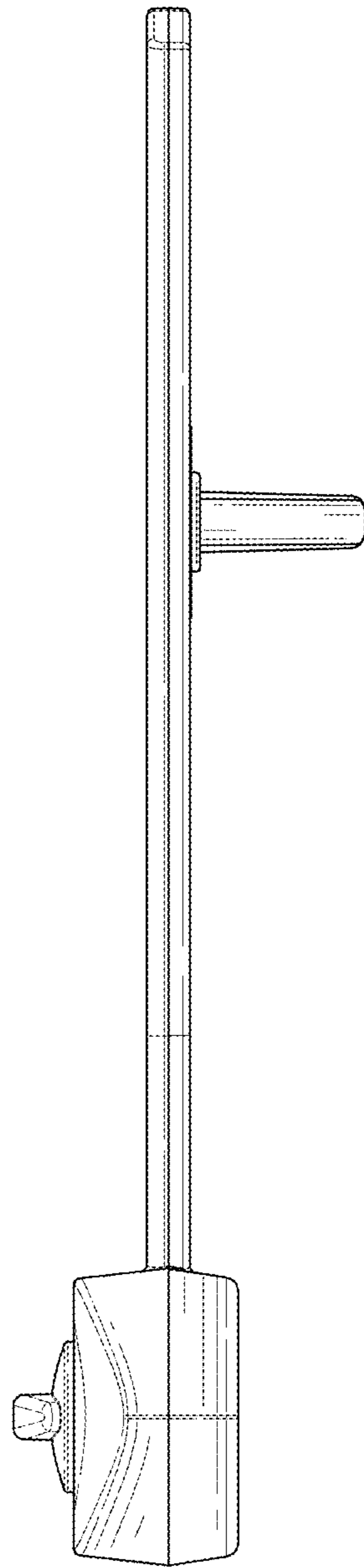


FIG. 6

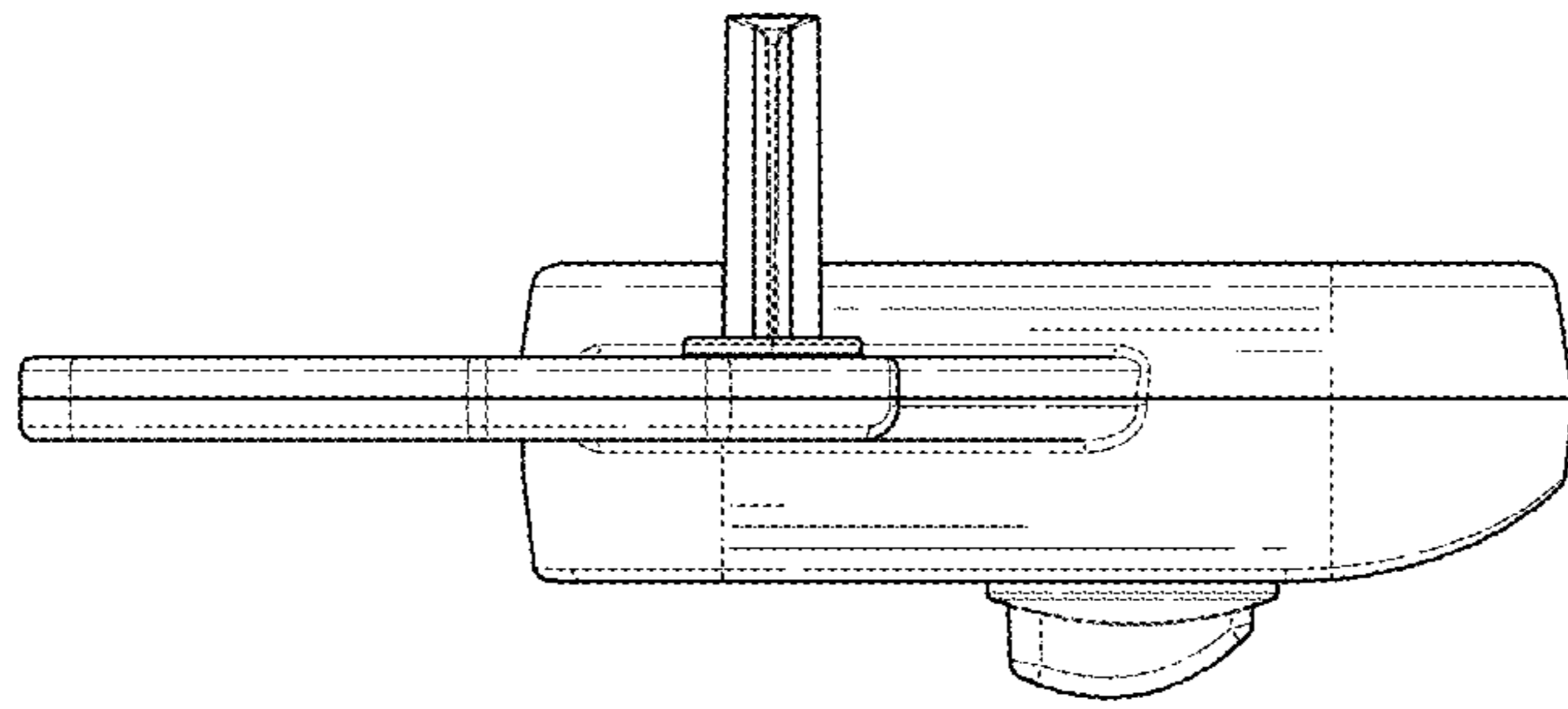


FIG. 7

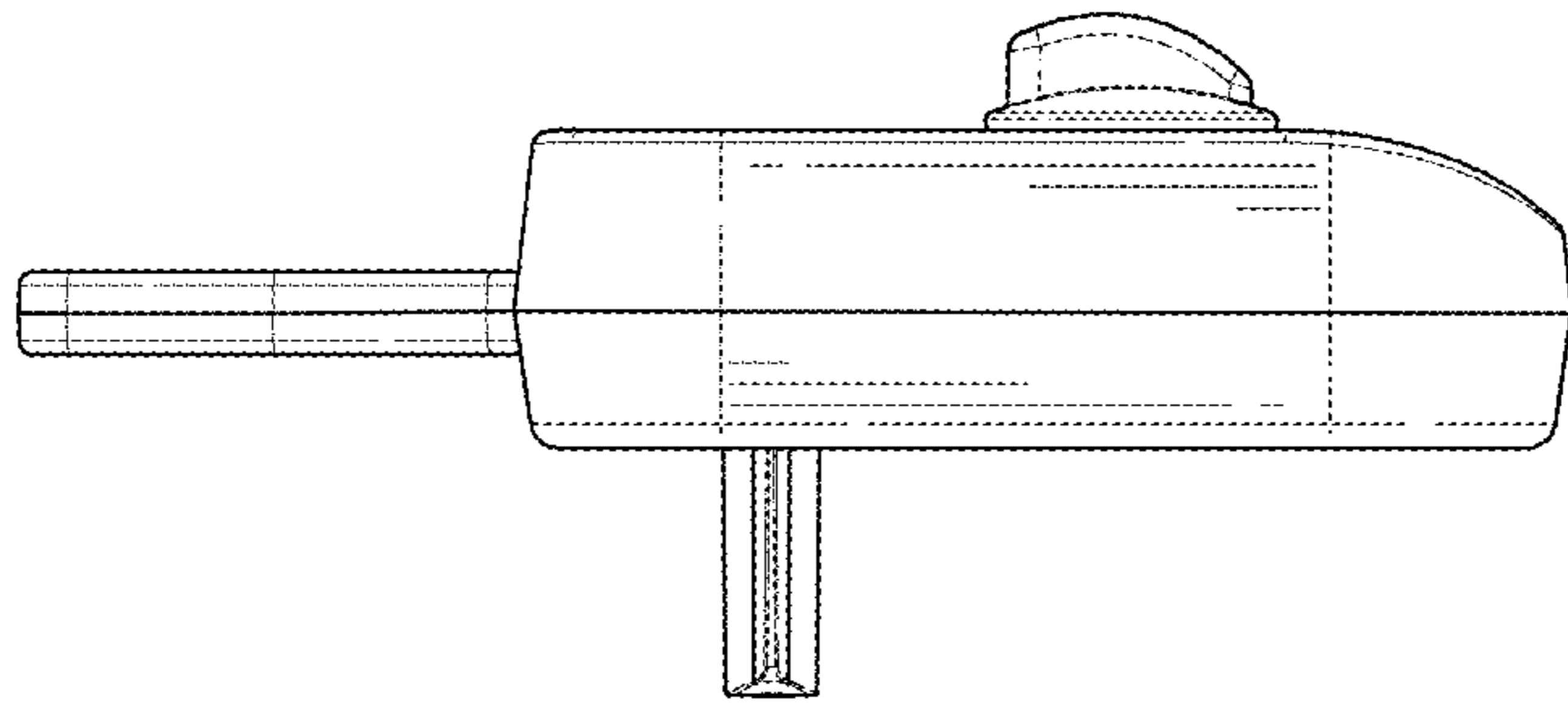


FIG. 8

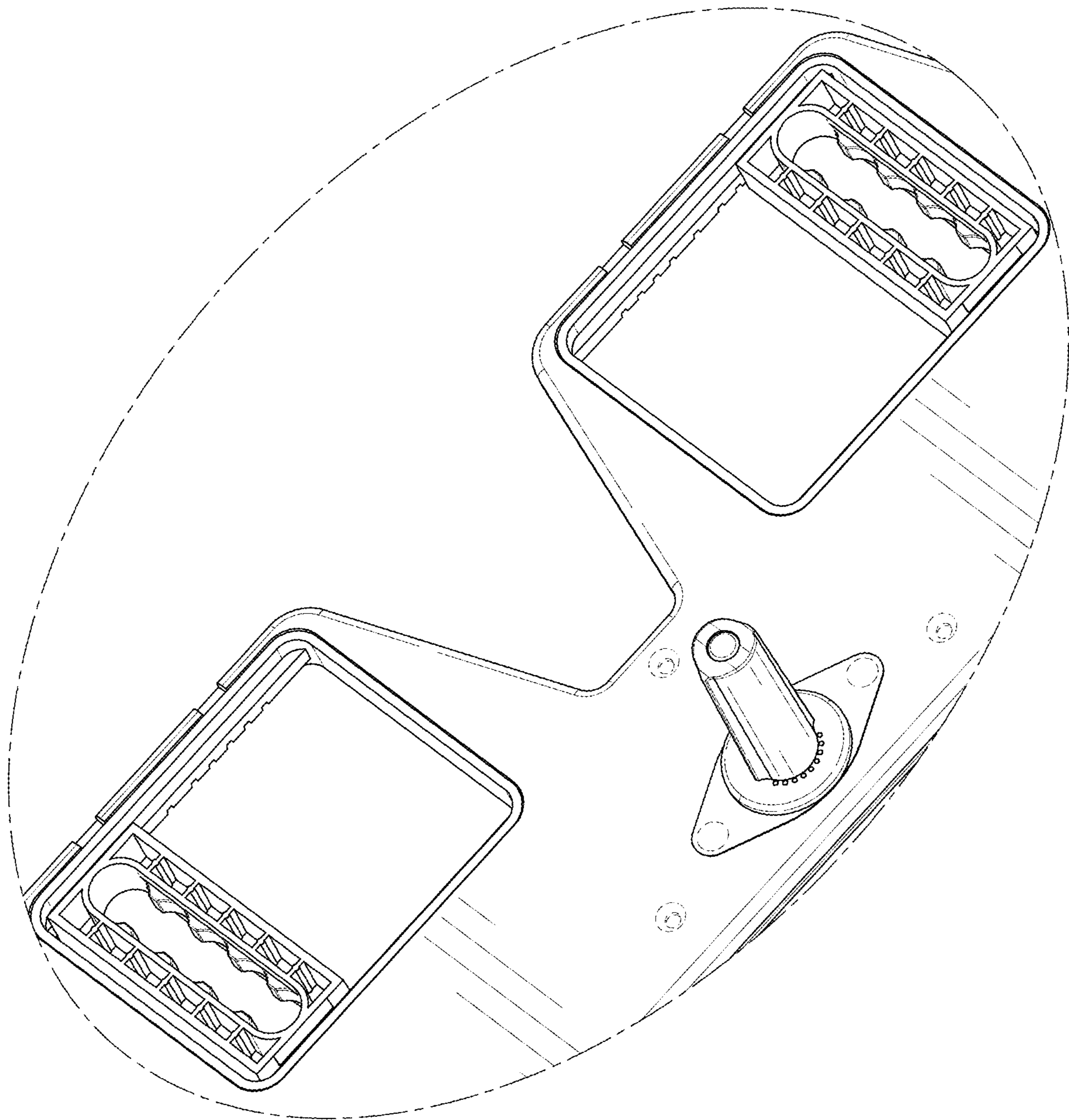


FIG. 9