



US00D885538S

(12) **United States Design Patent** (10) **Patent No.:** **US D885,538 S**
Huang (45) **Date of Patent:** **** May 26, 2020**

(54) **TOILET BOWL AND COVER ASSEMBLY**
 (71) Applicant: **Jianqiang Huang**, San Jose, CA (US)
 (72) Inventor: **Jianqiang Huang**, San Jose, CA (US)
 (**) Term: **15 Years**

D294,731 S * 3/1988 Reid D23/311
 D296,710 S * 7/1988 Reid D23/311
 D357,308 S * 4/1995 Kaiser D23/311
 D592,293 S * 5/2009 Maruhashi D23/295
 D639,400 S * 6/2011 Kang D23/295
 2019/0119894 A1* 4/2019 Huang E03D 11/13

* cited by examiner

(21) Appl. No.: **29/701,800**
 (22) Filed: **Aug. 14, 2019**

Primary Examiner — Robert A Delehanty
 (74) *Attorney, Agent, or Firm* — Tsz Lung Yeung

Related U.S. Application Data

(63) Continuation-in-part of application No. 15/790,347, filed on Oct. 23, 2017, now abandoned.
 (51) **LOC (12) Cl.** **23-02**
 (52) **U.S. Cl.**
 USPC **D23/309**
 (58) **Field of Classification Search**
 USPC D23/295, 299, 301, 303, 309, 313, 311
 CPC A47K 11/00; B64D 11/02
 See application file for complete search history.

(57) **CLAIM**

The ornamental design for a toilet bowl and cover assembly, as shown and described.

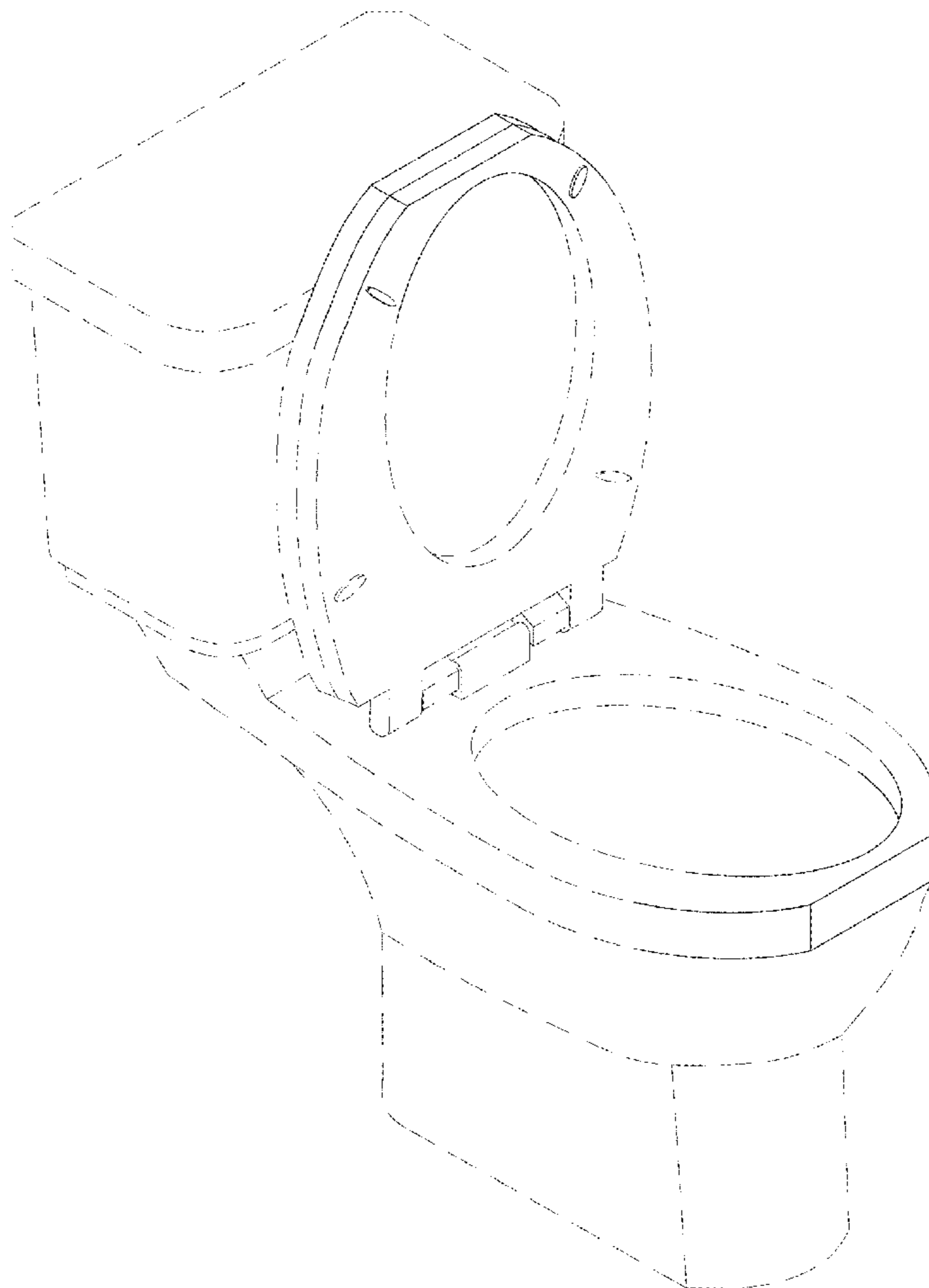
DESCRIPTION

FIG. 1 is a perspective view of a toilet bowl and cover assembly showing my new design;
 FIG. 2 is a front view thereof;
 FIG. 3 is a left side view thereof;
 FIG. 4 is a right side view thereof; and,
 FIG. 5 is a top view thereof.
 The broken lines depict portions of the toilet seat and toilet cover that form no part of the claimed design.

(56) **References Cited**
 U.S. PATENT DOCUMENTS

D98,113 S * 1/1936 Groeniger D23/311
 D288,592 S * 3/1987 Stairs, Jr. D23/311

1 Claim, 5 Drawing Sheets



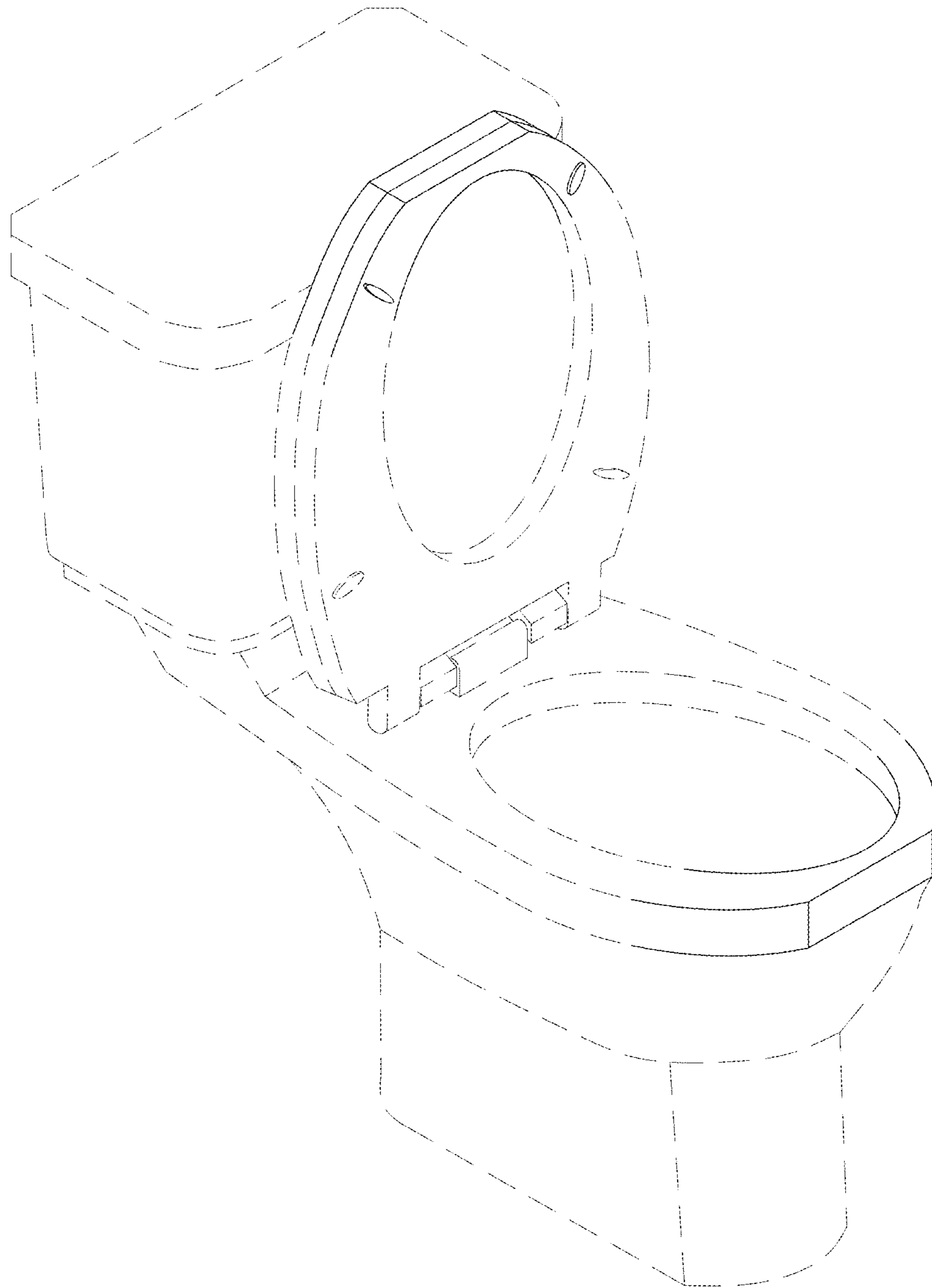


FIG. 1

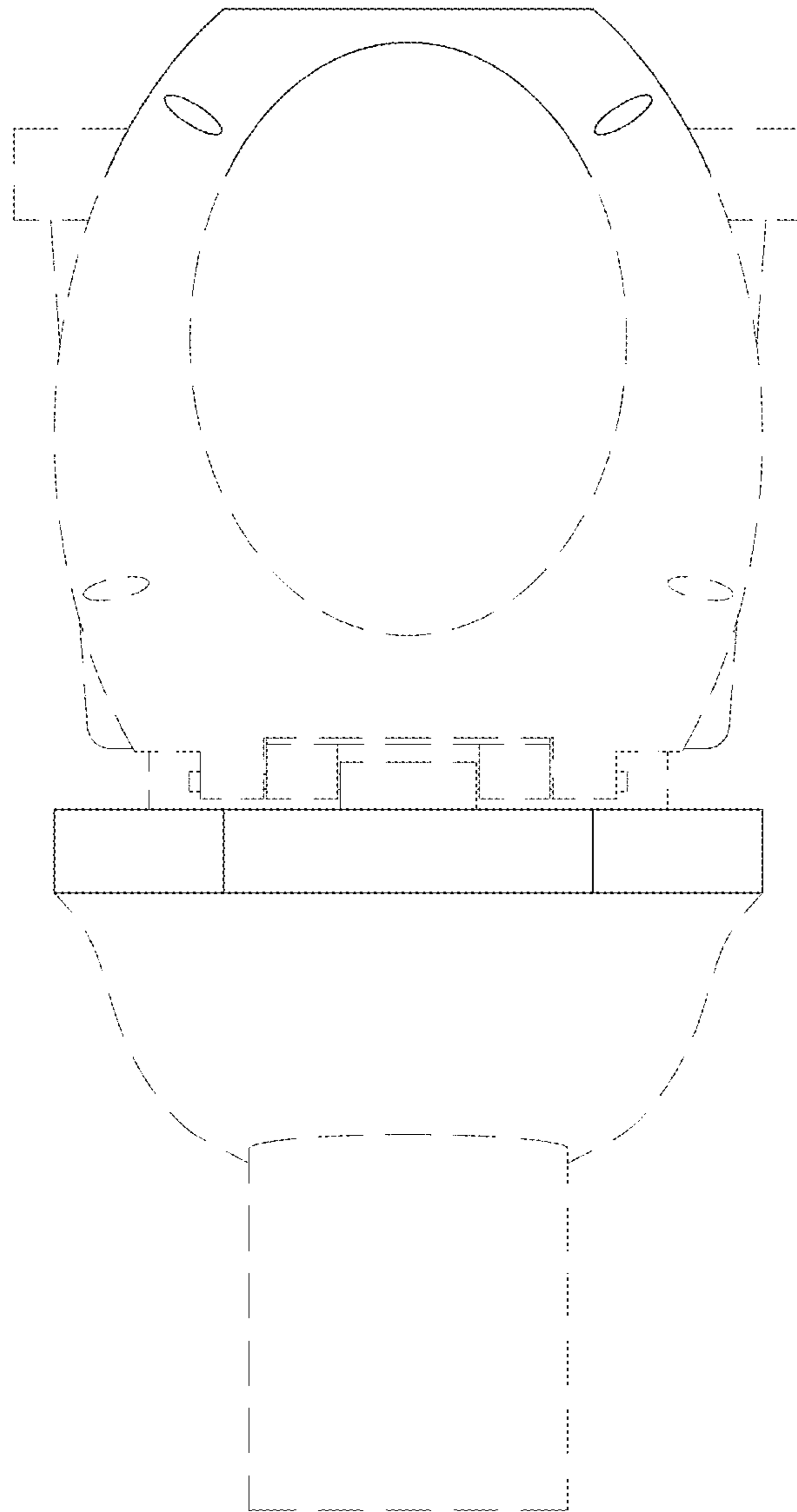


FIG.2

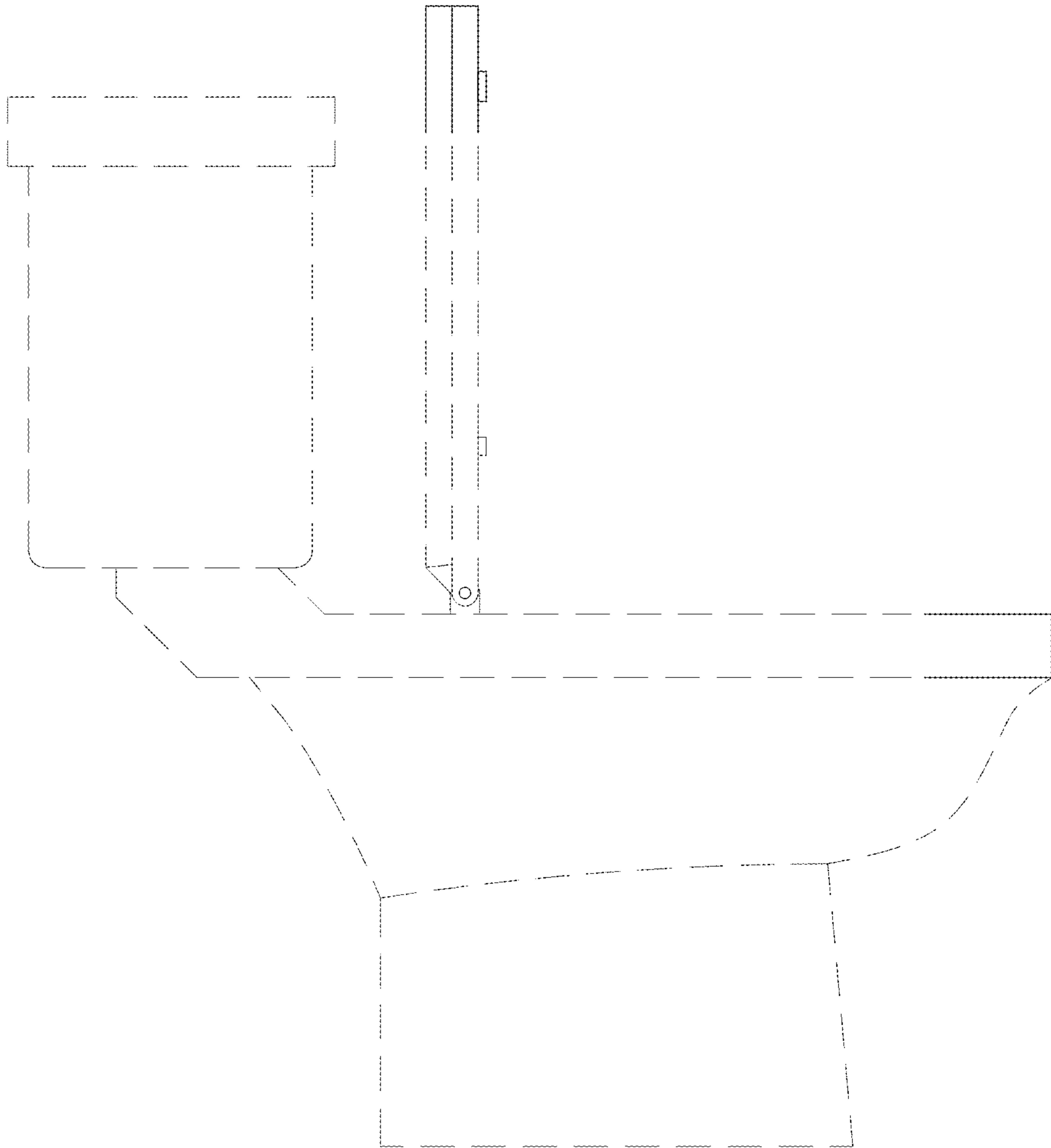


FIG. 3

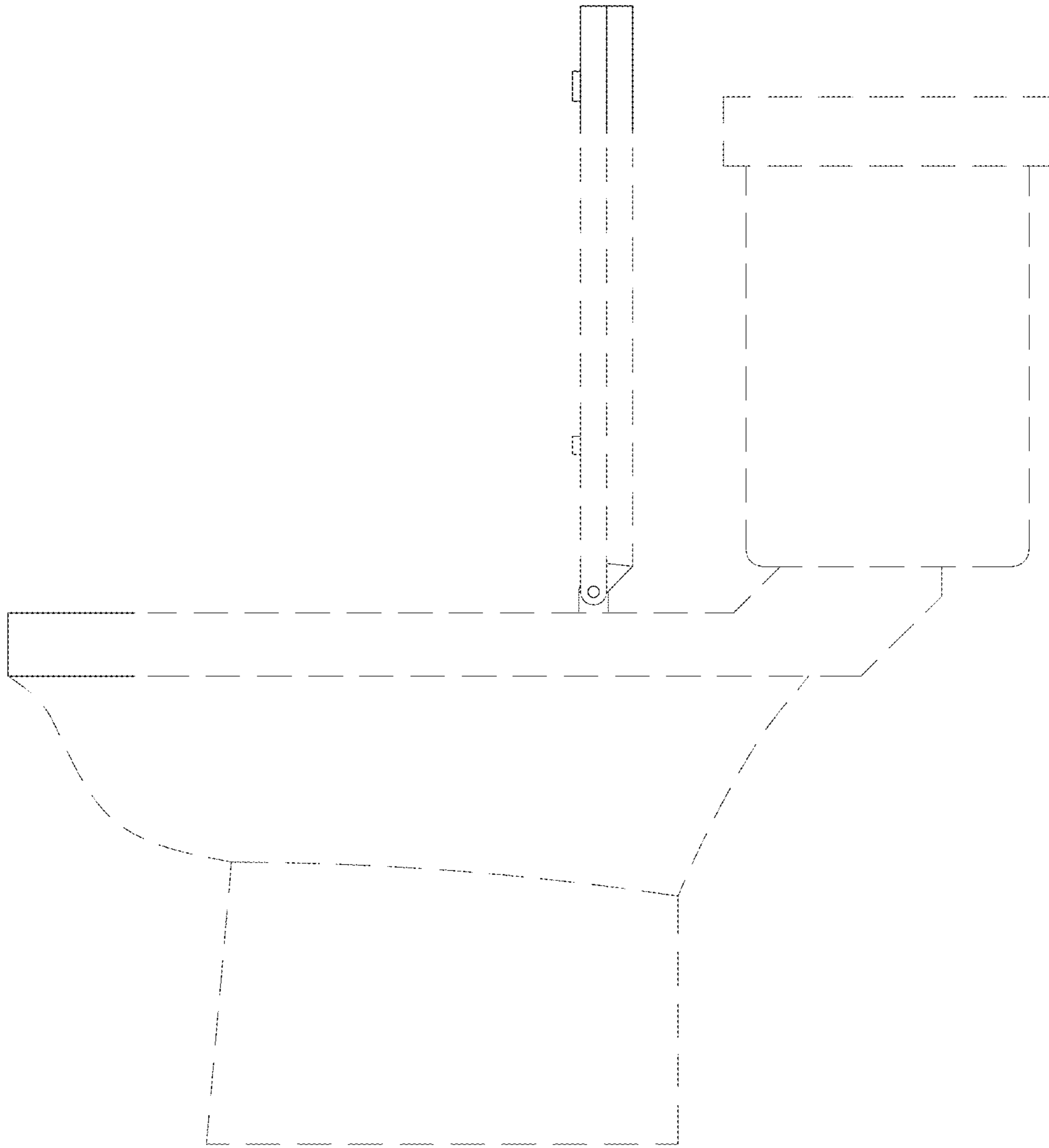


FIG.4

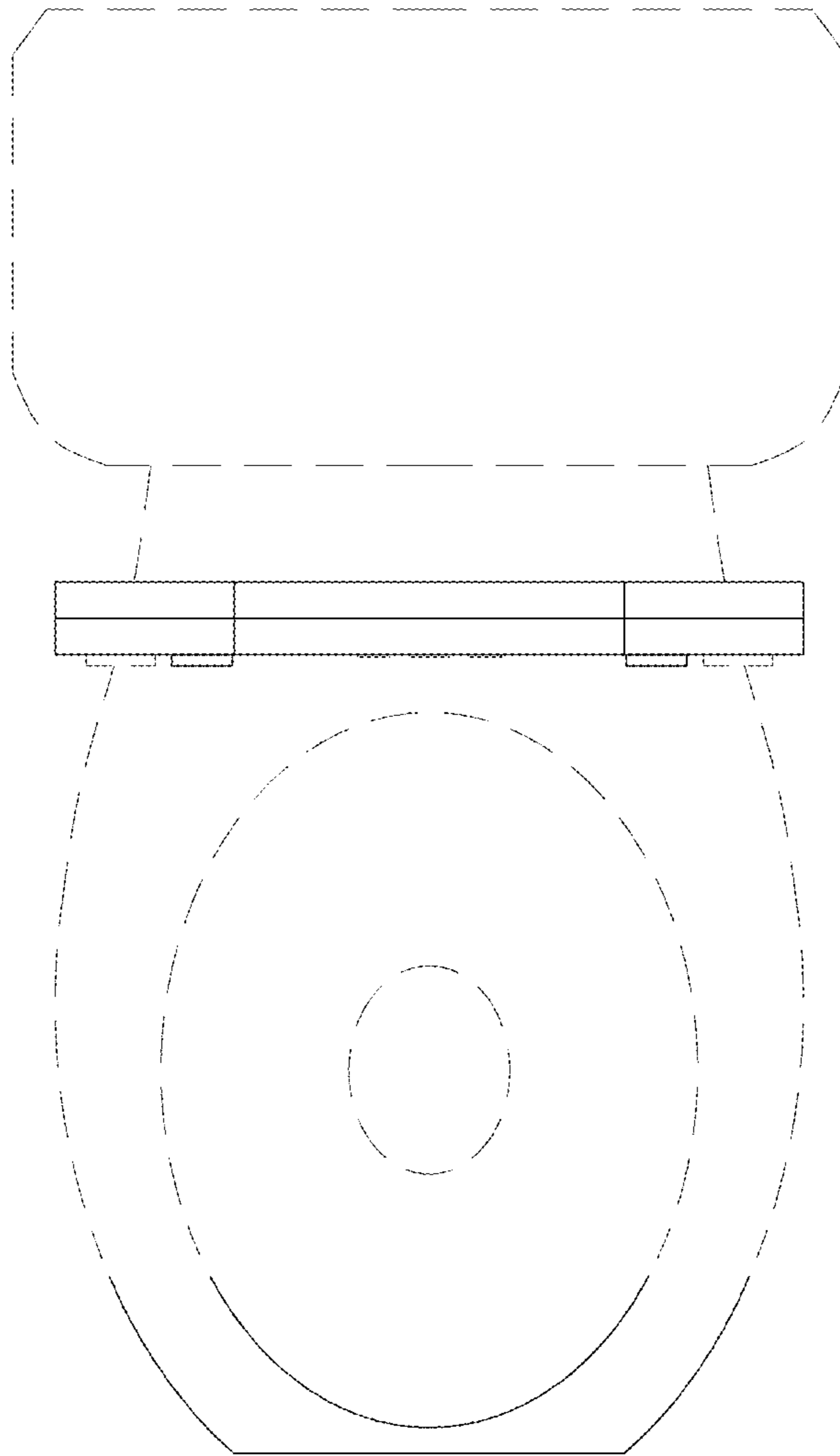


FIG. 5