



US00D885534S

(12) **United States Design Patent**
McMaster et al.

(10) **Patent No.:** **US D885,534 S**

(45) **Date of Patent:** **** May 26, 2020**

(54) **TUB PLAY SET**

(71) Applicants: **Shaun M. McMaster**, Hanover, PA
(US); **Steven R. McMaster**, Hanover,
PA (US)

(72) Inventors: **Shaun M. McMaster**, Hanover, PA
(US); **Steven R. McMaster**, Hanover,
PA (US)

(**) Term: **15 Years**

(21) Appl. No.: **29/659,209**

(22) Filed: **Aug. 7, 2018**

(51) **LOC (12) Cl.** **23-02**

(52) **U.S. Cl.**
USPC **D23/277**

(58) **Field of Classification Search**
USPC D23/277, 280.1, 304, 307; D21/519;
D30/158
CPC A61H 2035/004
See application file for complete search history.

(56) **References Cited**

U.S. PATENT DOCUMENTS

3,444,564 A * 5/1969 Lavacchia A47K 3/004
4/559
D228,347 S * 9/1973 Bolduc D23/304

5,621,928 A * 4/1997 Willhight A47K 3/001
4/559
D679,232 S * 4/2013 Thomas D12/185
2012/0029400 A1 * 2/2012 Moretto A61H 33/6089
601/55
2012/0144579 A1 * 6/2012 Fabian A61H 33/02
4/541.1
2017/0215652 A1 * 8/2017 Smith A47K 3/02

* cited by examiner

Primary Examiner — Robert A Delehanty
(74) *Attorney, Agent, or Firm* — Sanchelima &
Associates, P.A.; Christian Sanchelima; Jesus Sanchelima

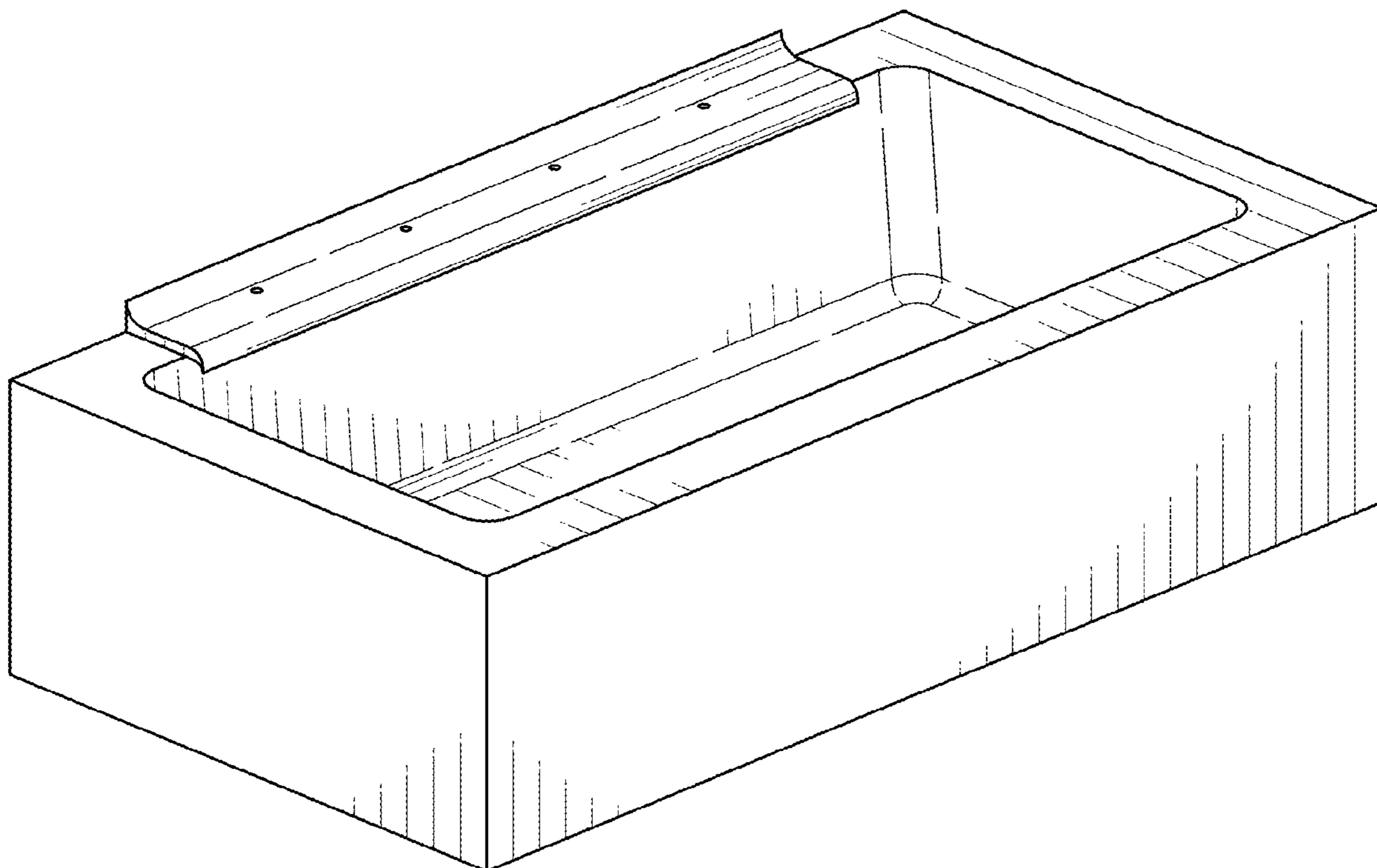
(57) **CLAIM**

The ornamental design for tub play set, as shown and described.

DESCRIPTION

FIG. 1 is an isometric view of a tub play set showing our new design;
FIG. 2 is a front view thereof;
FIG. 3 is a rear view thereof;
FIG. 4 is a left side view thereof;
FIG. 5 is a right side view thereof;
FIG. 6 is a top view thereof; and,
FIG. 7 is a bottom view thereof showing my design.

1 Claim, 4 Drawing Sheets



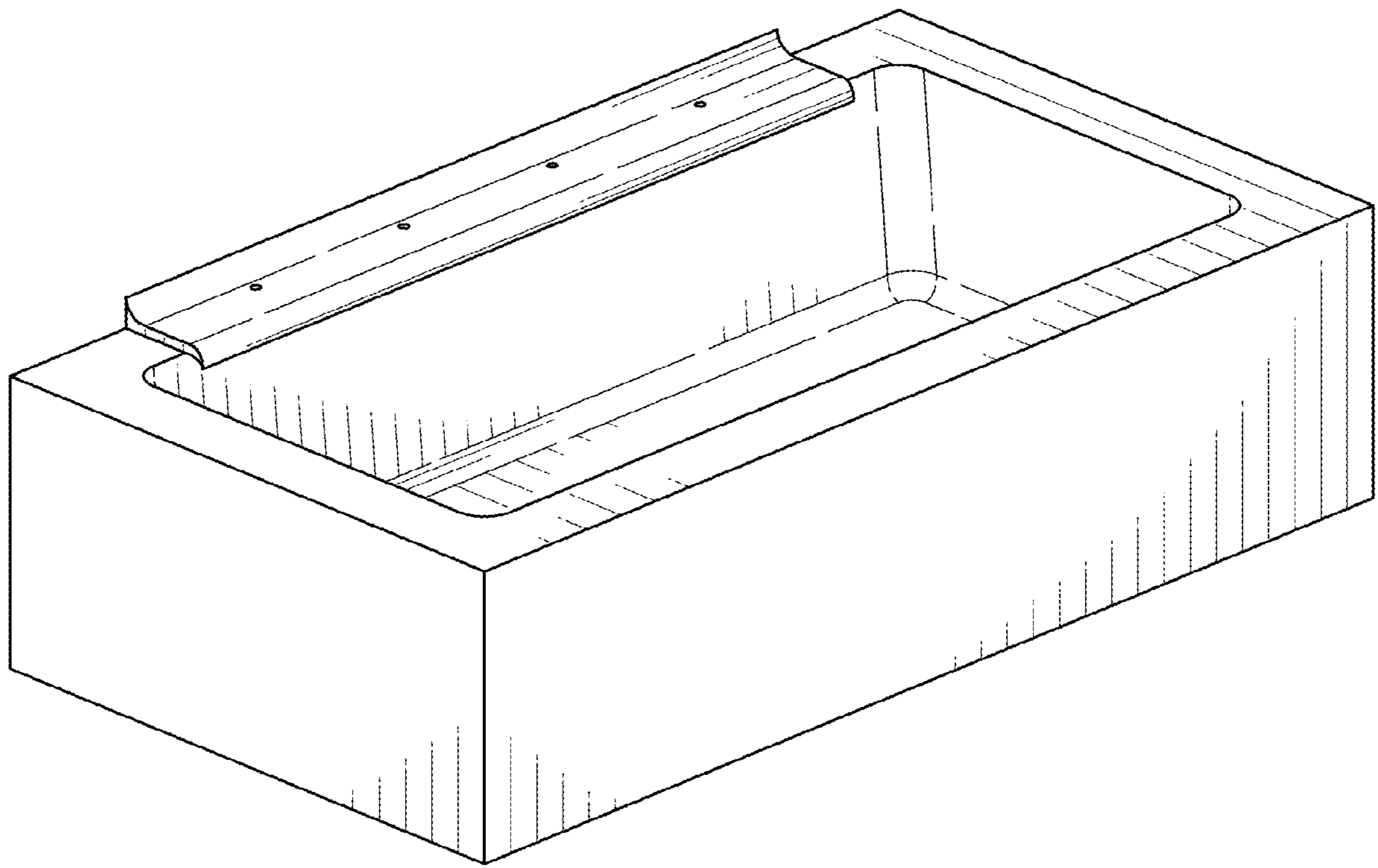


FIG. 1

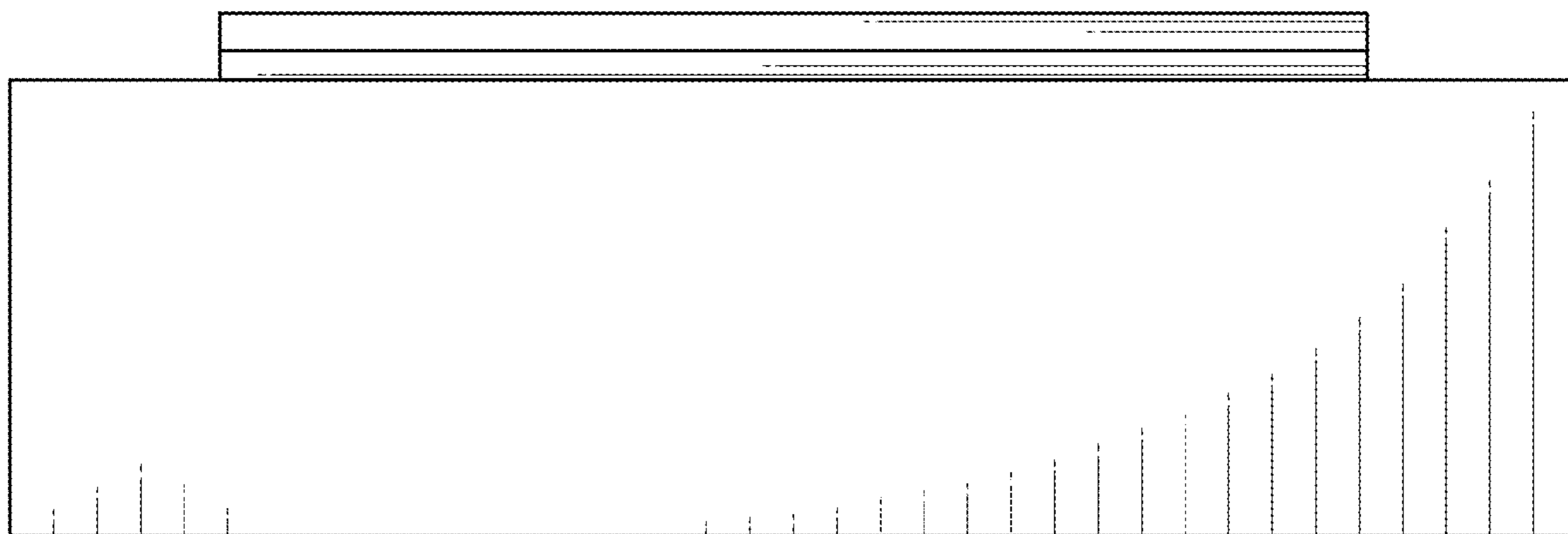


FIG. 2

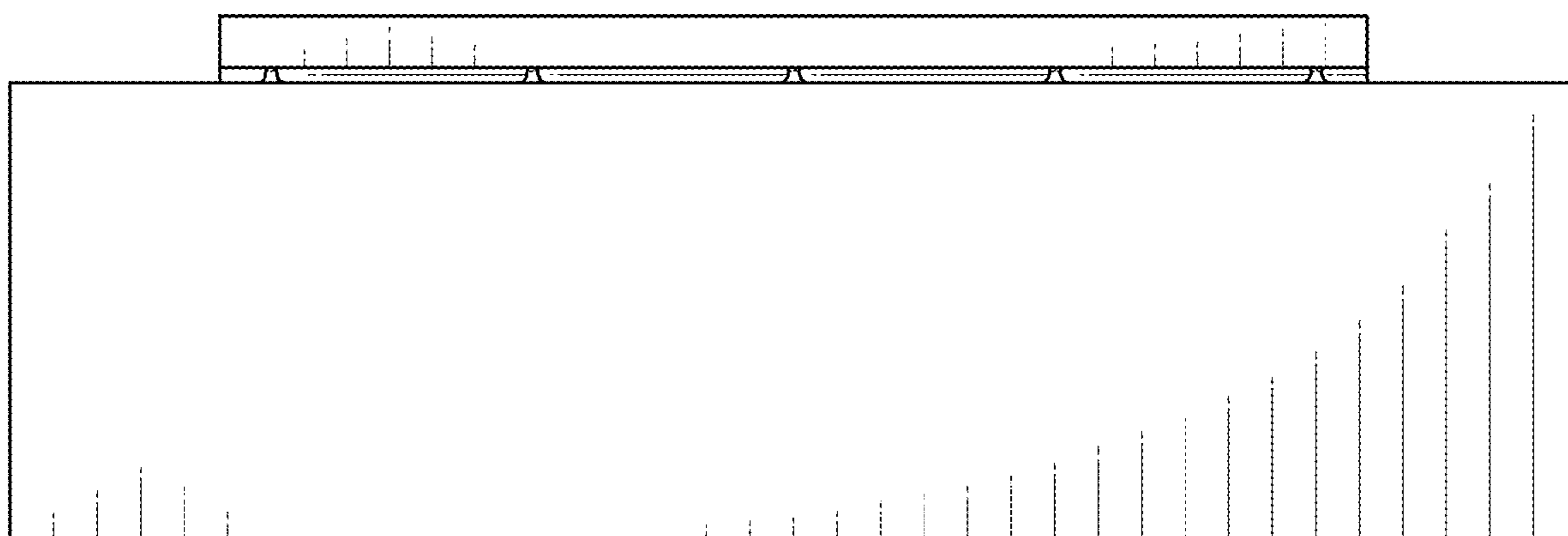


FIG. 3

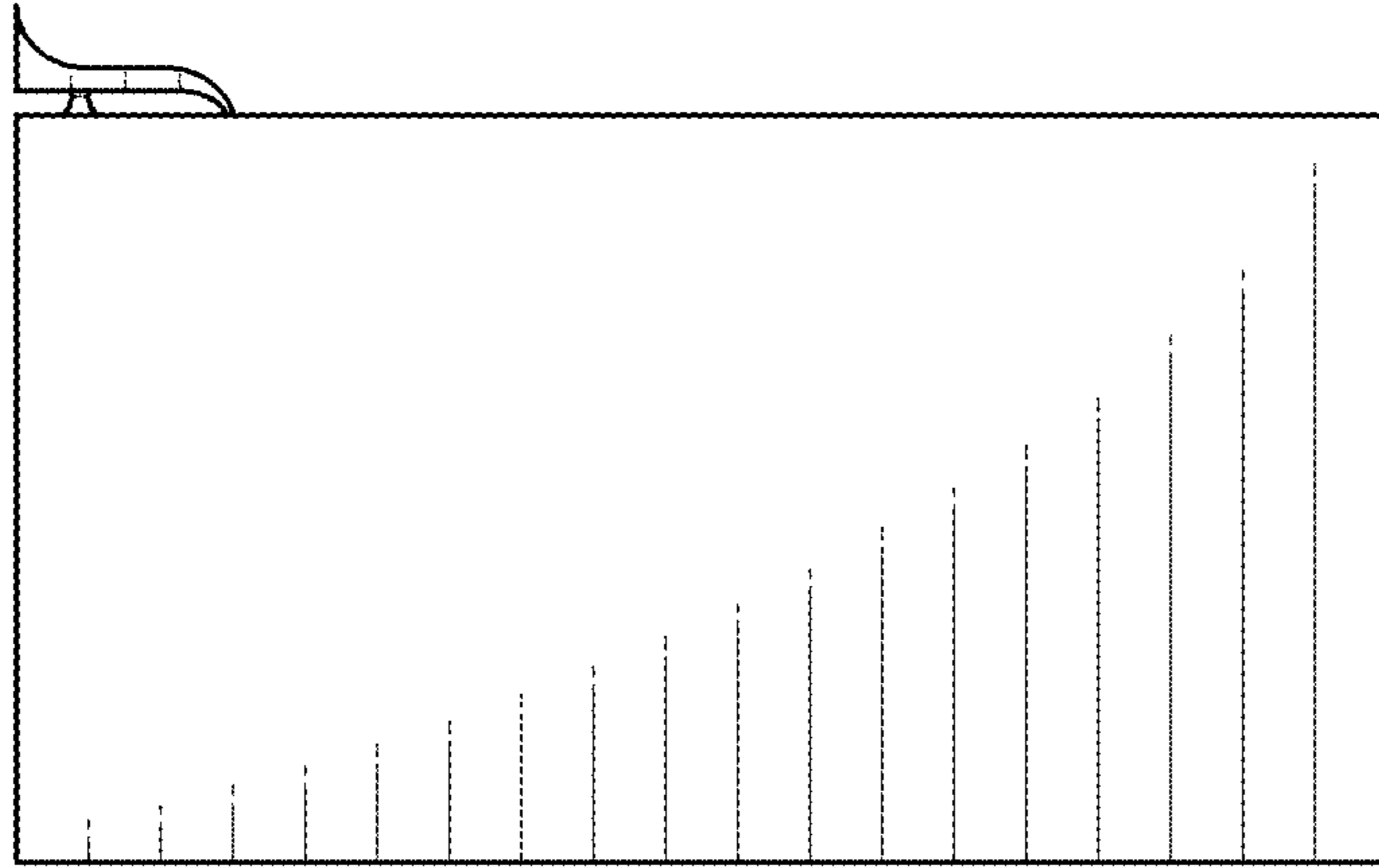


FIG. 4

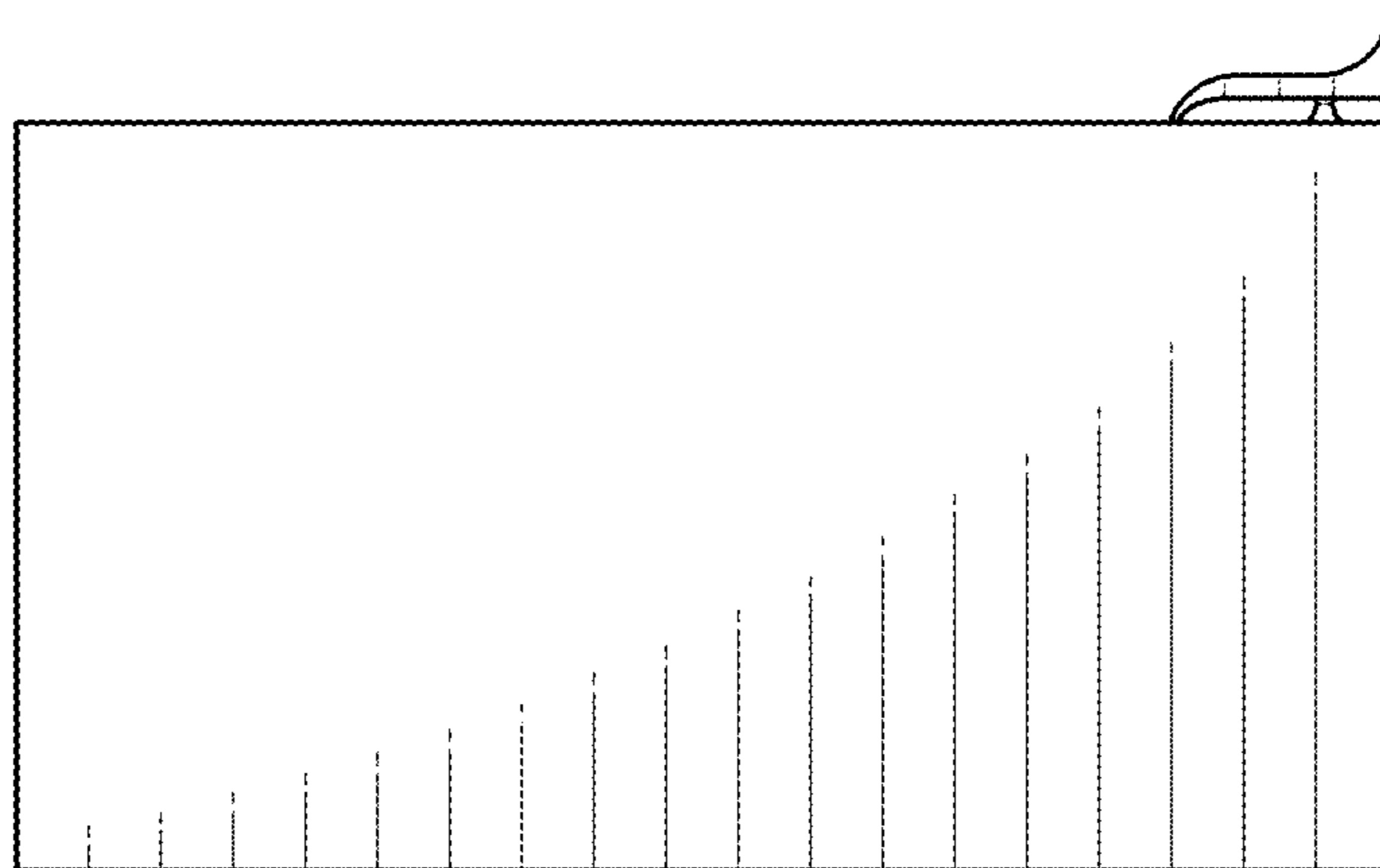


FIG. 5

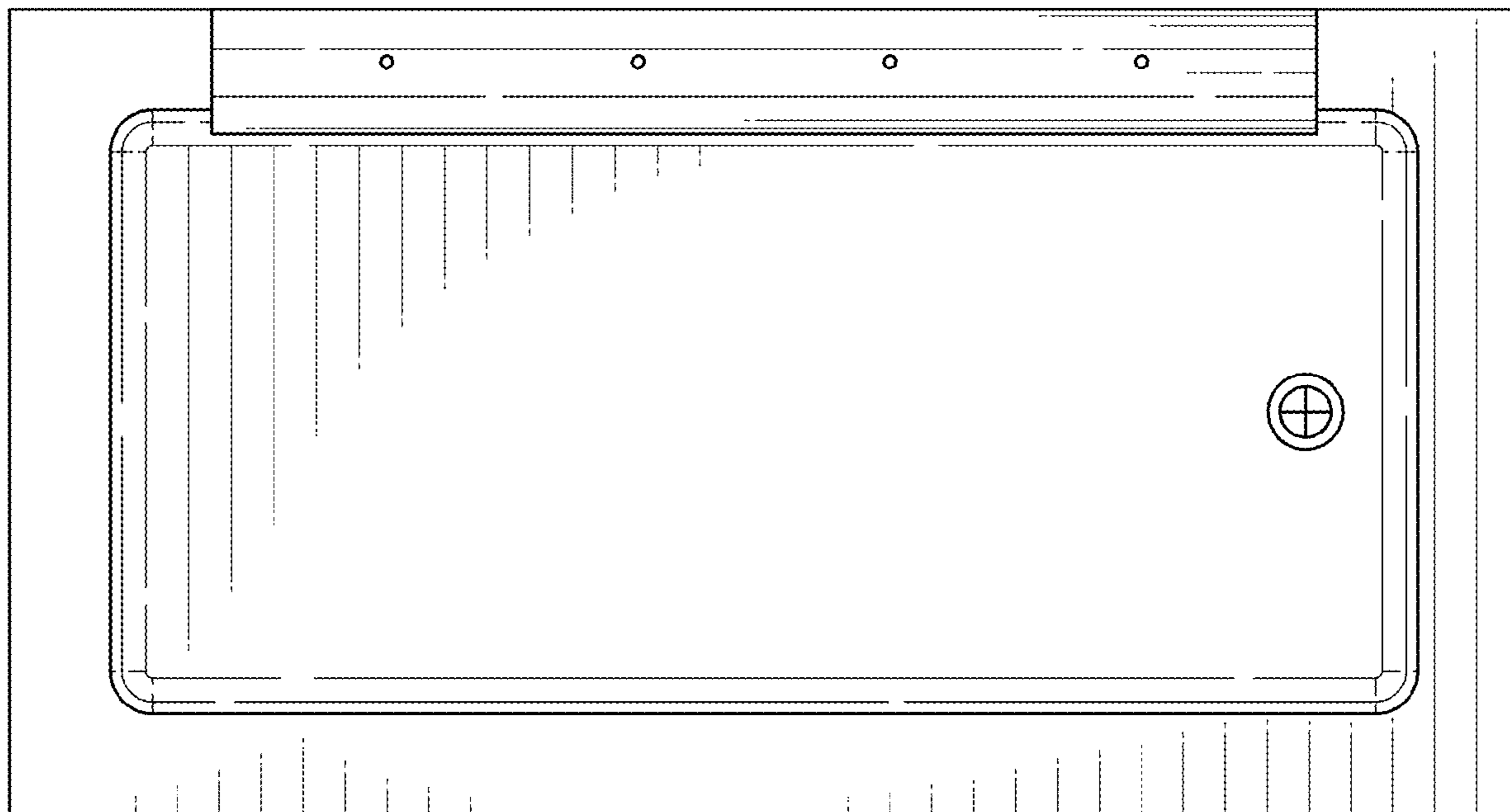


FIG. 6

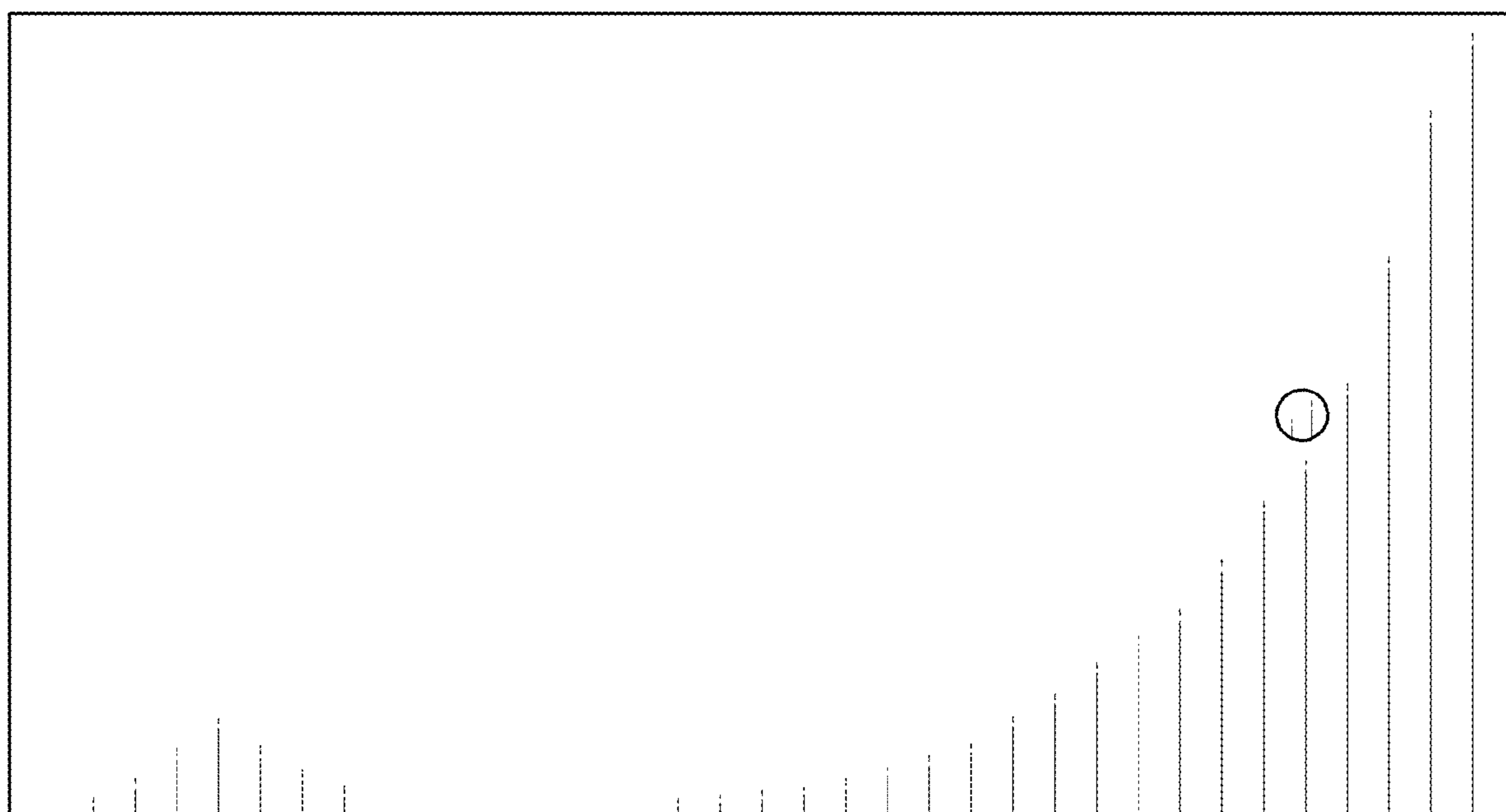


FIG. 7