



US00D885532S

(12) **United States Design Patent**
Gori

(10) **Patent No.:** **US D885,532 S**
(45) **Date of Patent:** **** May 26, 2020**

- (54) **GUTTER GUARD MAIN BODY**
- (71) Applicant: **LEAFFILTER NORTH, LLC**,
Hudson, OH (US)
- (72) Inventor: **Michael Gori**, Norton, OH (US)
- (73) Assignee: **LeafFilter North, LLC**, Hudson, OH
(US)
- (**) Term: **15 Years**
- (21) Appl. No.: **29/647,708**
- (22) Filed: **May 15, 2018**
- (51) **LOC (12) Cl.** **23-01**
- (52) **U.S. Cl.**
USPC **D23/267**
- (58) **Field of Classification Search**
USPC D23/259, 260, 267, 209, 365; D25/119,
D25/121-124, 133, 139, 141-142;
52/11-16

(Continued)

(56) **References Cited**

U.S. PATENT DOCUMENTS

- 1,349,264 A * 8/1920 Busse E04D 13/076
210/474
- 4,959,932 A * 10/1990 Pfeifer E04D 13/076
52/12

(Continued)

Primary Examiner — Amy C Wierenga

(74) *Attorney, Agent, or Firm* — Benesch, Friedlander,
Coplan & Aronoff LLP

(57) **CLAIM**

What is claimed is the ornamental design of a gutter guard main body, as shown and described.

DESCRIPTION

FIG. 1 is a perspective view of a first embodiment of the gutter guard main body;

FIG. 2 is a top plan view of the gutter guard main body of FIG. 1;

FIG. 3 is a bottom plan view of the gutter guard main body of FIG. 1;

FIG. 4 is an enlarged detail view of area 4 taken from FIG. 3, which is representative of the series of equivalent features illustrated in FIG. 3;

FIG. 5 is a left-side elevation view of the gutter guard main body of FIG. 1;

FIG. 6 is an enlarged detailed view of area 6 taken from FIG. 5, which is representative of the series of equivalent features illustrated in FIG. 5;

FIG. 7 is an enlarged detailed view of area 7 taken from FIG. 5;

FIG. 8 is a right-side elevation view of the gutter guard main body of FIG. 1;

FIG. 9 is an enlarged detailed view of area 9 taken from FIG. 8, which is representative of the series of equivalent features illustrated in FIG. 8;

FIG. 10 is an enlarged detailed view of area 10 taken from FIG. 8;

FIG. 11 is a front elevation view of the gutter guard main body of FIG. 1;

FIG. 12 is a rear elevation view of the gutter guard main body of FIG. 1;

FIG. 13 is an enlarged detailed view of area 13 taken from FIG. 12, which is representative of the series of equivalent features illustrated in FIG. 12;

FIG. 14 is a perspective view of a second embodiment of the gutter guard main body;

FIG. 15 is a top plan view of the gutter guard main body of FIG. 14;

FIG. 16 is a bottom plan view of the gutter guard main body of FIG. 14;

FIG. 17 is an enlarged detail view of area 17 taken from FIG. 16, which is representative of the series of equivalent features illustrated in FIG. 16;

FIG. 18 is a left-side elevation view of the gutter guard main body of FIG. 14;

FIG. 19 is an enlarged detailed view of area 19 taken from FIG. 18, which is representative of the series of equivalent features illustrated in FIG. 18, which is representative of the series of equivalent features illustrated in FIG. 18;

(Continued)

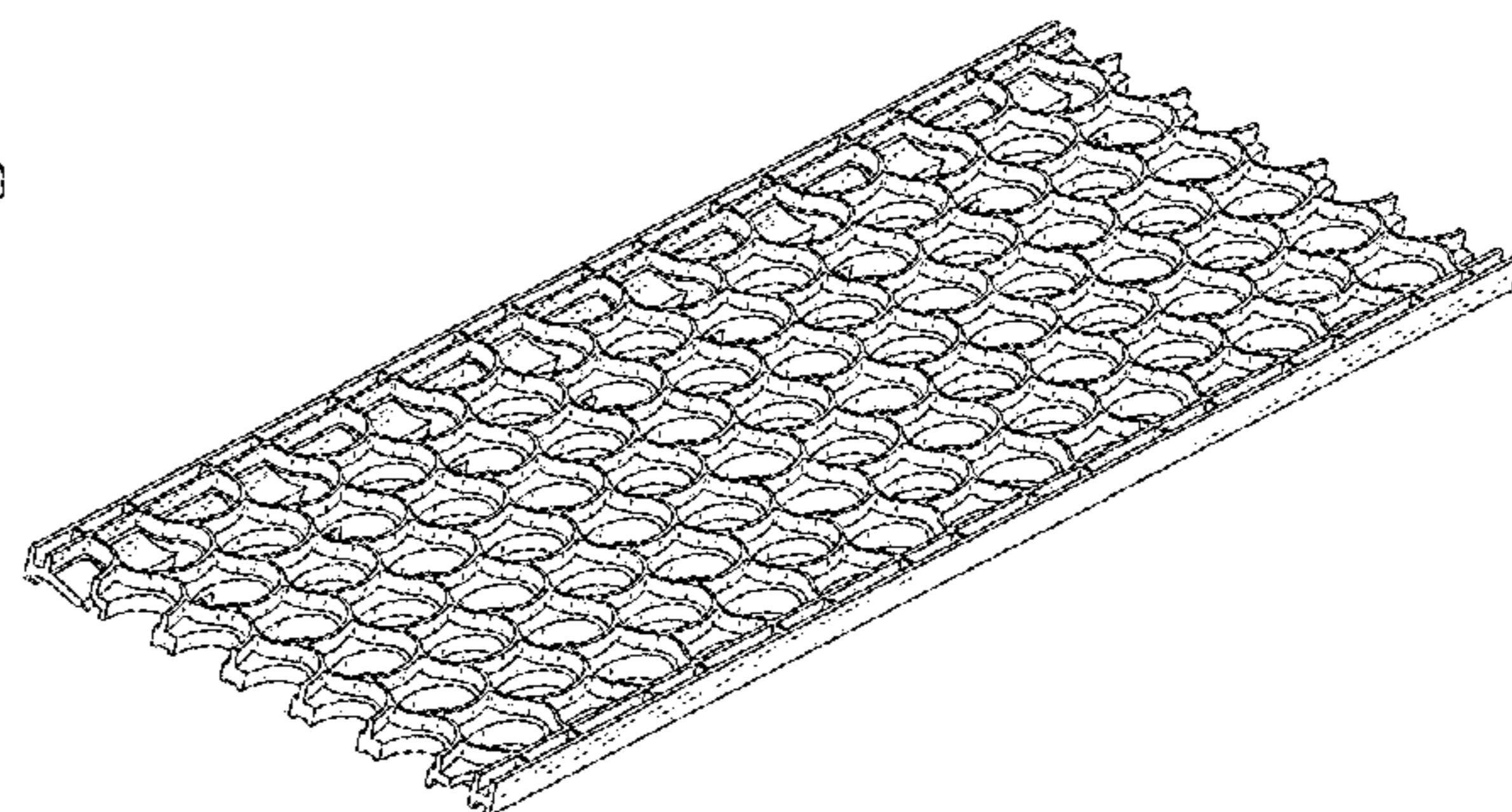
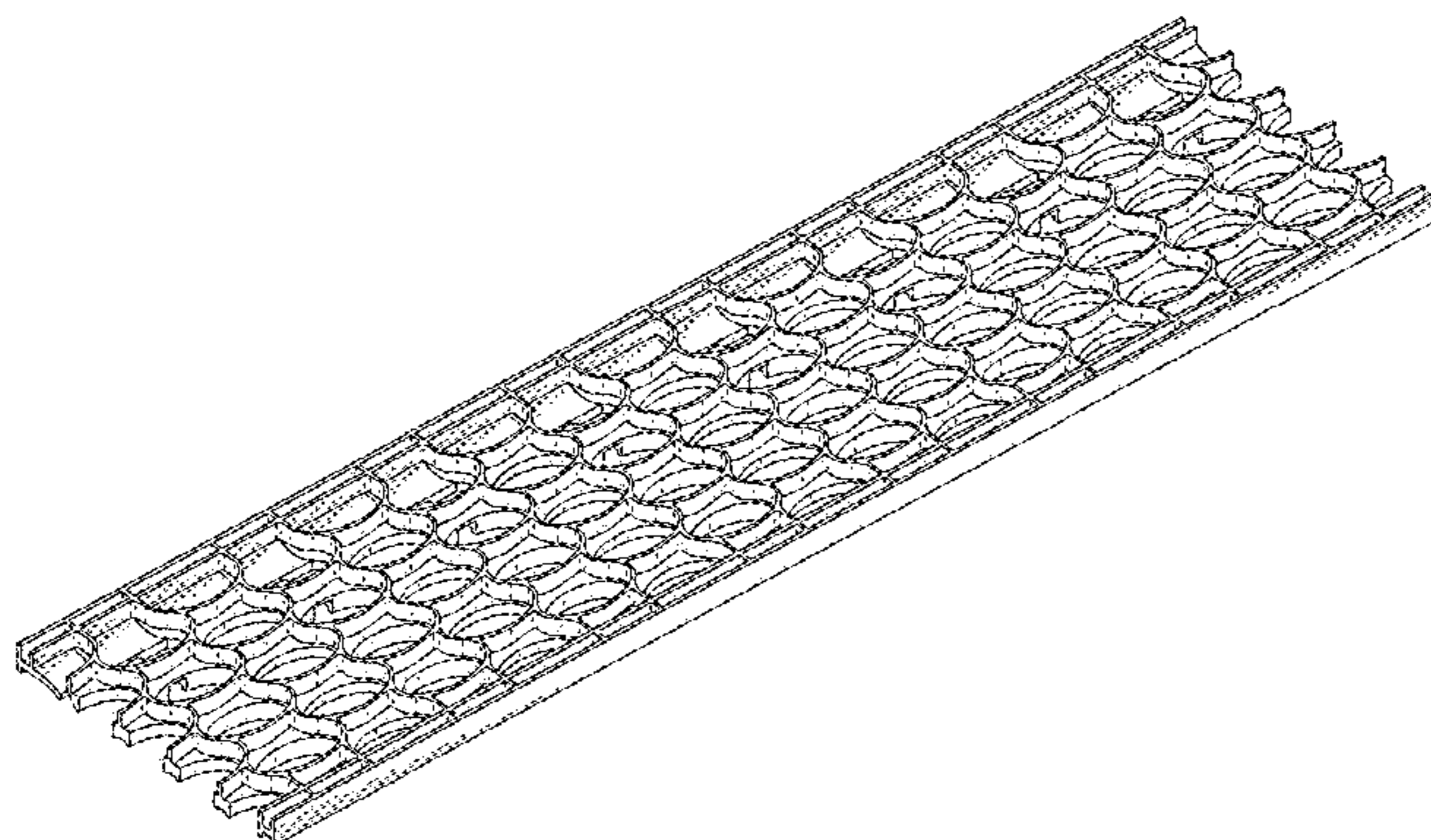


FIG. 20 is an enlarged detailed view of area 20 taken from FIG. 18;
 FIG. 21 is a right-side elevation view of the gutter guard main body of FIG. 14;
 FIG. 22 is an enlarged detailed view of area 22 taken from FIG. 21, which is representative of the series of equivalent features illustrated in FIG. 21;
 FIG. 23 is an enlarged detailed view of area 23 taken from FIG. 21;
 FIG. 24 is a front elevation view of the gutter guard main body of FIG. 14;
 FIG. 25 is a rear elevation view of the gutter guard main body of FIG. 14;
 FIG. 26 is an enlarged detailed view of area 26 taken from FIG. 25, which is representative of the series of equivalent features illustrated in FIG. 25;
 FIG. 27 is a perspective view of a third embodiment of the gutter guard main body;
 FIG. 28 is a top plan view of the gutter guard main body of FIG. 27;
 FIG. 29 is a bottom plan view of the gutter guard main body of FIG. 27;
 FIG. 30 is an enlarged detail view of area 30 taken from FIG. 29, which is representative of the series of equivalent features illustrated in FIG. 29;
 FIG. 31 is a left-side elevation view of the gutter guard main body of FIG. 27;
 FIG. 32 is an enlarged detailed view of area 32 taken from FIG. 31, which is representative of the series of equivalent features illustrated in FIG. 31;
 FIG. 33 is an enlarged detailed view of area 33 taken from FIG. 31;
 FIG. 34 is a right-side elevation view of the gutter guard main body of FIG. 27;
 FIG. 35 is an enlarged detailed view of area 35 taken from FIG. 34, which is representative of the series of equivalent features illustrated in FIG. 34;
 FIG. 36 is an enlarged detailed view of area 36 taken from FIG. 34;
 FIG. 37 is a front elevation view of the gutter guard main body of FIG. 27;

FIG. 38 is a rear elevation view of the gutter guard main body of FIG. 27; and,

FIG. 39 is an enlarged detailed view of area 39 taken from FIG. 38, which is representative of the series of equivalent features illustrated in FIG. 38.

The broken lines shown in the drawings illustrate portions of the gutter guard assembly that form no part of the claim. The dot-dash-dot broken lines indicate cutoff boundaries for enlarged detailed views that form no part of the claim.

1 Claim, 36 Drawing Sheets

(58) **Field of Classification Search**

CPC ... E04D 13/076; E04D 13/072; E04D 13/064;
 E04D 13/068; E04D 13/158; E04D
 13/0641; E04D 13/0459; E04D 13/0477;
 E04D 13/0481; E04D 13/15

See application file for complete search history.

(56) **References Cited**

U.S. PATENT DOCUMENTS

D523,110	S *	6/2006	Anderson	D23/209
8,375,644	B2 *	2/2013	Robins	E04D 13/076 52/12
D683,827	S *	6/2013	Ealer, Sr.	D23/267
8,720,122	B1 *	5/2014	Feldhaus	E04D 13/076 52/12
D722,682	S *	2/2015	Fox	D23/267
9,010,030	B2 *	4/2015	Davis	E04D 13/076 52/11
2011/0067318	A1 *	3/2011	Lenney	E04D 13/076 52/12
2012/0110923	A1 *	5/2012	Robins	E04D 13/076 52/12
2018/0274239	A1 *	9/2018	Cullen	E04D 13/076

* cited by examiner

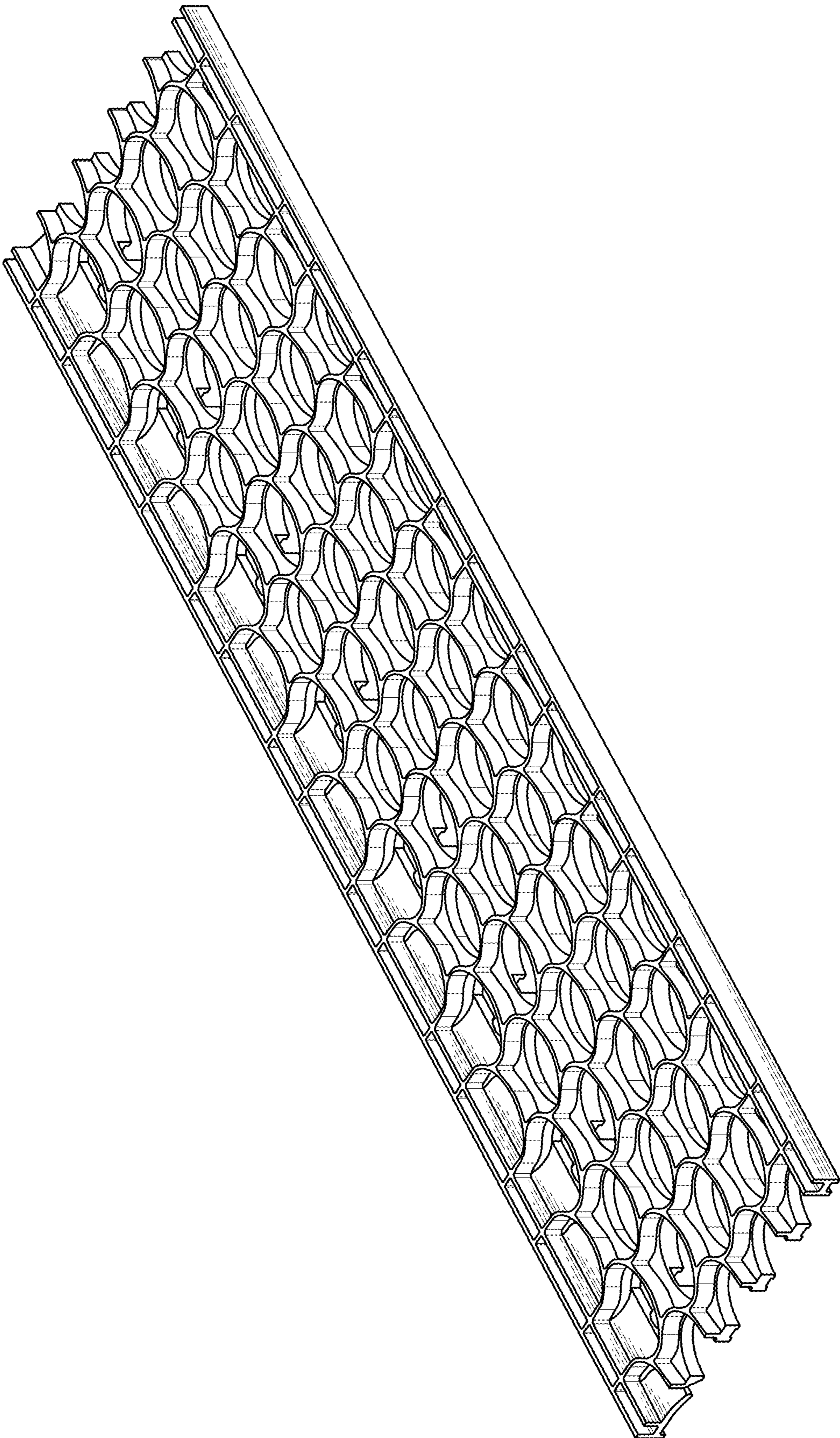


FIG. 1

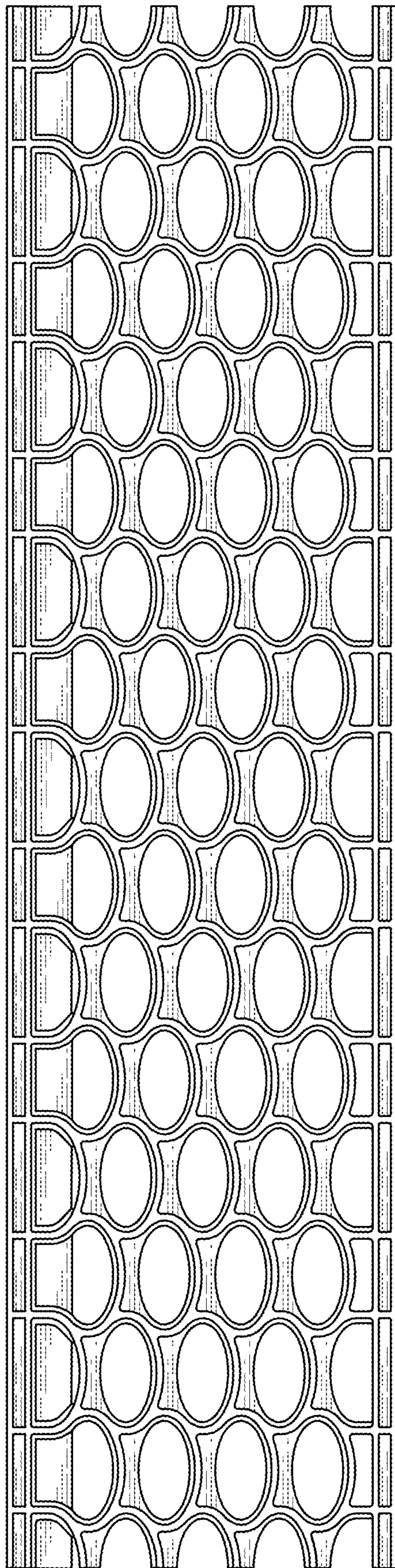


FIG. 2

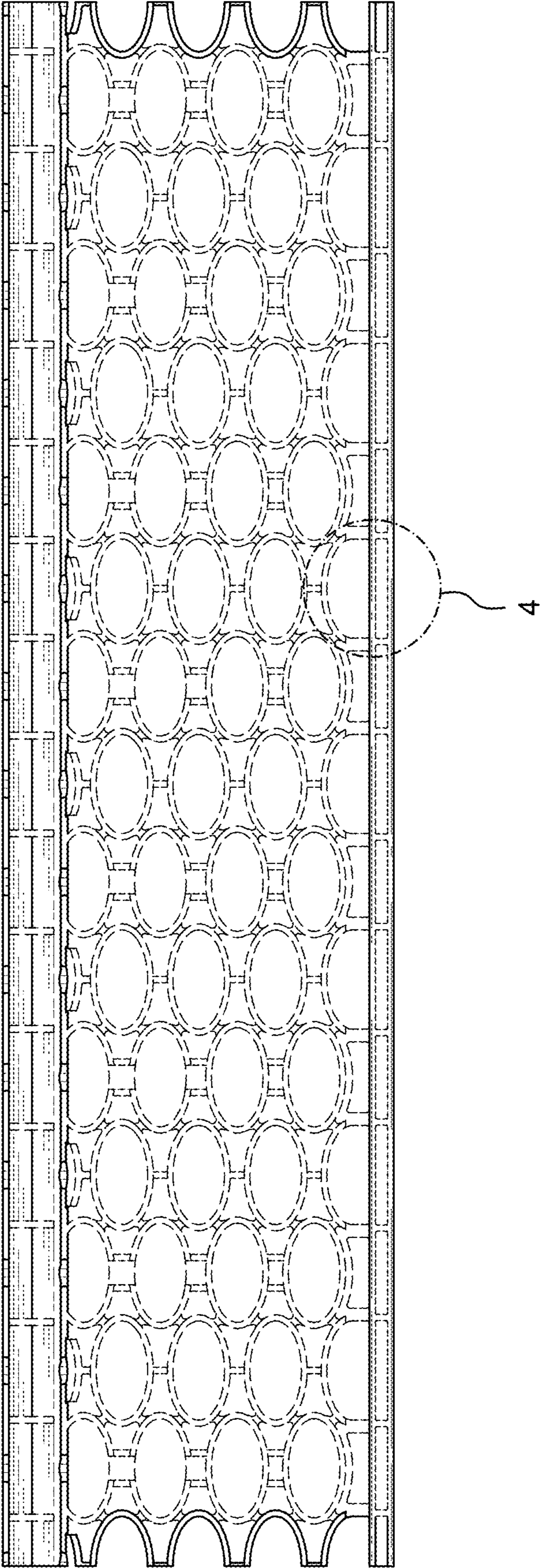


FIG. 3

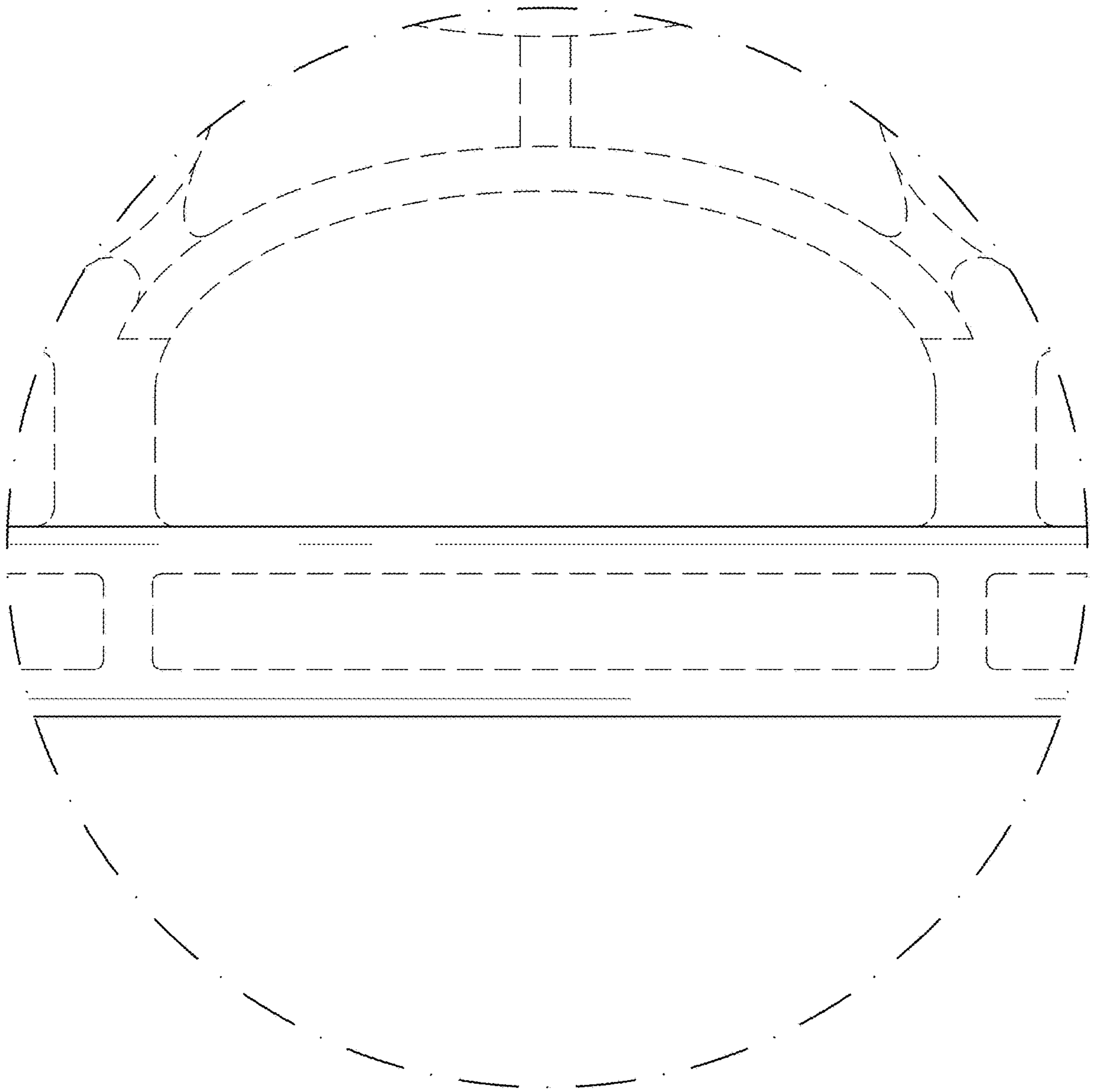


FIG. 4

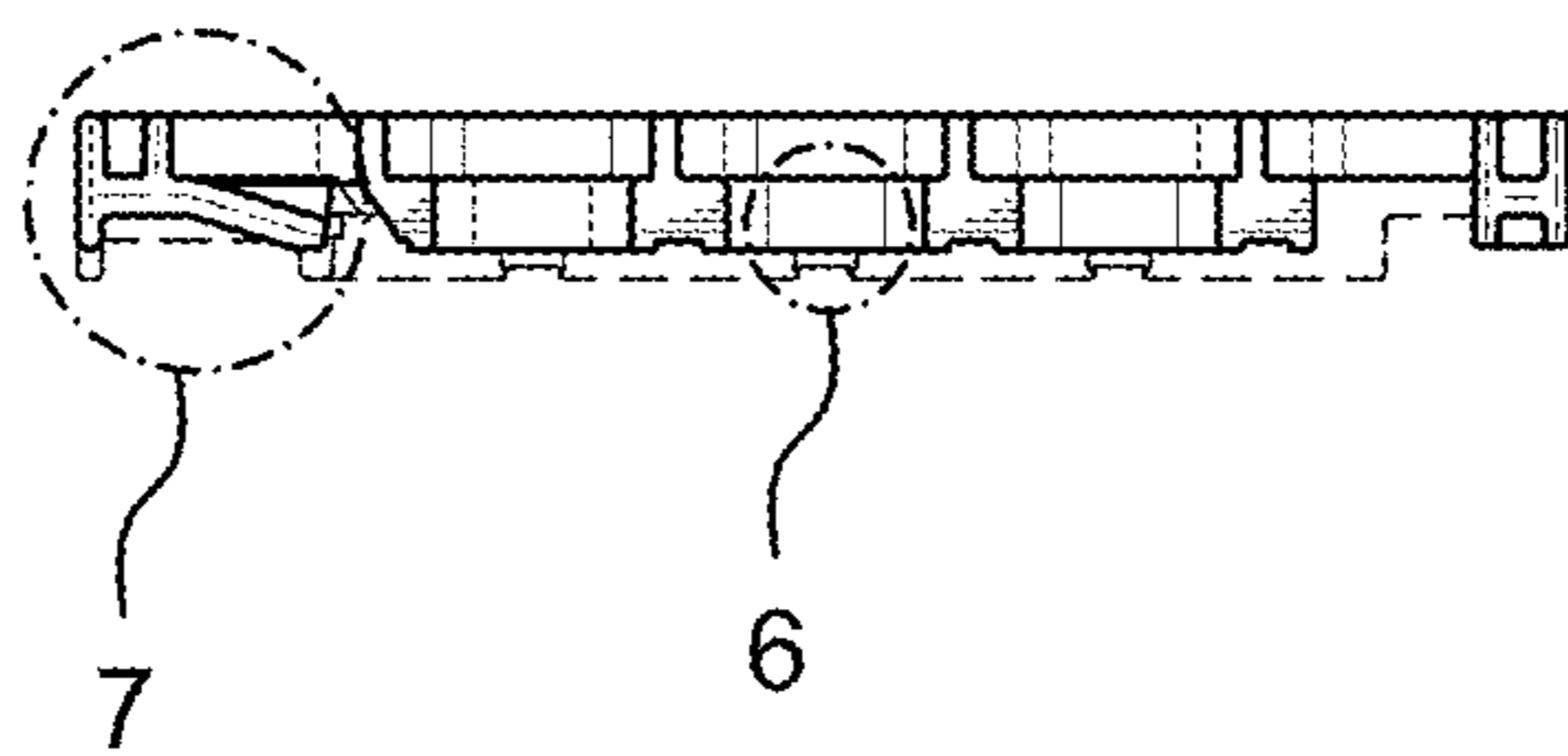


FIG. 5

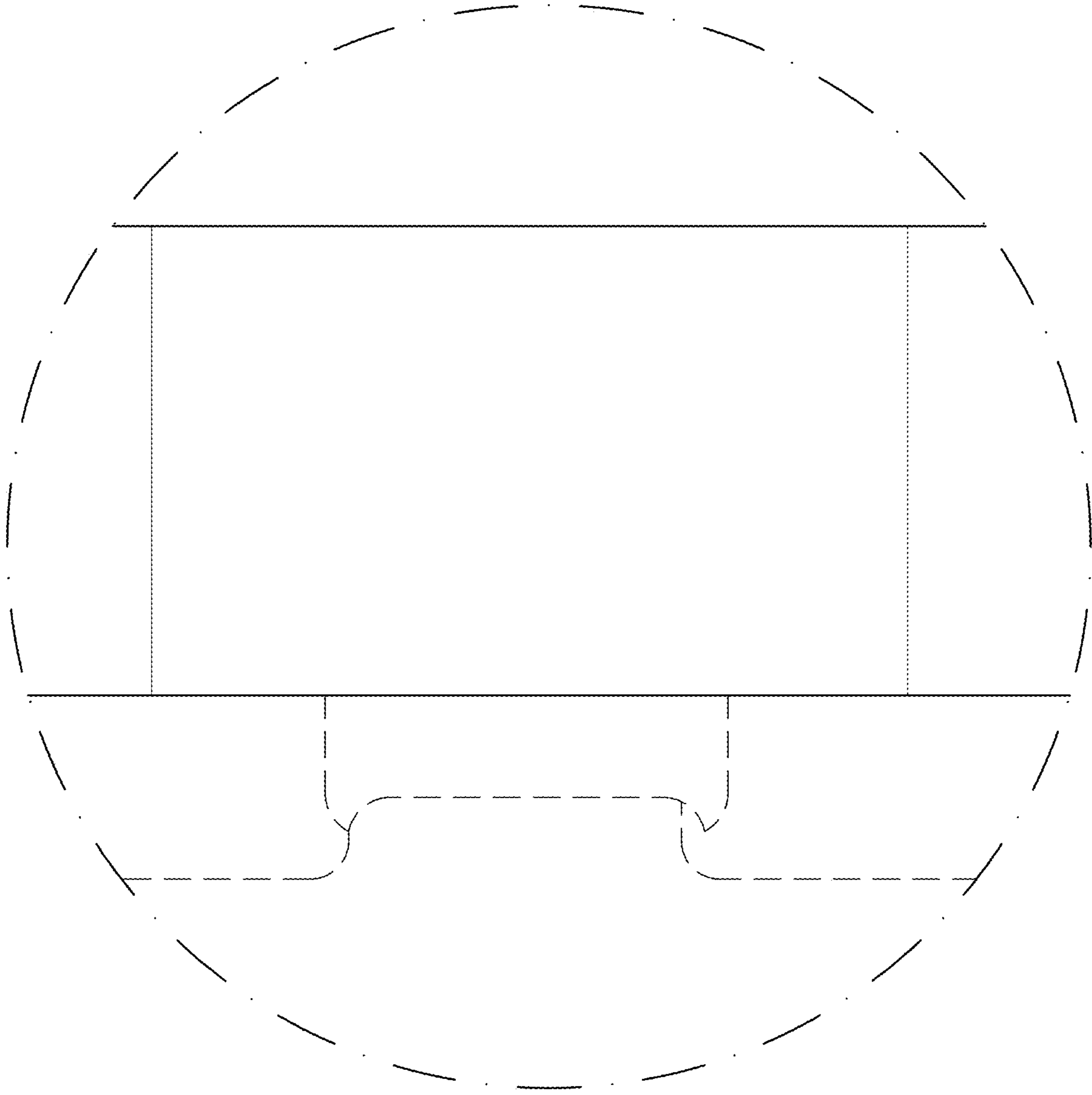


FIG. 6

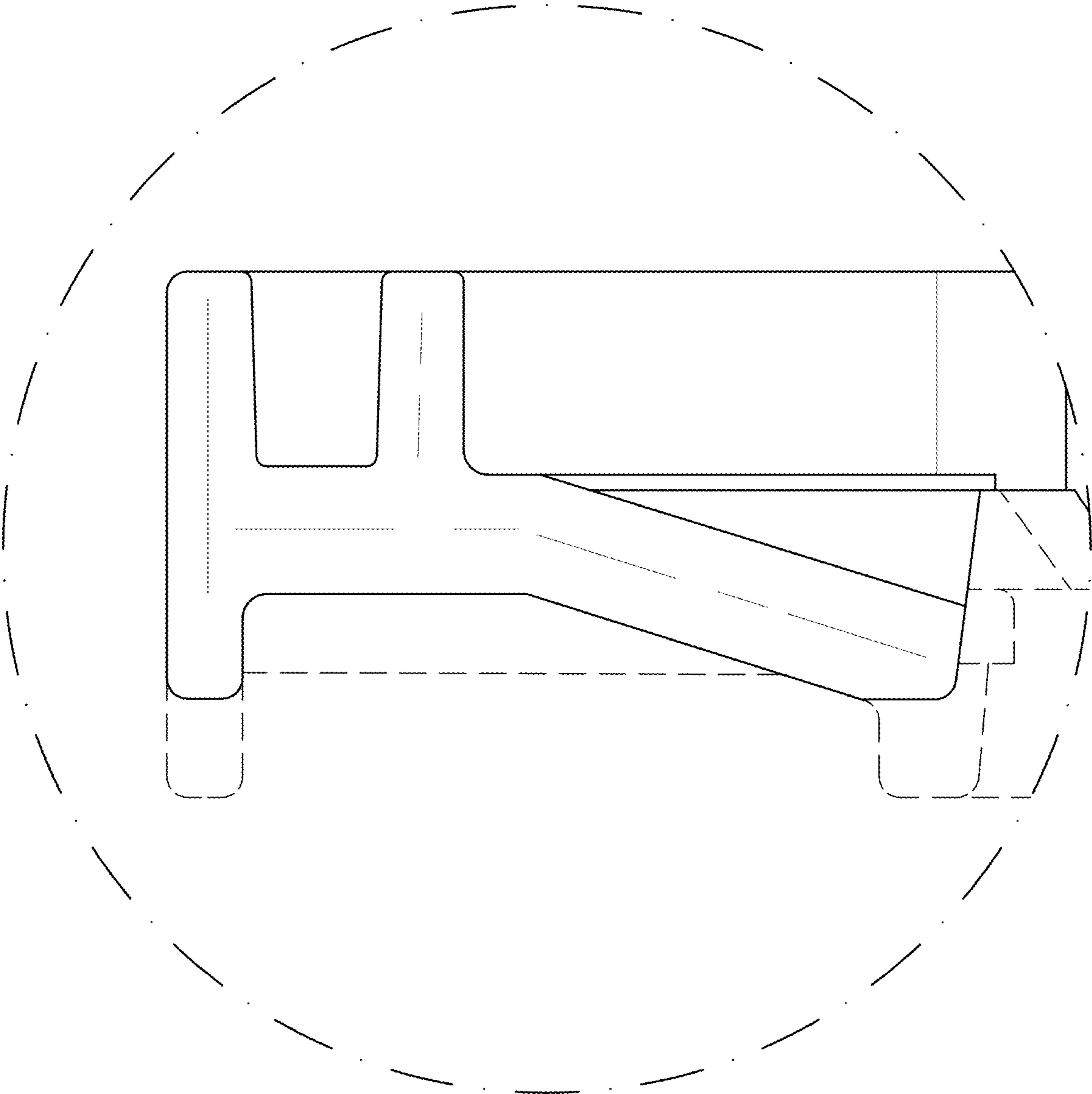


FIG. 7

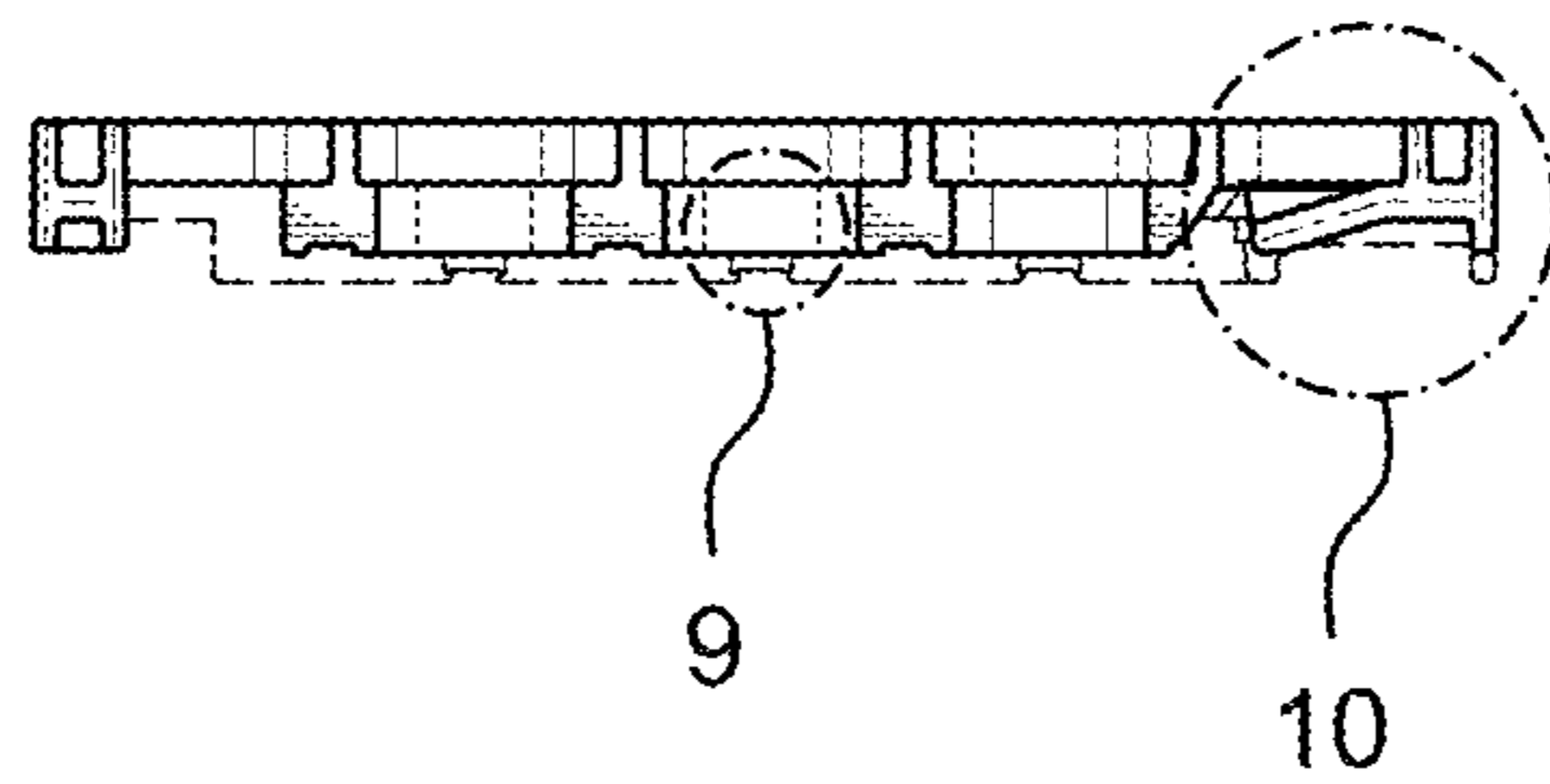


FIG. 8

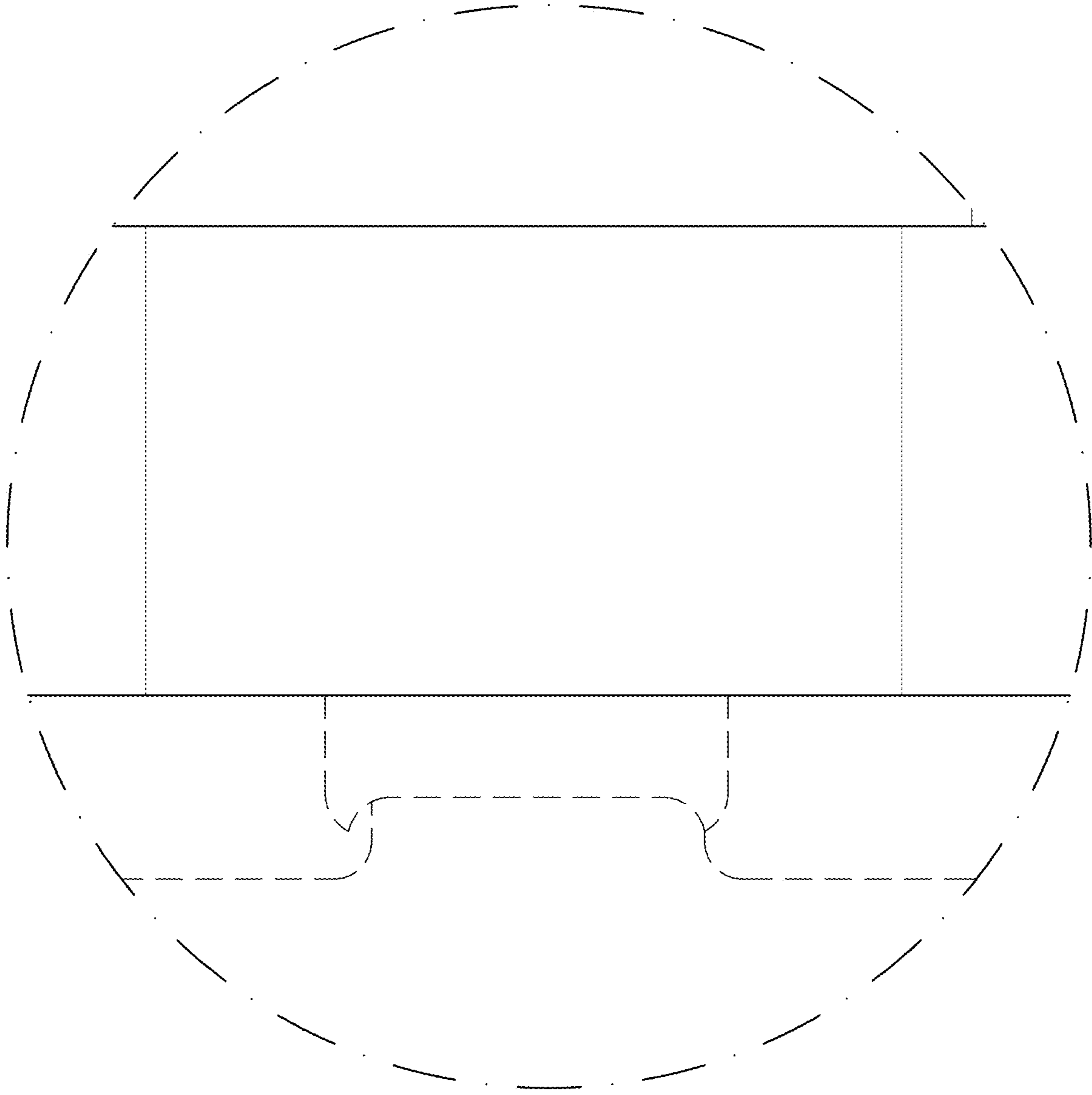


FIG. 9

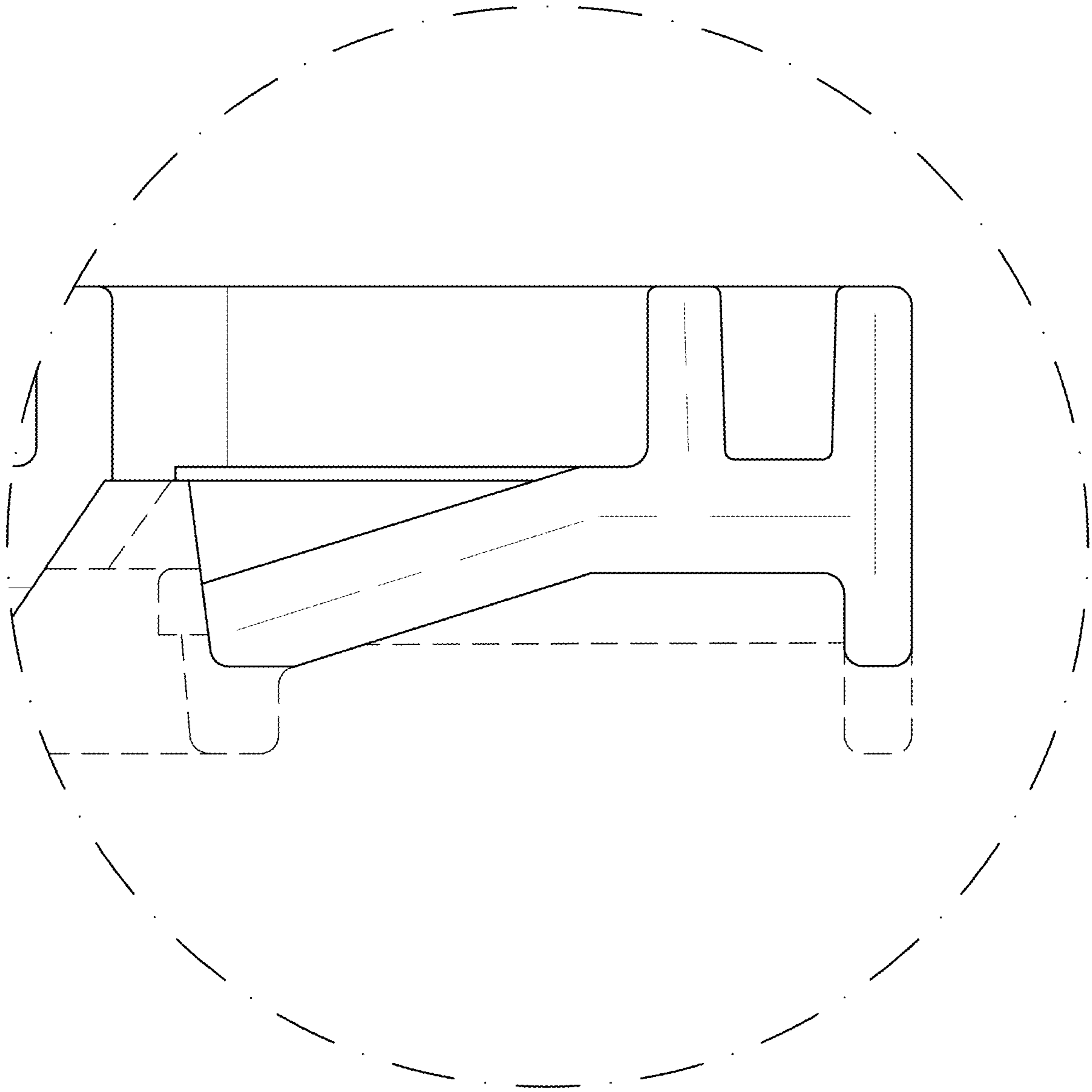


FIG. 10



FIG. 11

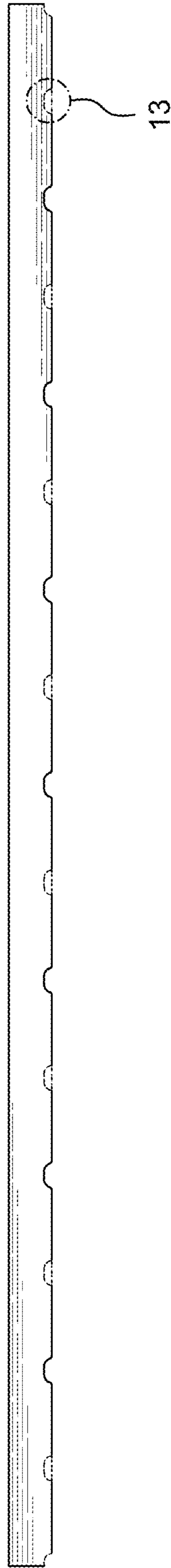


FIG. 12

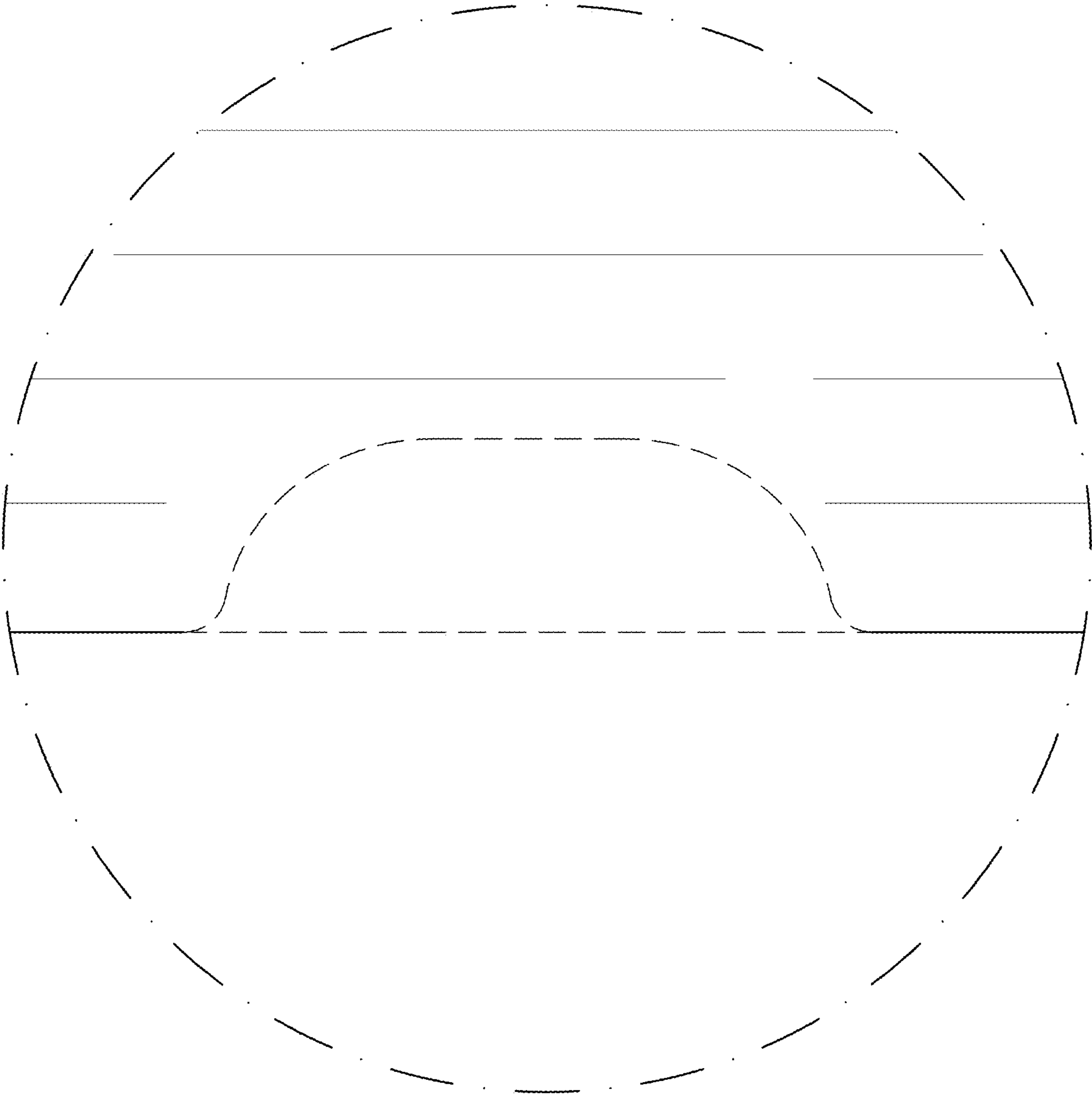


FIG. 13

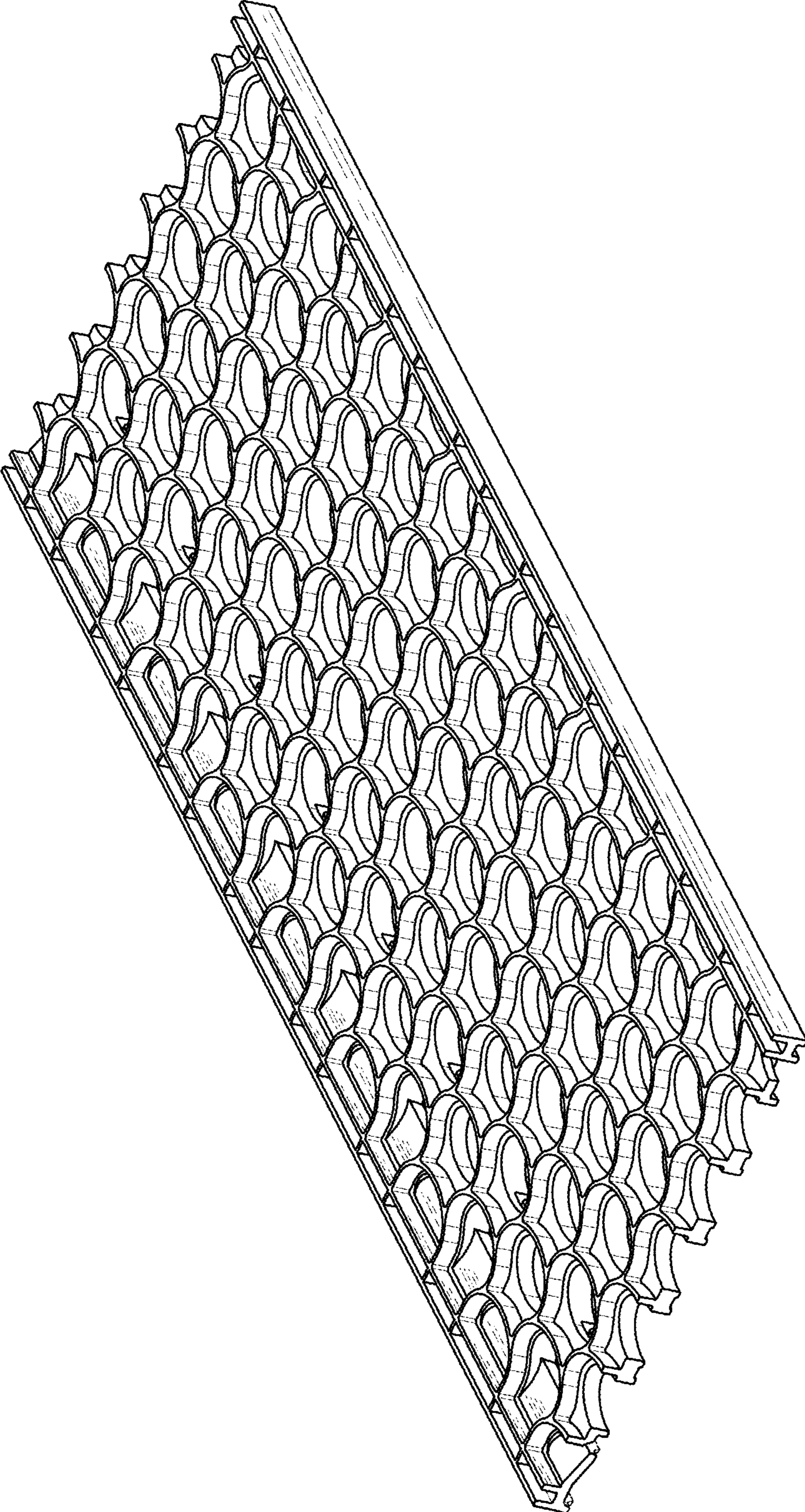


FIG. 14

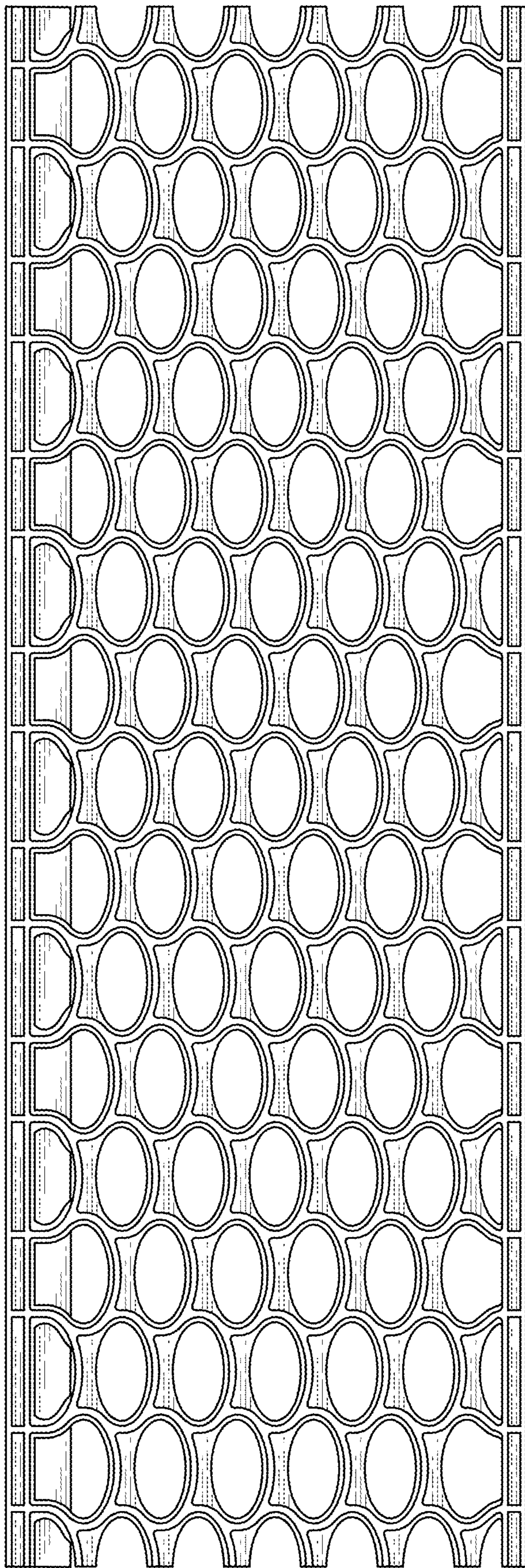


FIG. 15

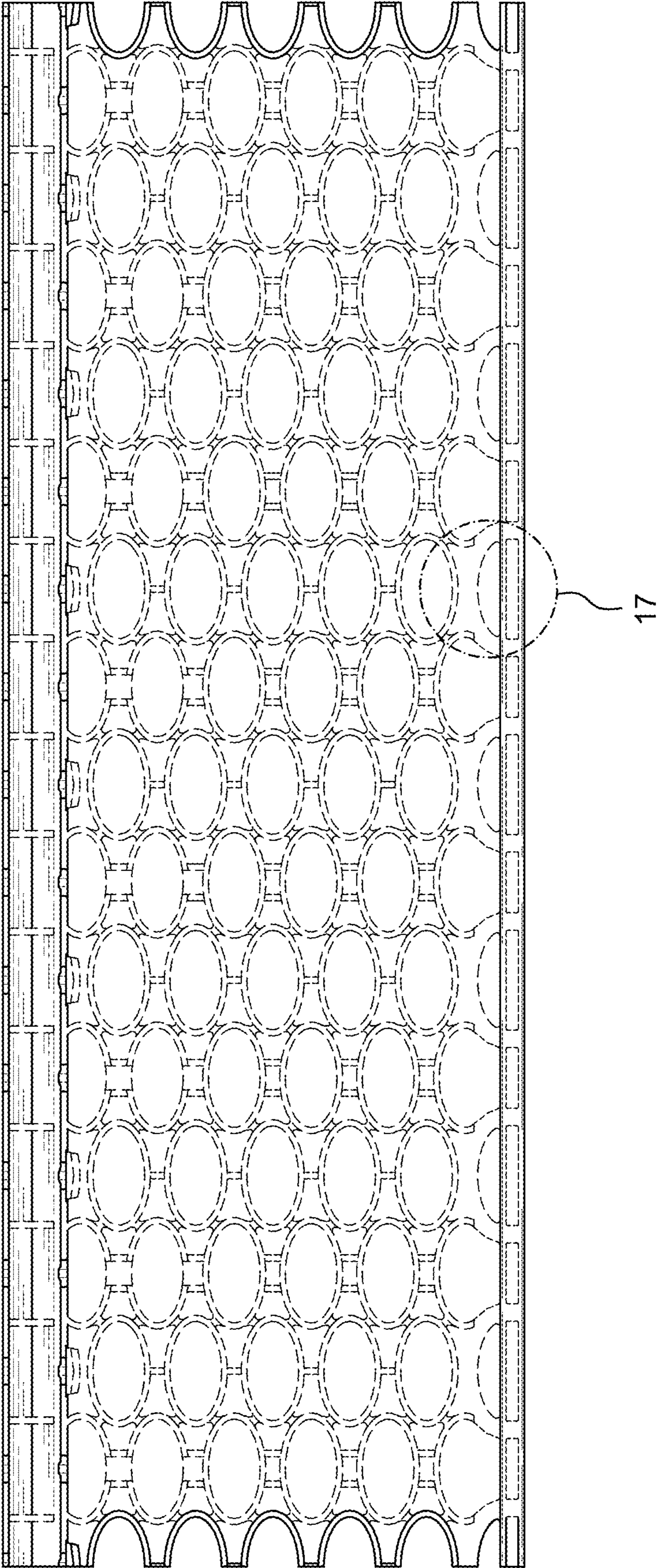


FIG. 16

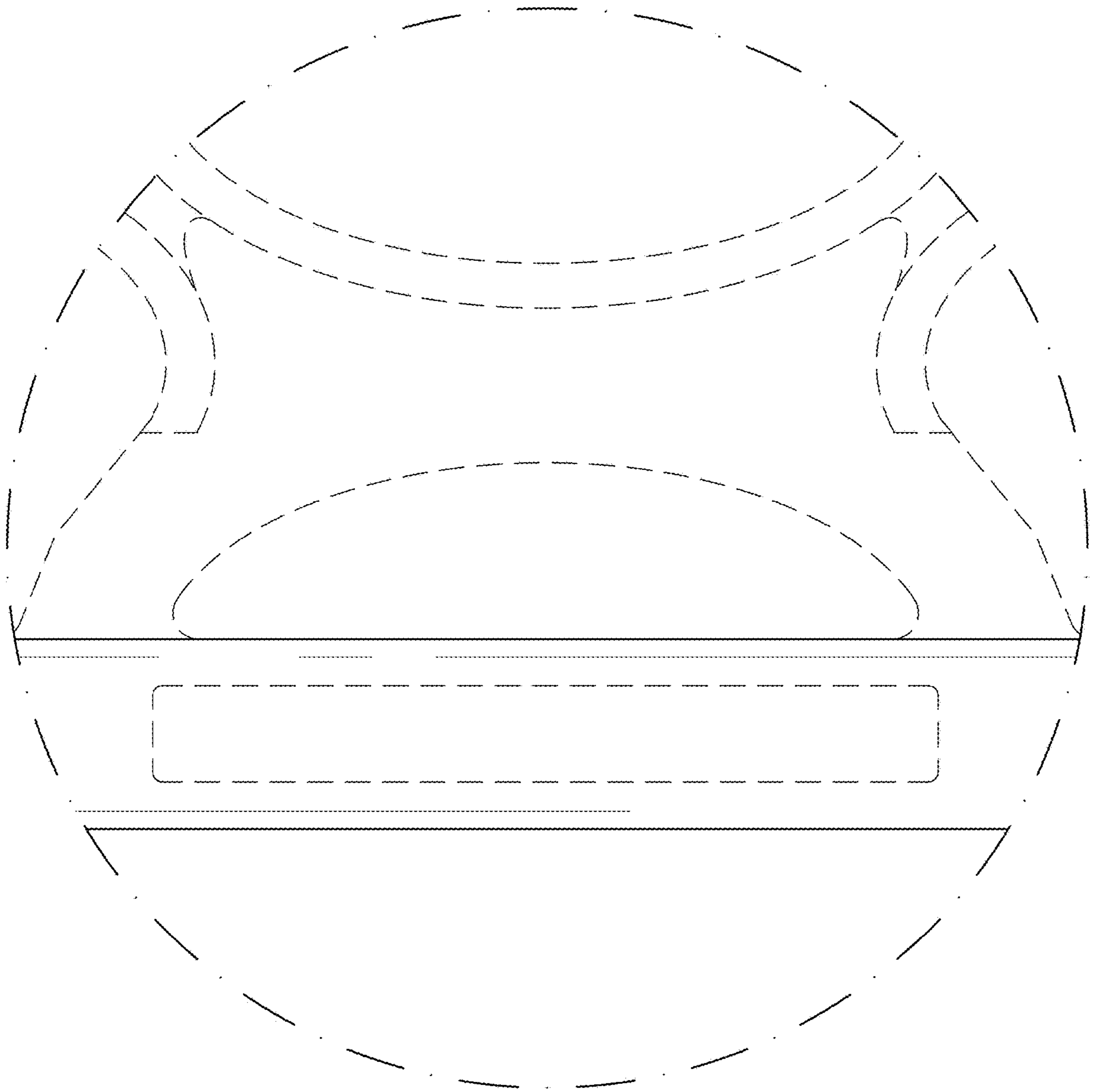


FIG. 17

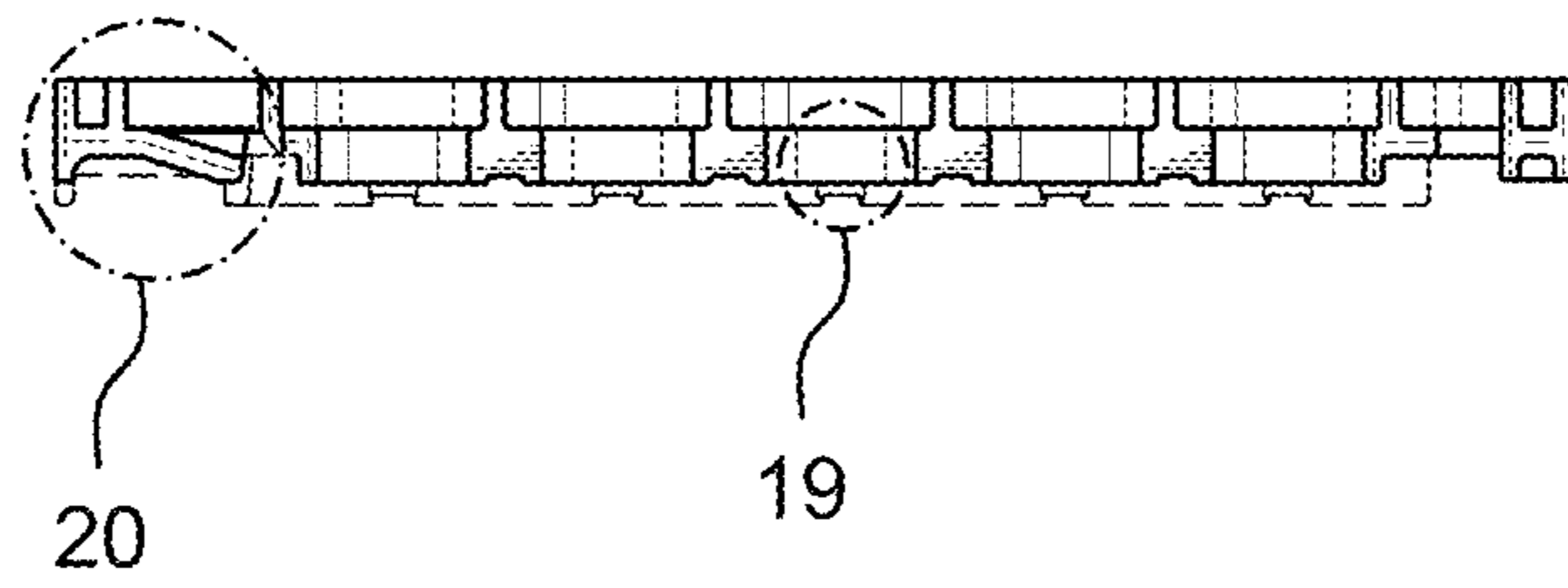


FIG. 18

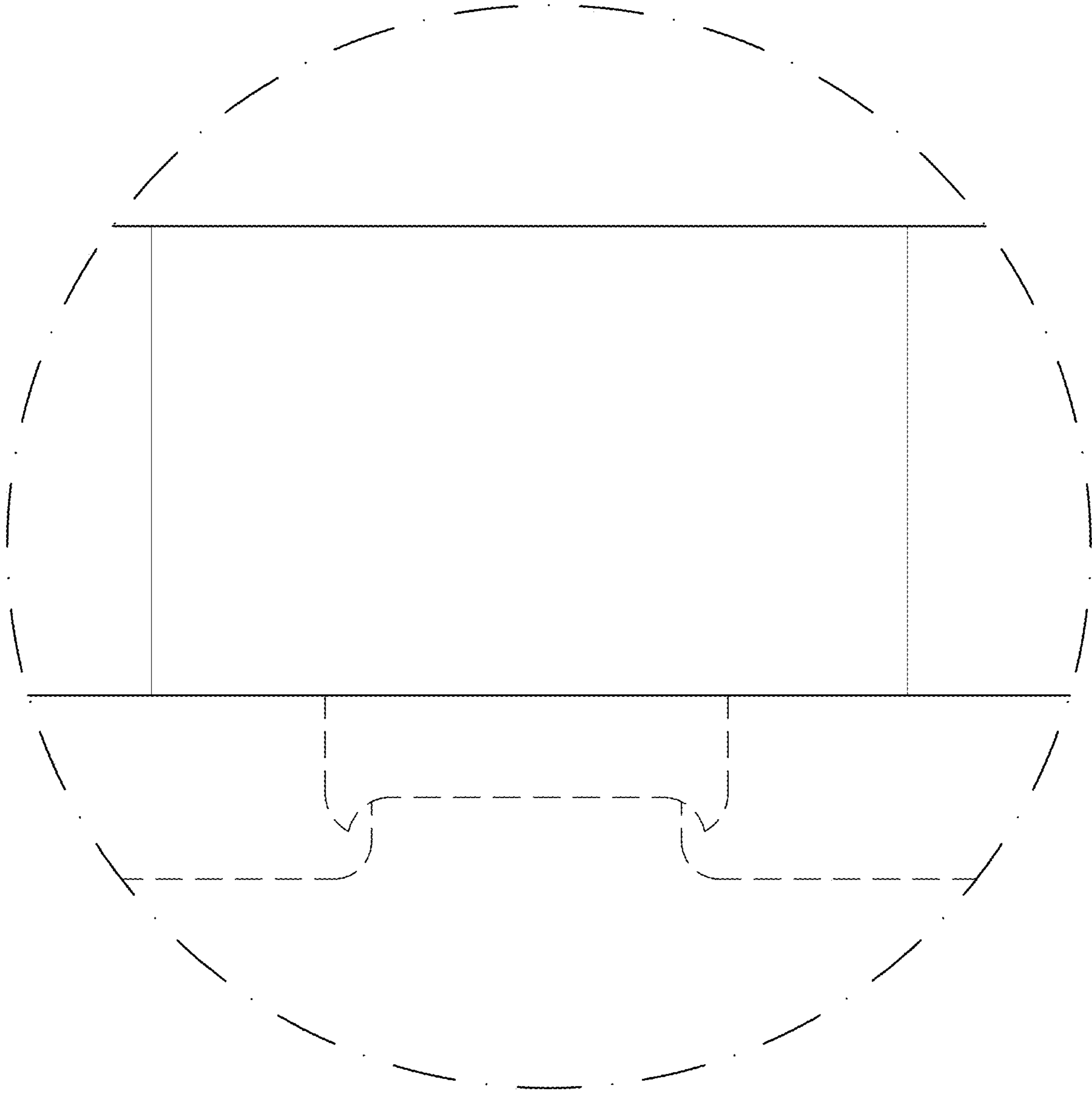


FIG. 19

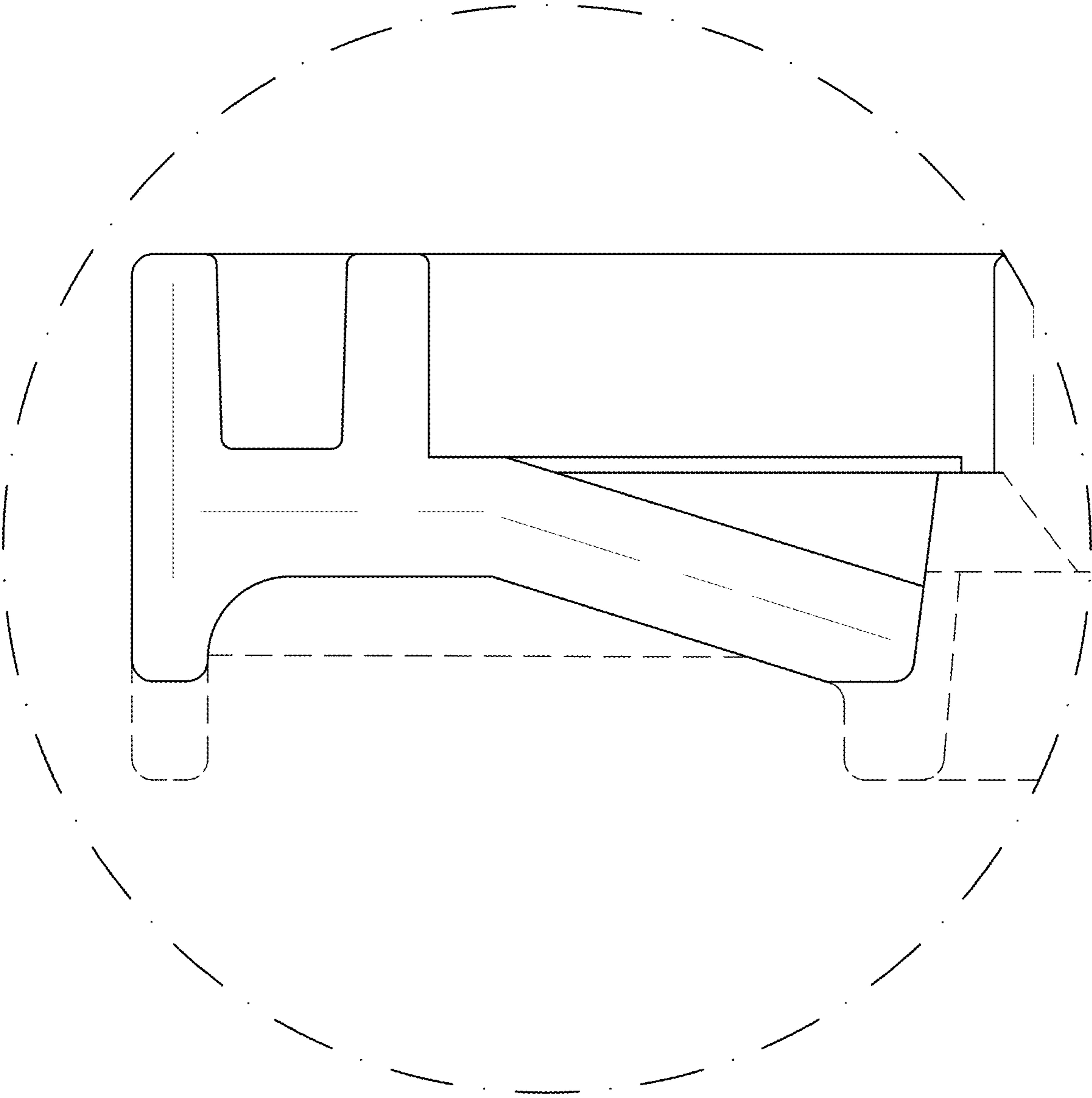


FIG. 20

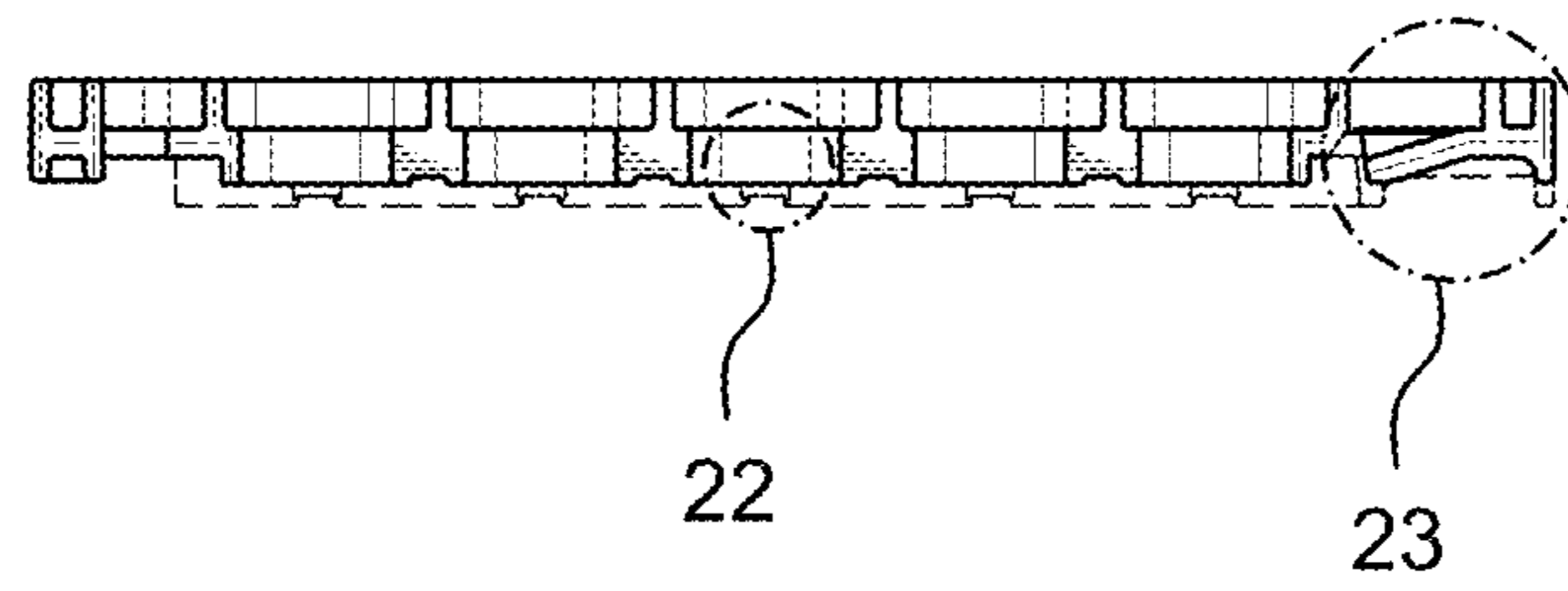


FIG. 21

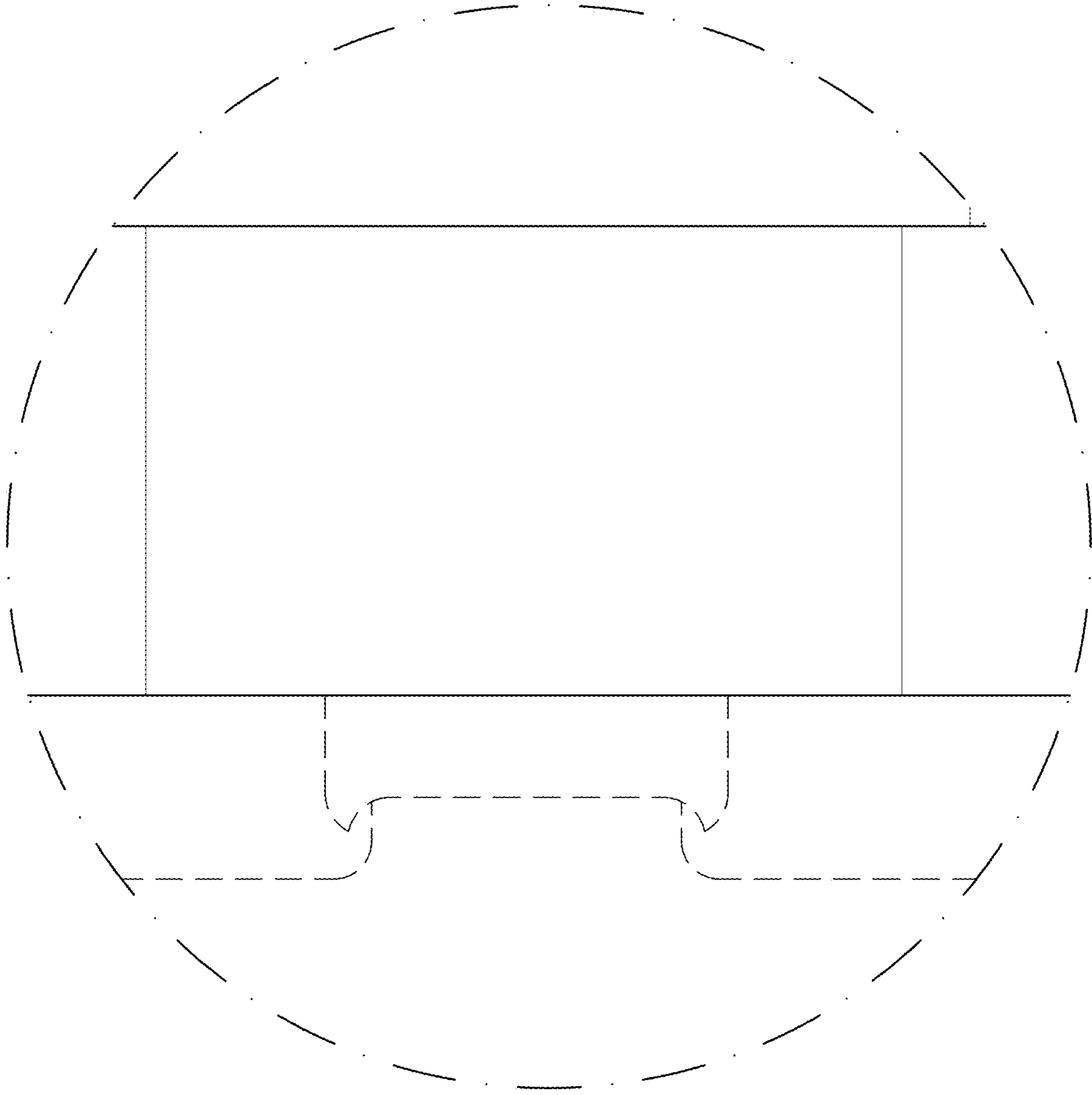


FIG. 22

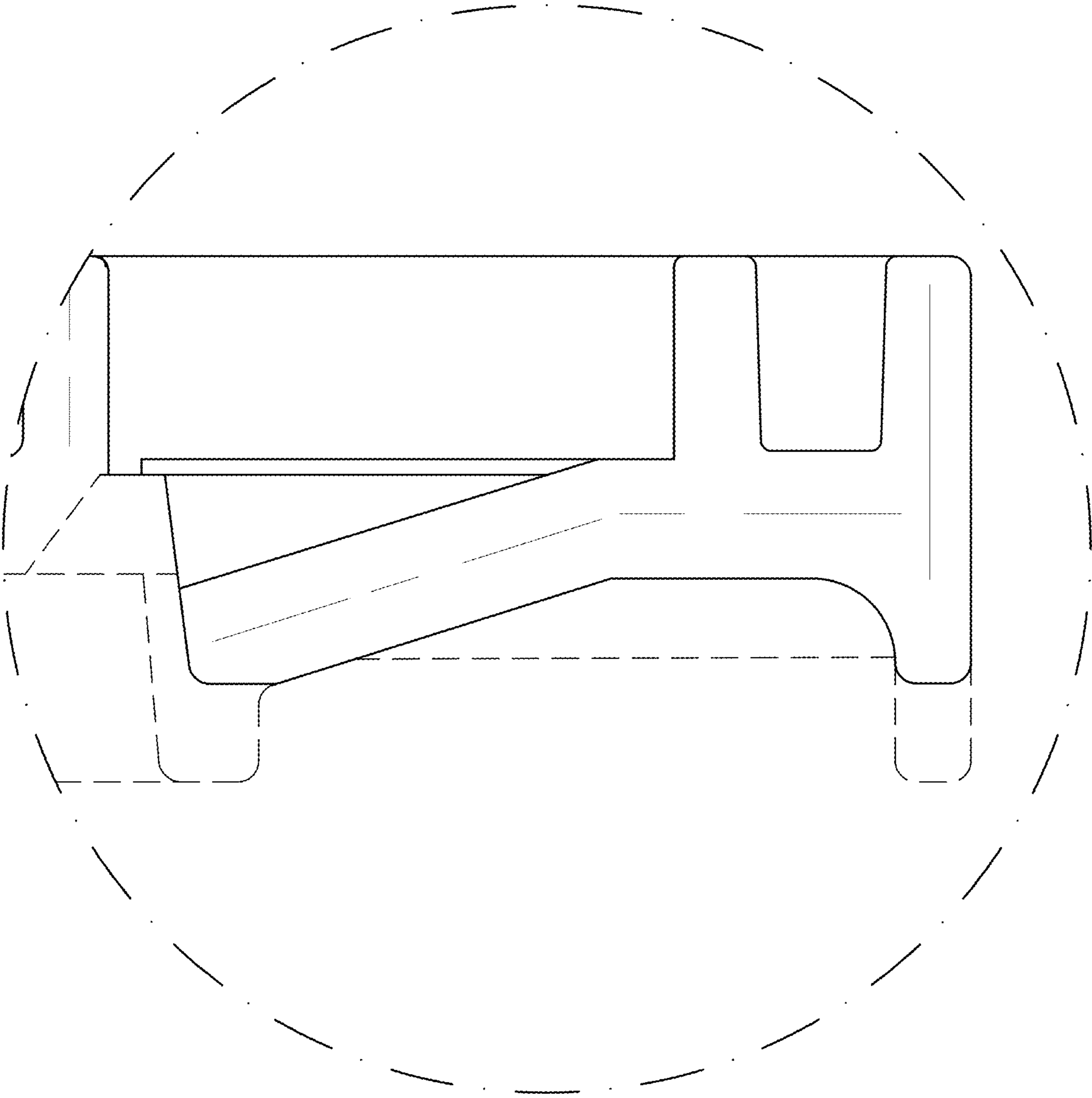


FIG. 23



FIG. 24

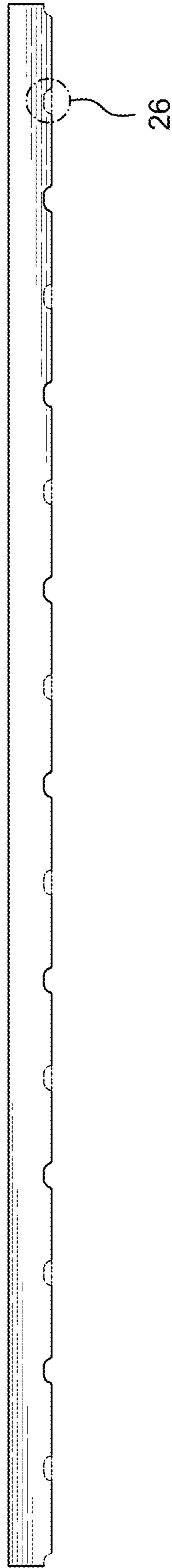


FIG. 25

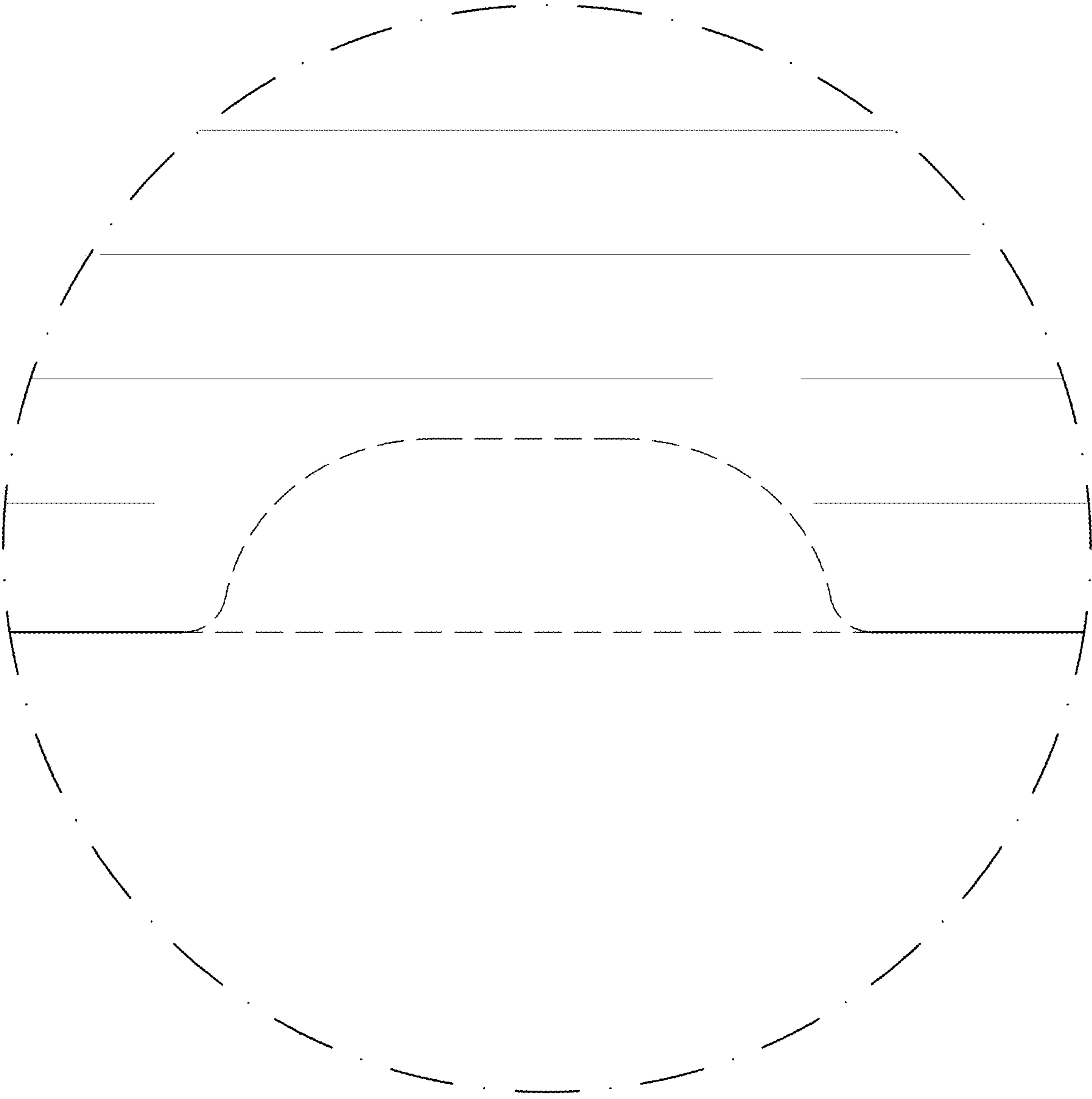


FIG. 26

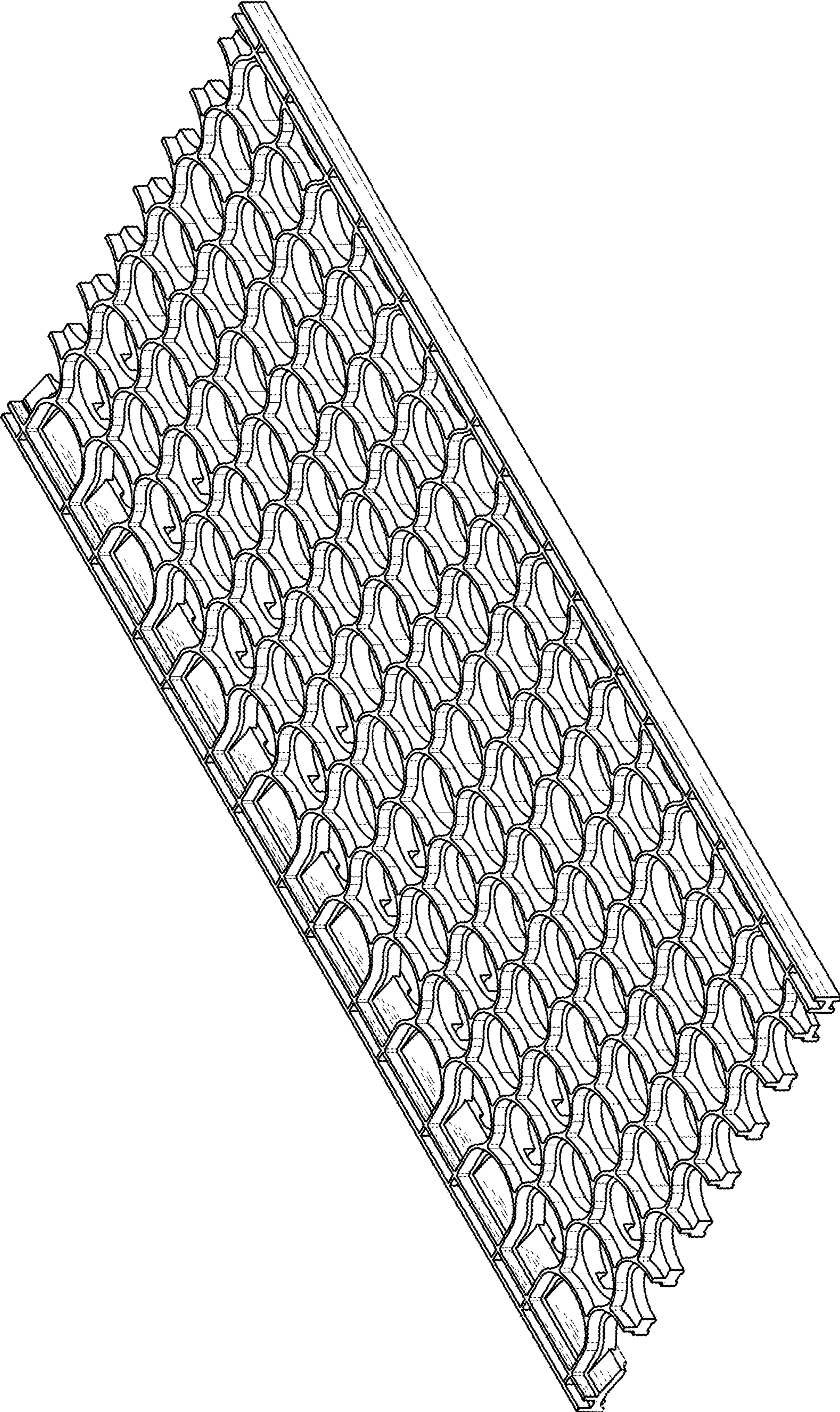


FIG. 27

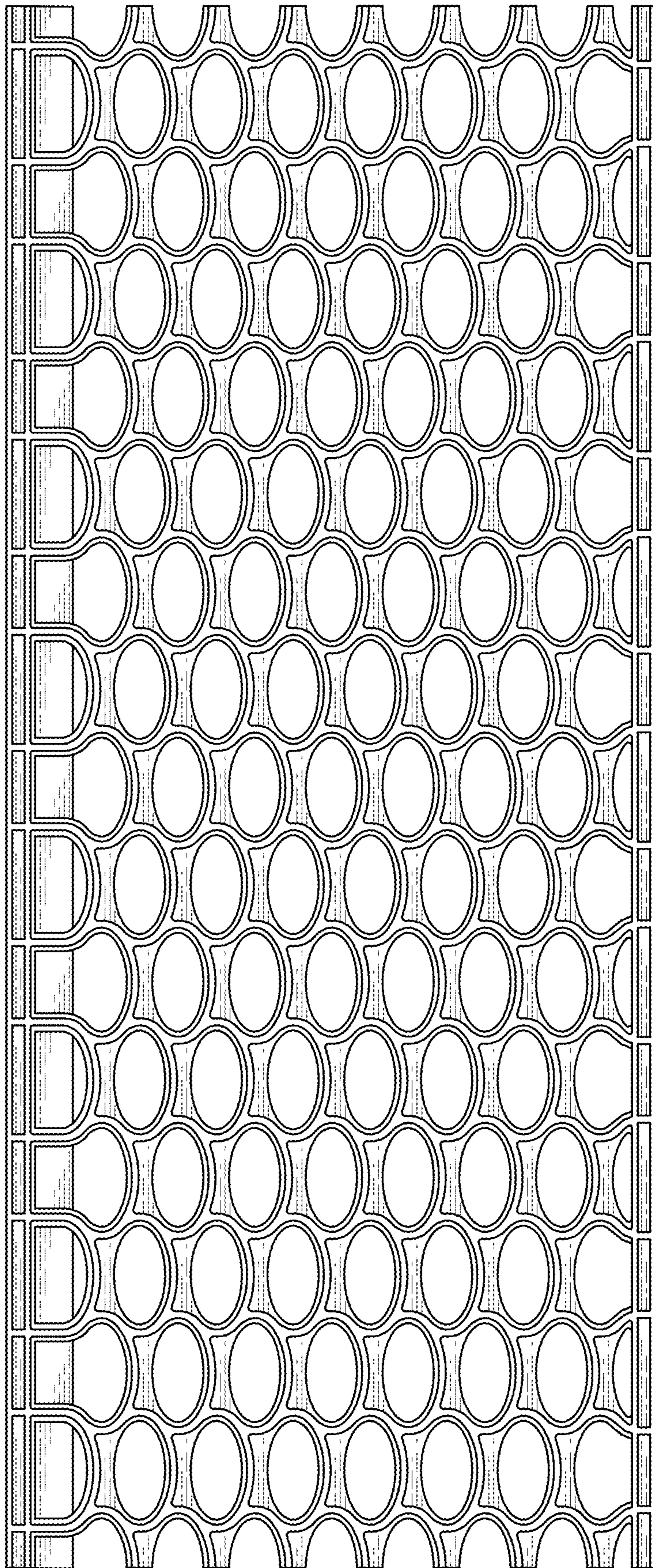


FIG. 28

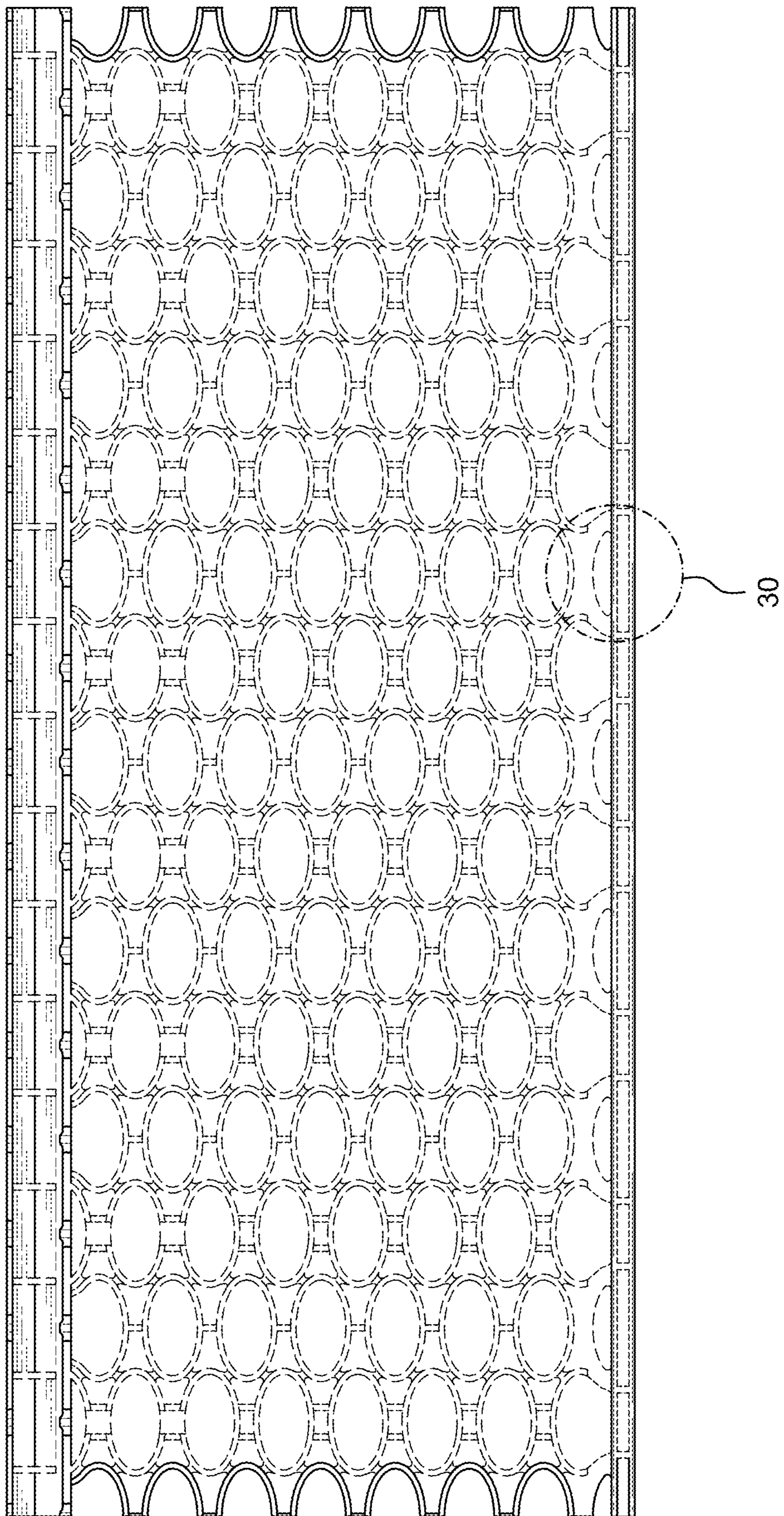


FIG. 29

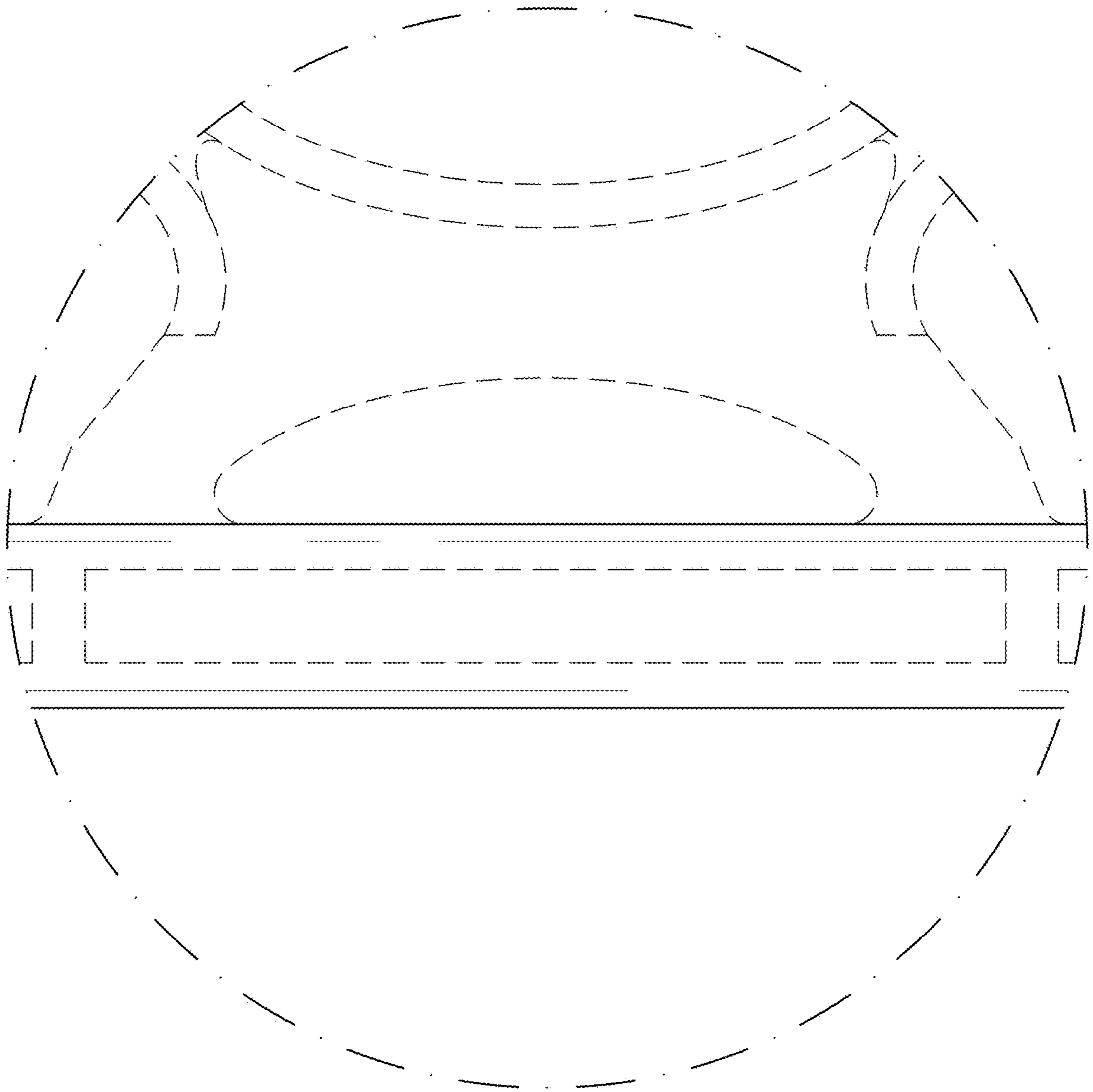


FIG. 30

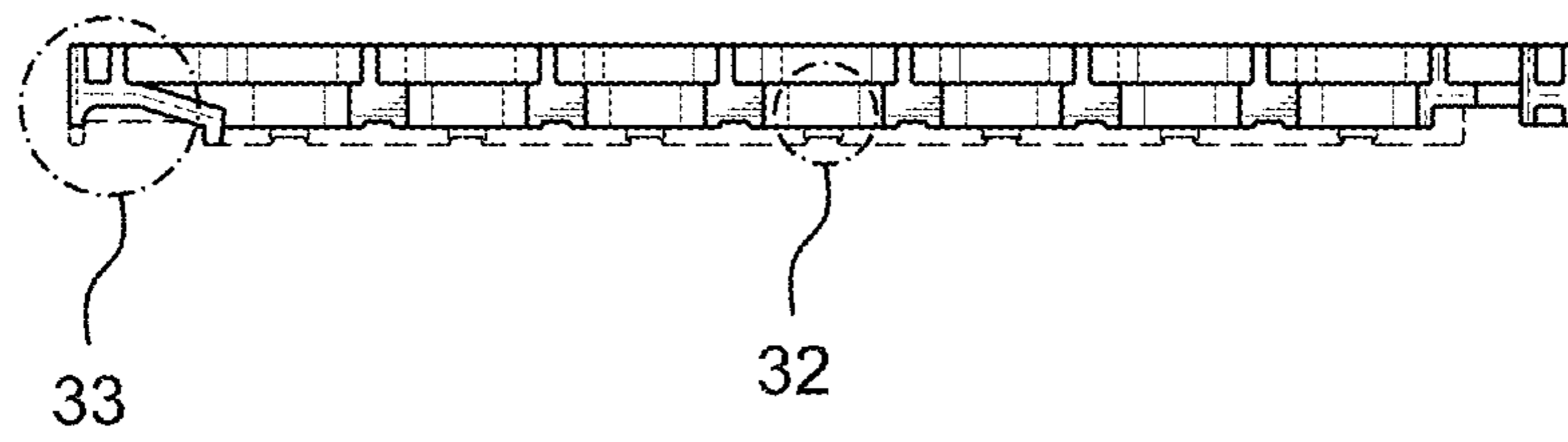


FIG. 31

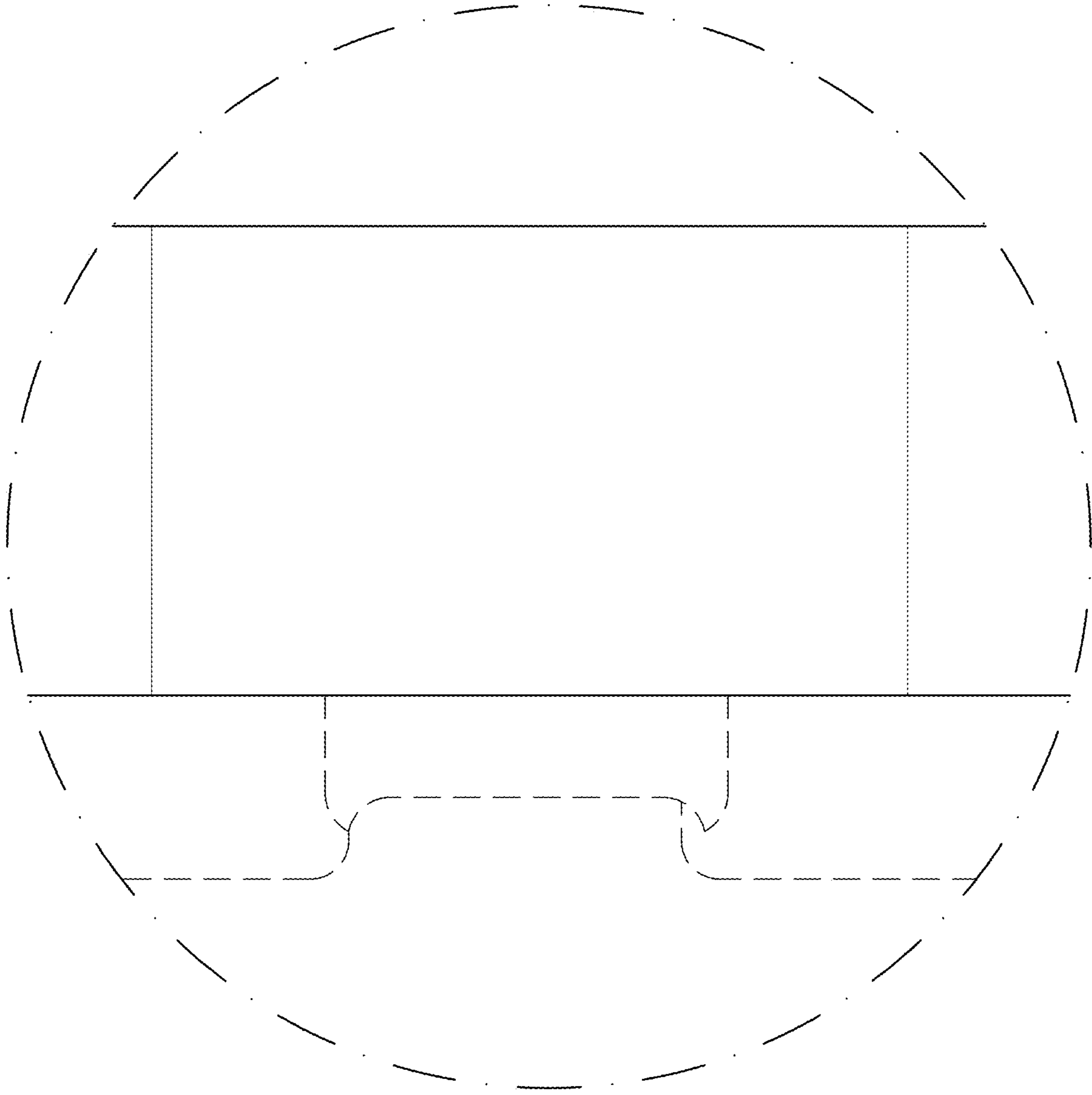


FIG. 32

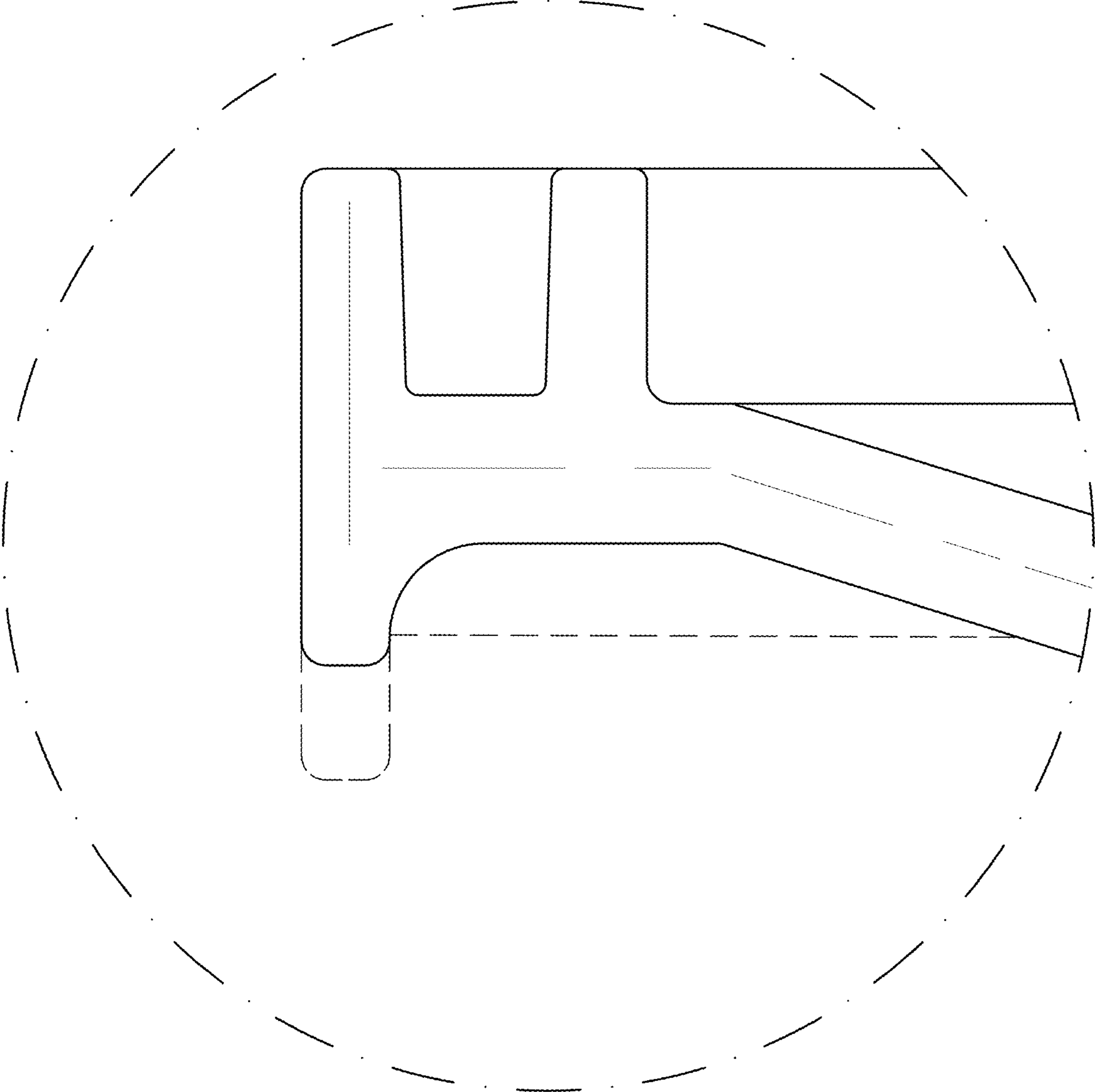


FIG. 33

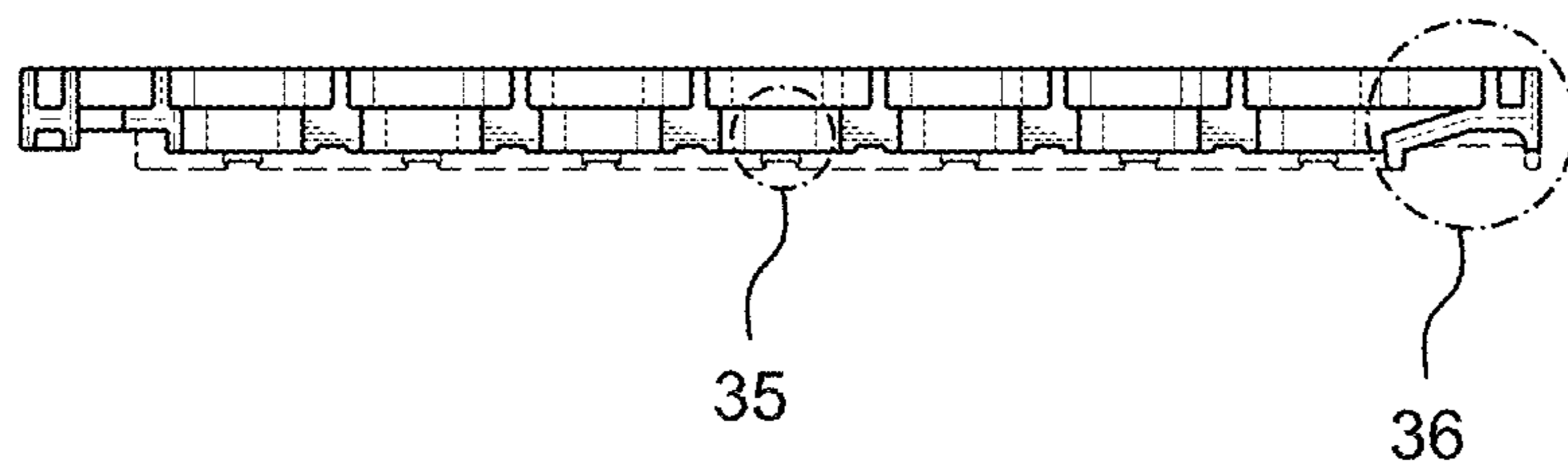


FIG. 34

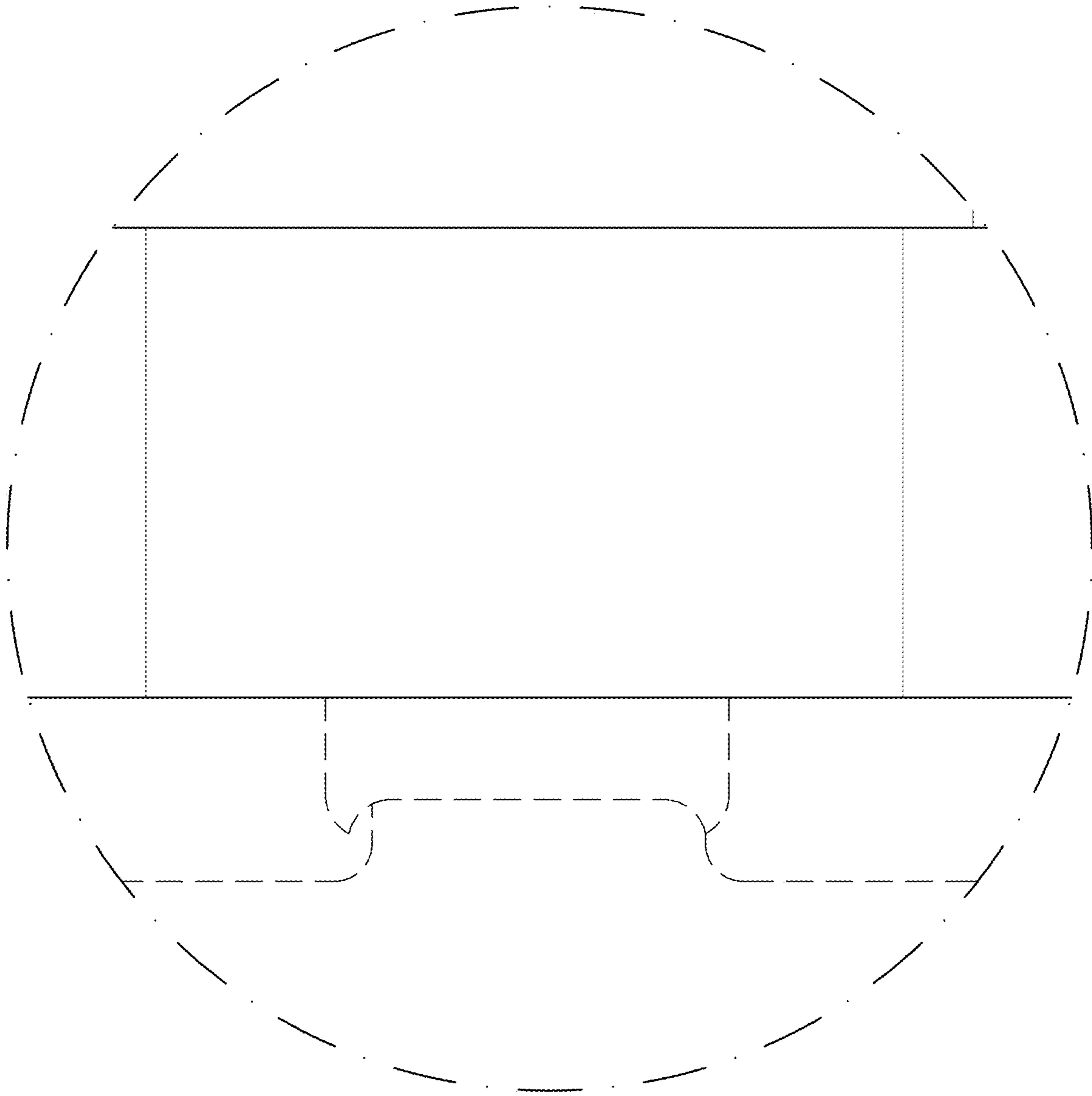


FIG. 35

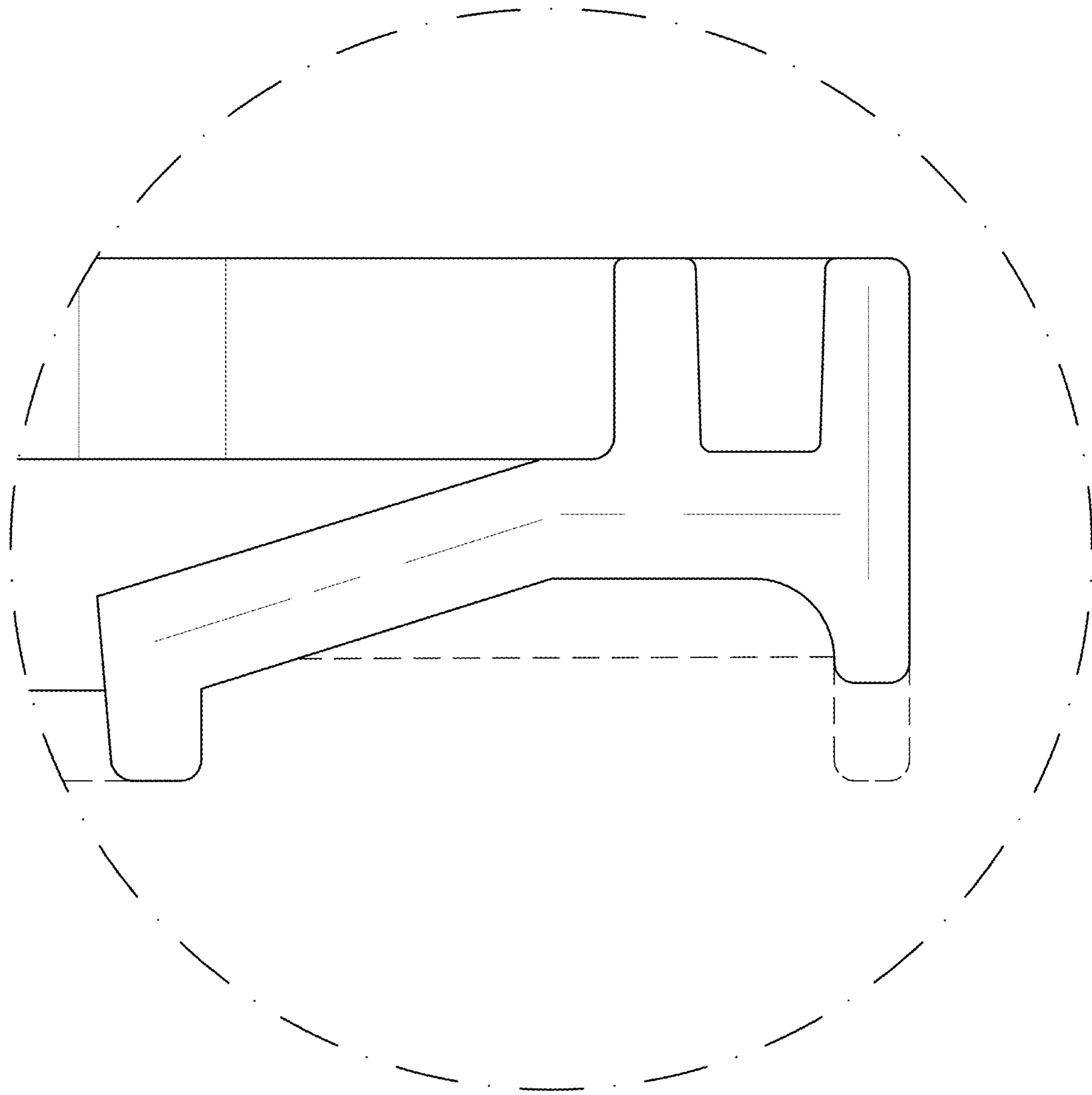


FIG. 36

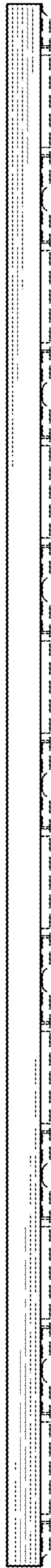


FIG. 37

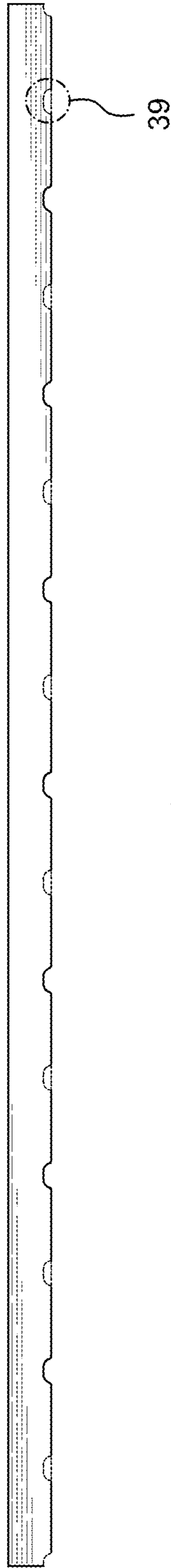


FIG. 38

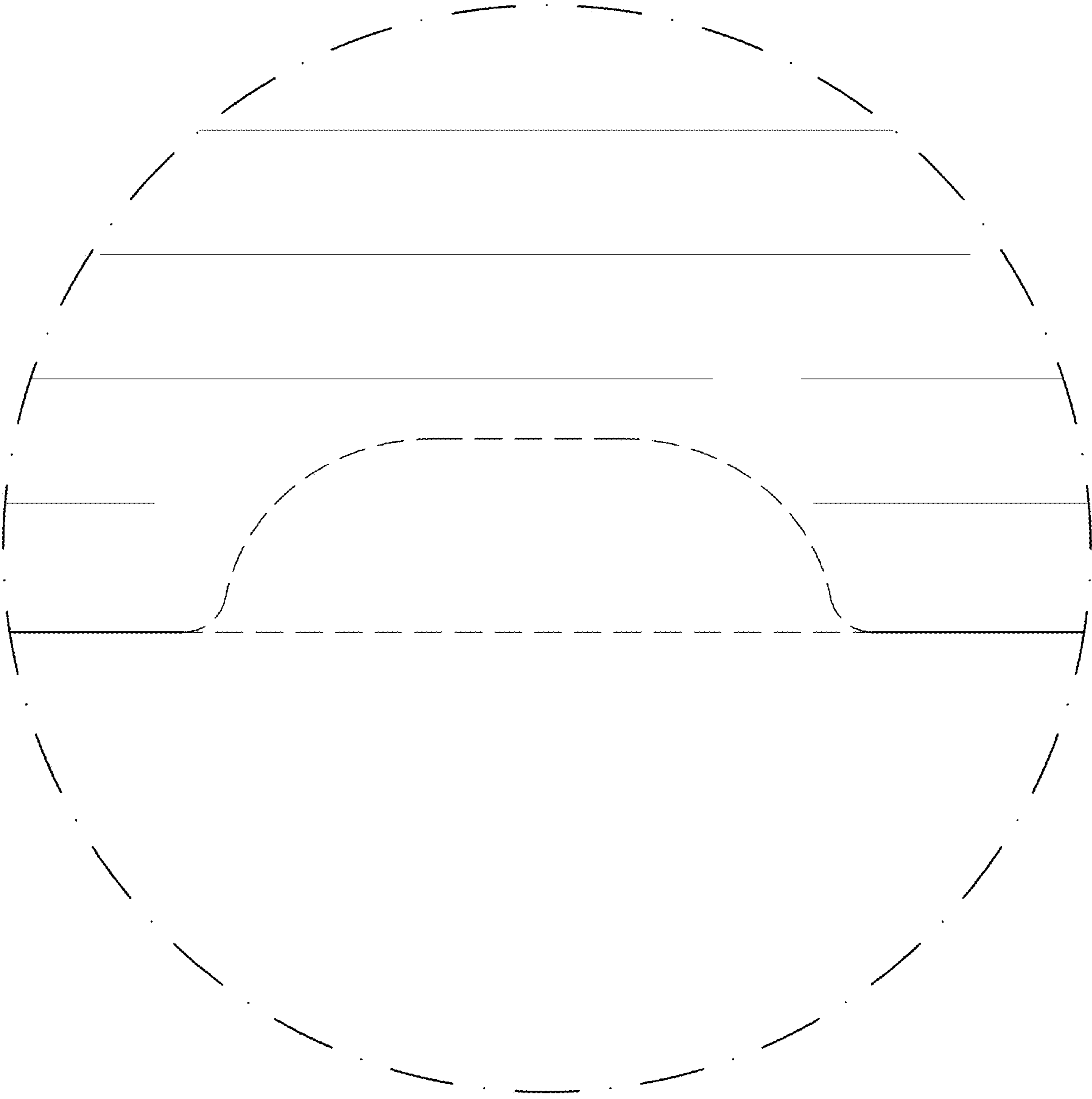


FIG. 39