



US00D885529S

(12) **United States Design Patent**
Gori et al.

(10) **Patent No.:** **US D885,529 S**

(45) **Date of Patent:** **** May 26, 2020**

(54) **GUTTER GUARD ASSEMBLY**

- (71) Applicant: **LEAFFILTER NORTH, LLC**,
Hudson, OH (US)
- (72) Inventors: **Michael Gori**, Norton, OH (US);
Michael J. Peck, Fairlawn, OH (US)
- (73) Assignee: **LeafFilter North, LLC**, Hudson, OH
(US)
- (**) Term: **15 Years**

- (21) Appl. No.: **29/647,679**
- (22) Filed: **May 15, 2018**
- (51) **LOC (12) Cl.** **23-01**
- (52) **U.S. Cl.**
USPC **D23/267**
- (58) **Field of Classification Search**
USPC D23/259, 260, 267, 209, 365; D25/119,
D25/121-124, 133, 139, 141-142;
52/11-16

(Continued)

(56) **References Cited**

U.S. PATENT DOCUMENTS

- 1,349,264 A * 8/1920 Busse E04D 13/076
210/474
- 4,646,488 A 3/1987 Burns
(Continued)

FOREIGN PATENT DOCUMENTS

- AU 2003244568 A1 4/2004
- DE 19904221 A1 8/2000
- (Continued)

OTHER PUBLICATIONS

How LeafFilter Gutter Protection Works, YouTube, Frame 0:38/
1:13, Published Mar. 2, 2018, [visited Online Feb. 17, 2019]
https://www.youtube.com/watch?v=c_PbwyiOXe0.*

(Continued)

Primary Examiner — Amy C Wierenga
(74) *Attorney, Agent, or Firm* — Benesch, Friedlander,
Coplan & Aronoff LLP

(57) **CLAIM**

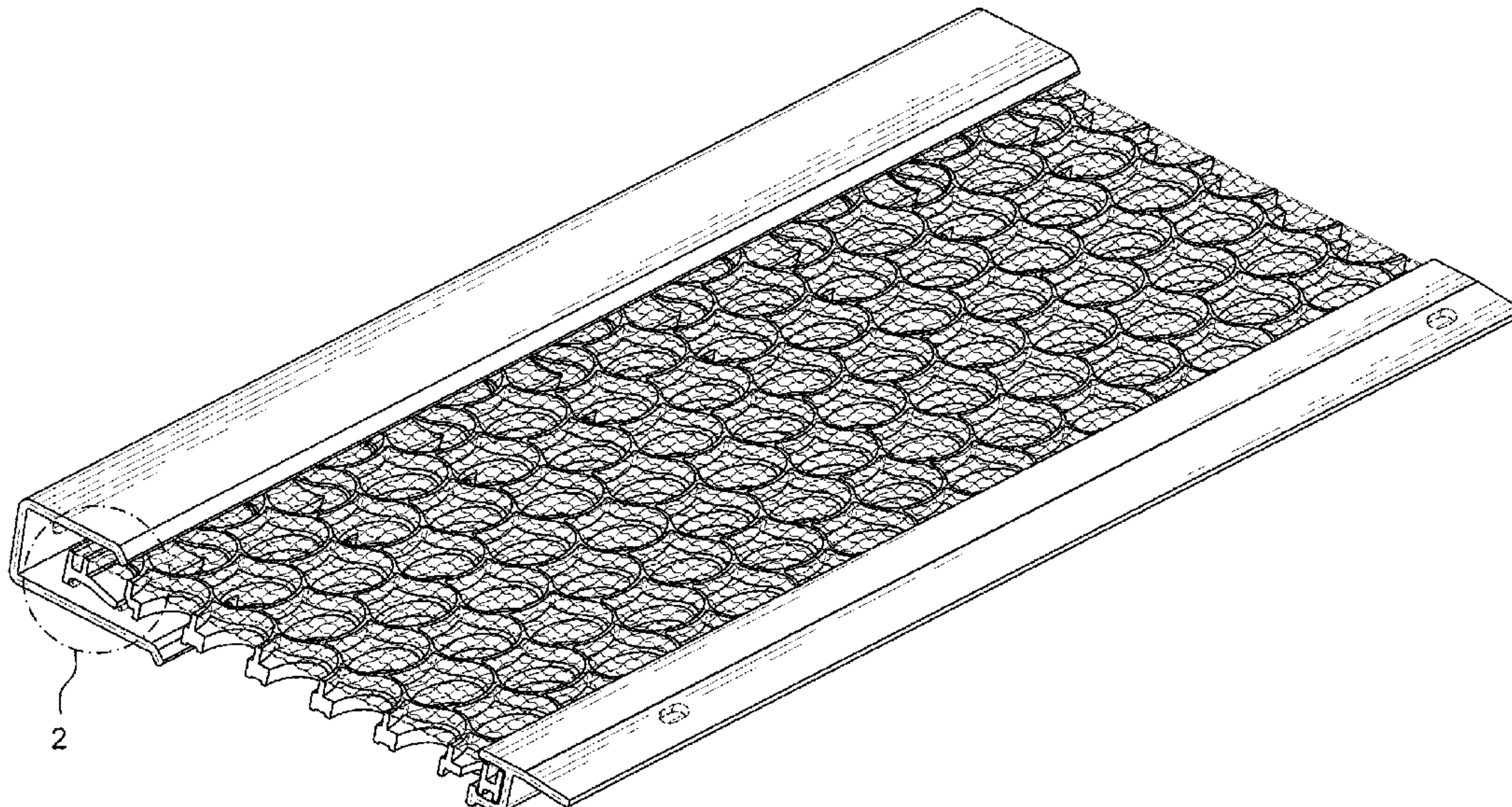
The ornamental design for a gutter guard assembly, as
shown and described.

DESCRIPTION

FIG. 1 is a perspective view of a gutter guard assembly;
FIG. 2 is an enlarged detail view of area 2 taken from FIG.
1;
FIG. 3 is a top plan view of the gutter guard assembly of
FIG. 1;
FIG. 4 is a bottom plan view of the gutter guard assembly
of FIG. 1;
FIG. 5 is a left-side elevation view of the gutter guard
assembly of FIG. 1;
FIG. 6 is an enlarged detailed view of area 6 taken from FIG.
5, which is representative of the series of equivalent features
illustrated in FIG. 5;
FIG. 7 is a right-side elevation view of the gutter guard
assembly of FIG. 1;
FIG. 8 is an enlarged detailed view of area 8 taken from FIG.
7, which is representative of the series of equivalent features
illustrated in FIG. 7;
FIG. 9 is a front elevation view of the gutter guard assembly
of FIG. 1; and,
FIG. 10 is a rear elevation view of the gutter guard assembly
of FIG. 1.

The broken lines shown in the drawings illustrate portions of
the gutter guard assembly that form no part of the claim. The
dot-dash-dot broken lines indicate cutoff boundaries for
enlarged detailed views that form no part of the claim.

1 Claim, 9 Drawing Sheets



(58) **Field of Classification Search**

CPC ... E04D 13/076; E04D 13/072; E04D 13/064;
E04D 13/068; E04D 13/158; E04D
13/0641; E04D 13/0459; E04D 13/0477;
E04D 13/0481; E04D 13/15

See application file for complete search history.

(56) **References Cited**

U.S. PATENT DOCUMENTS

4,757,649	A	7/1988	Vahldieck	
4,758,292	A	7/1988	Baker	
4,941,299	A	7/1990	Sweers	
4,959,932	A *	10/1990	Pfeifer	E04D 13/076 52/12
5,555,680	A	9/1996	Sweers	
5,592,783	A	1/1997	Jones	
5,640,809	A	6/1997	Iannelli	
6,073,398	A	6/2000	Williams	
6,314,685	B1	11/2001	Sullivan	
6,427,388	B1	8/2002	Brochu	
6,463,700	B2	10/2002	Davis	
6,598,352	B2	7/2003	Higginbotham	
6,732,477	B1	5/2004	Richard	
6,883,760	B2	4/2005	Seise, Jr.	
6,951,077	B1	10/2005	Higginbotham	
D523,110	S *	6/2006	Anderson	D23/209
7,104,012	B1	9/2006	Bayram	
7,310,912	B2	12/2007	Lenney et al.	
7,908,797	B2	3/2011	Graves	
7,950,187	B2	5/2011	Iannelli	
7,975,435	B2	7/2011	Lenney et al.	
8,001,729	B2	8/2011	Joly, Jr. et al.	
8,104,230	B2	1/2012	Gramling	
8,176,687	B2	5/2012	Roque Alonso	
8,276,321	B2	10/2012	Bell	
8,322,082	B2	12/2012	Neumann	
8,375,644	B2 *	2/2013	Robins	E04D 13/076 52/12
8,418,410	B2	4/2013	Martin	
D683,827	S *	6/2013	Ealer, Sr.	D23/267
8,578,658	B2	11/2013	Snell	
8,646,218	B1	2/2014	Iannelli	
8,695,282	B2	4/2014	Glander	
8,720,122	B1 *	5/2014	Feldhaus	E04D 13/076 52/12
8,925,253	B2	1/2015	Bullinger	
D722,682	S *	2/2015	Fox	D23/267
8,997,403	B1	4/2015	Steinberg et al.	

9,010,030	B2 *	4/2015	Davis	E04D 13/076 52/11
9,163,406	B1	10/2015	Ealer, Sr.	
9,212,490	B1	12/2015	Ealer, Sr.	
9,261,493	B2	2/2016	Tachibe et al.	
9,284,735	B2	3/2016	Bryer et al.	
9,404,266	B2	8/2016	Yildiz	
9,487,955	B2	11/2016	Breyer et al.	
9,683,371	B1	6/2017	Nitch	
9,890,535	B2	2/2018	Breyer et al.	
2006/0107603	A1	5/2006	Brownridge	
2006/0179723	A1	8/2006	Robins	
2006/0230687	A1	10/2006	Ealer, Sr.	
2006/0265968	A1	11/2006	Lowrie, III	
2007/0074466	A1	4/2007	Rasmussen	
2008/0134587	A1	6/2008	Ealer	
2011/0067318	A1 *	3/2011	Lenney	E04D 13/076 52/12
2011/0107683	A1	5/2011	Ringuette	
2011/0138696	A1	6/2011	Olson et al.	
2012/0110923	A1 *	5/2012	Robins	E04D 13/076 52/12
2012/0132759	A1	5/2012	Sager	
2012/0144759	A1	6/2012	Higginbotham et al.	
2013/0097943	A1	4/2013	Higginbotham	
2015/0259924	A1	9/2015	Van Biber	
2016/0201329	A1	7/2016	Ianelli	
2017/0009456	A1	1/2017	Lenney	
2017/0204612	A1	7/2017	Lenney	
2018/0274239	A1 *	9/2018	Cullen	E04D 13/076

FOREIGN PATENT DOCUMENTS

DE	10136161	A1	2/2003
WO	1997/20118		6/1997
WO	1999/53157		10/1999
WO	2000/20704		4/2000

OTHER PUBLICATIONS

Amerimax, 3 ft. Snap-In White Gutter Guard, Home Depot, http://www.homedepot.com/p/Amerimax-Home-Products-3-ft-Snap-In-White-Gutter-Guard-85270/100009044?cm_mmc=Shopping%7cTHD%7cG%7c0%7cG-BASE-PLA-D22-Roofing%7c&gclid=EAAlQobChMInKawytel1QIVw7rACh3SKQ4jEAQYASABEglsw-vD_BwE&gclsrc=aw.ds.
Leaf Guard, 6 ft. White Vinyl Leaf Guard Plus, Home Depot, <http://www.homedepot.com/p/Amerimax-Home-Products-6-ft-White-Vinyl-Leaf-Guard-Plus-TA010/100058103>.

* cited by examiner

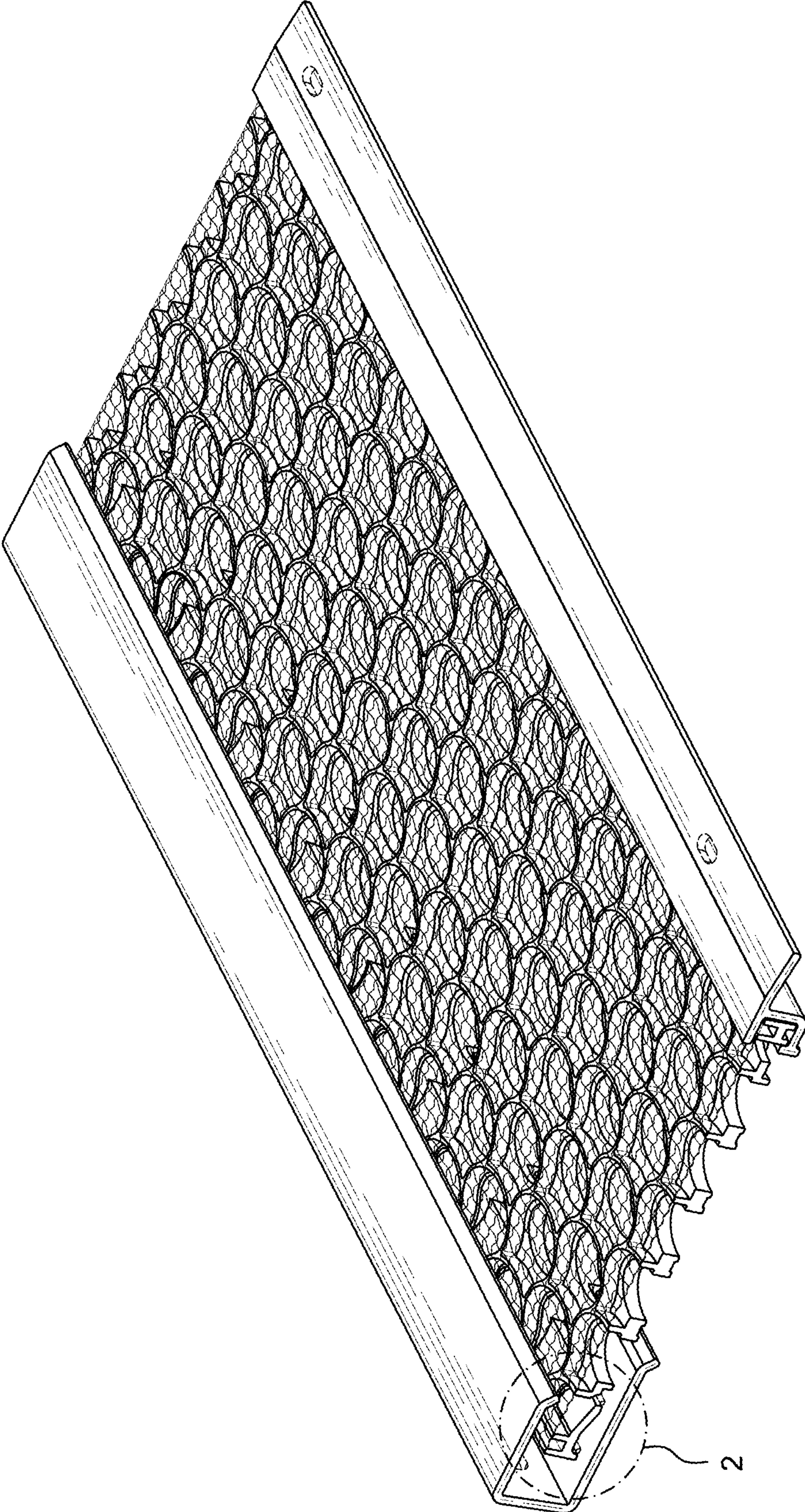


FIG. 1

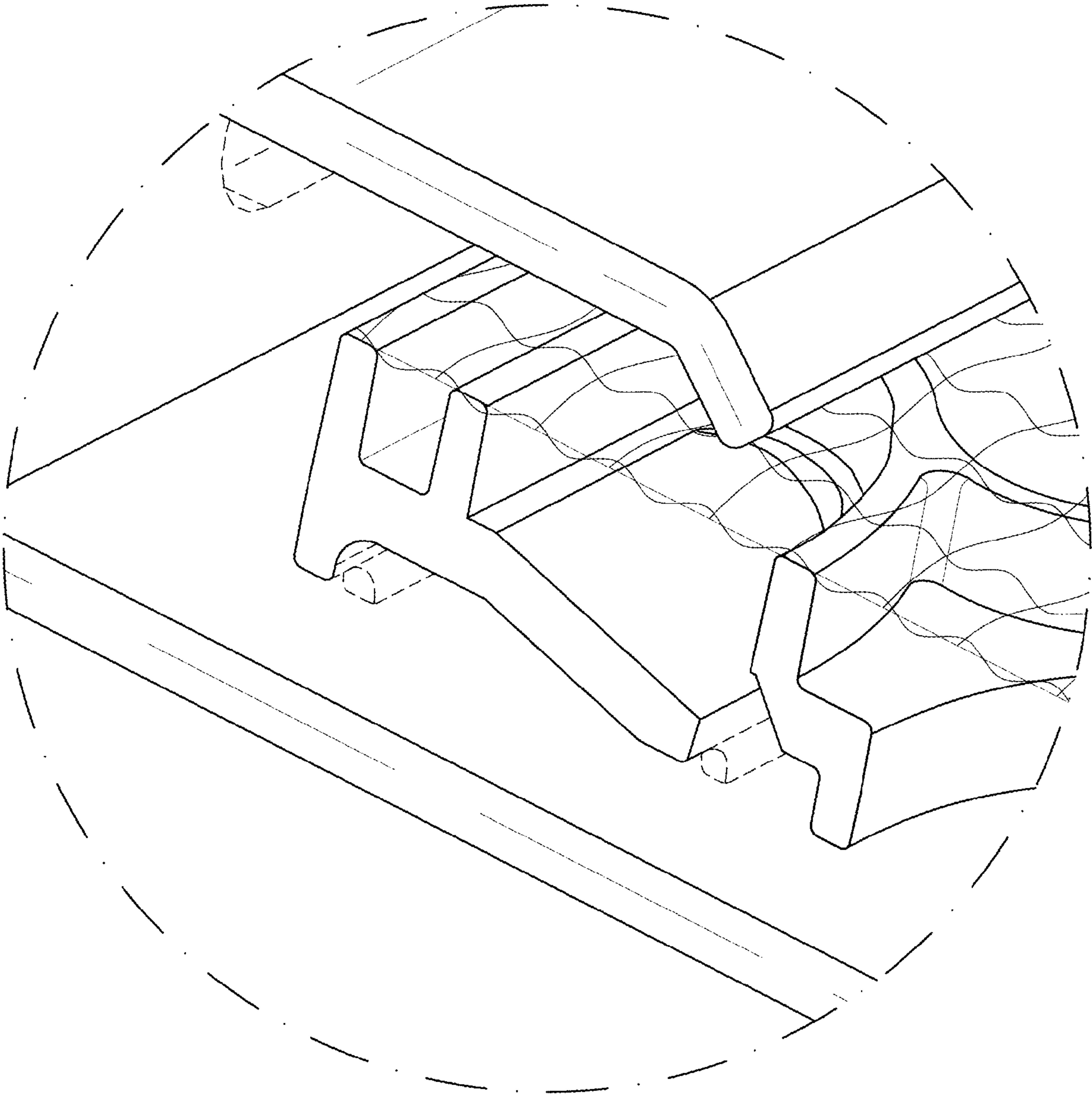


FIG. 2

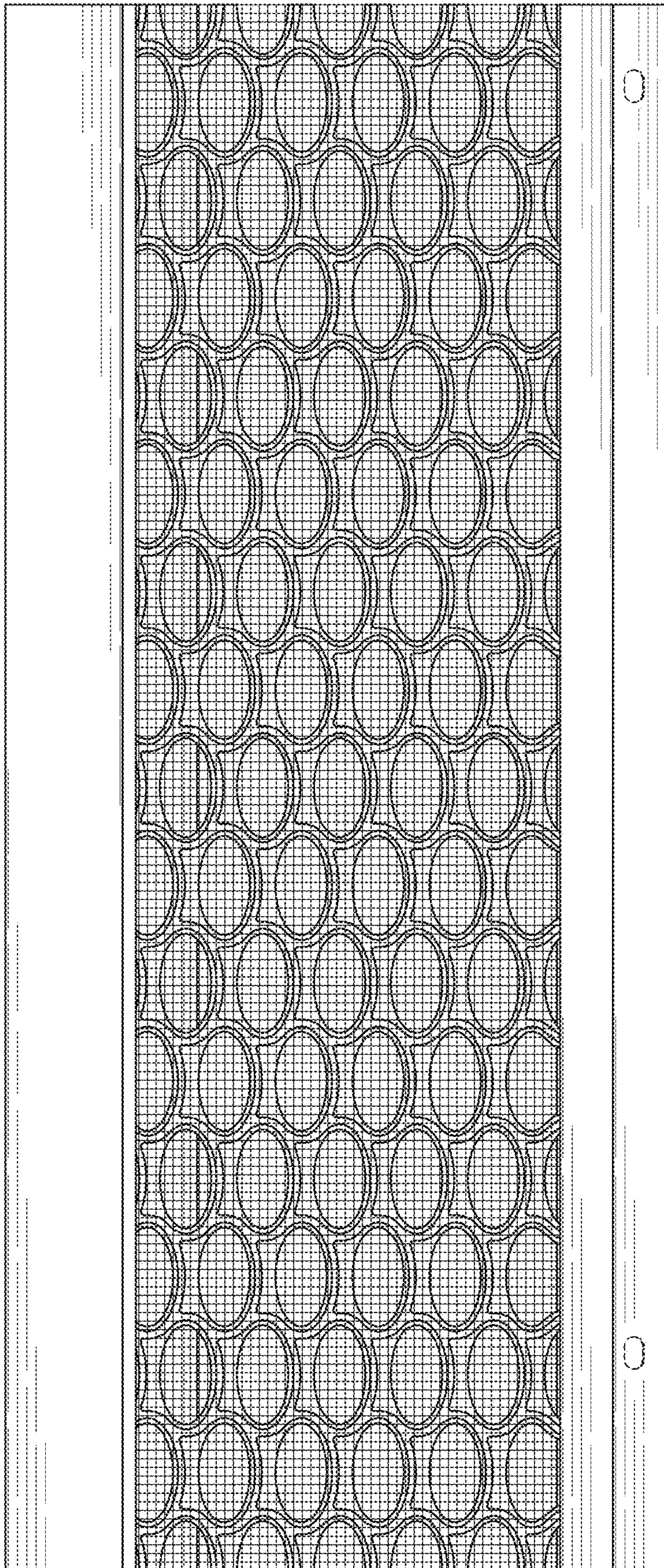


FIG. 3

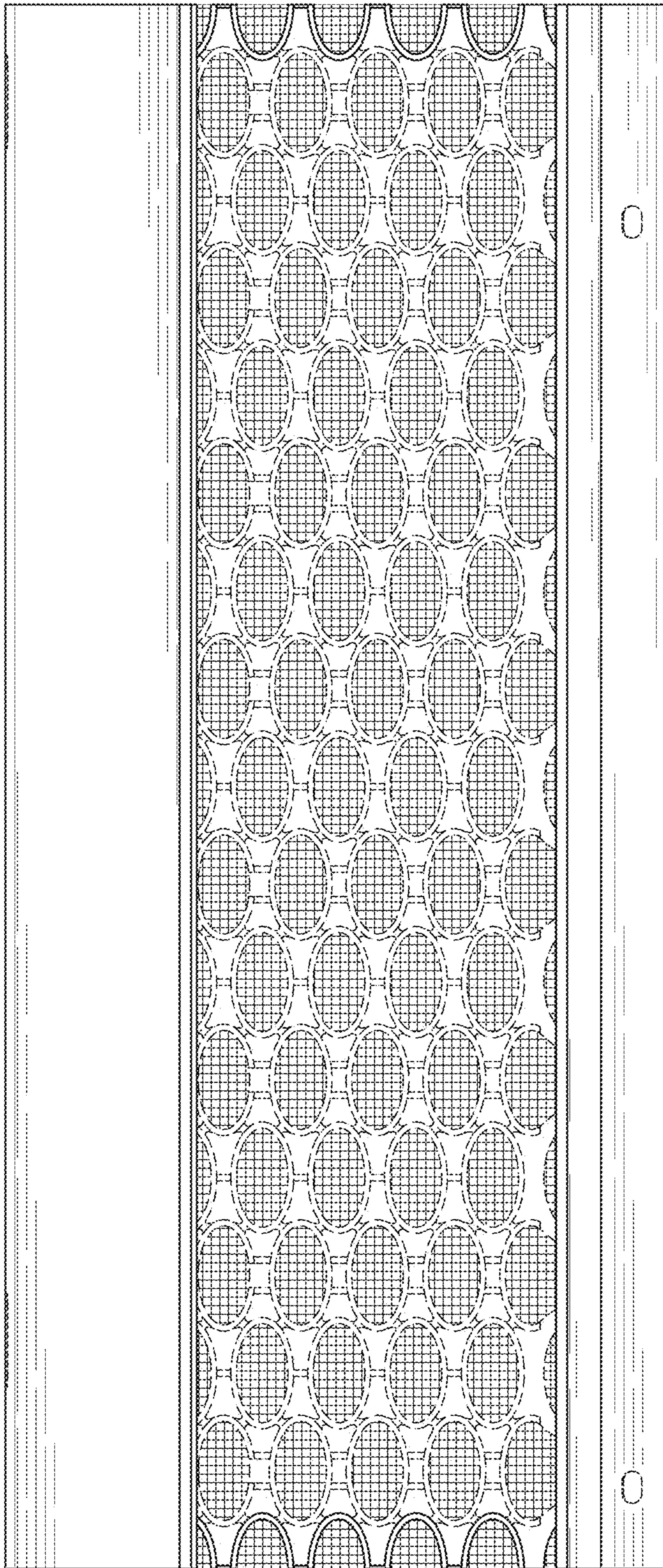


FIG. 4

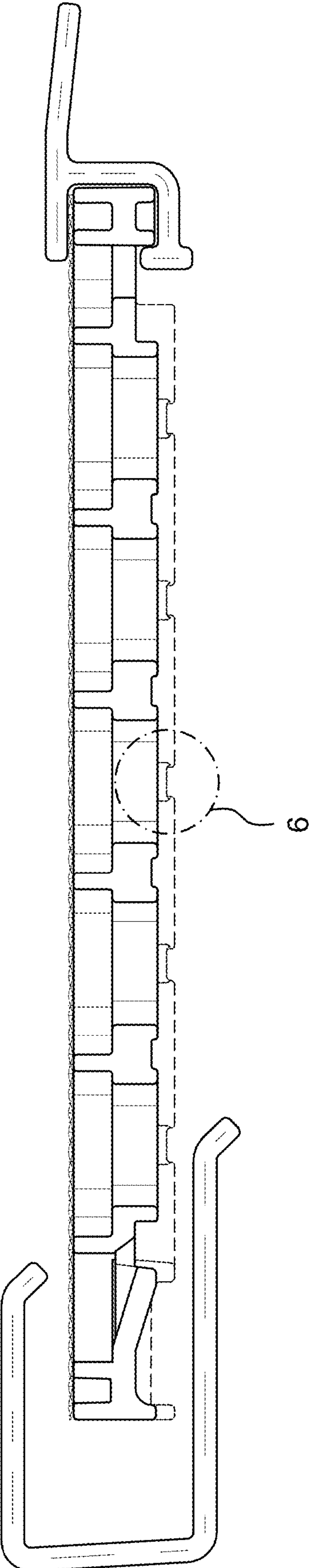


FIG. 5

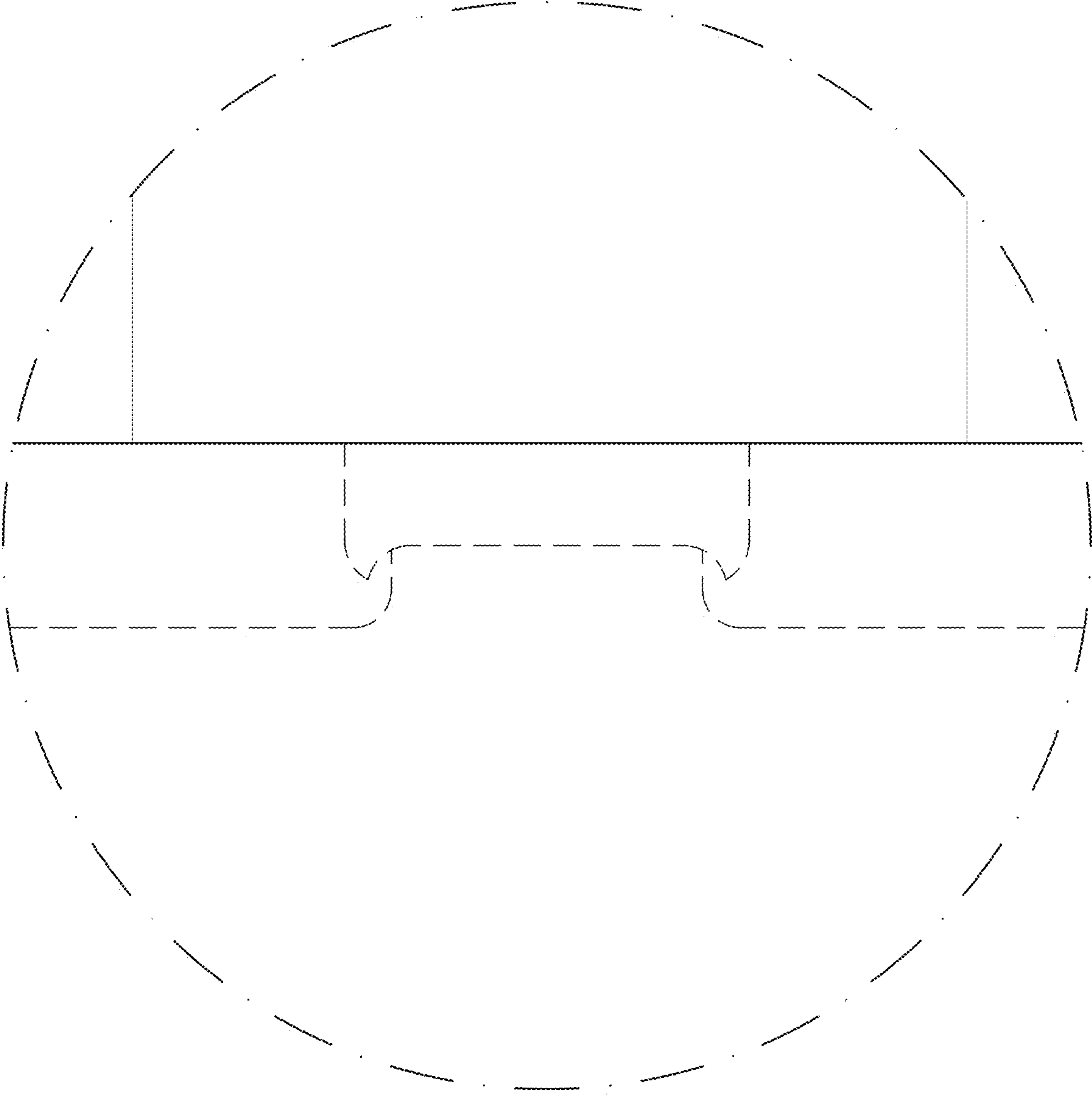


FIG. 6

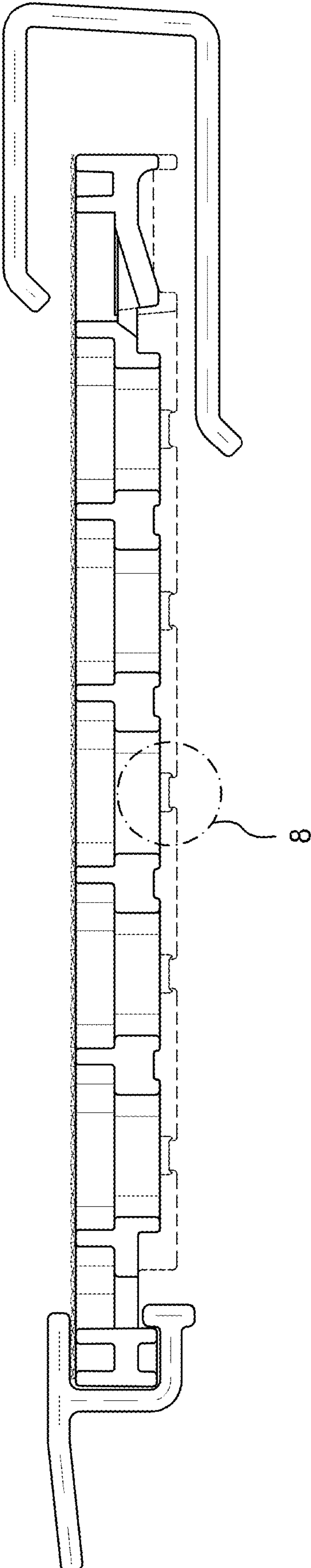


FIG. 7

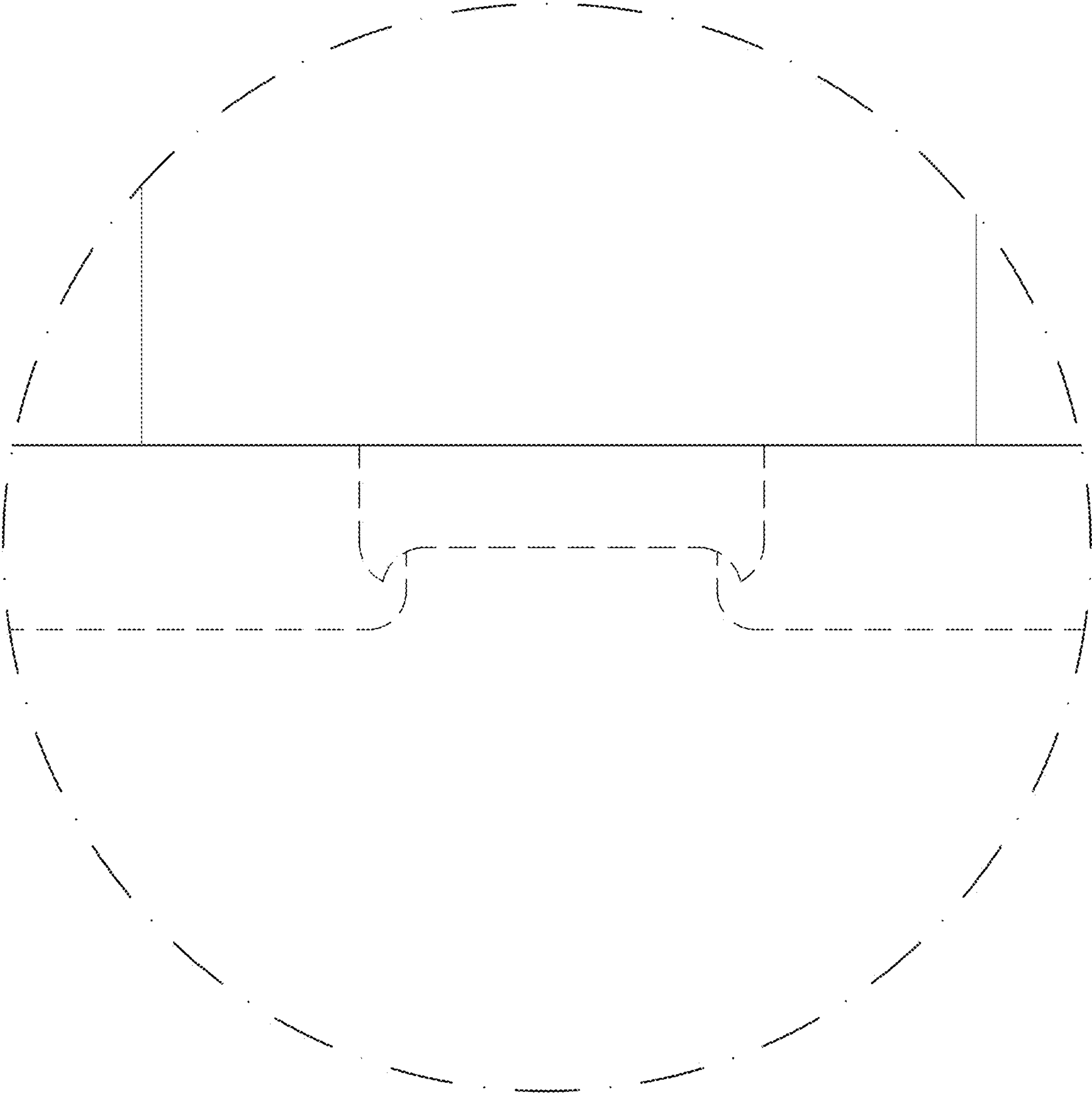


FIG. 8

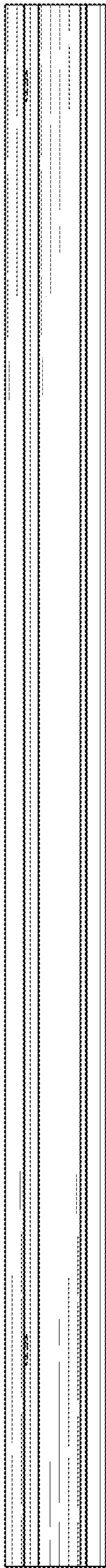


FIG. 9

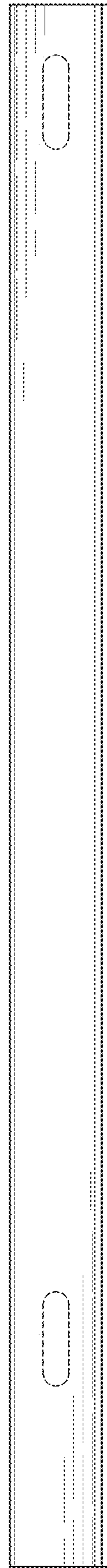


FIG. 10