



US00D885526S

(12) **United States Design Patent**
Hsu

(10) **Patent No.:** **US D885,526 S**
(45) **Date of Patent:** **** May 26, 2020**

(54) **FAUCET**

(71) Applicant: **HOKWANG INDUSTRIES CO., LTD.**, New Taipei (TW)

(72) Inventor: **Chin-Chan Hsu**, New Taipei (TW)

(73) Assignee: **Hokwang Industries Co., Ltd.**, New Taipei (TW)

(**) Term: **15 Years**

(21) Appl. No.: **29/683,765**

(22) Filed: **Mar. 15, 2019**

(51) **LOC (12) Cl.** **23-01**

(52) **U.S. Cl.**
USPC **D23/255**

(58) **Field of Classification Search**
USPC D23/238, 241–243, 249, 255, 257
CPC Y10T 137/9464; Y10T 137/6014; Y10T 137/6017

See application file for complete search history.

(56) **References Cited**

U.S. PATENT DOCUMENTS

D266,785 S *	11/1982	Thompson	D23/255
D300,942 S *	5/1989	Paul	D23/242
D441,060 S *	4/2001	Lefroy-Brooks	D23/238
D514,200 S *	1/2006	Starck	D23/238
D585,525 S *	1/2009	Ko	D23/242
D673,652 S *	1/2013	Thomas	D23/238

D813,989 S *	3/2018	Schoenherr	D23/238
2015/0033469 A1 *	2/2015	Ferrante	E03C 1/04 4/678
2018/0002905 A1 *	1/2018	Liu	E03C 1/0404

* cited by examiner

Primary Examiner — Robert A Delehanty

(74) *Attorney, Agent, or Firm* — Muncy, Geissler, Olds & Lowe, P.C.

(57) **CLAIM**

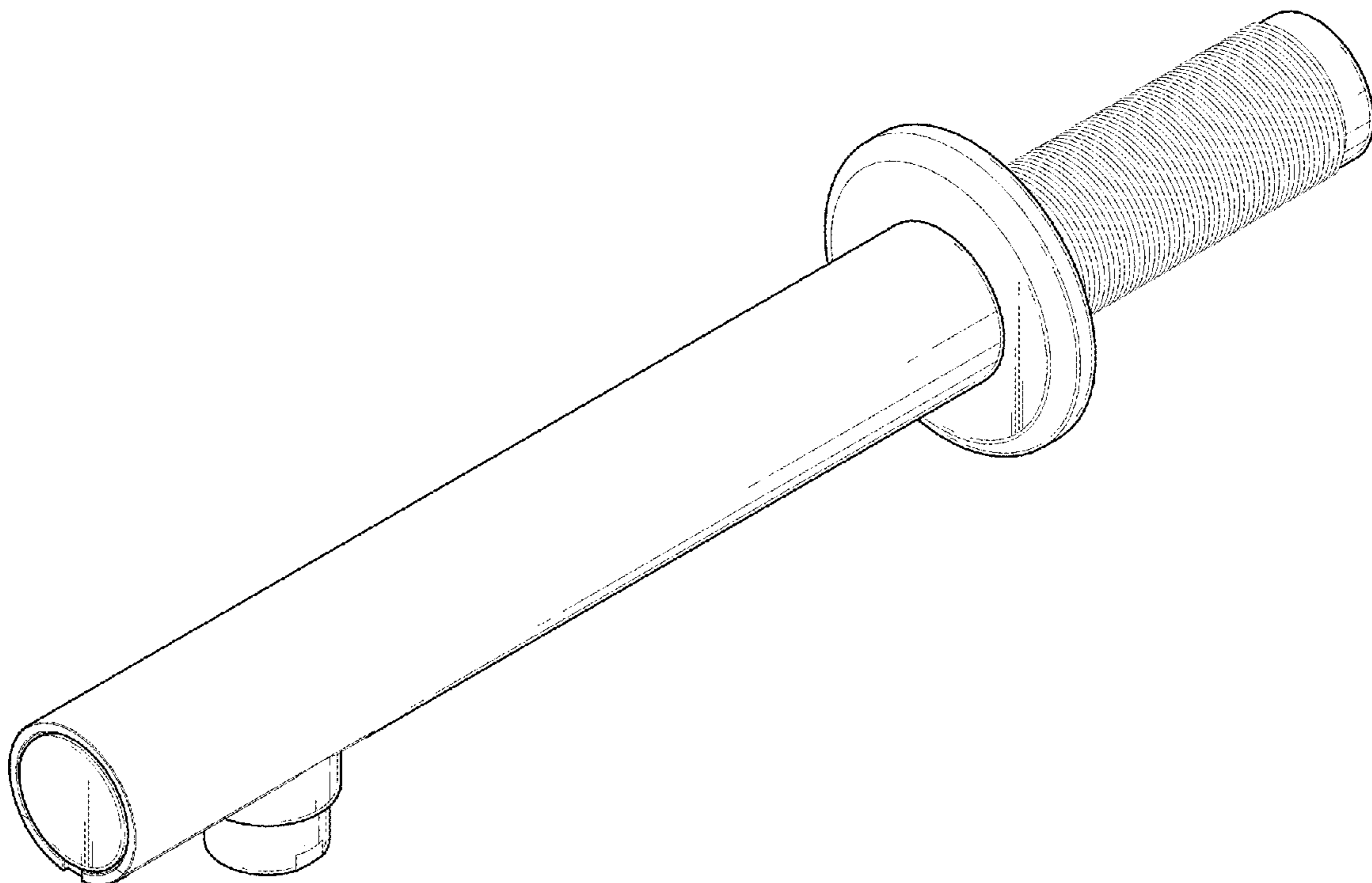
The ornamental design for the faucet, as shown and described.

DESCRIPTION

FIG. 1 is a perspective view of the faucet showing my new design;
FIG. 2 is a front elevational view thereof;
FIG. 3 is a rear elevational view thereof;
FIG. 4 is a left side elevational view thereof;
FIG. 5 is a right side elevational view thereof;
FIG. 6 is a top plan view thereof;
FIG. 7 is a bottom plan view thereof;
FIG. 8 is another perspective view thereof; and,
FIG. 9 is another perspective view thereof.

The broken line showing of a sink and wall is included for the purpose of illustrating environment and forms no part of the claimed design.

1 Claim, 6 Drawing Sheets



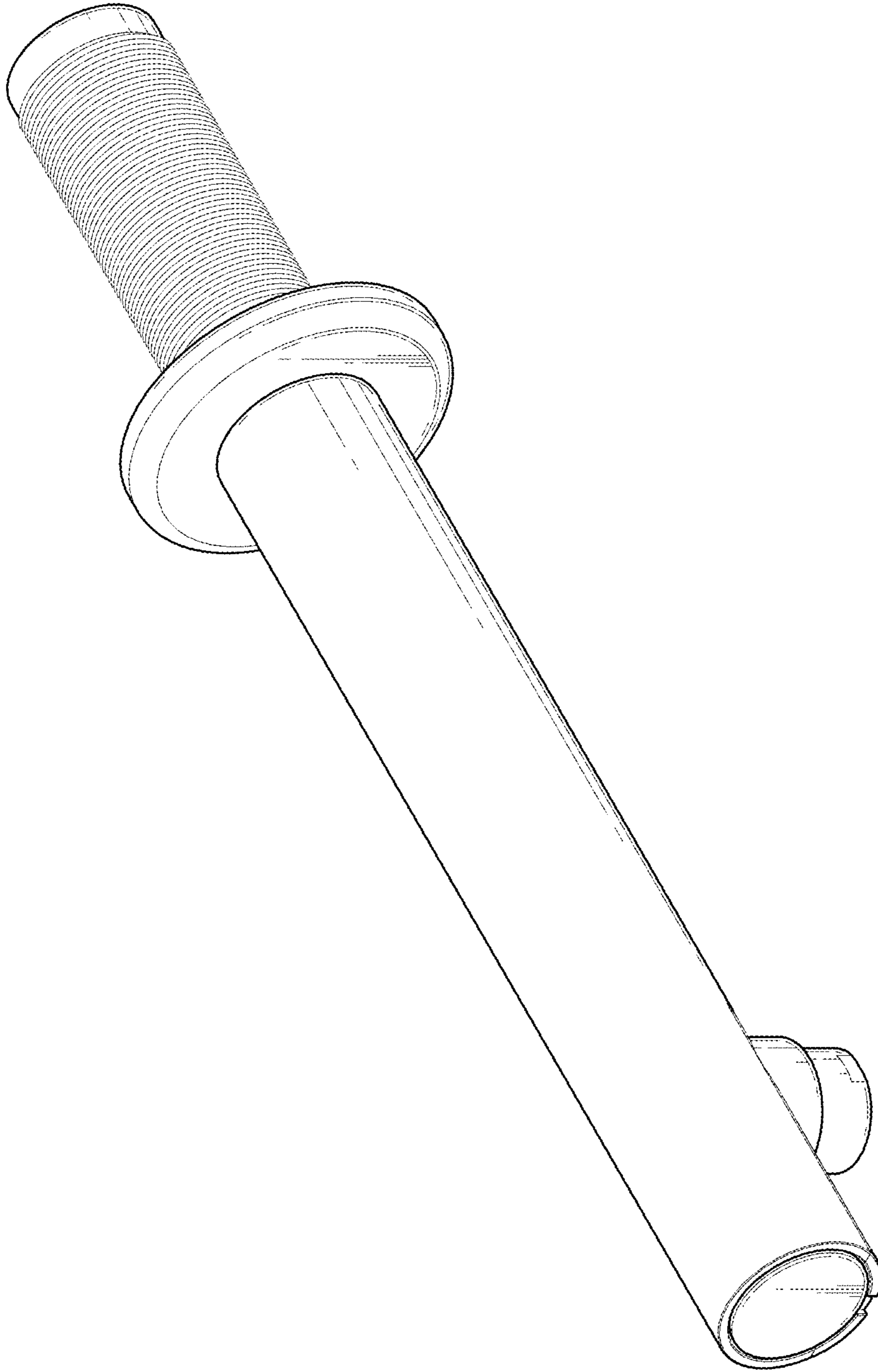


Fig. 1

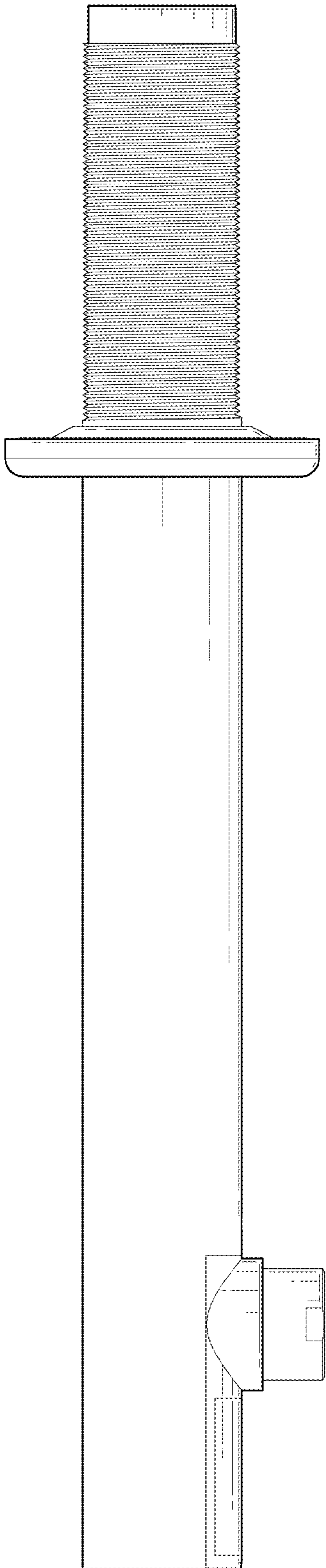


Fig. 2

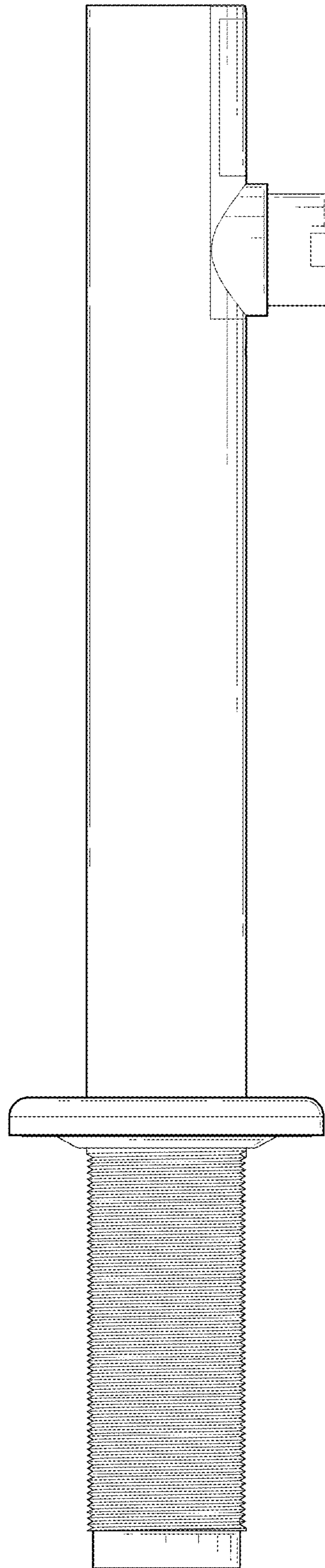


Fig. 3

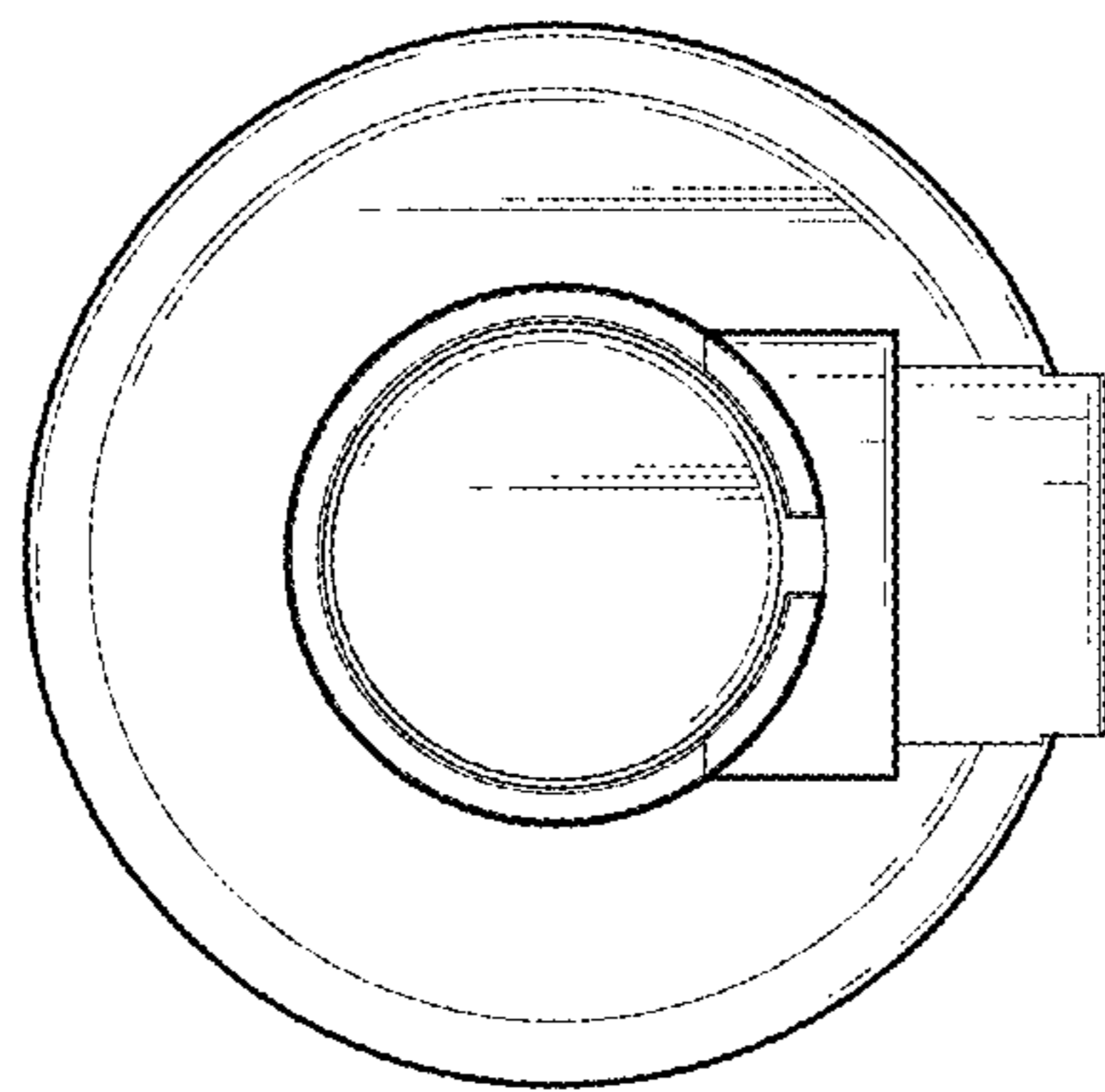


Fig. 4

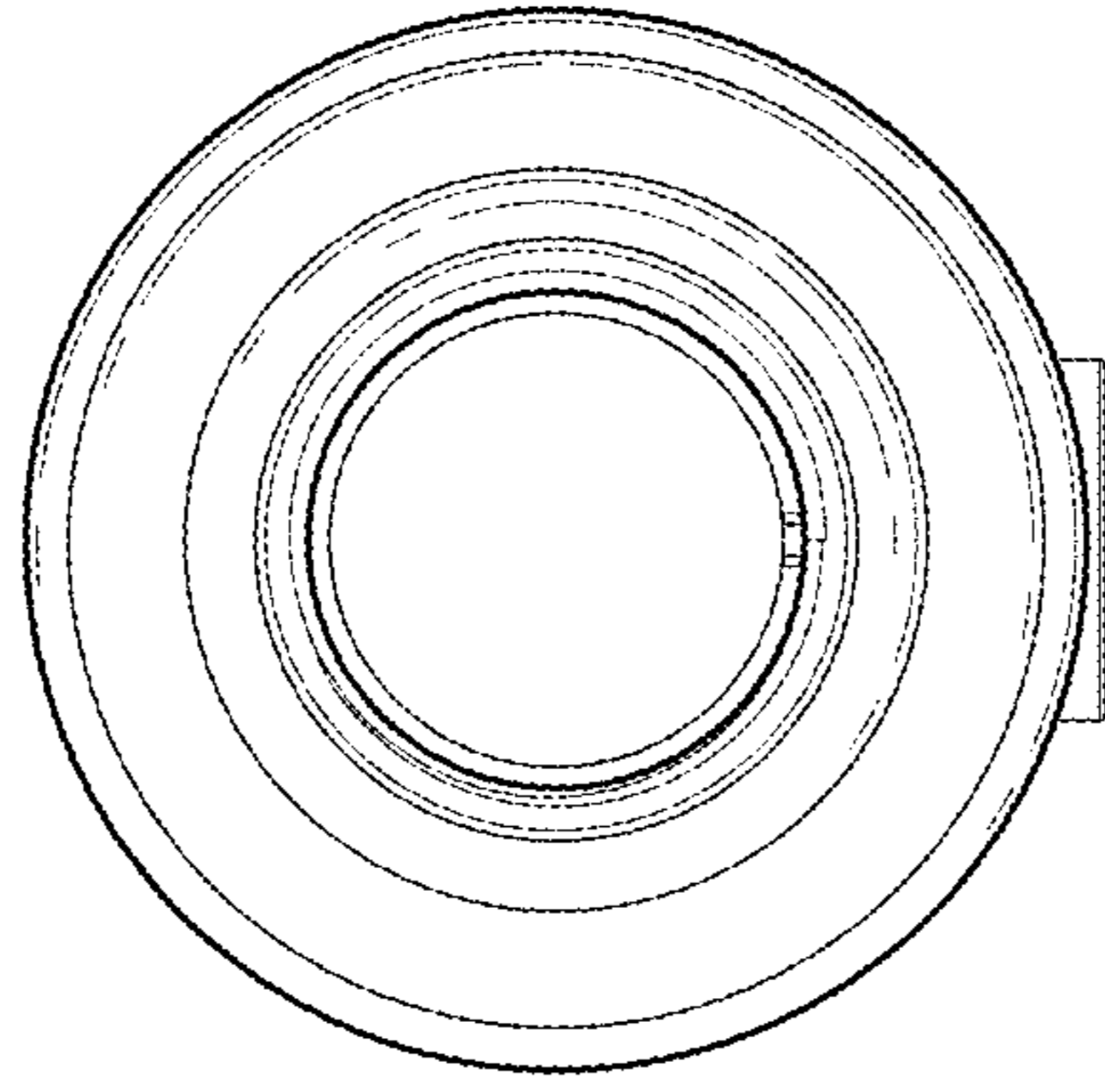


Fig. 5

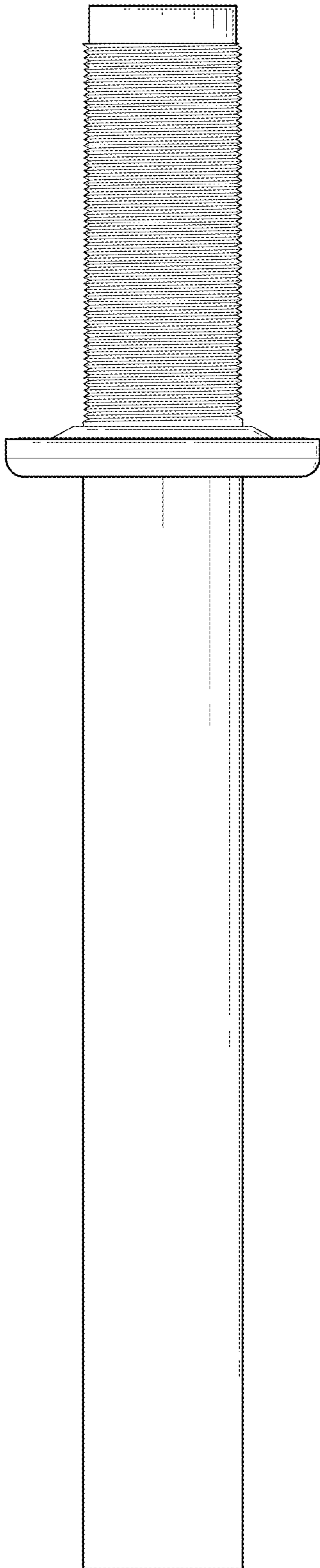


Fig. 6

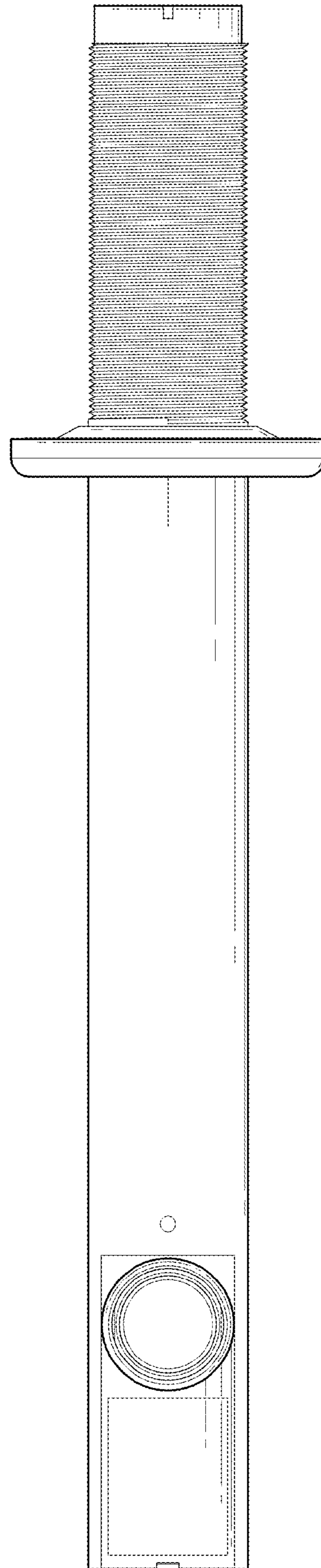


Fig. 7

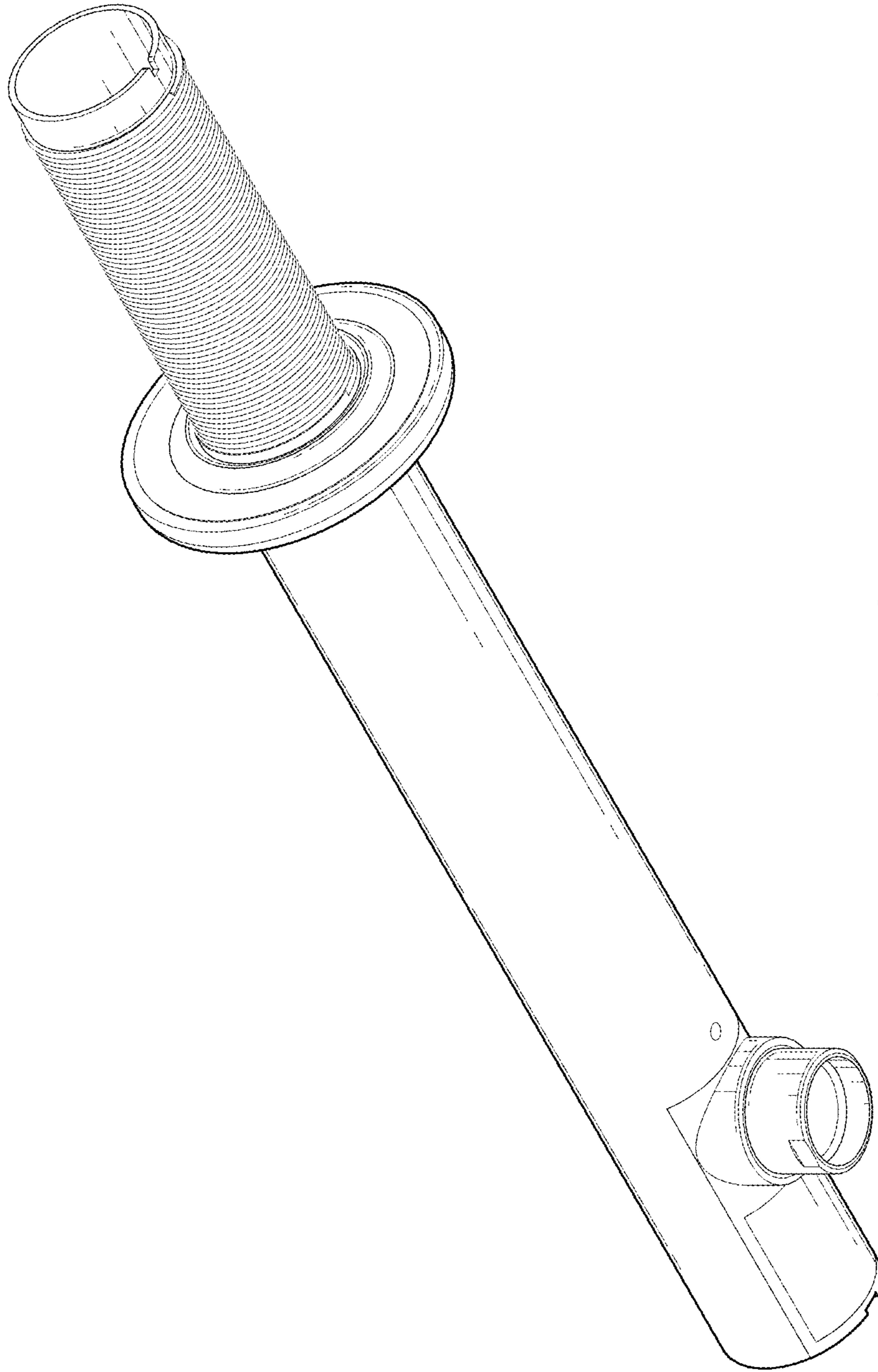


Fig. 8

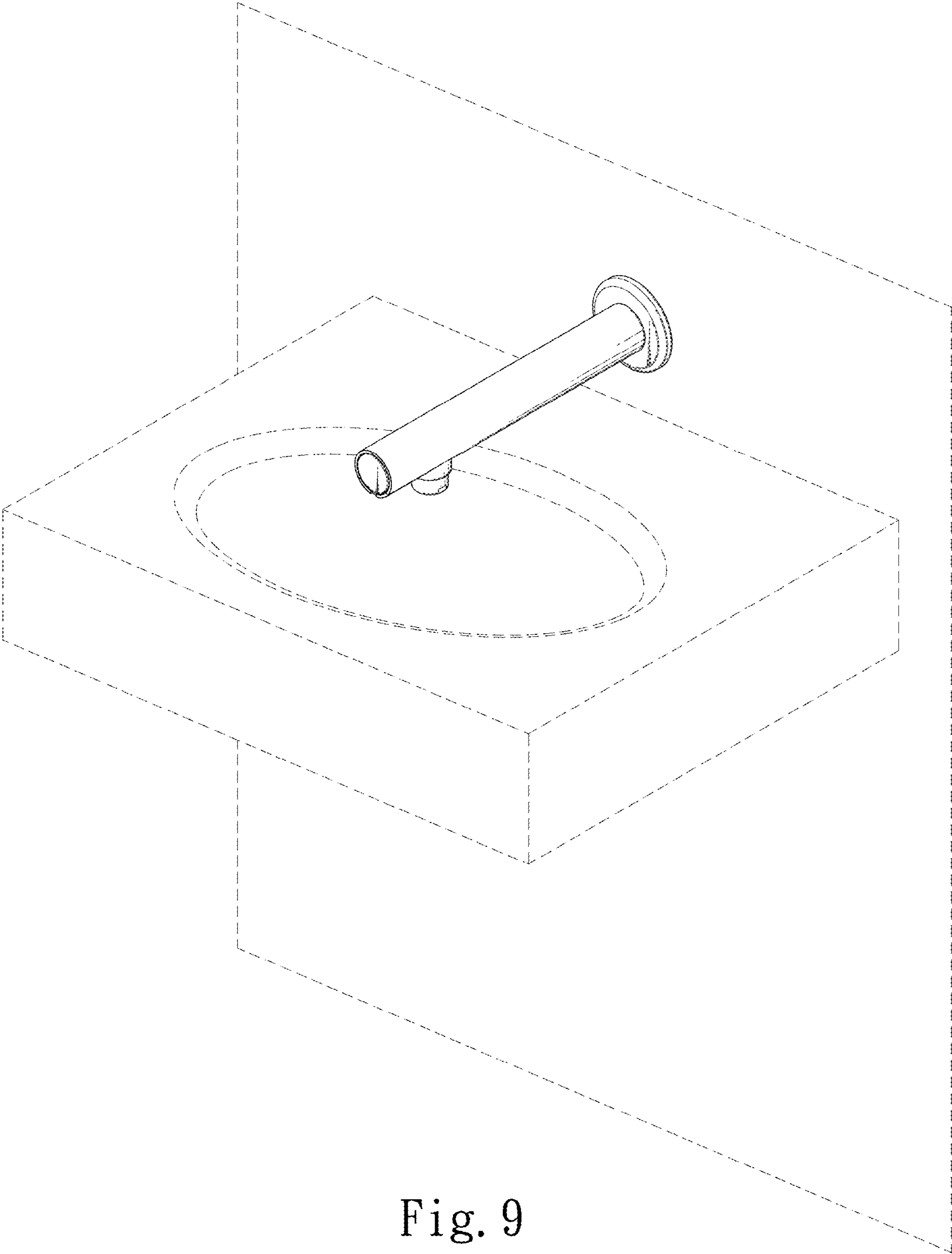


Fig. 9