



US00D885525S

(12) **United States Design Patent**
Hsu

(10) **Patent No.:** **US D885,525 S**
(45) **Date of Patent:** **** May 26, 2020**

(54) **FAUCET**

(71) Applicant: **HOKWANG INDUSTRIES CO., LTD.**, New Taipei (TW)

(72) Inventor: **Chin-Chan Hsu**, New Taipei (TW)

(73) Assignee: **Hokwang Industries Co., Ltd.**, New Taipei (TW)

(**) Term: **15 Years**

(21) Appl. No.: **29/683,764**

(22) Filed: **Mar. 15, 2019**

(51) **LOC (12) Cl.** **23-01**

(52) **U.S. Cl.**
USPC **D23/255**

(58) **Field of Classification Search**
USPC D23/238, 241–243, 249, 255, 257
CPC Y10T 137/9464; Y10T 137/6014; Y10T 137/6017

See application file for complete search history.

(56) **References Cited**

U.S. PATENT DOCUMENTS

| | | | | |
|--------------|---------|------------|-------|---------|
| D267,188 S * | 12/1982 | Thompson | | D23/255 |
| D267,189 S * | 12/1982 | Thompson | | D23/255 |
| D300,942 S * | 5/1989 | Paul | | D23/242 |
| D415,562 S * | 10/1999 | Lobermeier | | D23/243 |
| D514,200 S * | 1/2006 | Starck | | D23/238 |
| D615,628 S * | 5/2010 | Allard | | D23/255 |
| D655,784 S * | 3/2012 | Fukasawa | | D23/238 |

| | | | | |
|-------------------|---------|------------|-------|----------------------|
| D655,785 S * | 3/2012 | Fukasawa | | D23/242 |
| 2005/0133100 A1 * | 6/2005 | Bolderheij | | E03C 1/04 137/801 |
| 2015/0033469 A1 * | 2/2015 | Ferrante | | E03C 1/04 4/678 |
| 2018/0002905 A1 * | 1/2018 | Liu | | E03C 1/0404 |
| 2019/0368173 A1 * | 12/2019 | Chung | | E03C 1/0404 |

* cited by examiner

Primary Examiner — Robert A Delehanty

(74) *Attorney, Agent, or Firm* — Muncy, Geissler, Olds & Lowe, P.C.

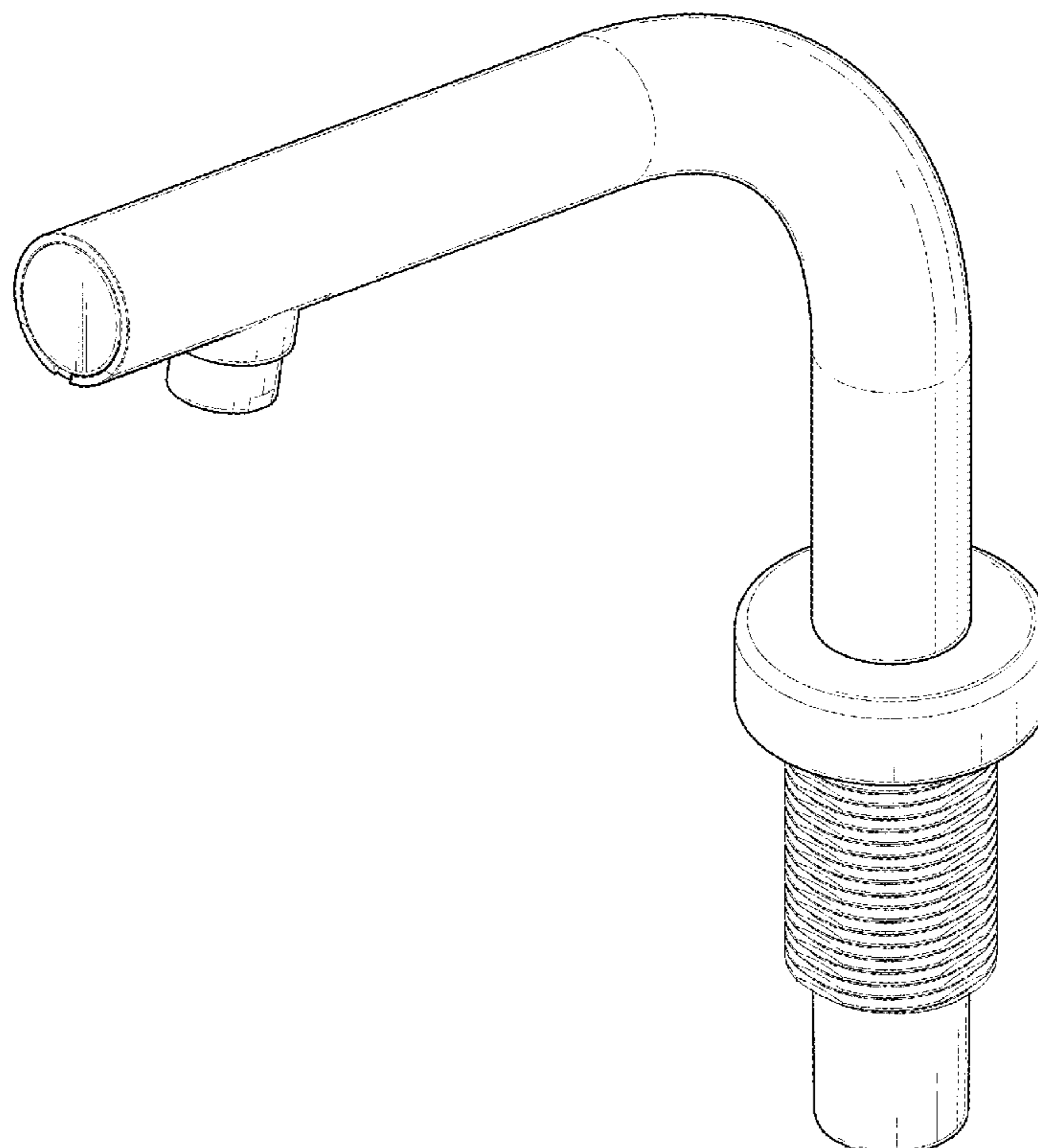
(57) **CLAIM**

The ornamental design for the faucet, as shown and described.

DESCRIPTION

FIG. 1 is a perspective view of the faucet showing the new design;
FIG. 2 is a front elevational view thereof;
FIG. 3 is a rear elevational view thereof;
FIG. 4 is a left side elevational view thereof;
FIG. 5 is a right side elevational view thereof;
FIG. 6 is a top plan view thereof;
FIG. 7 is a bottom plan view thereof;
FIG. 8 is another perspective view thereof; and,
FIG. 9 is another perspective view thereof.
The broken line showing of a sink is included for the purpose of illustrating environment and forms no part of the claimed design.

1 Claim, 7 Drawing Sheets



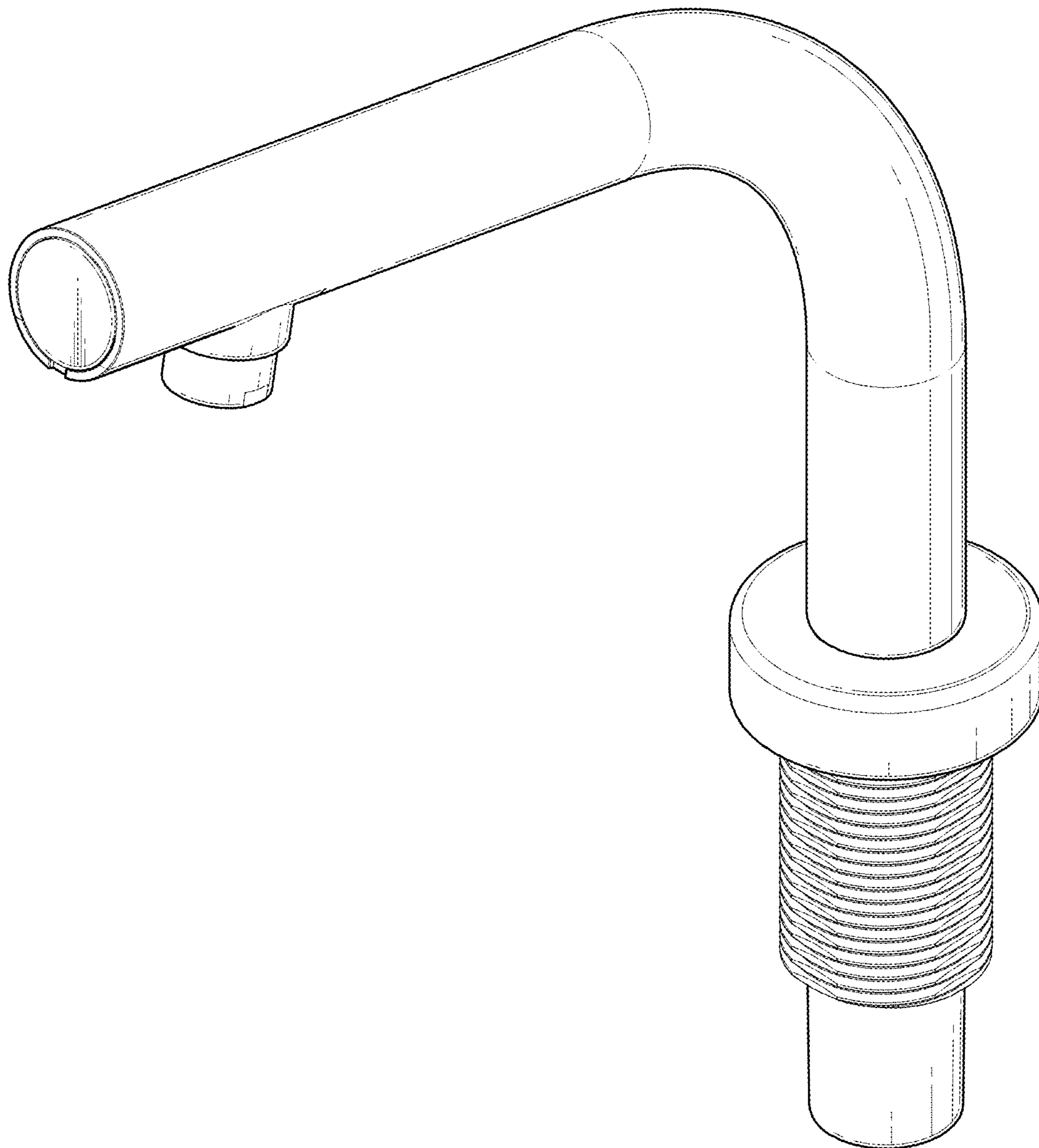


Fig. 1

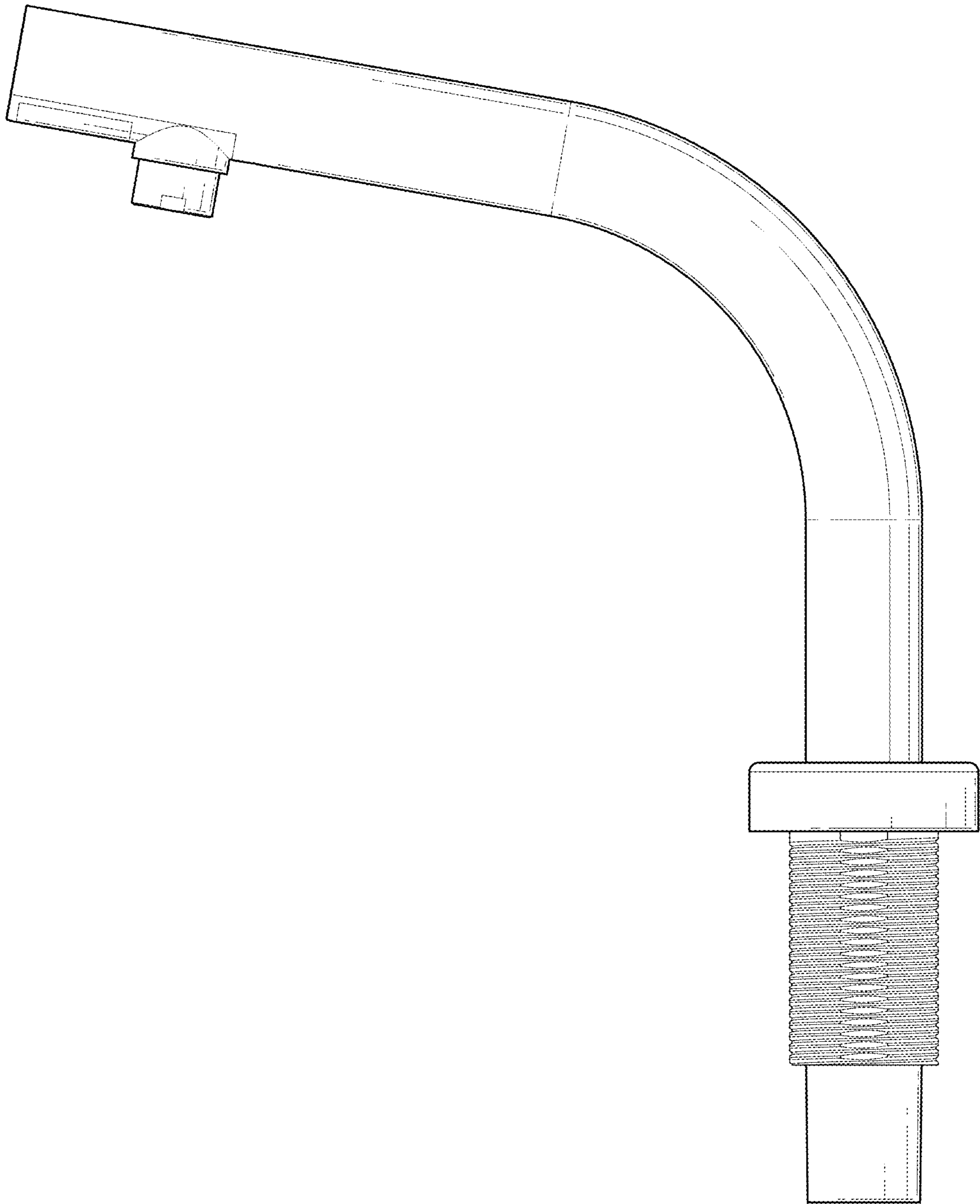


Fig. 2

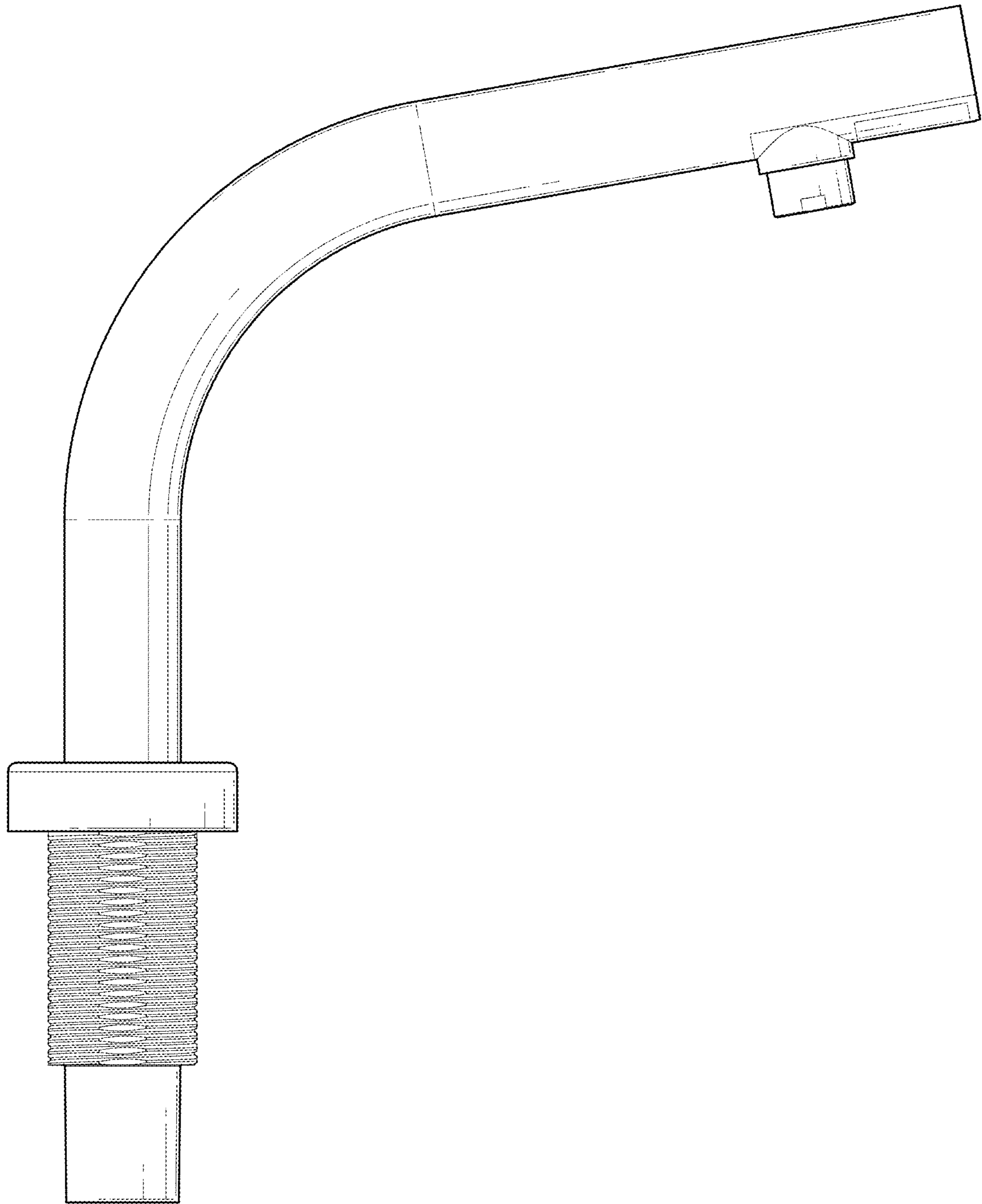


Fig. 3

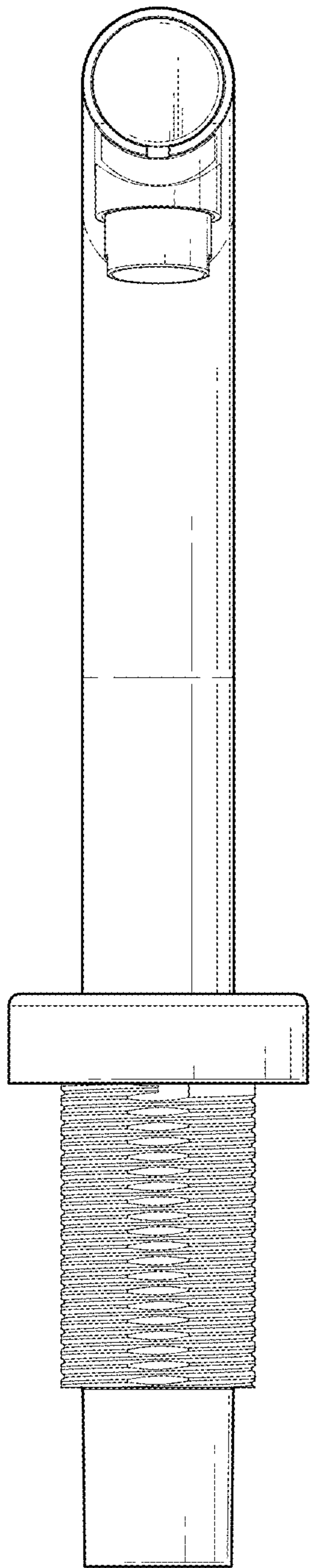


Fig. 4

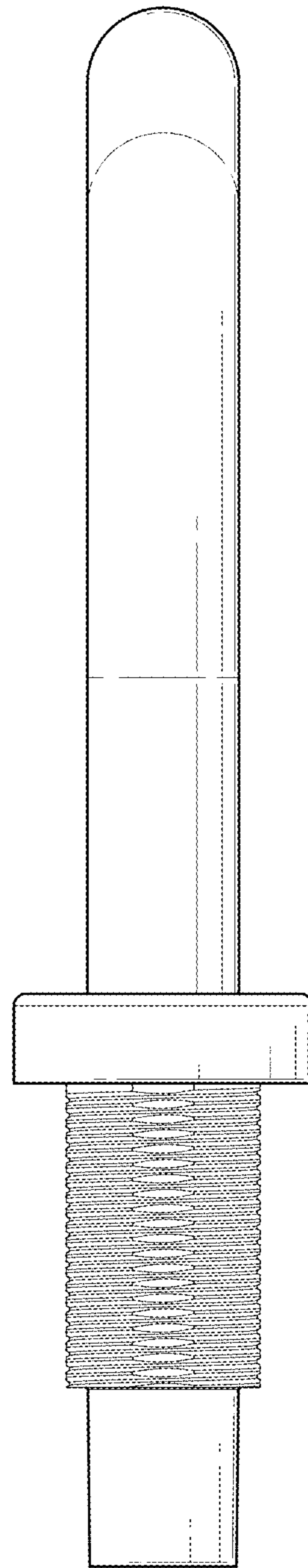


Fig. 5

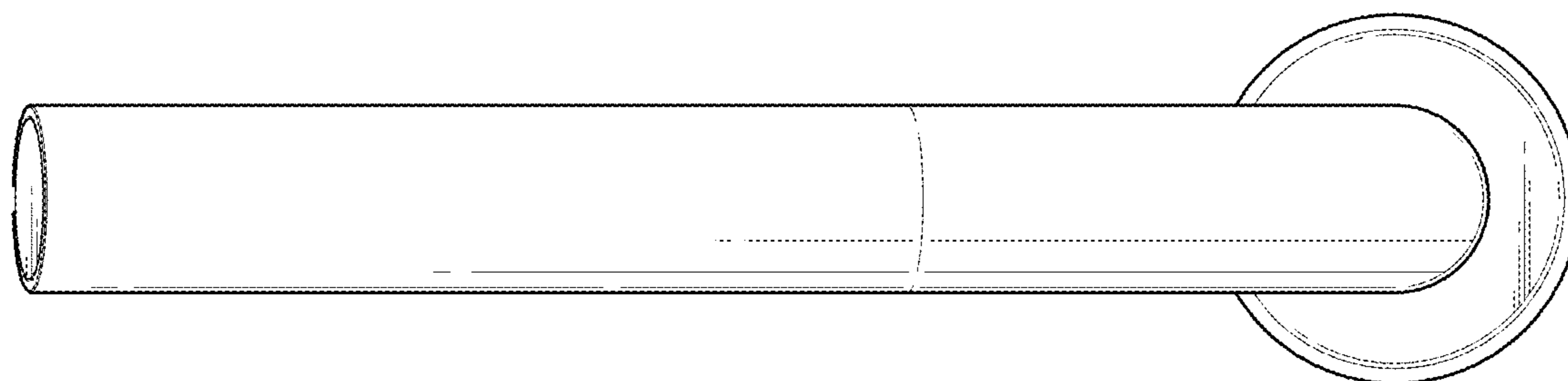


Fig. 6

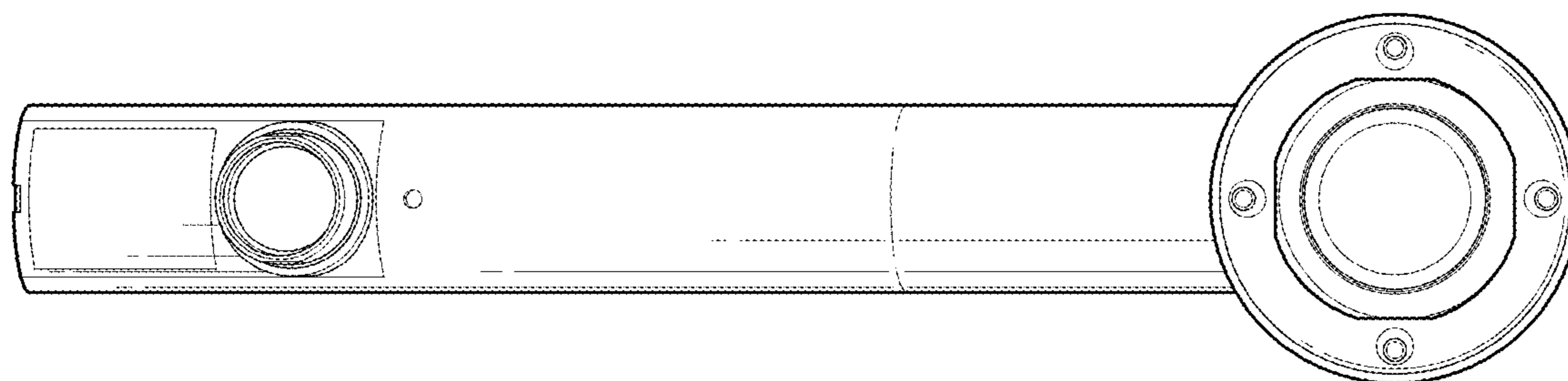


Fig. 7

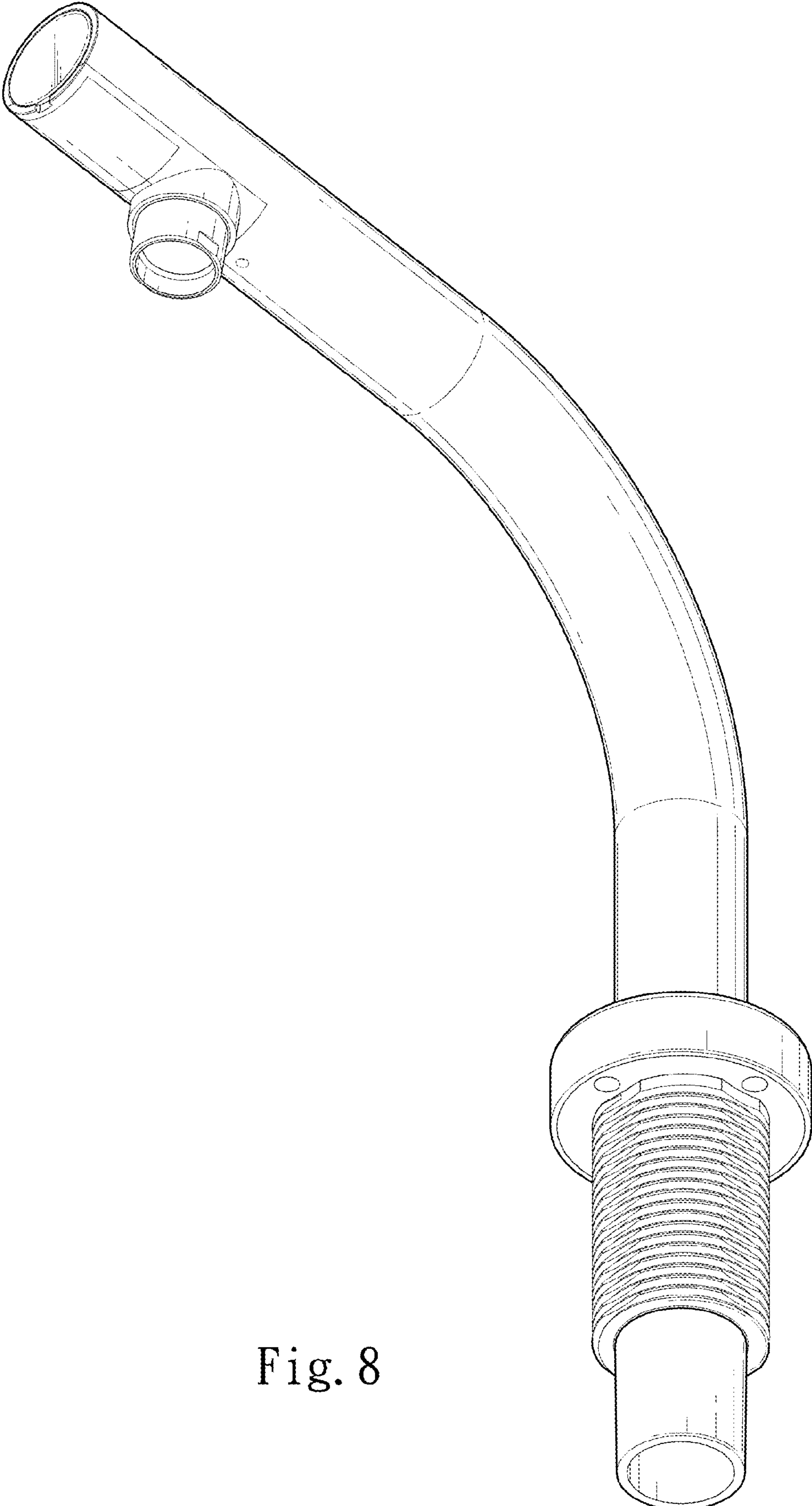


Fig. 8

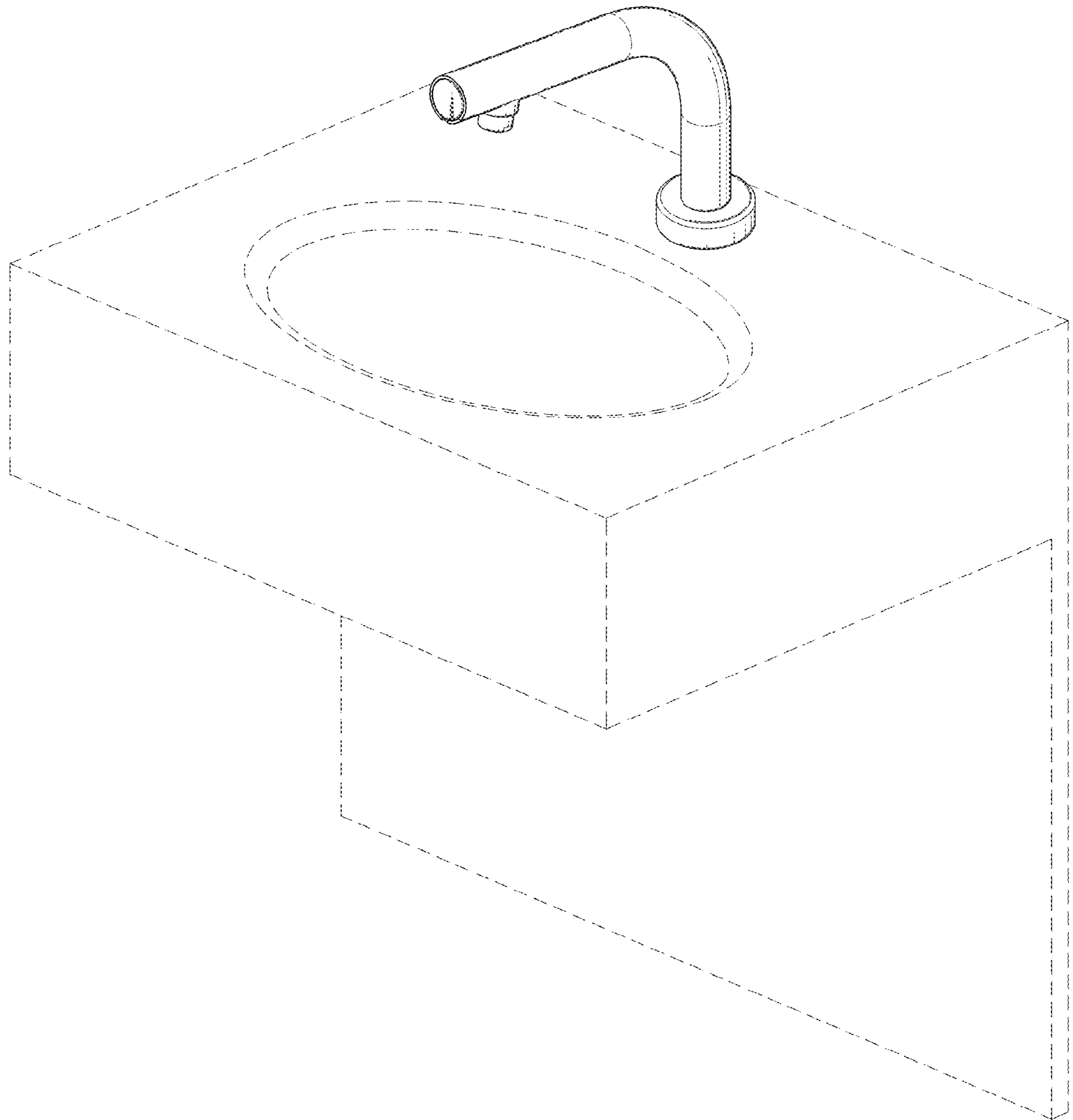


Fig. 9