



US00D885524S

(12) **United States Design Patent** (10) **Patent No.:** **US D885,524 S**
Seum et al. (45) **Date of Patent:** **** *May 26, 2020**

(54) **FAUCET**

D635,647 S * 4/2011 Montgomery D23/239
9,551,136 B2 * 1/2017 Keiter E03C 1/0404
D855,772 S * 8/2019 Seum D23/242

(71) Applicant: **Grohe AG**, Hemer (DE)

* cited by examiner

(72) Inventors: **Michael Seum**, Duesseldorf (DE);
Jung-Beom Han, Duesseldorf (DE)

Primary Examiner — Robert A Delehanty

(73) Assignee: **Grohe AG**, Hemer (DE)

(74) *Attorney, Agent, or Firm* — Muncy, Geissler, Olds & Lowe, P.C.

(*) Notice: This patent is subject to a terminal disclaimer.

(**) Term: **15 Years**

(57) **CLAIM**

(21) Appl. No.: **29/677,251**

The ornamental design for a faucet, as shown and described.

(22) Filed: **Jan. 18, 2019**

(30) **Foreign Application Priority Data**

DESCRIPTION

Jul. 19, 2018 (EM) 005508249-0001

(51) **LOC (12) Cl.** **23-01**

(52) **U.S. Cl.**
USPC **D23/241**

(58) **Field of Classification Search**
USPC D23/238, 241–243, 249–250, 252–253,
D23/254–255, 257; D8/307–308
CPC Y10T 137/9464; Y10T 137/6014; Y10T
137/6017
See application file for complete search history.

FIG. 1 is a front perspective view of a faucet according to the present invention.

FIG. 2 is a front view of the faucet of FIG. 1.

FIG. 3 is a rear view of the faucet of FIG. 1.

FIG. 4 is a left side view of the faucet of FIG. 1.

FIG. 5 is a right side view of the faucet of FIG. 1.

FIG. 6 is a top view of the faucet of FIG. 1; and,

FIG. 7 is a bottom view of the faucet of FIG. 1.

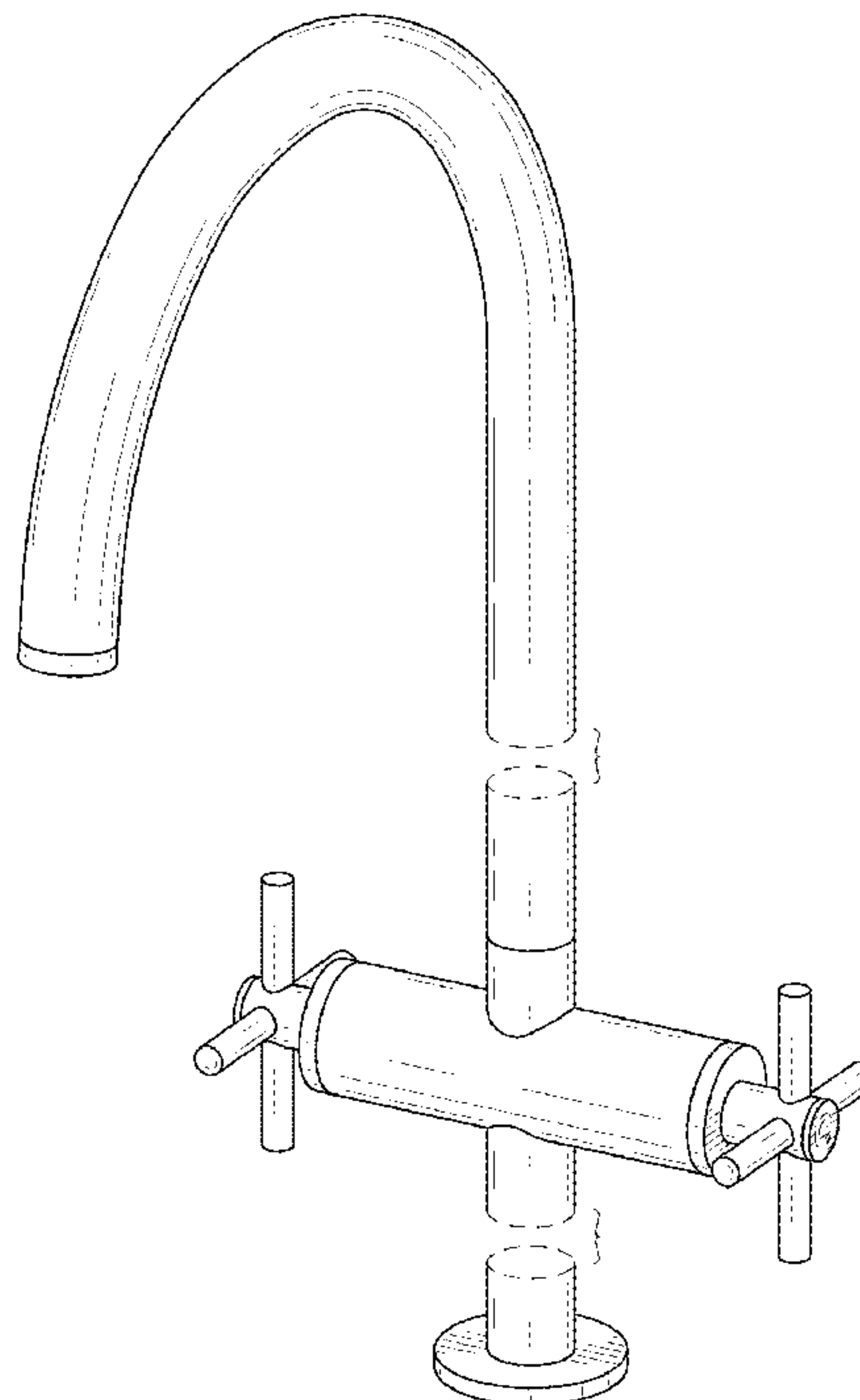
The dashed lines illustrate environment that does not form a part of the present invention, and no claim is made to the material illustrated with dashed lines.

(56) **References Cited**

U.S. PATENT DOCUMENTS

D457,224 S * 5/2002 Gottwald D23/241
D469,157 S * 1/2003 Lobermeier D23/238
D527,076 S * 8/2006 Kolin D23/241

1 Claim, 7 Drawing Sheets



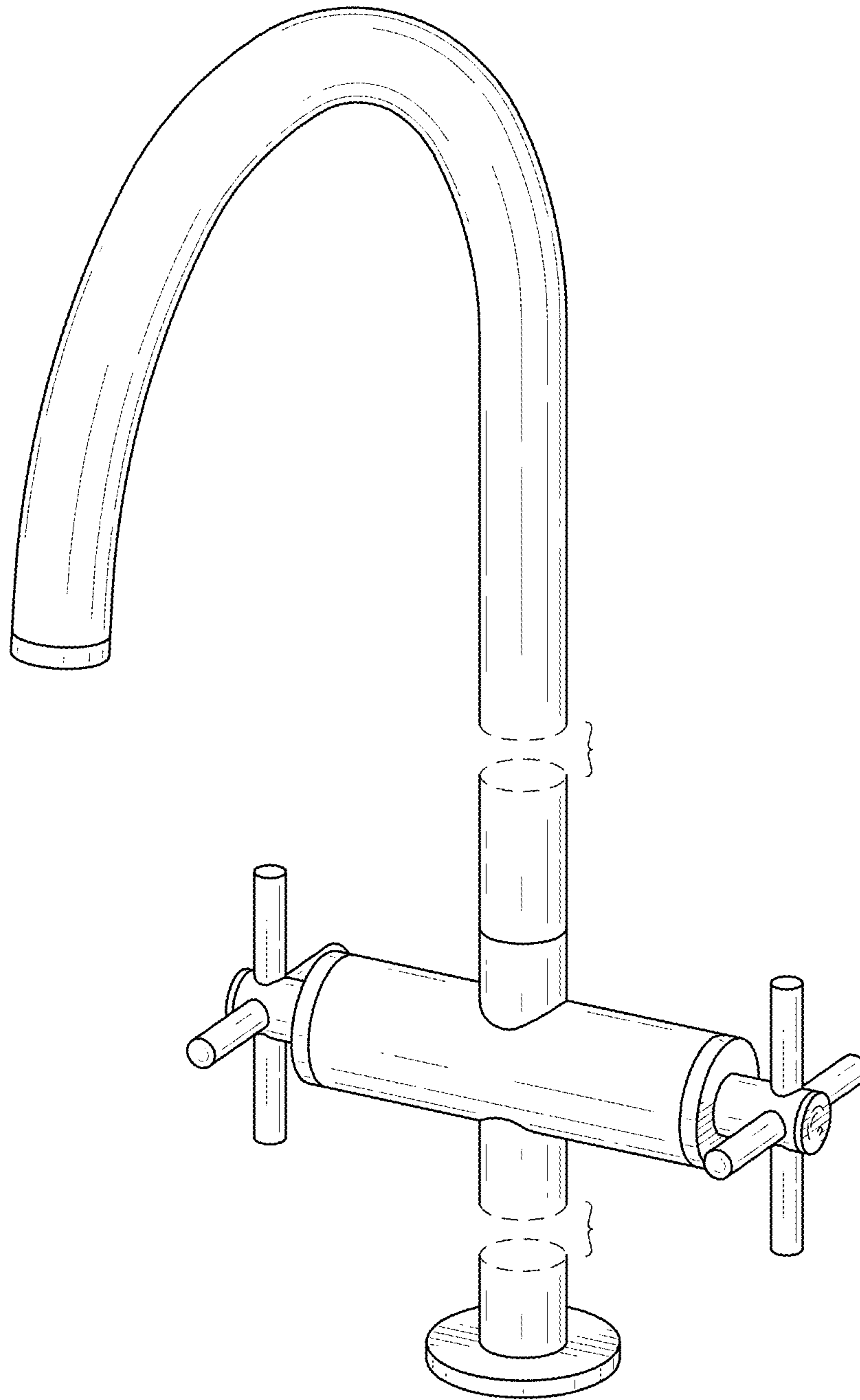


FIG. 1

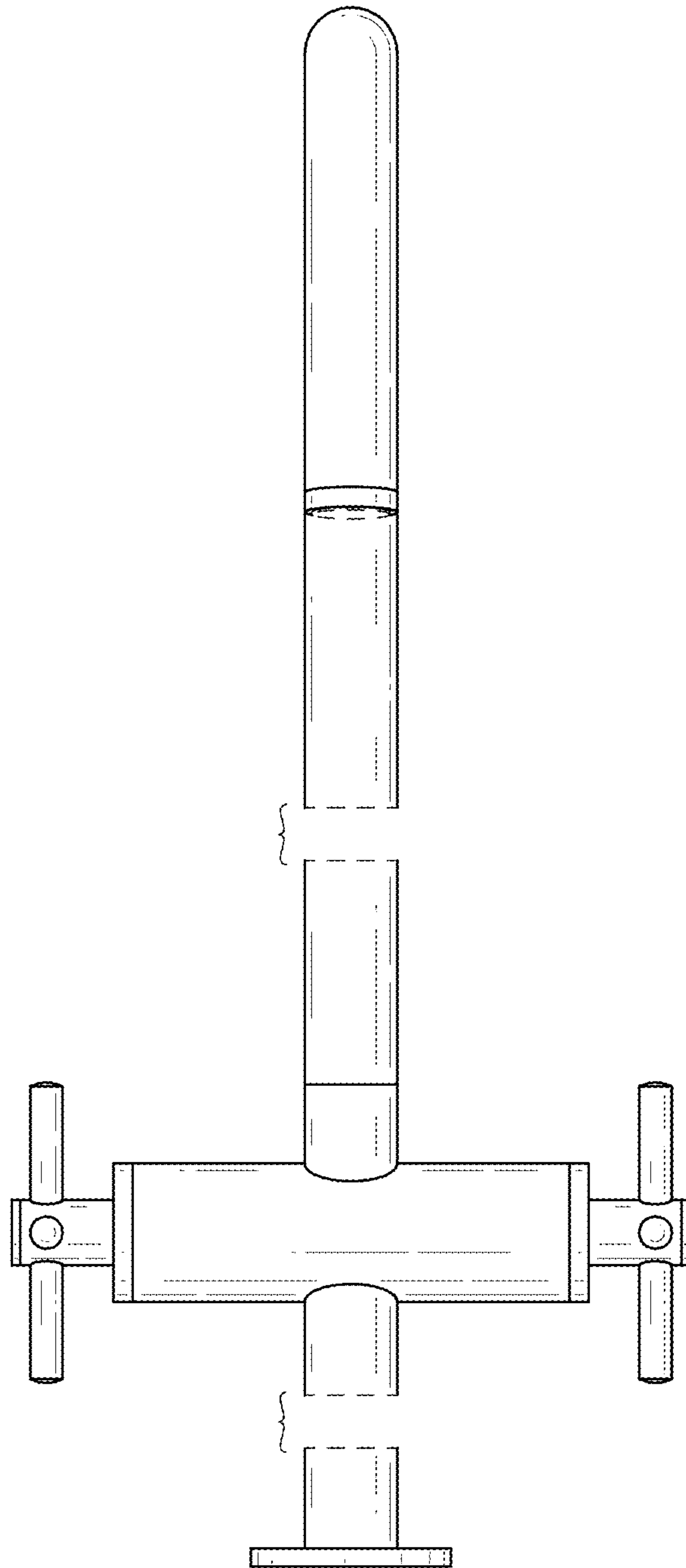


FIG.2

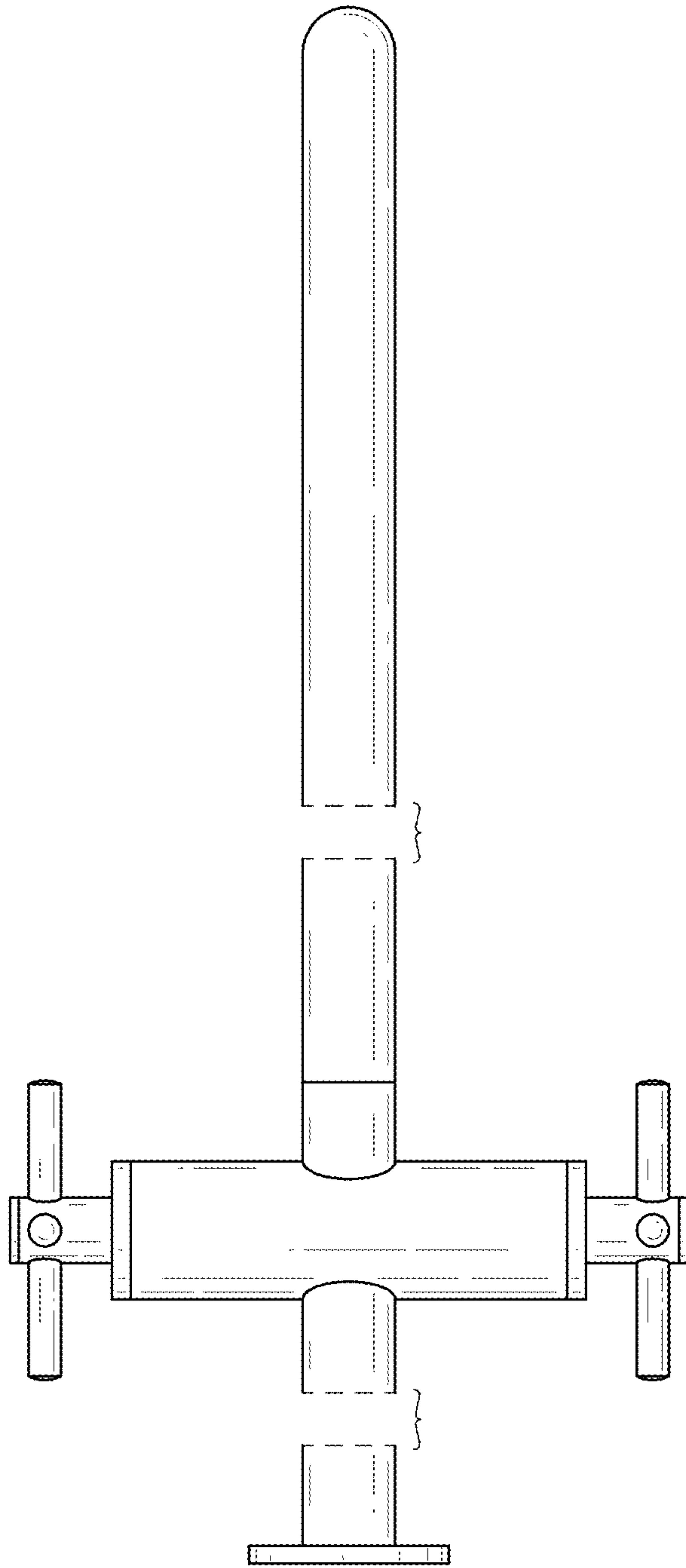


FIG.3

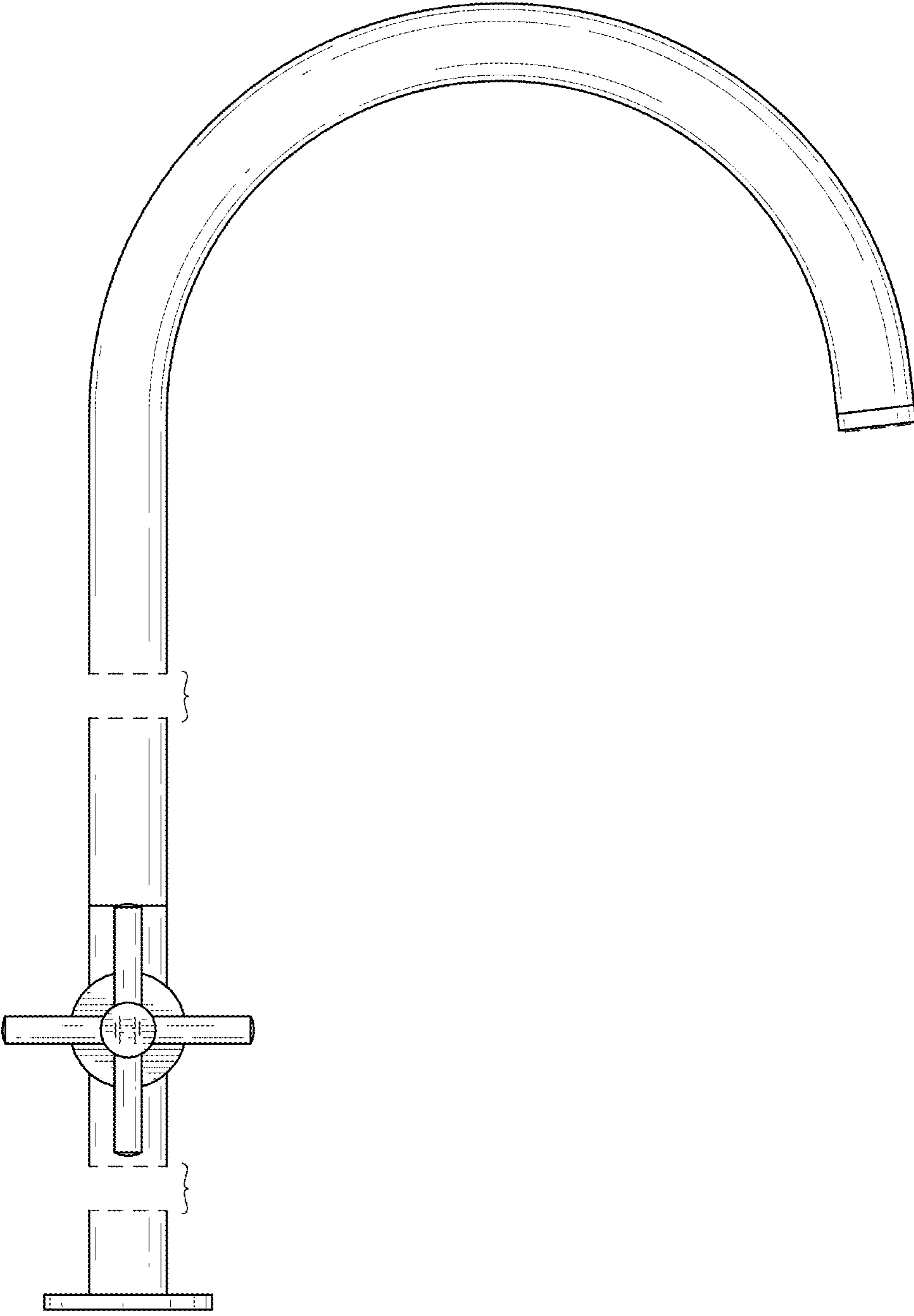


FIG.4

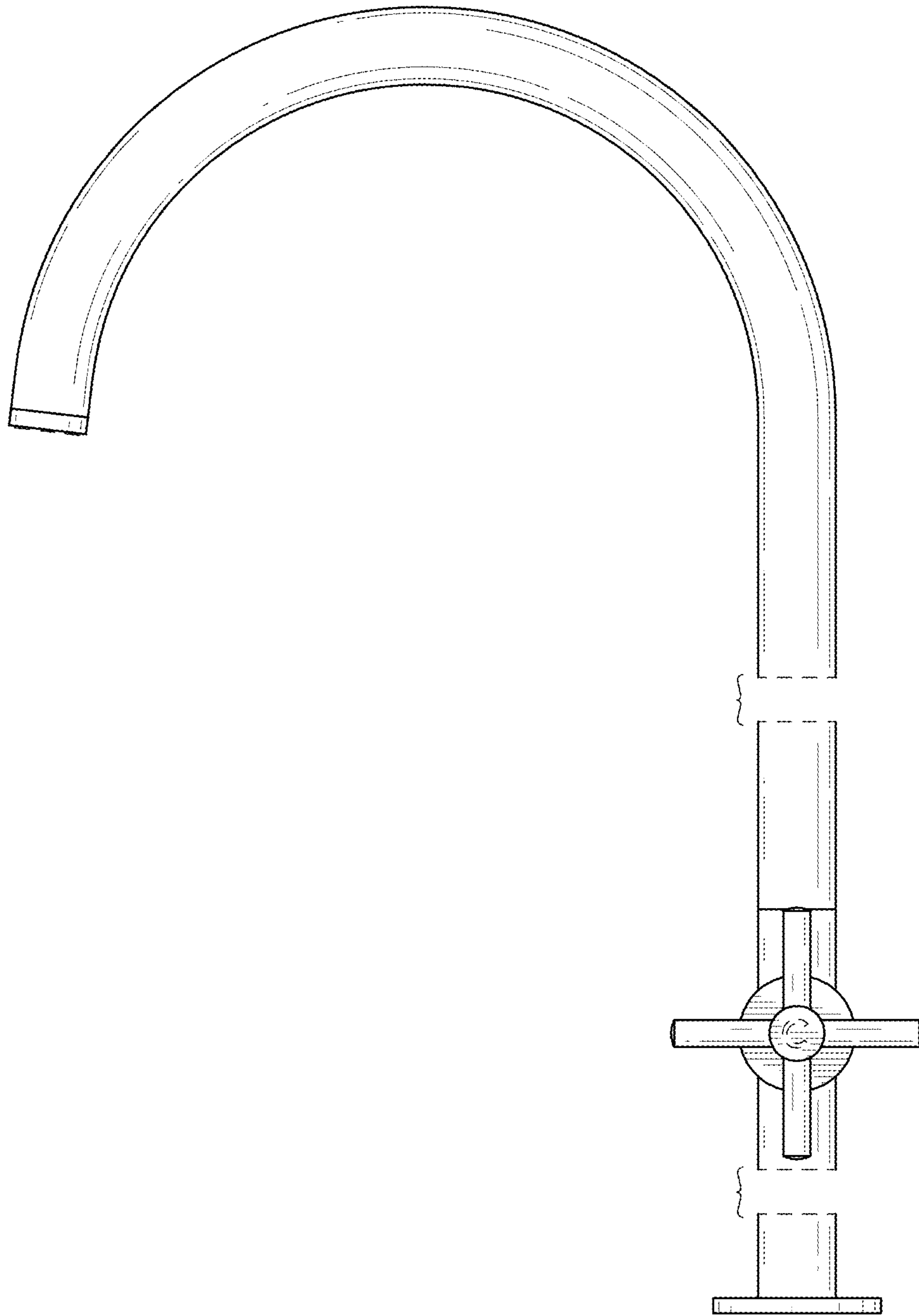


FIG.5

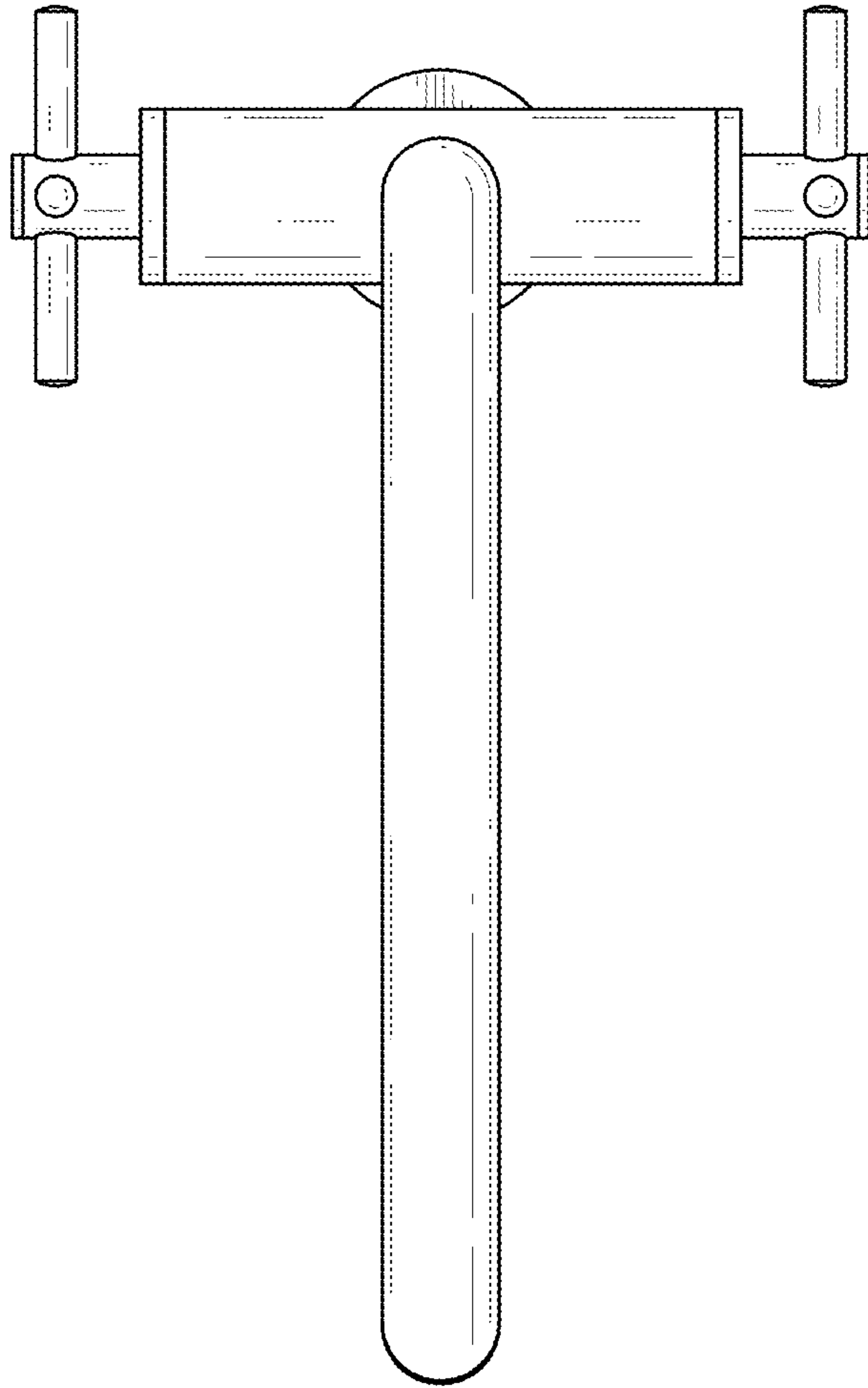


FIG.6

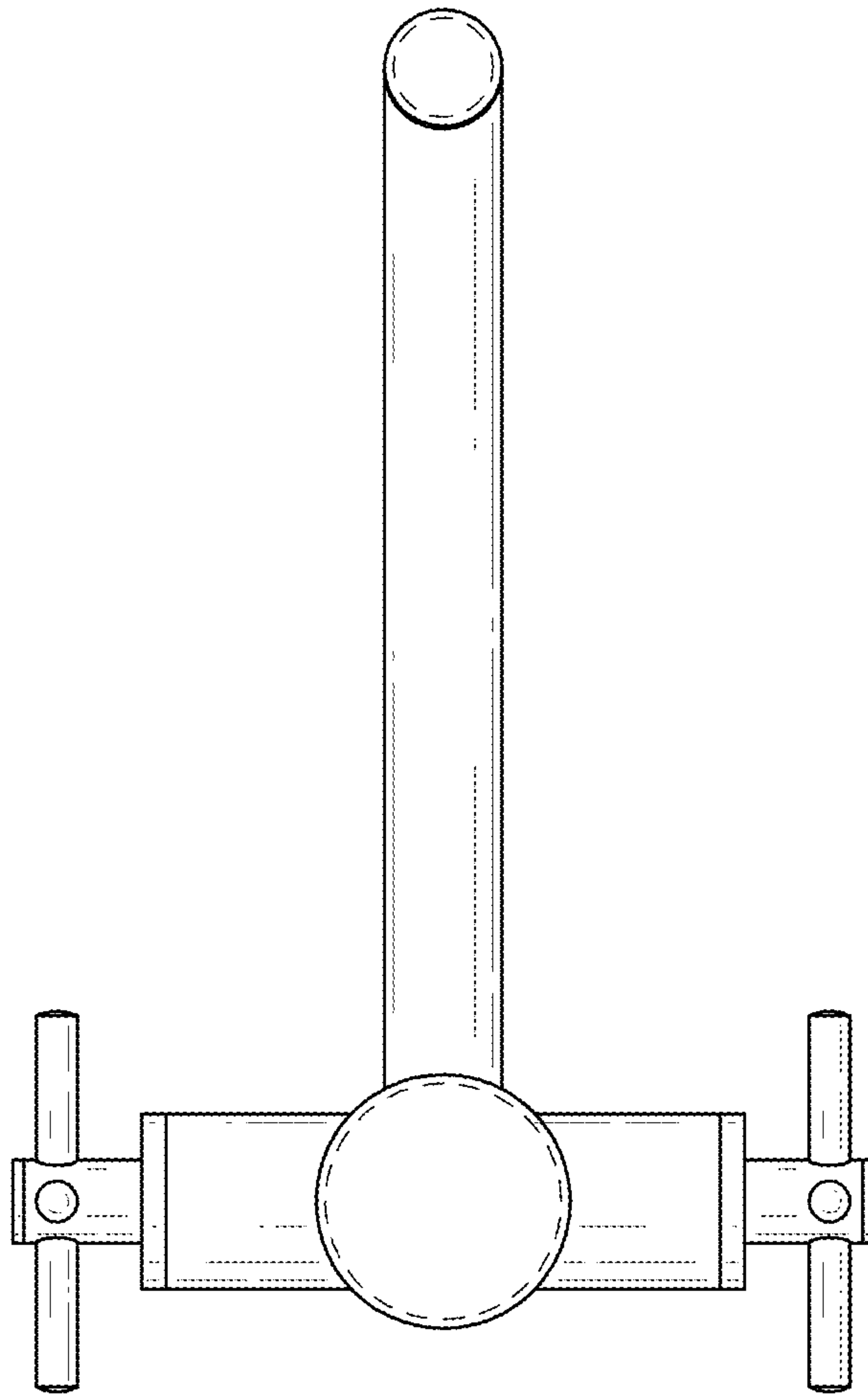


FIG.7