



US00D885522S

(12) **United States Design Patent**
Whitman

(10) **Patent No.:** **US D885,522 S**

(45) **Date of Patent:** **** May 26, 2020**

(54) **COMBINATION GAS PRESSURE RELIEF VALVE AND SAFETY WHISTLE**

8,448,663 B2 * 5/2013 Jakubowski F16K 15/063
137/526

D693,429 S * 11/2013 Thibodeaux, Jr. D23/233

D745,114 S * 12/2015 Alexander D23/235

9,810,332 B2 * 11/2017 Chapman F16K 17/04

(71) Applicant: **Gerard Whitman**, Lowell, MA (US)

(72) Inventor: **Gerard Whitman**, Lowell, MA (US)

* cited by examiner

(**) Term: **15 Years**

Primary Examiner — Gino Colan

(21) Appl. No.: **29/674,194**

(22) Filed: **Dec. 20, 2018**

(51) **LOC (12) Cl.** **23-01**

(52) **U.S. Cl.**
USPC **D23/235**

(58) **Field of Classification Search**
USPC D23/233, 235, 237, 241, 242, 245–249;
137/588, 115.23, 116.5, 527.4, 527.6, 71,
137/467, 526; 251/147
CPC F16K 17/06; F16K 24/06; F16K 1/306;
F16K 24/04; F16K 17/00; F16K 17/0486
See application file for complete search history.

(57) **CLAIM**

The ornamental design for a combination gas pressure relief valve and safety whistle, as shown and described.

DESCRIPTION

FIG. 1 is a perspective view of a combination gas pressure relief valve and safety whistle showing my new design; FIG. 2 is a front view thereof; FIG. 3 is a left side view thereof, the right side view being a mirror image of FIG. 3; FIG. 4 is a back view thereof; FIG. 5 is a top view thereof; and, FIG. 6 is a bottom view thereof.

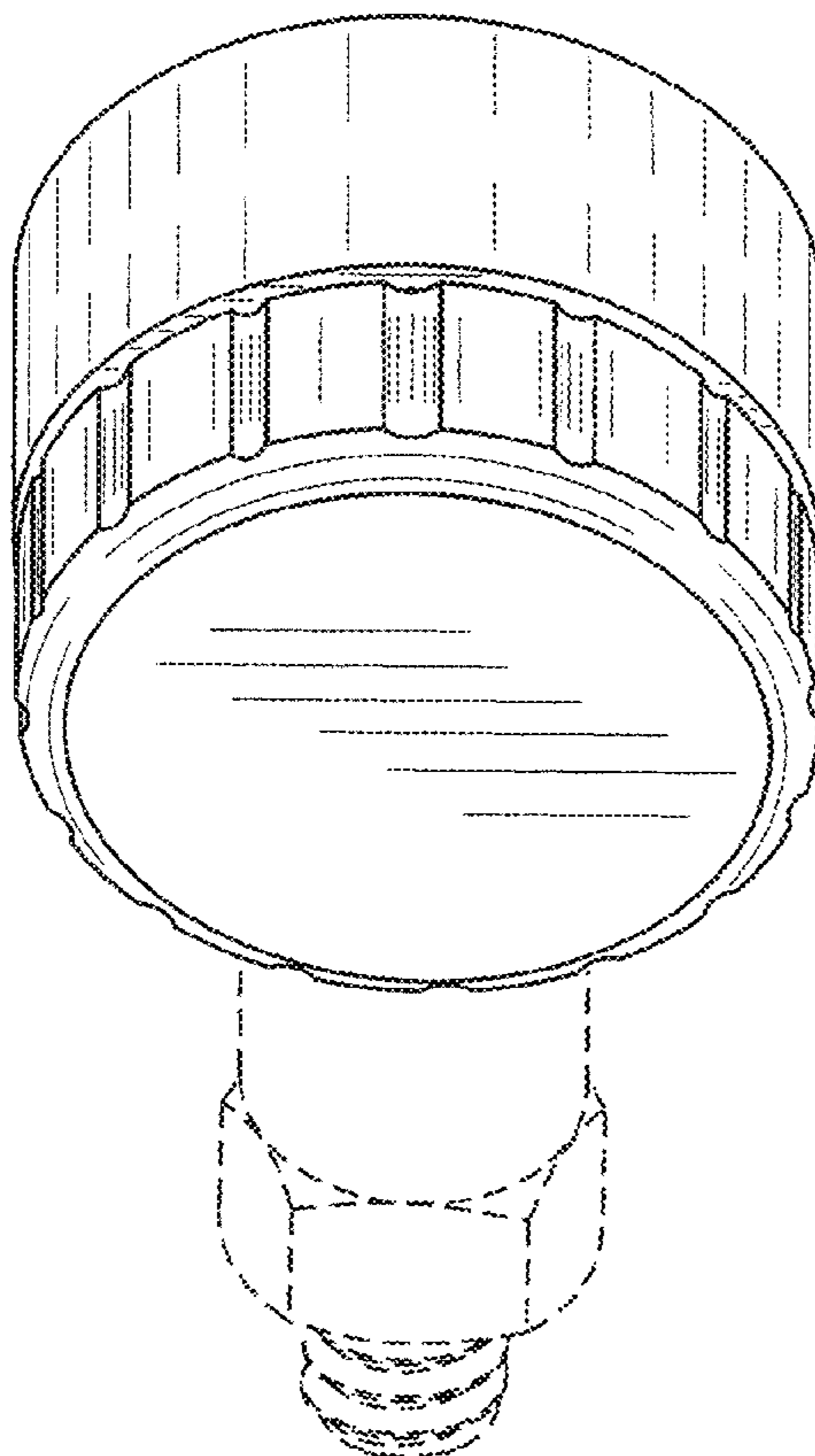
The broken lines shown in the figures are for the purpose of illustrating portions of the combination gas pressure relief valve and safety whistle and form no part of the claimed design.

(56) **References Cited**

U.S. PATENT DOCUMENTS

1,024,683	A	4/1912	Gray	
3,276,420	A	10/1966	Fresolone	
D242,709	S	* 12/1976	Schourup D23/235
D242,710	S	* 12/1976	Schourup D23/235
7,455,070	B2	* 11/2008	Hamza E04H 4/12 137/467

1 Claim, 2 Drawing Sheets



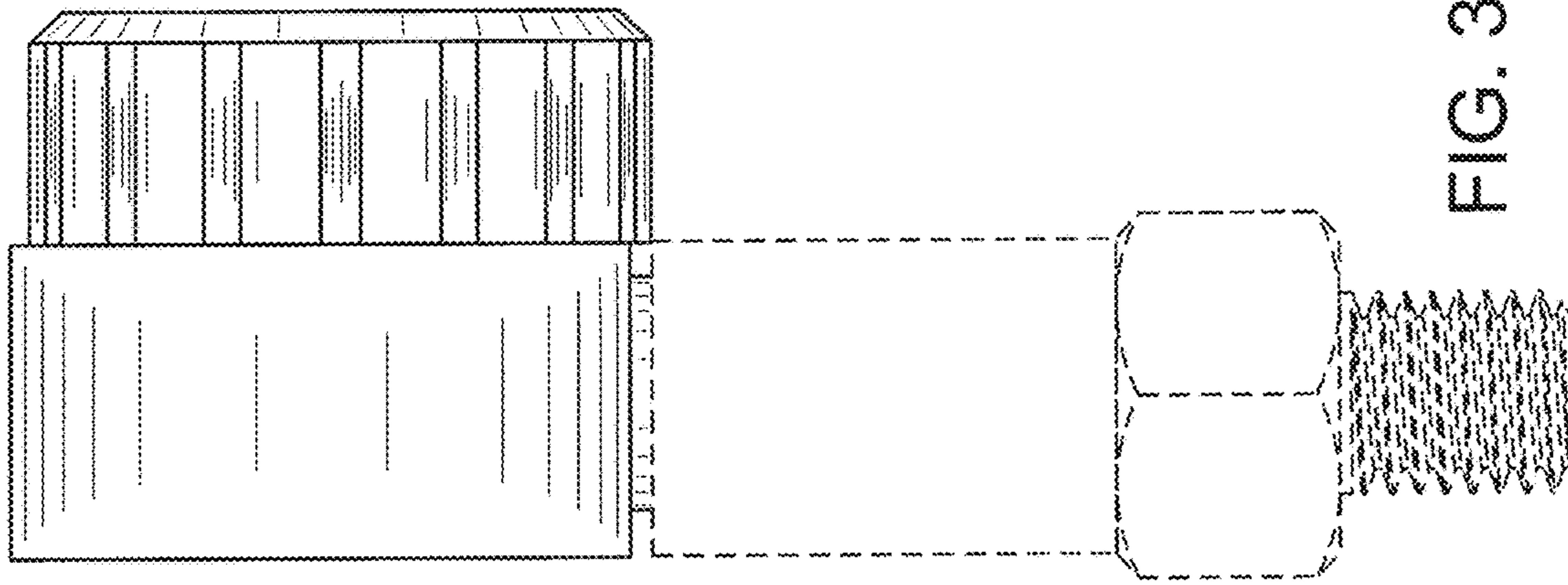


FIG. 3

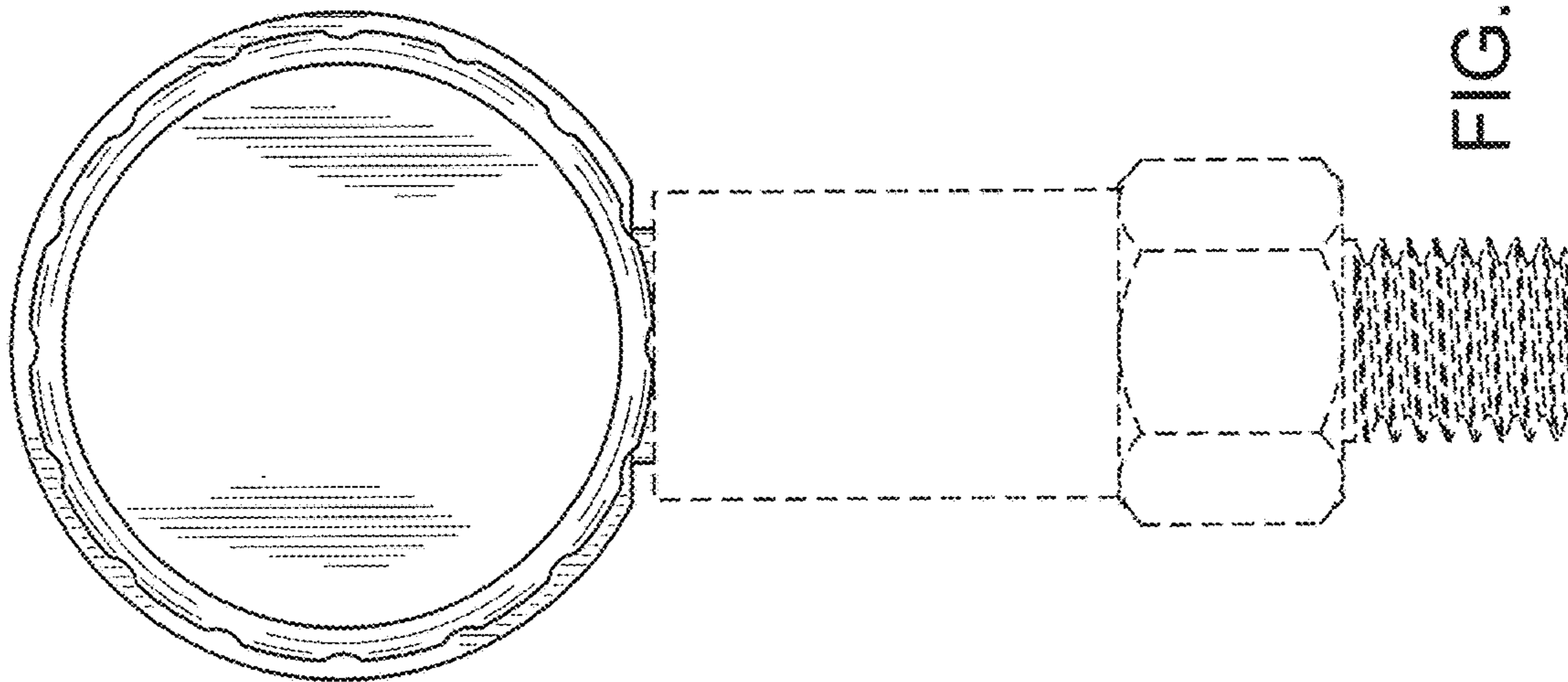


FIG. 2

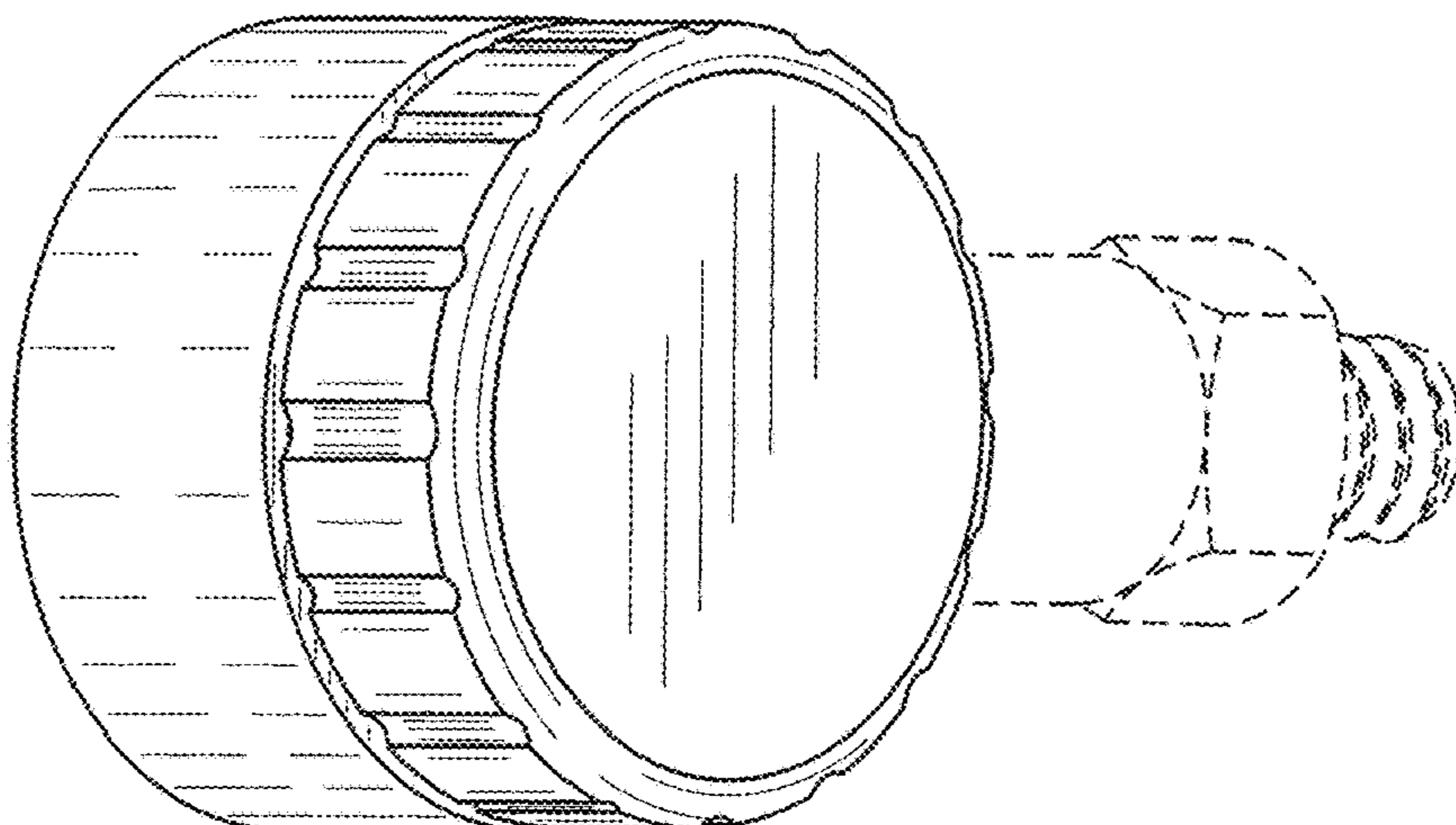


FIG. 1

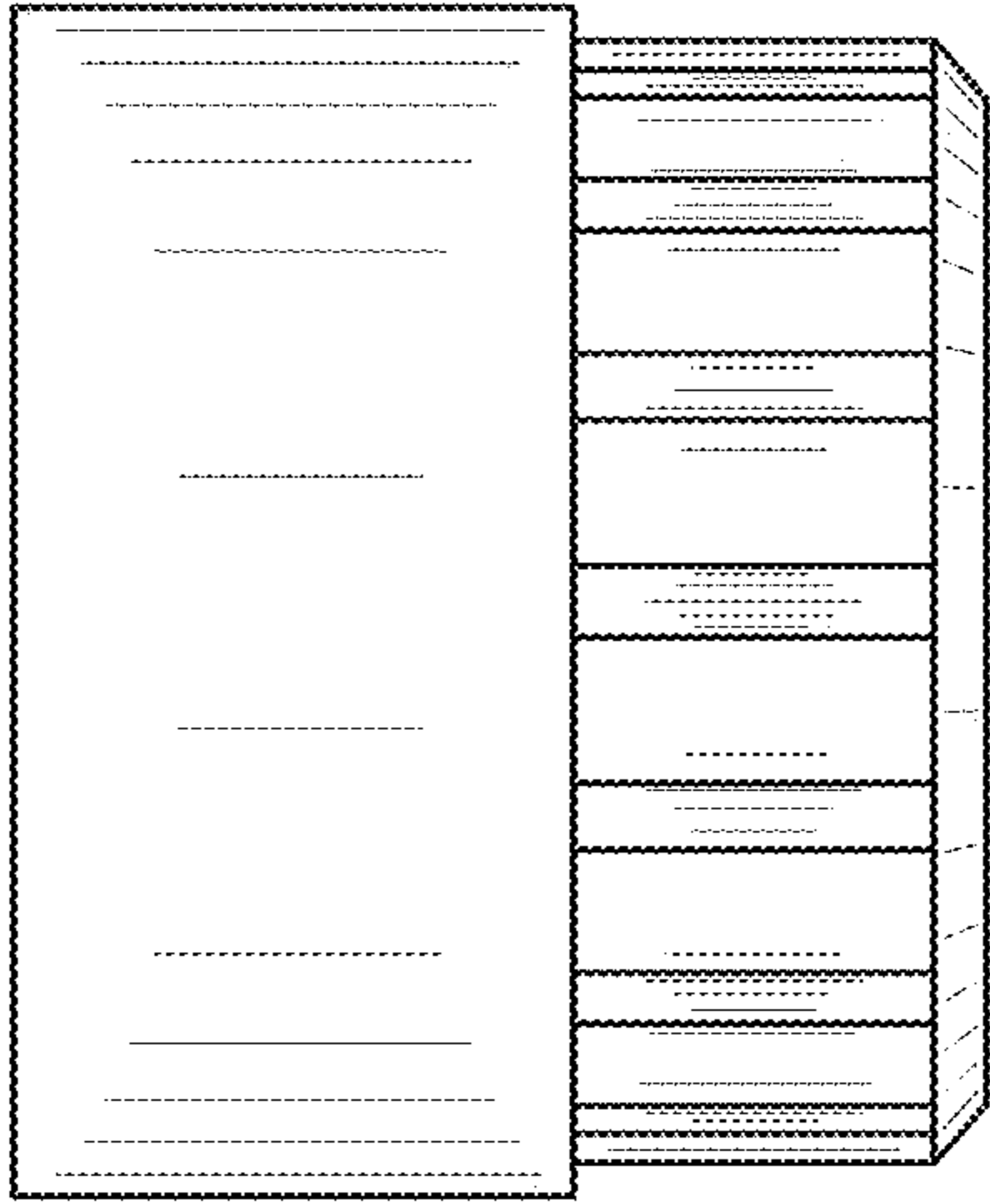


FIG. 5

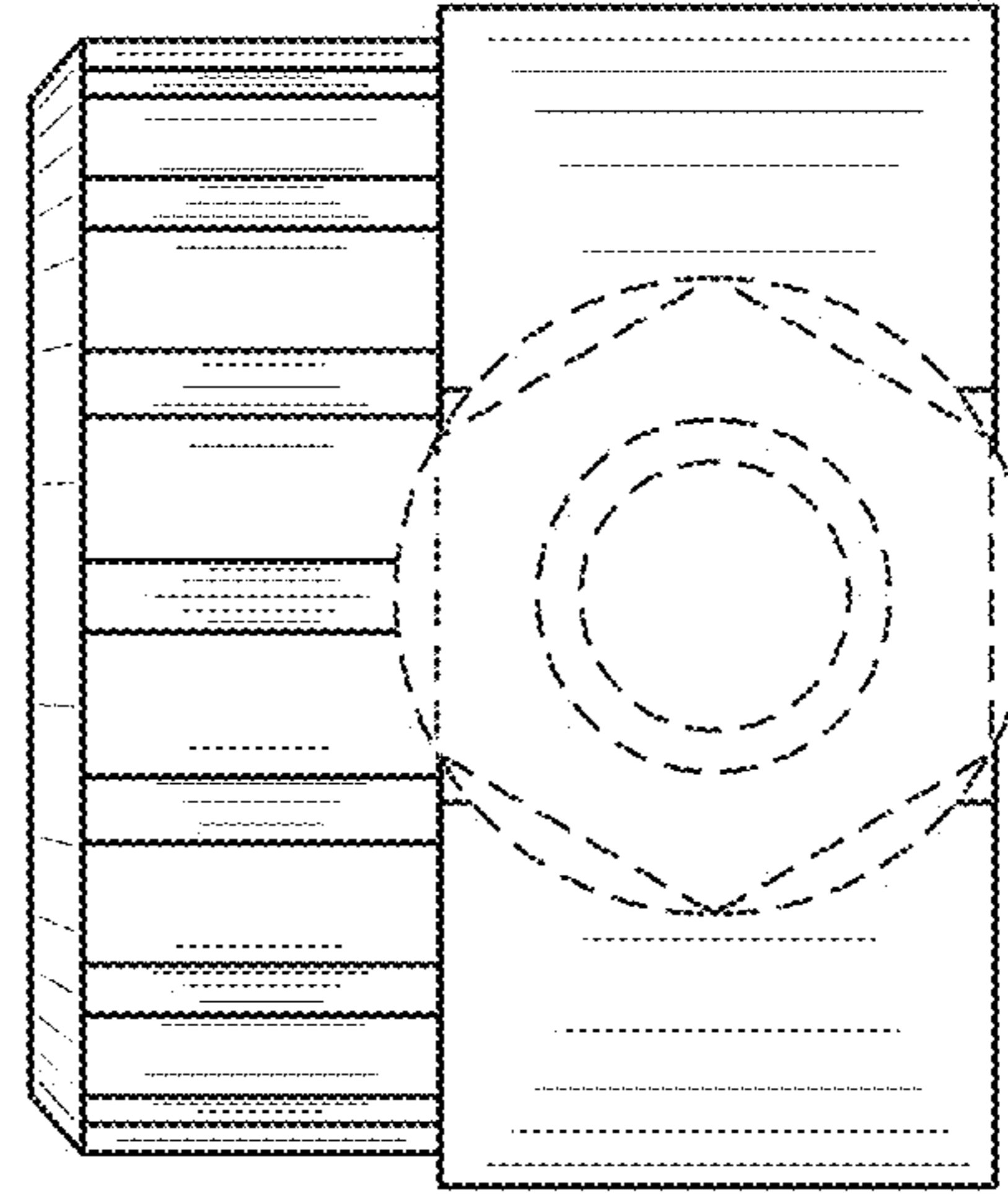


FIG. 6

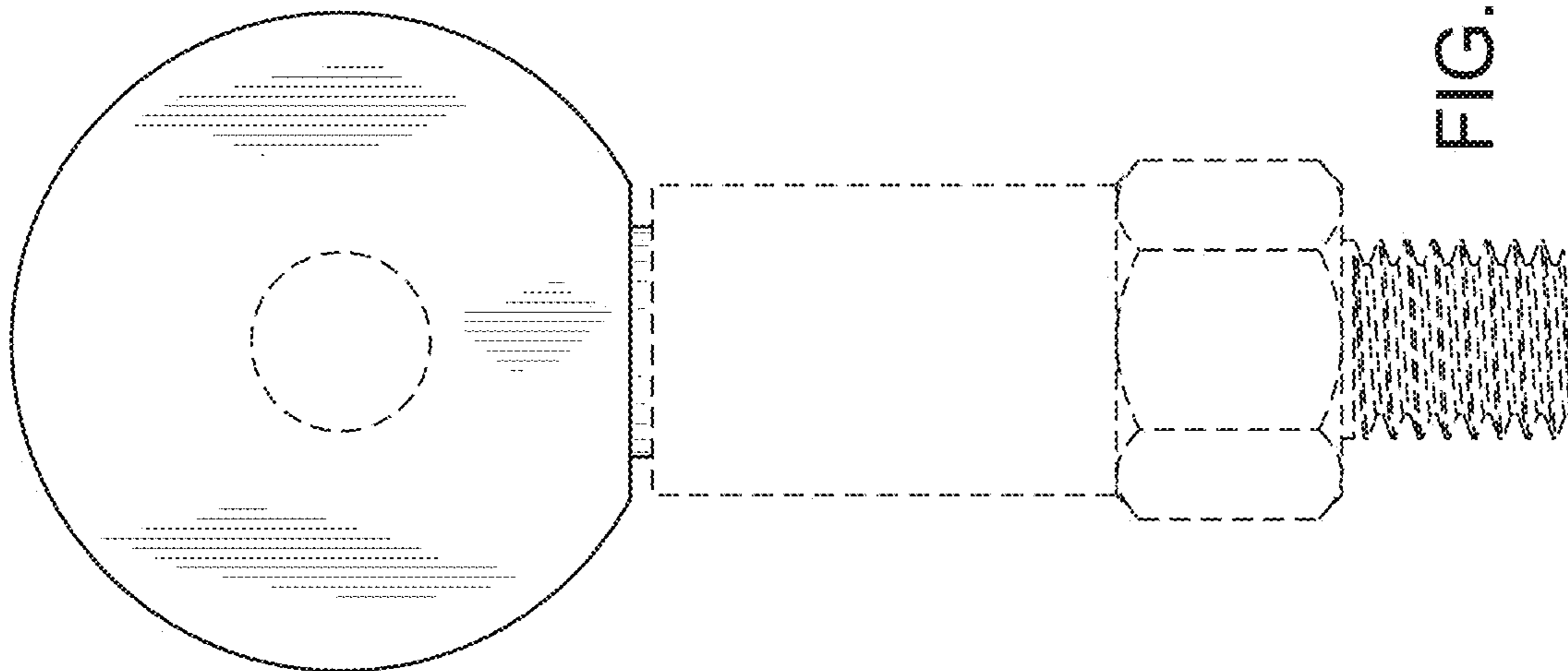


FIG. 4