



US00D885519S

(12) **United States Design Patent**
Suzuki et al.

(10) **Patent No.:** **US D885,519 S**
(45) **Date of Patent:** **** May 26, 2020**

(54) **FILTER**
(71) Applicant: **SINTOKOGIO, LTD.**, Nagoya (JP)
(72) Inventors: **Takashi Suzuki**, Nukata (JP); **Hiroyuki Amano**, Nukata (JP); **Masanori Uchida**, Nukata (JP); **Koh Saito**, Nukata (JP)

(73) Assignee: **SINTOKOGIO, LTD.** (JP)

(**) Term: **15 Years**

(21) Appl. No.: **29/637,945**

(22) Filed: **Feb. 23, 2018**

(30) **Foreign Application Priority Data**

Aug. 30, 2017 (JP) 2017-018634
Aug. 30, 2017 (JP) 2017-018635

(51) **LOC (12) Cl.** **23-01**

(52) **U.S. Cl.**
USPC **D23/209**

(58) **Field of Classification Search**
USPC D23/209, 235, 341, 358, 363-365;
D15/5
CPC F02M 35/04; F02M 35/10; F02M 35/024;
B01D 46/0002; B01D 46/10
See application file for complete search history.

(56) **References Cited**

U.S. PATENT DOCUMENTS

D306,640 S * 3/1990 Kott D23/209
D402,735 S * 12/1998 Kott D23/209
5,885,314 A * 3/1999 Oussoren B01D 46/0005
55/486
D421,649 S * 3/2000 Cappuyns D23/365
D440,294 S * 4/2001 Bilek D23/365

D458,670 S * 6/2002 Bosyi D23/365
D470,216 S * 2/2003 Gustafson D23/209
D497,972 S * 11/2004 Reynolds D23/209
D520,127 S * 5/2006 Khalil D23/365
D521,137 S * 5/2006 Khalil A47L 5/24
D23/365
8,439,204 B1 * 5/2013 Tidwell B01D 29/21
210/167.02
D724,179 S * 3/2015 Keenan D23/209
D825,029 S * 8/2018 Goldman D23/209

* cited by examiner

Primary Examiner — Brandon M Rosati
Assistant Examiner — John A Voytek

(74) *Attorney, Agent, or Firm* — Saidman DesignLaw Group, LLC

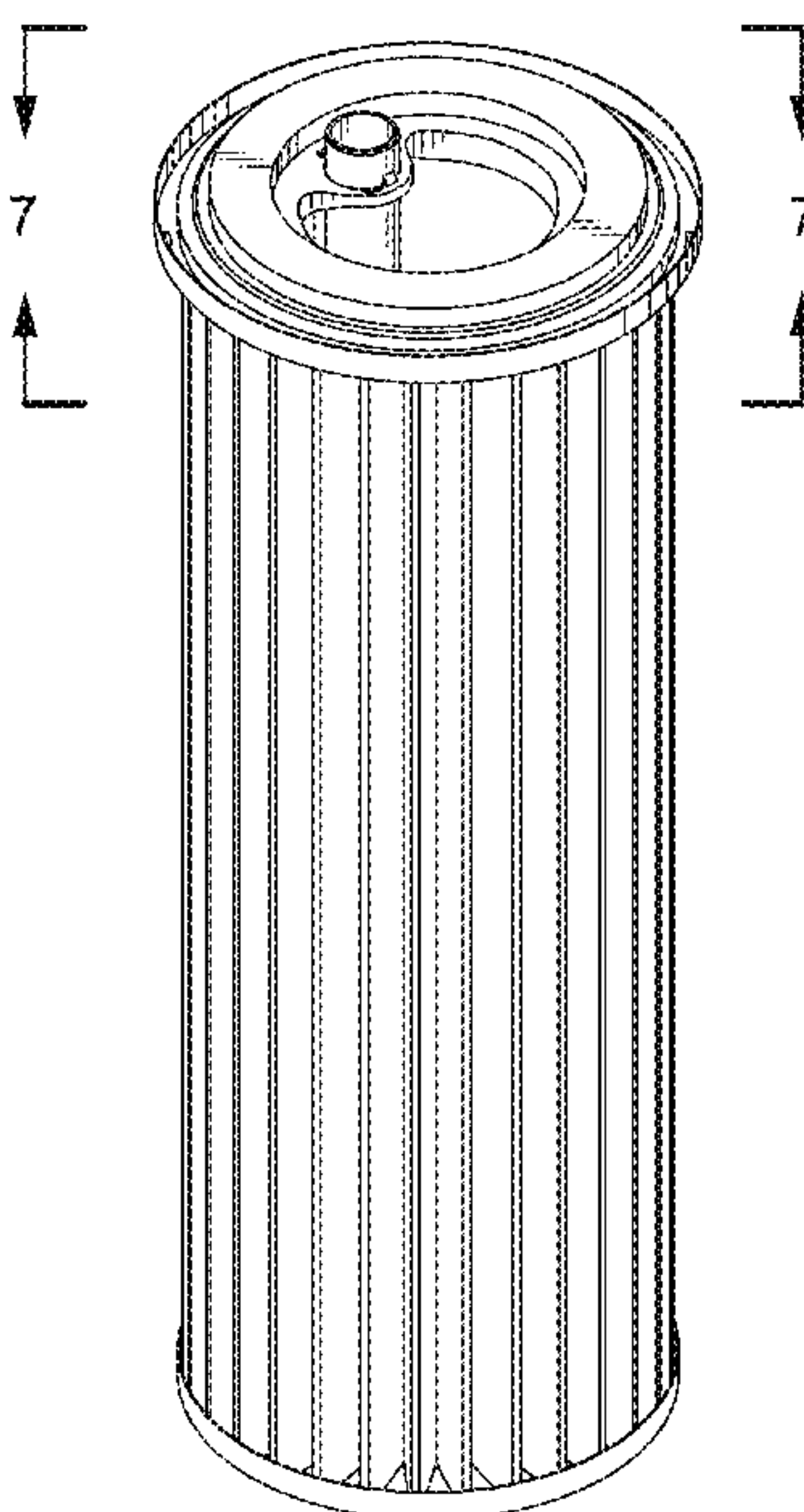
(57) **CLAIM**

The ornamental design for a filter, as shown and described.

DESCRIPTION

FIG. 1 is a top perspective view of a filter showing our new design;
FIG. 2 is a front view thereof, the rear view being a mirror image;
FIG. 3 is a left side view thereof, the right side view being a mirror image;
FIG. 4 is a top side view thereof;
FIG. 5 is a bottom view thereof;
FIG. 6 is a cross-sectional view taken along line 6-6 of FIG. 4;
FIG. 7 is an enlarged portion of FIG. 1; and,
FIG. 8 is an enlarged portion of FIG. 4.
The broken lines illustrate structure or features which form no part of the claimed design.
The dot-dash broken lines in FIGS. 7 and 8 illustrate cut lines to show partial enlargements and form no part of the claimed design.

1 Claim, 8 Drawing Sheets



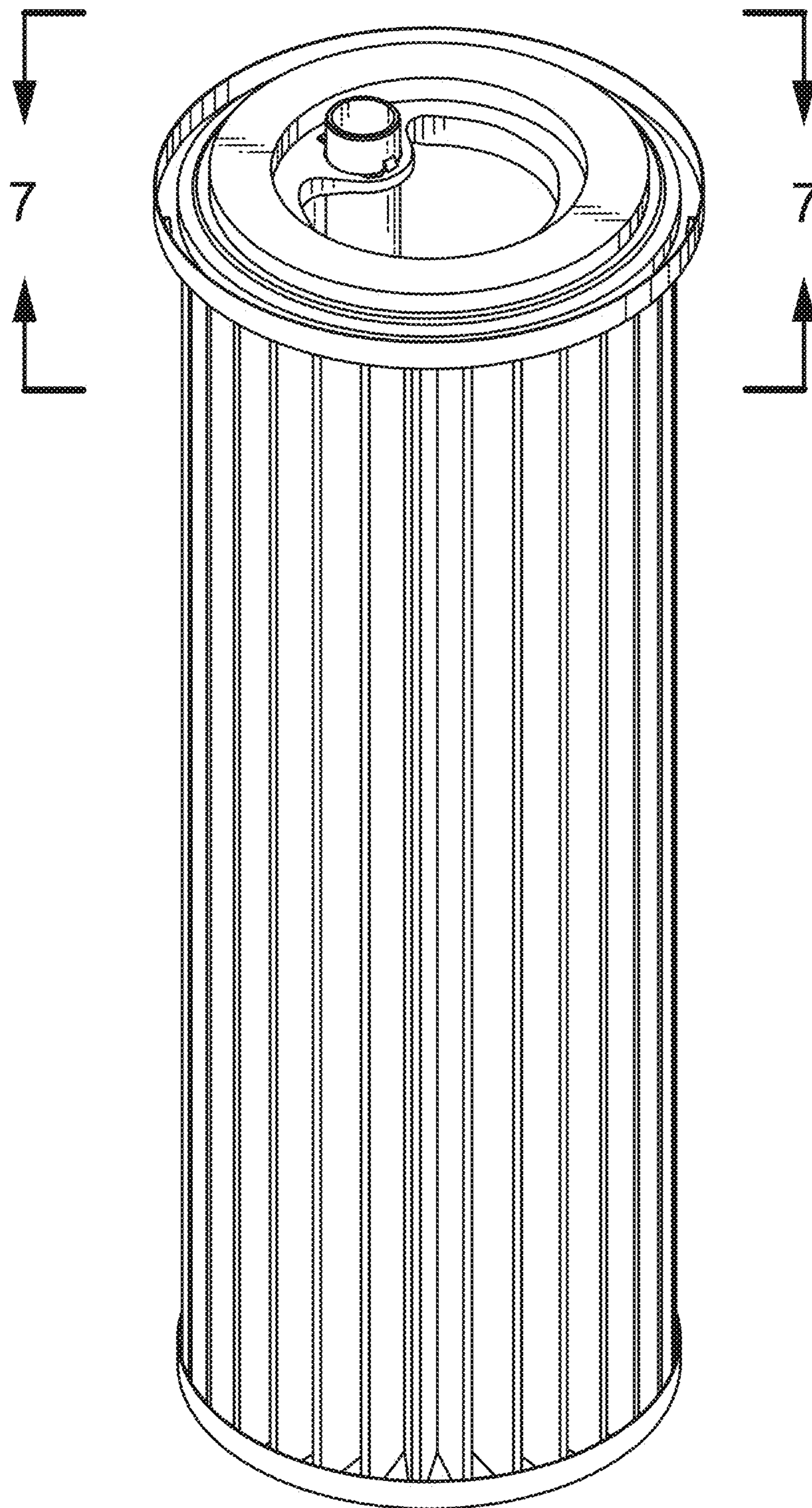


FIG. 1

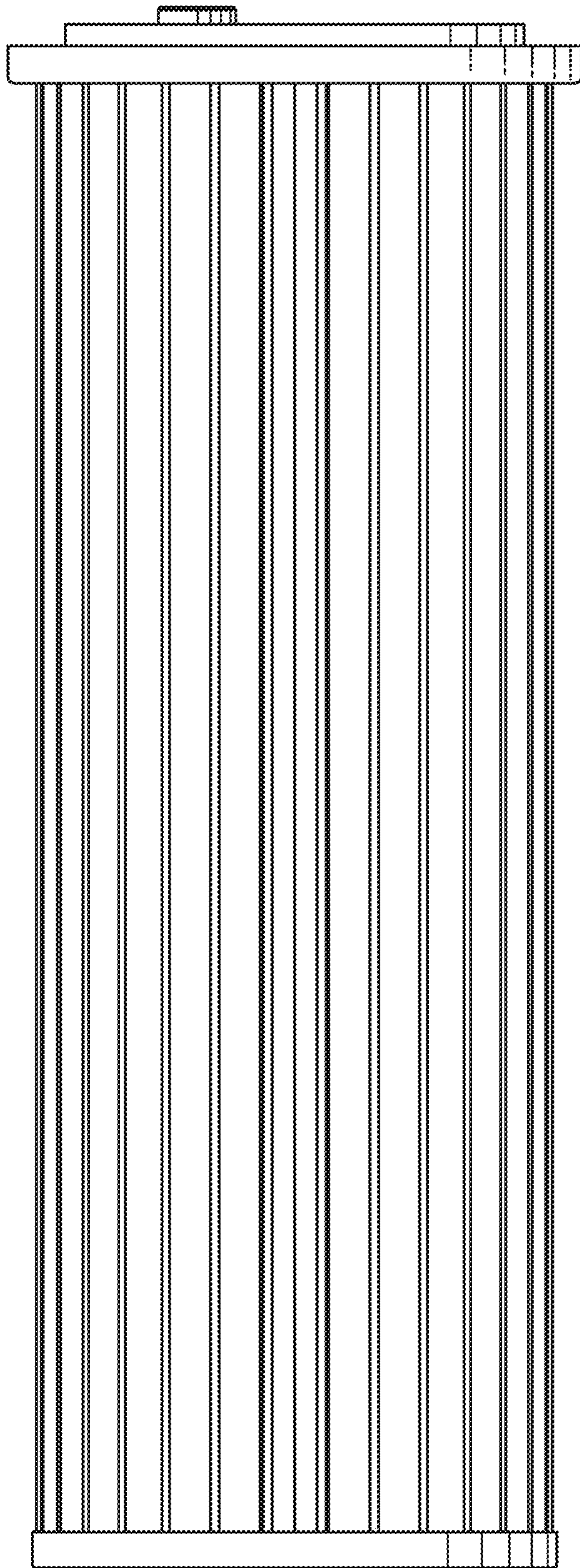


FIG. 2

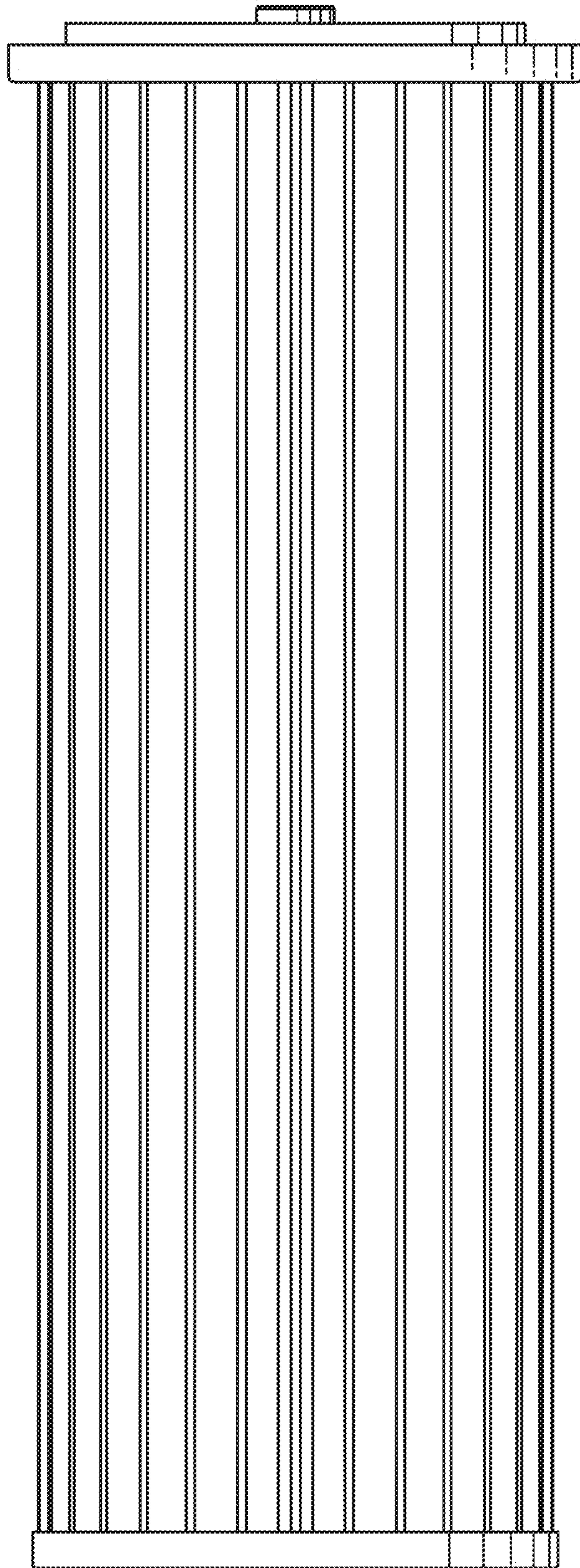


FIG. 3

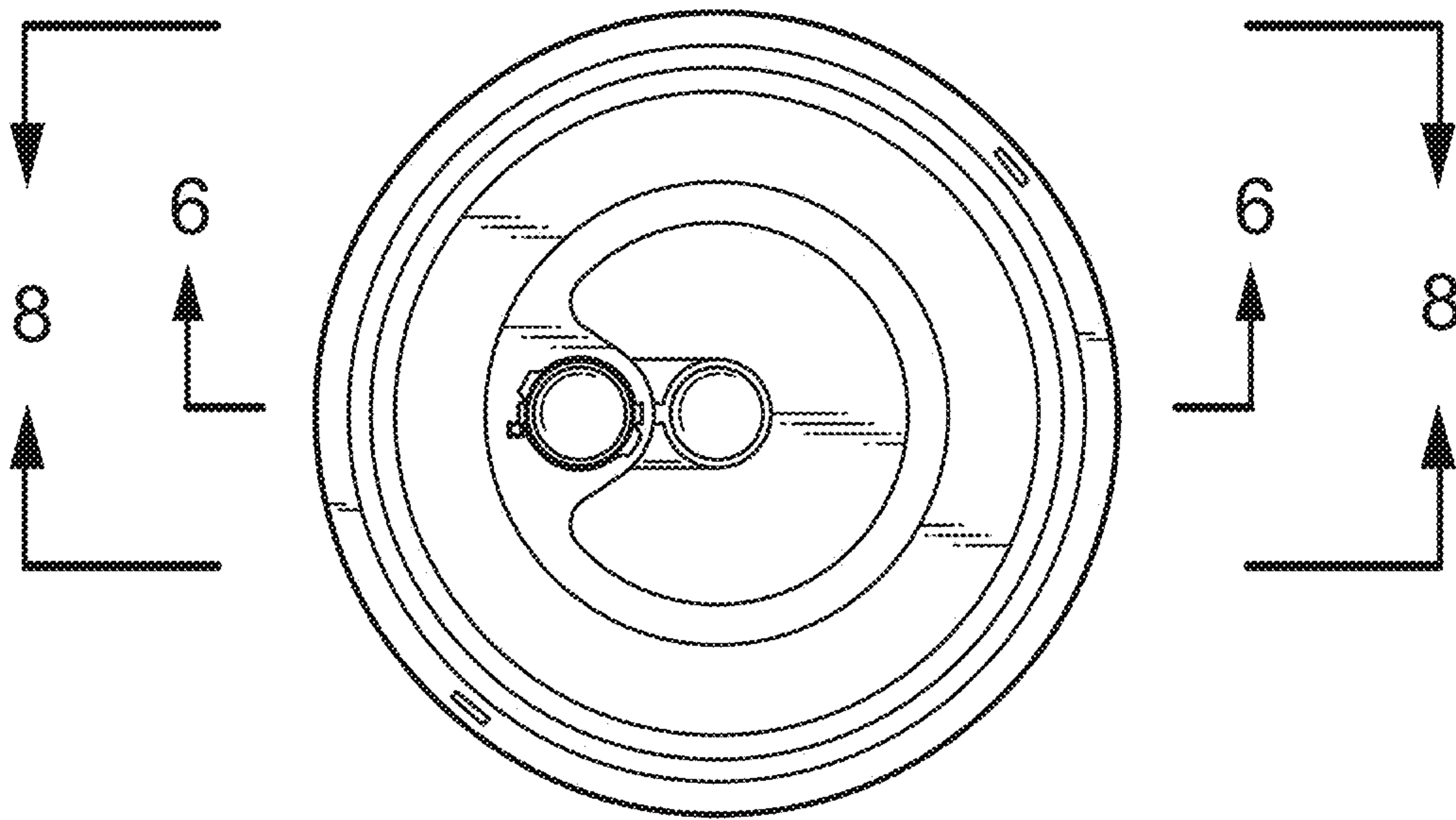


FIG. 4

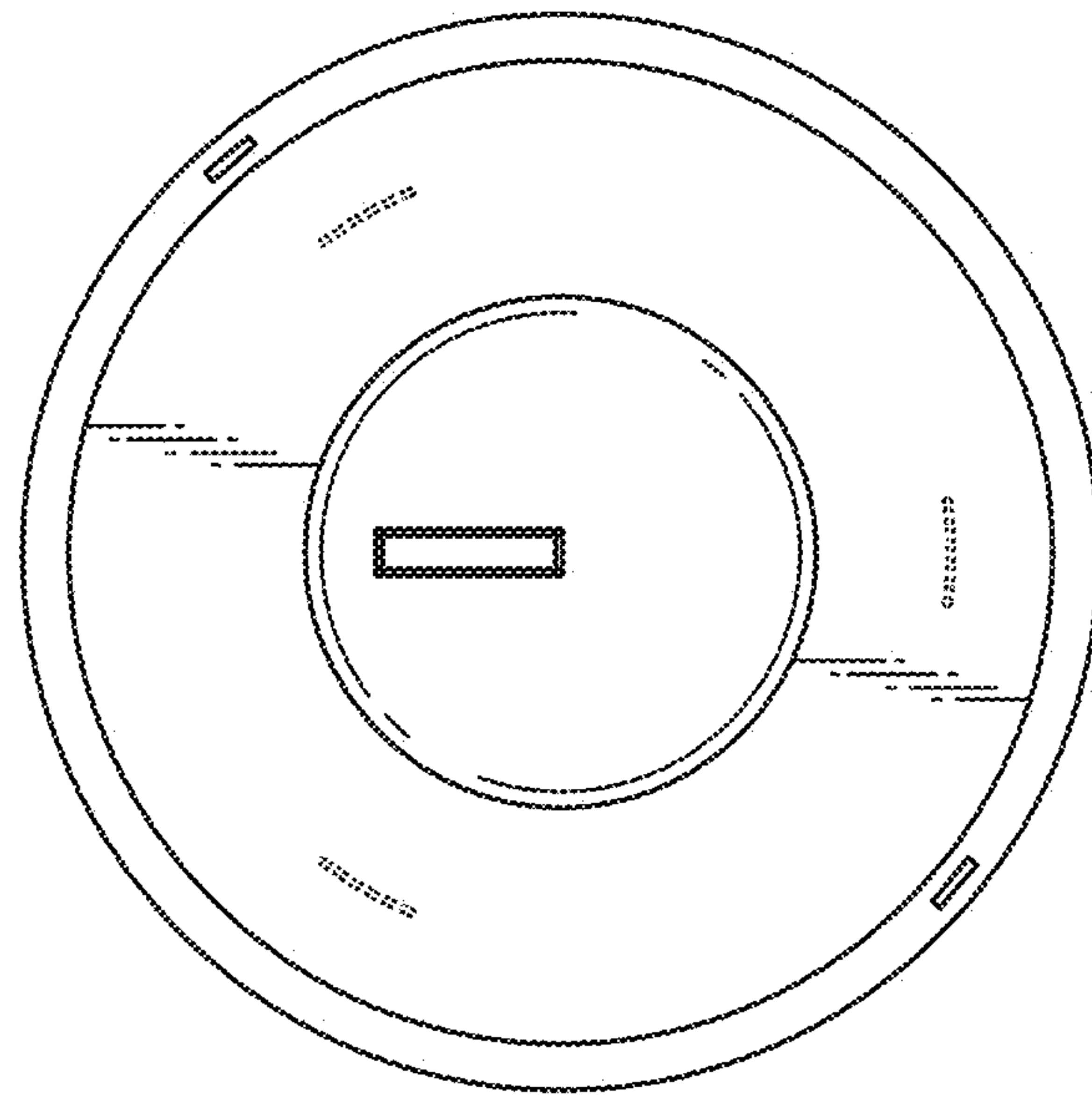


FIG. 5

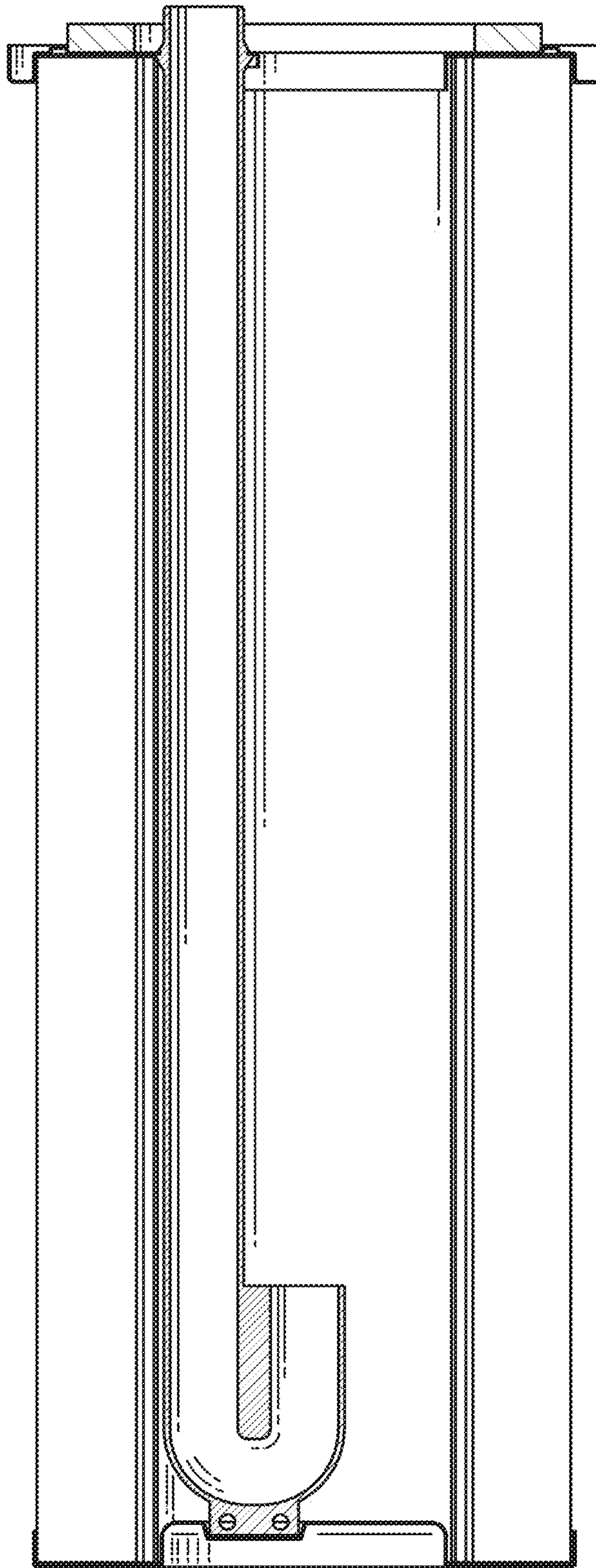


FIG. 6

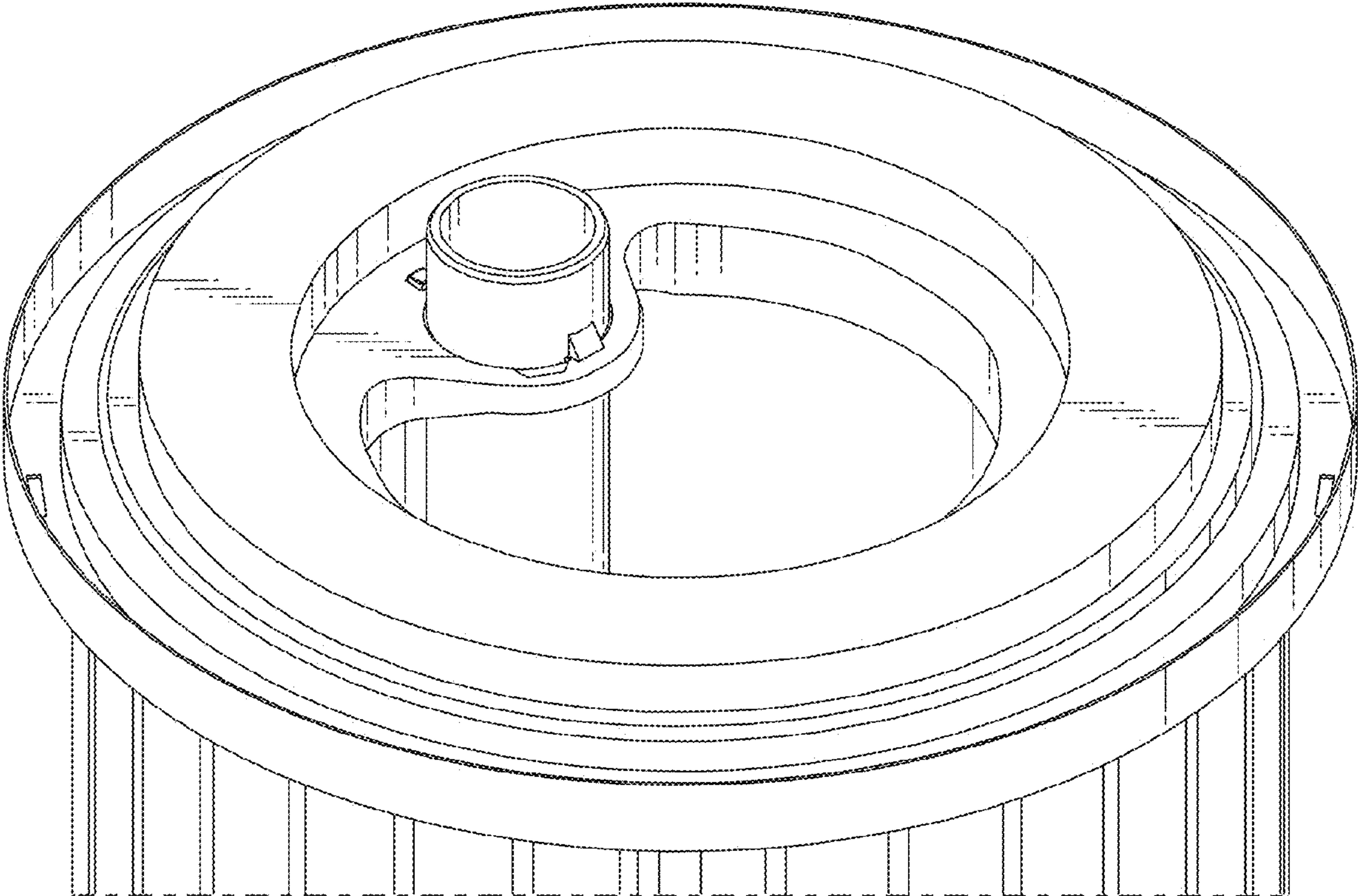


FIG. 7

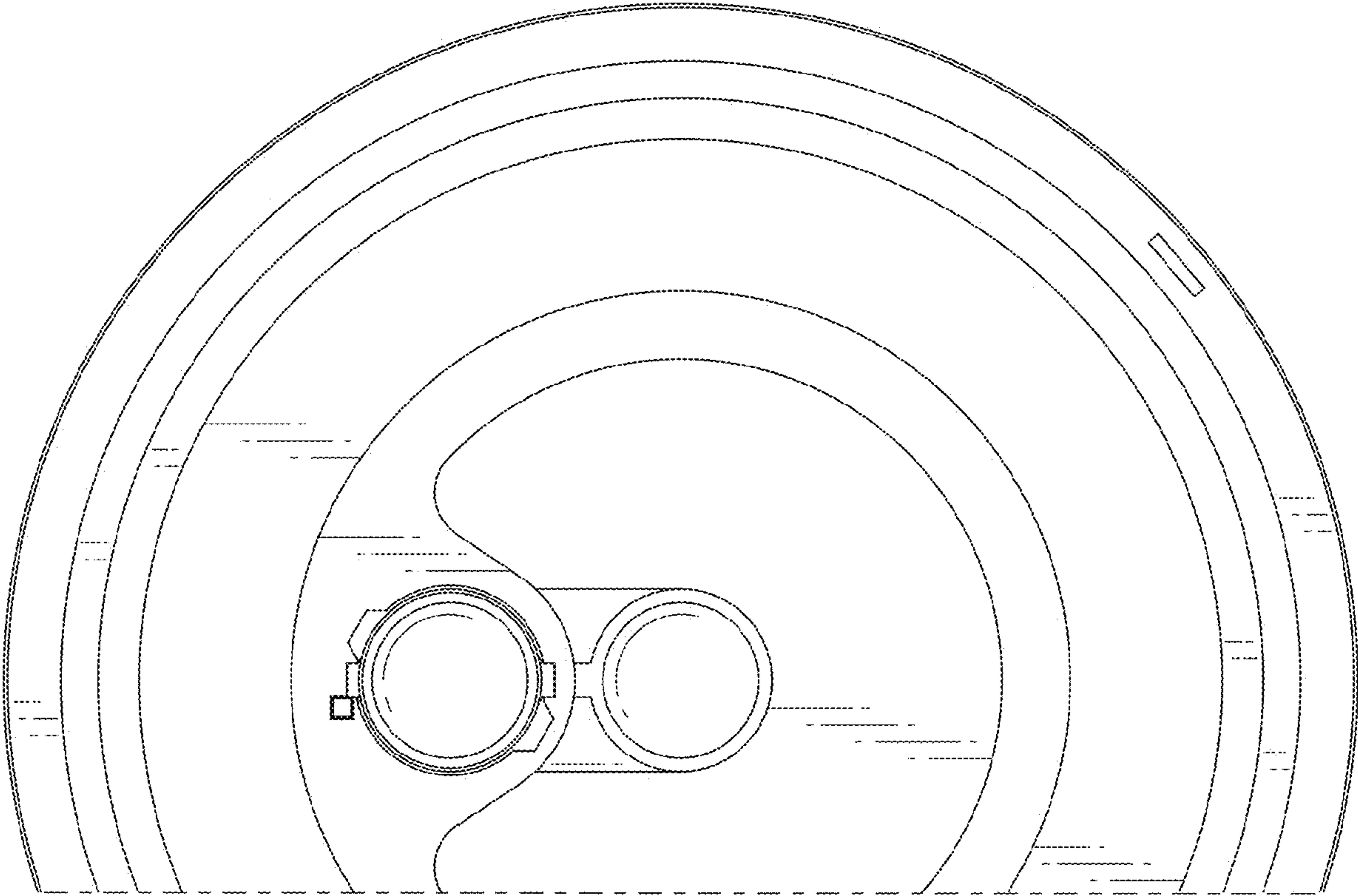


FIG. 8