



US00D885513S

(12) **United States Design Patent**
Nelson et al.

(10) **Patent No.:** **US D885,513 S**

(45) **Date of Patent:** **** May 26, 2020**

(54) **TARGET RETRIEVER SYSTEM**

(71) Applicant: **ACTION TARGET INC.**, Provo, UT (US)

(72) Inventors: **Jesse Nelson**, Lehi, UT (US); **Aaron Hanna**, Eastvale, CA (US); **Cameron Potter**, Fullerton, CA (US)

(73) Assignee: **ACTION TARGET INC.**, Provo, UT (US)

(**) Term: **15 Years**

(21) Appl. No.: **29/659,201**

(22) Filed: **Aug. 7, 2018**

Related U.S. Application Data

(63) Continuation-in-part of application No. 29/629,713, filed on Dec. 15, 2017.

(51) **LOC (12) Cl.** **22-04**

(52) **U.S. Cl.**
USPC **D22/113; D22/199; D21/721**

(58) **Field of Classification Search**
USPC D22/108–110, 113–114, 199; D21/302, D21/306, 307, 570, 573–575, 721; D20/31, 41; D10/86; D24/133, 140
CPC . F41J 1/00; F41J 1/02; F41J 5/00; F41J 5/12; F41J 5/14; F41J 5/16; F41J 7/02
See application file for complete search history.

(56) **References Cited**

U.S. PATENT DOCUMENTS

D404,746 S	*	1/1999	Hormann	D15/148
D432,551 S	*	10/2000	Luke	D15/199
D434,054 S	*	11/2000	Luke	D15/199
D450,257 S	*	11/2001	Bressler	D10/86
D522,894 S	*	6/2006	Stowers	D10/86
D538,864 S	*	3/2007	Crippen	D21/721

(Continued)

OTHER PUBLICATIONS

Shooting Range Industries, Target Retrieval System, posted at YouTube, posting date Aug. 13, 2014. Site visited Mar. 12, 2019. URL: <https://www.youtube.com/watch?v=A405_83ZanQ> (Year: 2014).*

(Continued)

Primary Examiner — Kevin K Rudzinski

Assistant Examiner — Kathleen L Jones

(74) *Attorney, Agent, or Firm* — Bateman IP

(57) **CLAIM**

We claim the ornamental design for a target retriever system, as shown and described.

DESCRIPTION

The file of this patent contains at least one photograph executed in color. Copies of this patent with color photograph(s) will be provided by the Office upon request and payment of the necessary fee.

FIG. 1 is a perspective view of a target retriever system showing the new design;

FIG. 2 is a front end view of target retriever system of FIG. 1 showing the new design;

FIG. 3 is a perspective rear view of the target retriever system of FIG. 1 showing the new design;

FIG. 4 is a right side view of the target retriever system of FIG. 1 showing the new design;

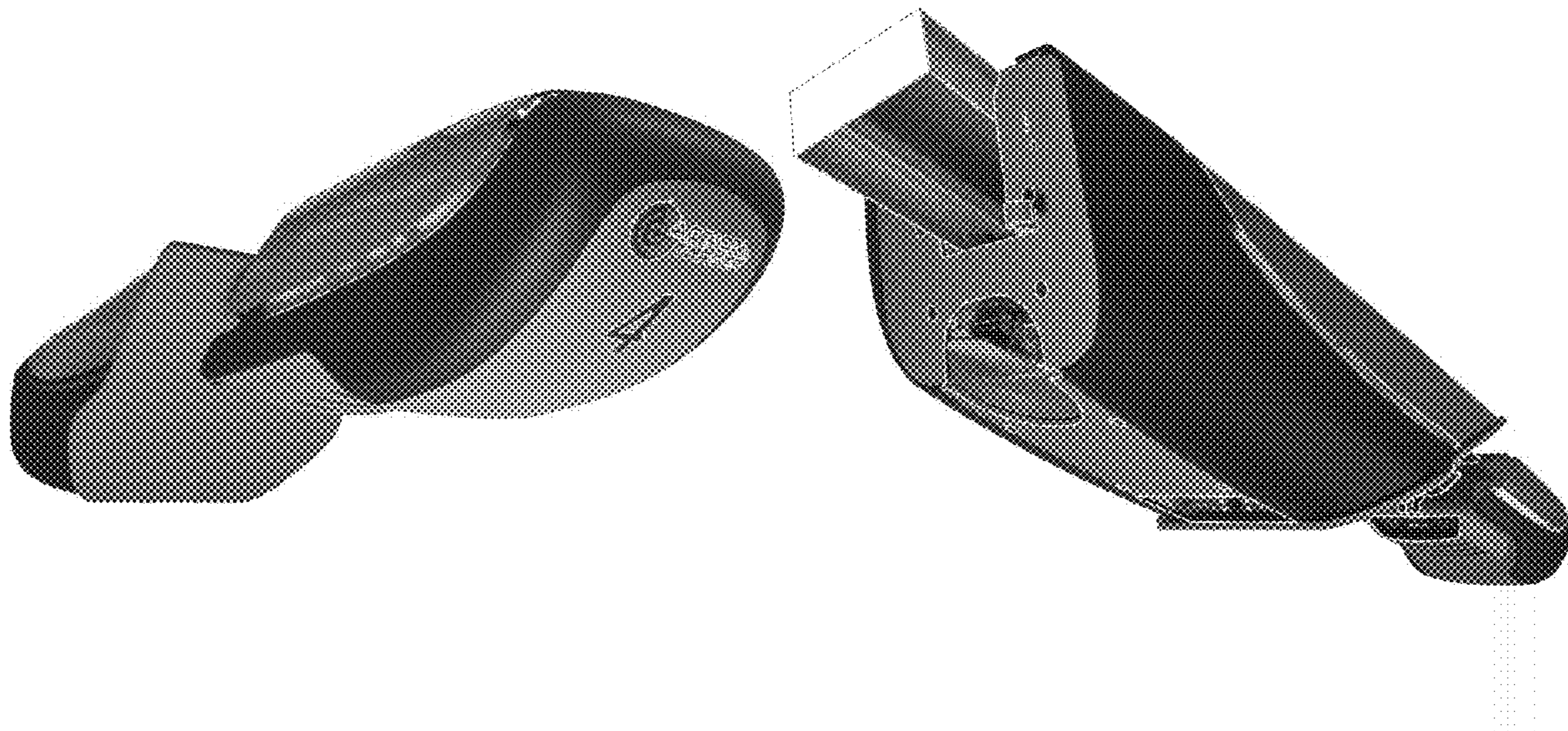
FIG. 5 is a left side view of the target retriever system of FIG. 1 showing the new design;

FIG. 6 is a perspective top view of the target retriever system of FIG. 1 showing the new design; and,

FIG. 7 is a bottom view of the target retriever system of FIG. 1 showing the new design.

The broken lines are included to show the boundaries of the claimed design where the broken lines and all features and surfaces contained within the broken lines form no part thereof.

1 Claim, 7 Drawing Sheets
(7 of 7 Drawing Sheet(s) Filed in Color)



(56)

References Cited

U.S. PATENT DOCUMENTS

D553,032	S	*	10/2007	Yuen	D10/86
D598,543	S	*	8/2009	Vogel	D24/133
D628,289	S	*	11/2010	Romero	D24/133
D628,290	S	*	11/2010	Romero	D24/133
D641,453	S	*	7/2011	Stone	D22/199
D641,468	S	*	7/2011	Ruiz, Sr.	D24/133
D686,517	S	*	7/2013	Chen	D10/86
D736,923	S	*	8/2015	Snow	D24/146
D766,508	S	*	9/2016	Wang	D24/133
D795,985	S	*	8/2017	Frederickson	D22/108
D806,230	S	*	12/2017	Johnson	D24/112
D828,899	S	*	9/2018	Pierce	D22/108
D836,639	S	*	12/2018	Volta	D14/431
2019/0212107	A1	*	7/2019	Sharp	F41J 5/04

OTHER PUBLICATIONS

Action Target, AWD Pro Target Retriever / Ann Arbor Arms, posted at YouTube, posting date Jun. 15, 2016. Site visited Mar. 12, 2019. URL: <<https://www.youtube.com/watch?v=POK17n44Dhg>> (Year: 2016).*

Action Target, Genesis: A New Era in Shooting Range Technology, posted at YouTube, posting date Jan. 14, 2019. Site visited Mar. 12,

2019. URL: <https://www.youtube.com/watch?v=k_b7TiPoWbY> (Year: 2019).*

Action Target Inc.'s Mancom(TM) Touch Plus retriever, available at <<https://www.actiontarget.com/products/mancom-touch-plus/>>.

Action Target Inc.'s Mancom(TM) Touch-N-Go retriever, available at <<https://www.actiontarget.com/products/mancom-touch-n-go/>>.

Action Target Inc.'s SRET retriever, available at <<https://www.actiontarget.com/products/sret/>>.

Savage Range System's Basic Overhead Target Rail System, available at <<http://www.savagerangesystems.com/targetretrievalsystems/>>.

Meggitt Target Retrieval systems, available at <<https://meggitttrainingsystems.com/live-fire-training/law-enforcement-commercial-live-fire/target-retrieval-systems/>>.

Range Systems, "CR-2TL Target Retrieval System" product literature, accessed at <<https://www.range-systems.com/wp-content/uploads/2017/06/CR-2TLTarget-Retrieval-System.pdf>> at least as early as Mar. 8, 2017.

Range Systems, "CR-2 Target Retrieval System" product literature, accessed at <<https://www.range-systems.com/wp-content/uploads/2017/06/CR-2-Target-Retrieval-System-PDS.pdf>> at least as early as Mar. 8, 2017.

Action Target Inc.'s Mancom(TM) AWD retriever, available at <https://www.actiontarget.com/products/awd_pro/>.

* cited by examiner

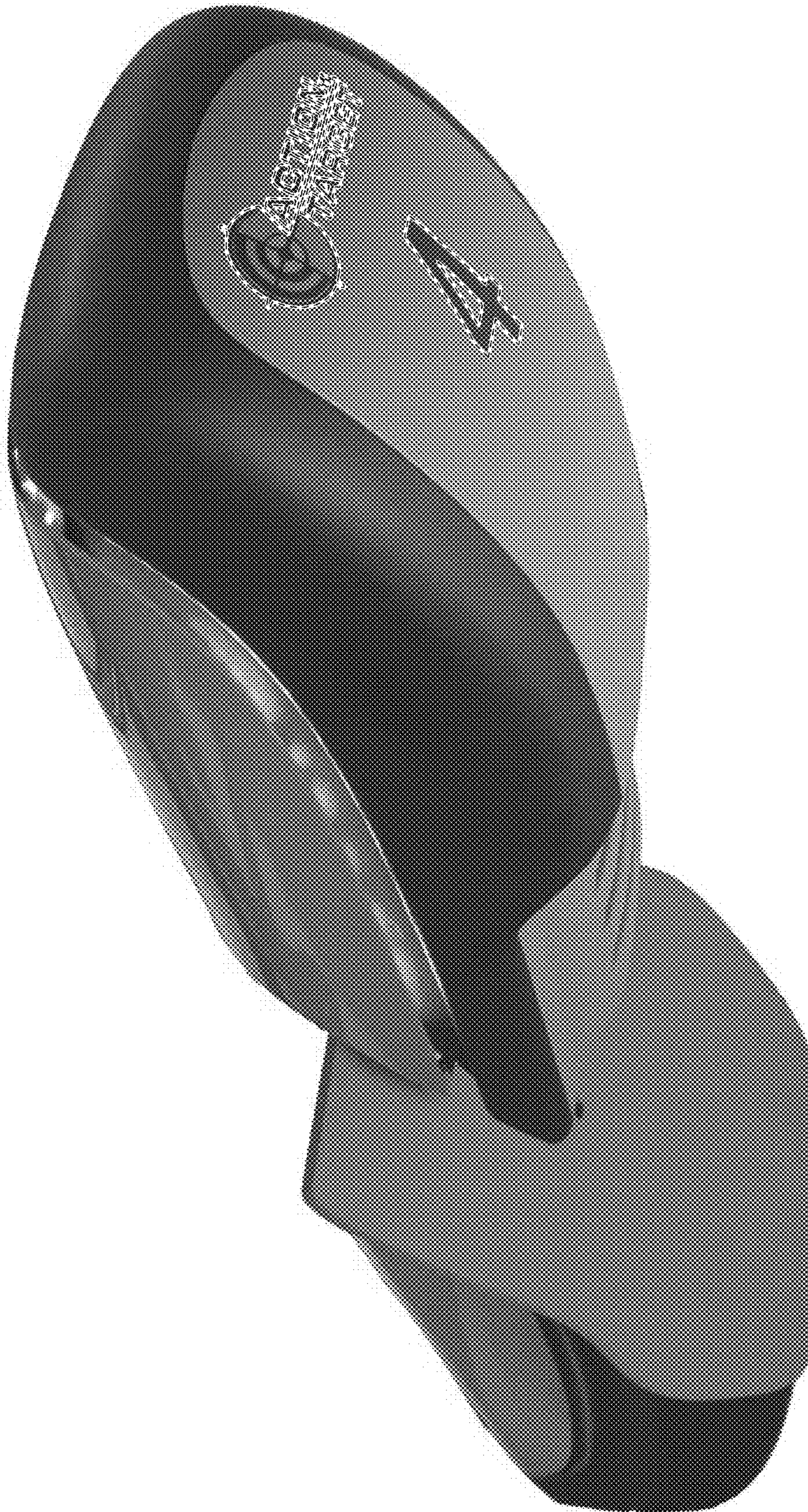


FIG. 1



FIG. 2

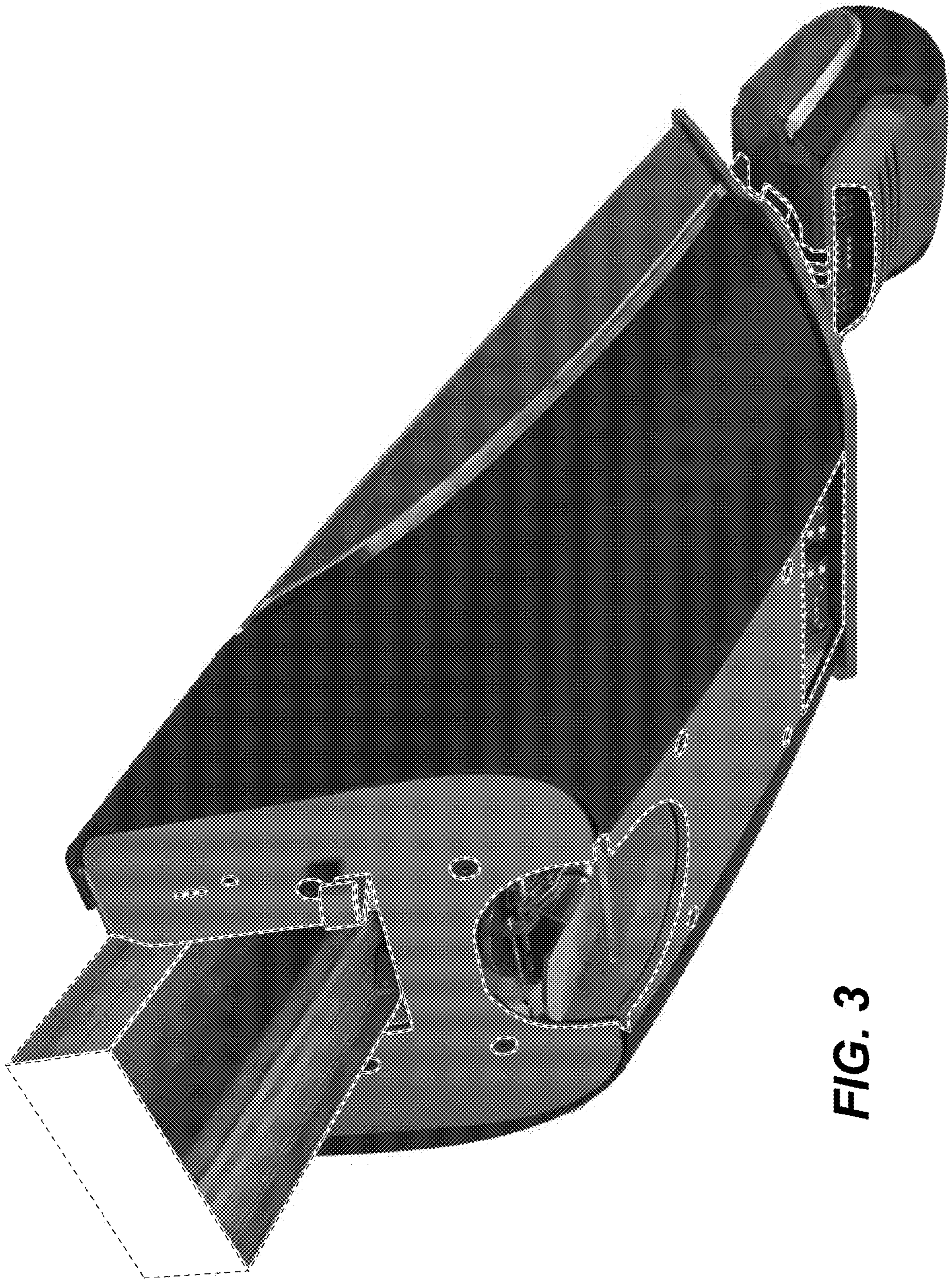


FIG. 3

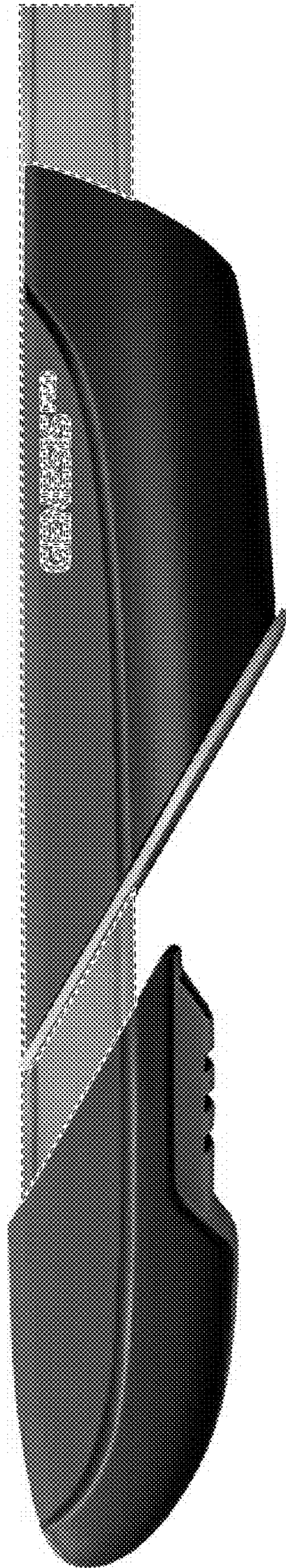


FIG. 4

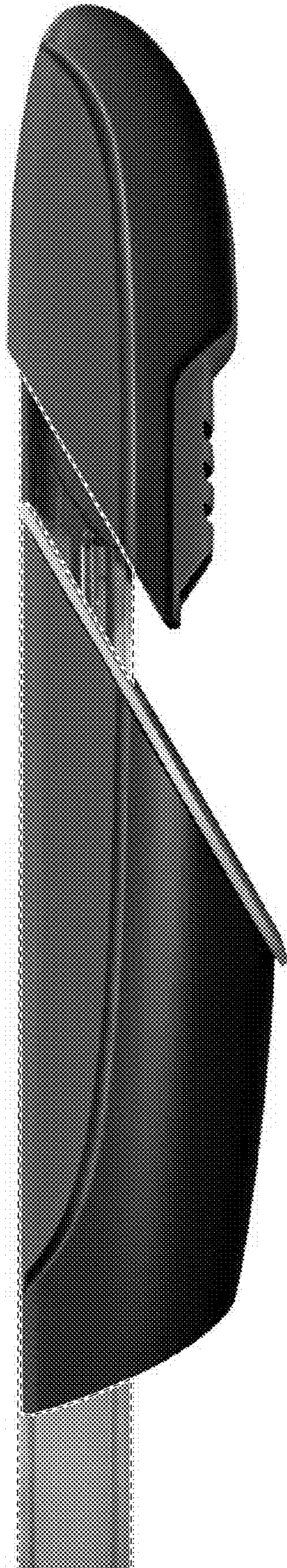


FIG. 5

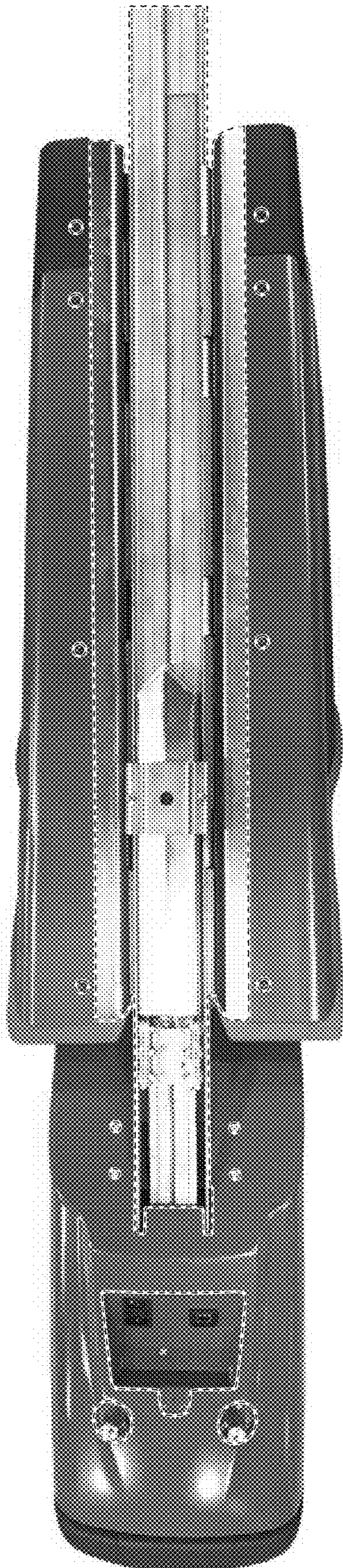


FIG. 6

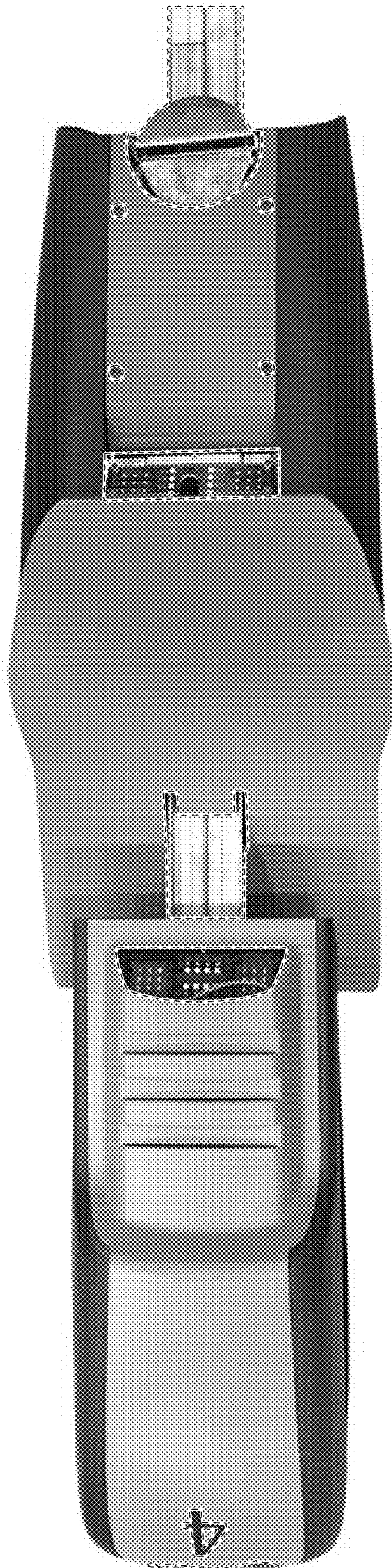


FIG. 7