



US00D885512S

(12) **United States Design Patent**
Hague et al.

(10) **Patent No.:** **US D885,512 S**

(45) **Date of Patent:** **** May 26, 2020**

(54) **TARGET MEDIA HOLDER**
(71) Applicant: **Evolve Range Solutions, Inc.**, New Castle, IN (US)

4,151,996 A 5/1979 Lee et al.
4,317,572 A 3/1982 Iseli
4,540,182 A 9/1985 Clement
4,548,414 A 10/1985 Denis
4,583,744 A 4/1986 Tolliver et al.

(Continued)

(72) Inventors: **Douglas Lee Hague**, Covington, OH (US); **William Charles Flock**, Tipp City, OH (US)

FOREIGN PATENT DOCUMENTS

(73) Assignee: **EVOLVE RANGE SOLUTIONS, INC.**, New Castle, IN (US)

DE 8621651 U1 6/1988
DE 29915933 U1 9/2000

(Continued)

(**) Term: **15 Years**

OTHER PUBLICATIONS

(21) Appl. No.: **29/641,337**

Nicholas C, [GAOS 2018] American Range Systems Brought Out the Coffin, posted at the Firearm Blog, posting date Feb. 15, 2018. Site visited Apr. 10, 2019. URL: <<https://www.thefirearmblog.com/blog/2018/02/15/american-range-sytems-coffin/>> (Year: 2018).*

(Continued)

(22) Filed: **Mar. 21, 2018**

(51) **LOC (12) Cl.** **22-04**

(52) **U.S. Cl.**
USPC **D22/113**

(58) **Field of Classification Search**
USPC D22/113-114, 199; D21/790, 796;
D7/334
CPC F41J 1/10; F41J 1/00; F41J 5/14; F41J
3/0004
See application file for complete search history.

Primary Examiner — Kevin K Rudzinski
Assistant Examiner — Kathleen L Jones
(74) *Attorney, Agent, or Firm* — Thomas E. Lees, LLC

(57) **CLAIM**

The ornamental design for a target media holder, as shown and described.

(56) **References Cited**

DESCRIPTION

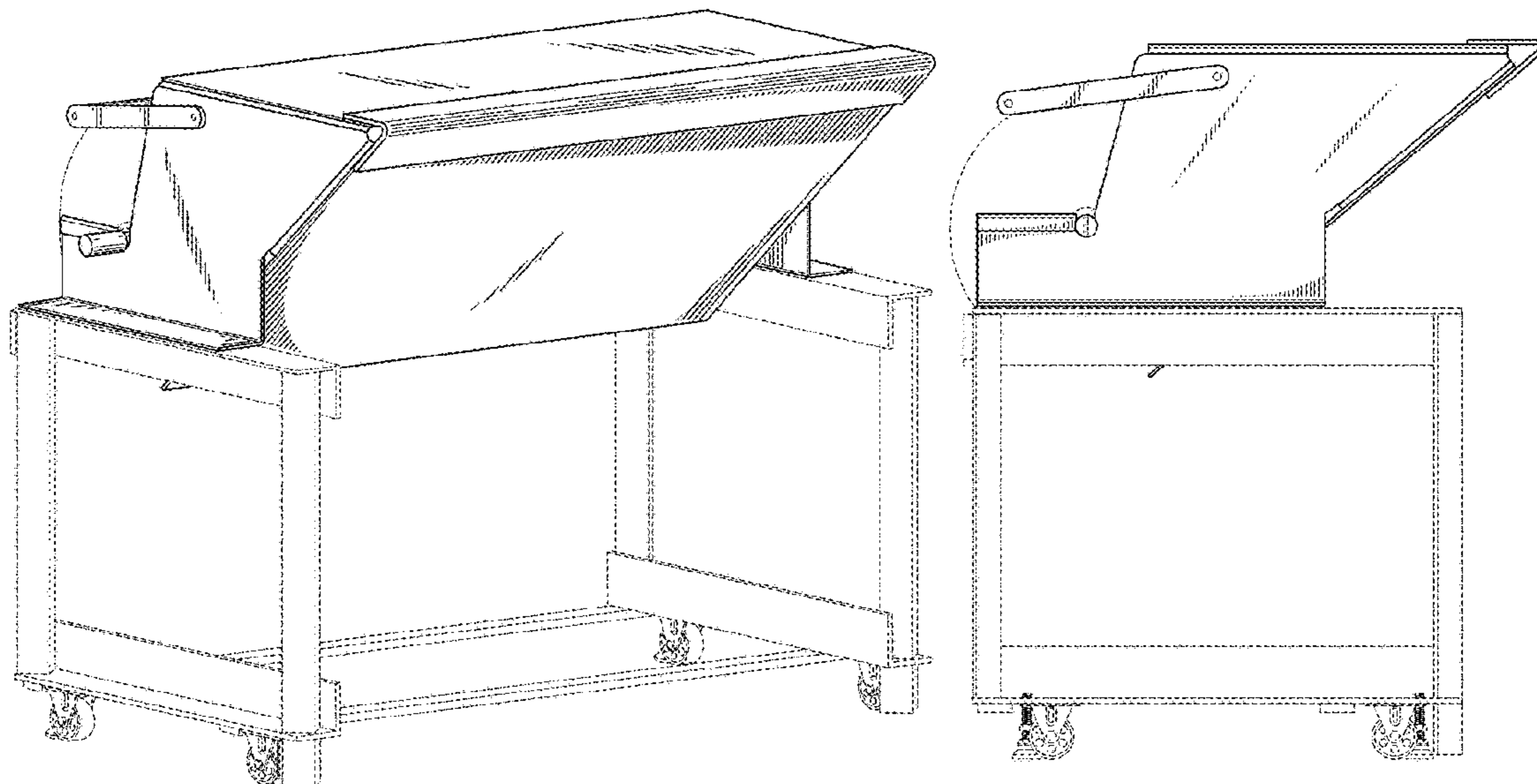
U.S. PATENT DOCUMENTS

- 398,186 A * 2/1889 Reh fuss F41J 1/10
273/404
- 1,981,293 A 11/1934 Varrelman
- 2,034,839 A 3/1936 Sheffield
- 2,048,155 A 7/1936 Armantrout
- 2,466,686 A 4/1949 Connelly
- 3,495,829 A * 2/1970 Booth D06P 1/6426
273/371
- 3,519,272 A 7/1970 De Vogelaere
- D228,186 S * 8/1973 Wortley D22/113
- 3,914,879 A 10/1975 Taylor, III et al.
- D241,246 S * 8/1976 Vogelaere D22/113

FIG. 1 is a perspective front view of a target media holder; FIG. 2 is a right side view thereof; FIG. 3 is a left side view thereof; FIG. 4 is a front view thereof; FIG. 5 is a back view thereof; FIG. 6 is a top view thereof; and, FIG. 7 is a bottom view thereof.

The broken lines showing portions of the article form no part of the claimed design.

1 Claim, 7 Drawing Sheets



(56)

References Cited

U.S. PATENT DOCUMENTS

D284,422 S * 7/1986 Pomaville D22/199
 D287,530 S * 12/1986 Magnuson D22/113
 D300,162 S * 3/1989 Ravalli D22/113
 4,813,684 A * 3/1989 Bruno F41J 1/10
 273/403
 D329,680 S * 9/1992 Burn D22/113
 5,169,157 A 12/1992 Salmon
 D373,169 S * 8/1996 Kokko D22/100
 5,577,733 A 11/1996 Downing
 5,829,753 A 11/1998 Wisner
 D412,425 S * 8/1999 Pai D7/334
 D565,824 S * 4/2008 Mueller D22/113
 D635,814 S * 4/2011 Leavens D7/334
 8,141,878 B2 3/2012 Kuyl
 8,608,169 B2 12/2013 Saunders et al.
 D735,833 S * 8/2015 Winstead D22/113
 9,255,773 B1 2/2016 Hall
 9,534,873 B2 1/2017 Urban
 10,203,181 B1 2/2019 Choi
 D842,021 S * 3/2019 Wenzel D7/334
 10,267,602 B2 * 4/2019 Carrillo Fuentesvilla .. F41J 1/10
 10,274,291 B2 * 4/2019 Davis F41J 3/0004
 10,371,316 B2 * 8/2019 Barenbrugge A63B 71/0622
 2002/0125645 A1 9/2002 Baker
 2002/0158413 A1 10/2002 Dehart
 2007/0013138 A1 * 1/2007 Hinnant F41J 1/01
 273/407

2008/0211190 A1 9/2008 Smith
 2009/0026708 A1 1/2009 Sitton
 2011/0068538 A1 * 3/2011 Kuyl F41J 1/10
 273/407
 2011/0175293 A1 * 7/2011 Brune F41J 1/10
 273/406
 2011/0227288 A1 * 9/2011 Krickovic A63F 9/0204
 273/348
 2017/0059283 A1 3/2017 Parrish
 2018/0202774 A1 * 7/2018 Sitzman F41J 5/02
 2019/0293391 A1 * 9/2019 Hague F41J 1/10
 2019/0360785 A1 * 11/2019 Bitkowski F41J 1/10

FOREIGN PATENT DOCUMENTS

FR 2540619 A1 * 8/1984 F41J 1/10
 JP 09229599 A 9/1997
 JP 2015146948 A 8/2015
 WO 9415166 A1 12/1993

OTHER PUBLICATIONS

U.S. Pat. No. 840,610; Easdale; "Target"; issued Jan. 8, 1907.
 Graham, Mark S.; Office Action for U.S. Appl. No. 16/361,060;
 dated Sep. 13, 2019; United States Patent and Trademark Office;
 Alexandria, VA.

* cited by examiner

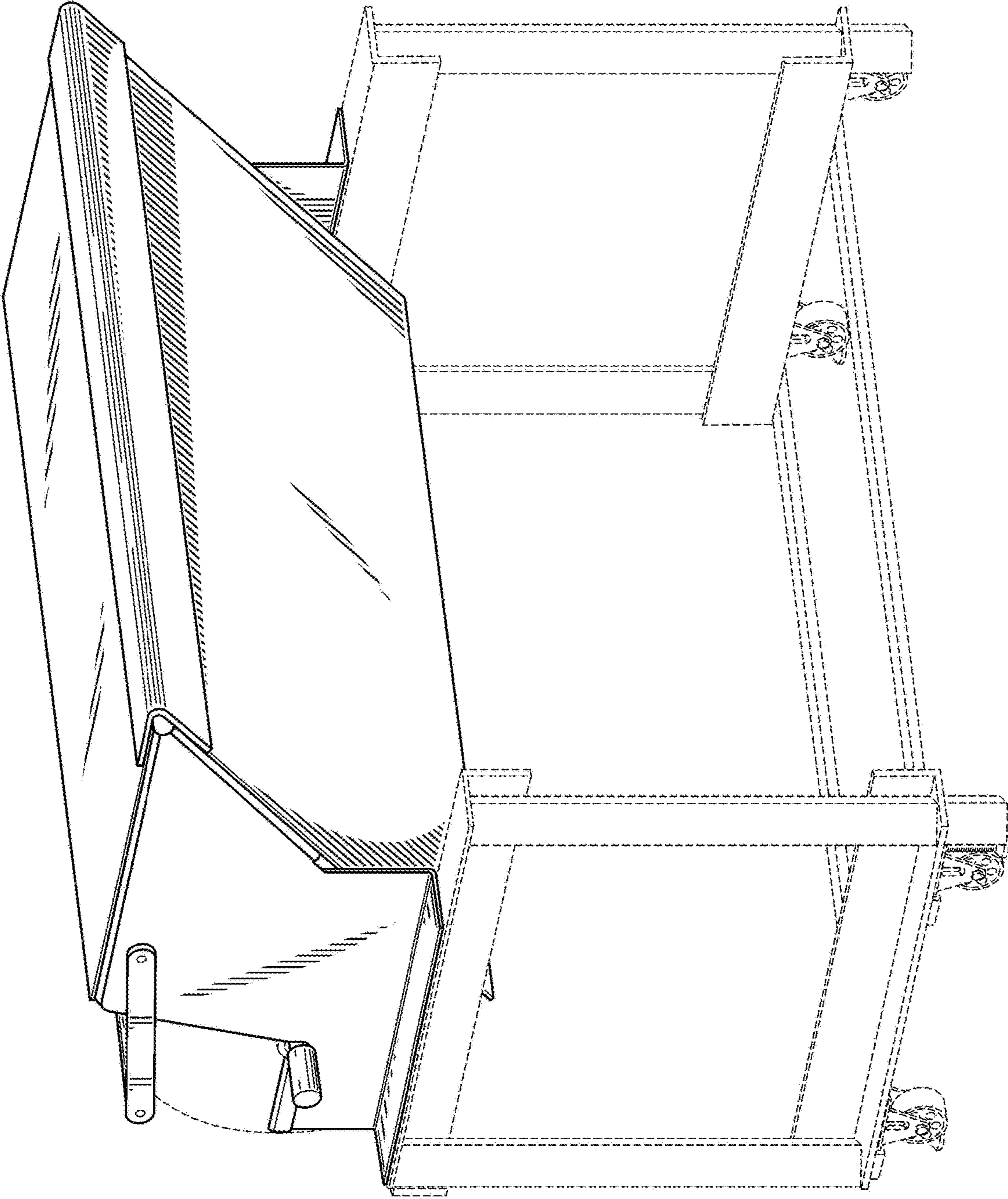


FIG. 1

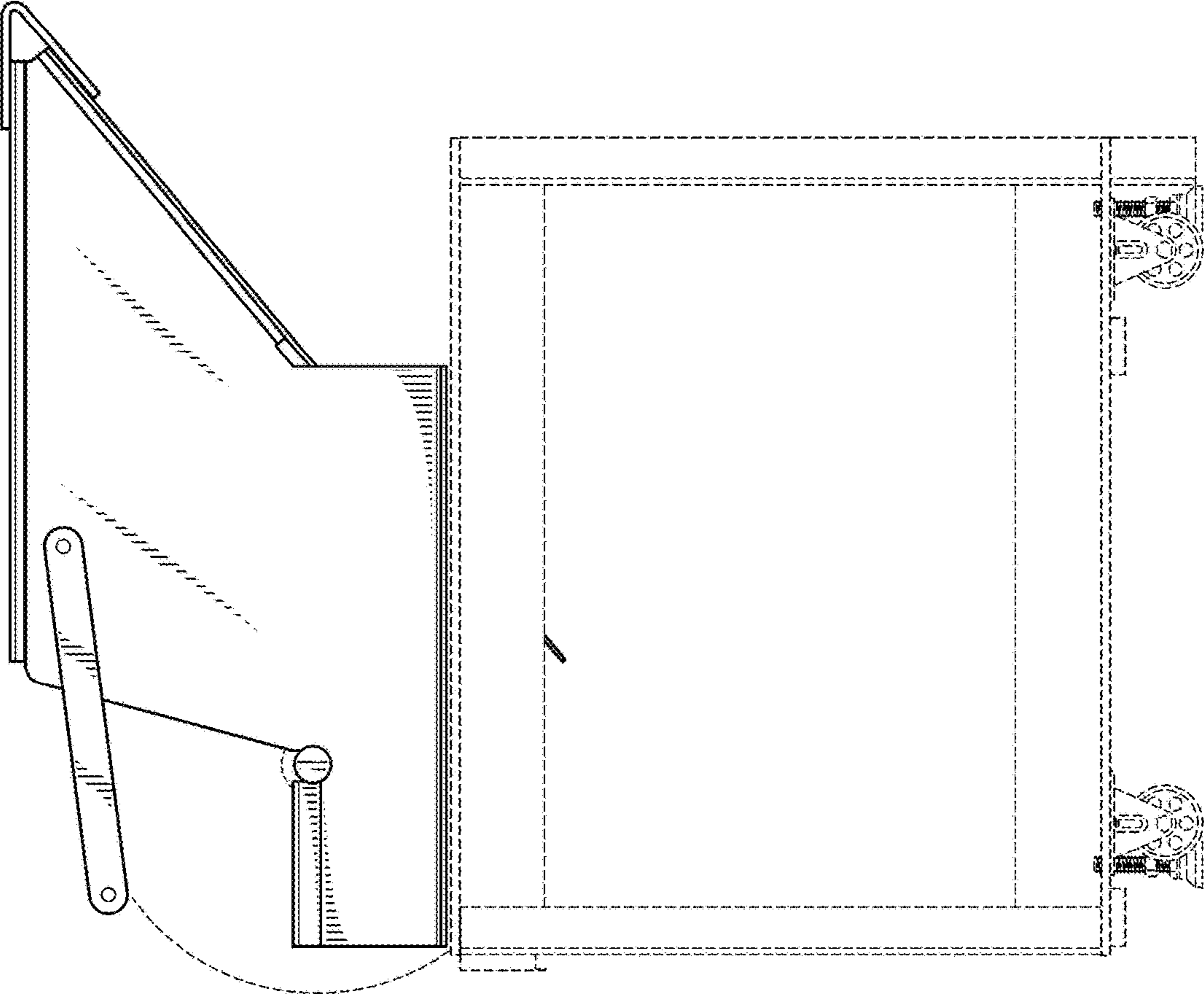


FIG. 2

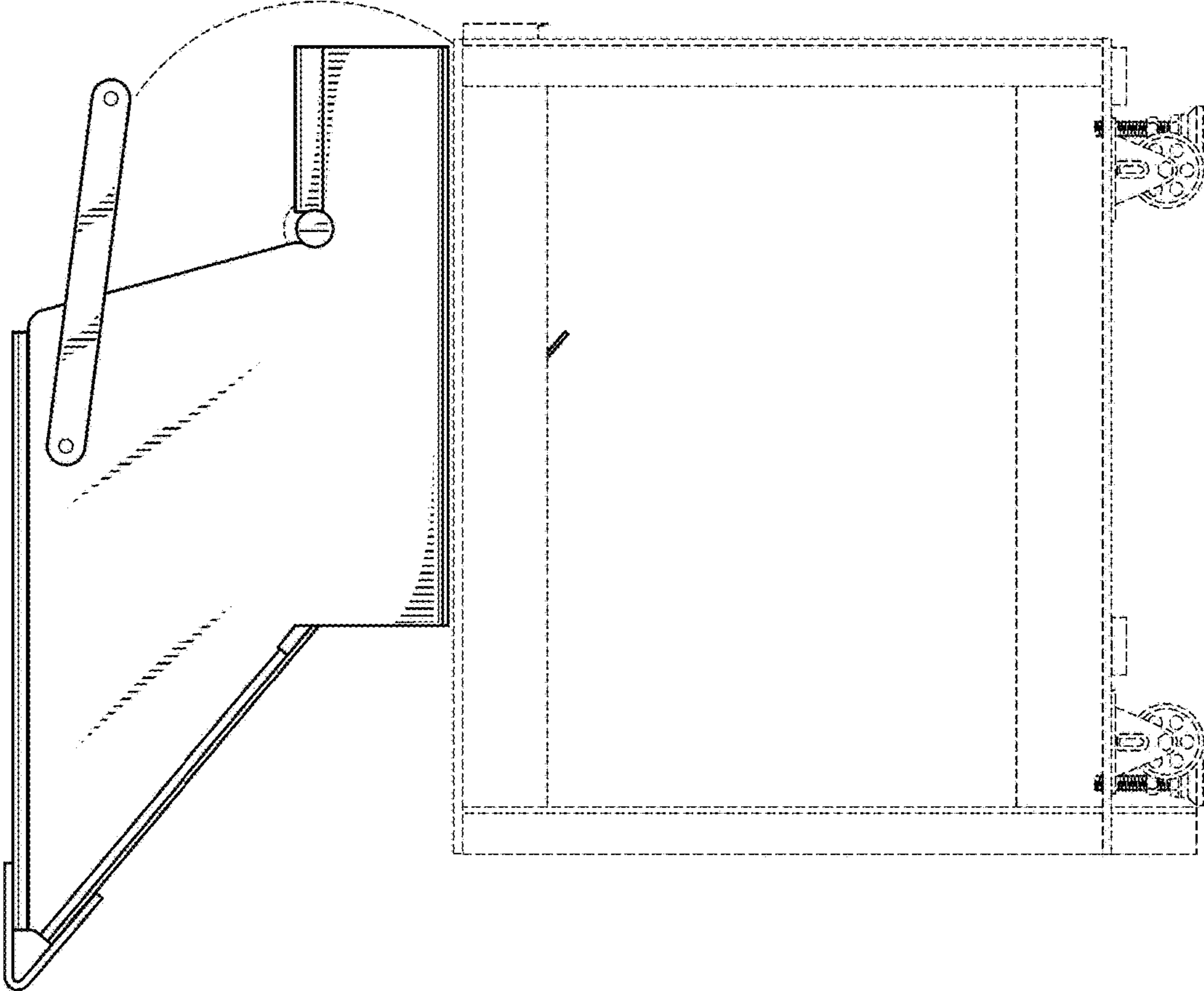


FIG. 3

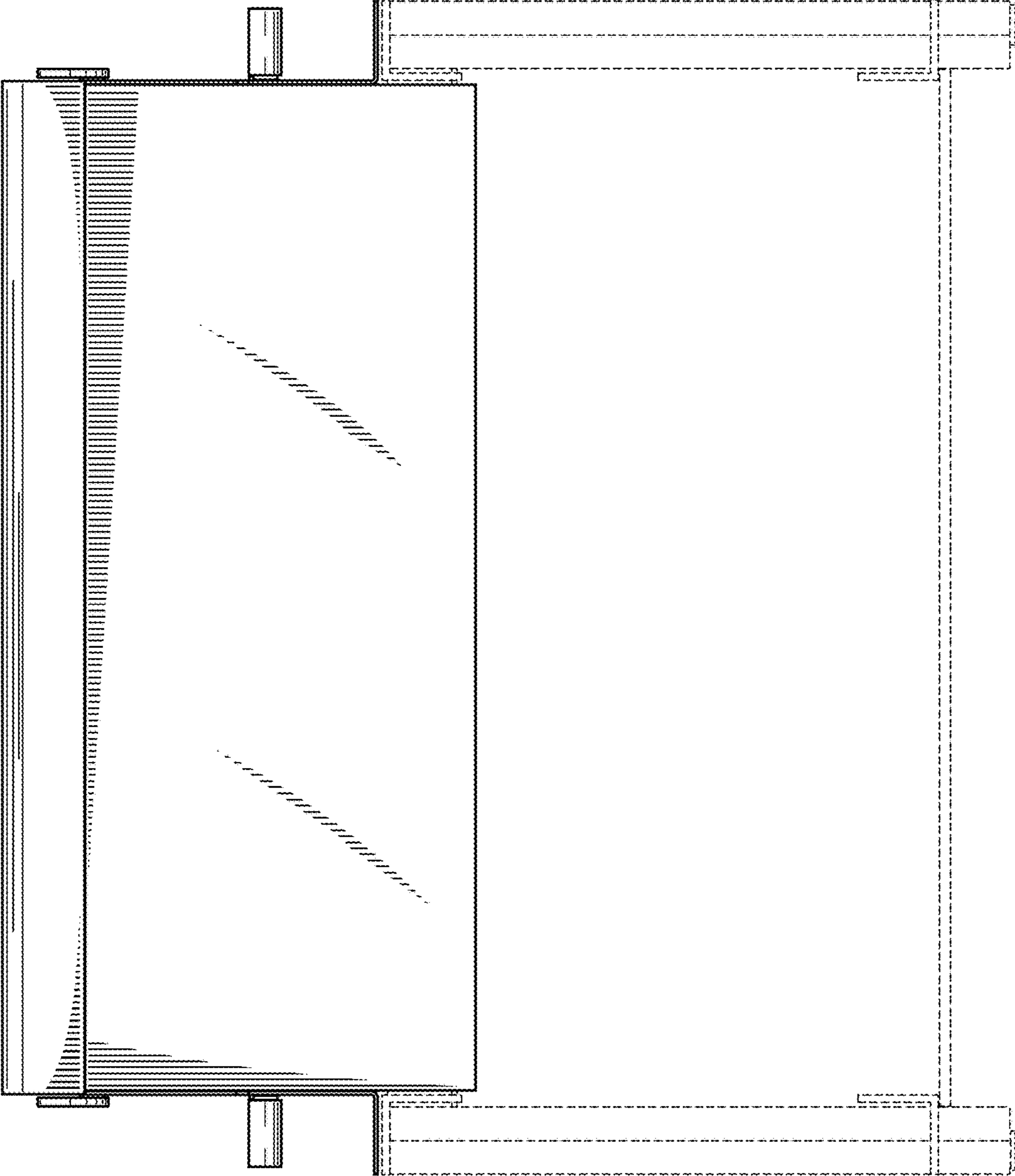


FIG. 4

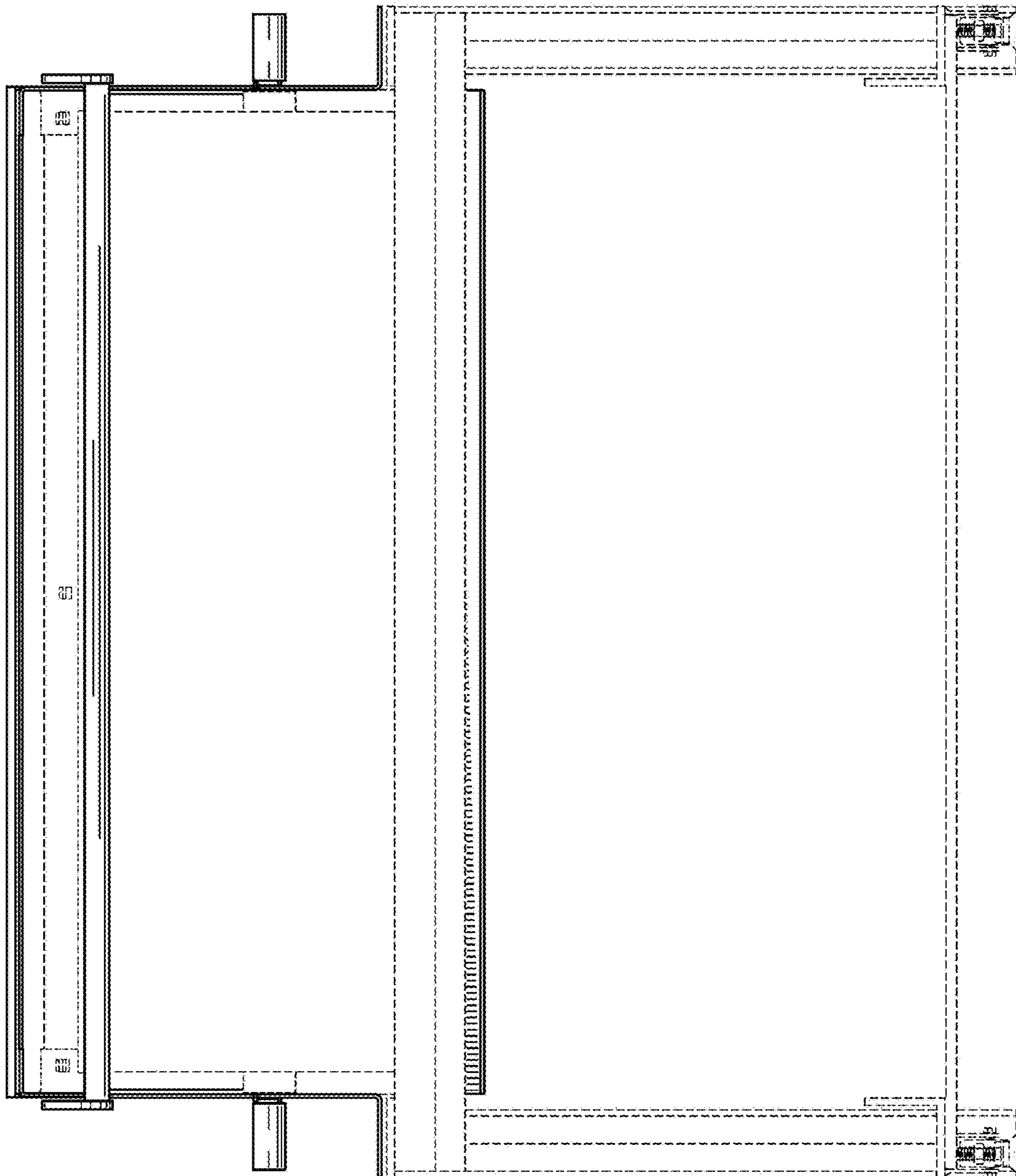


FIG. 5

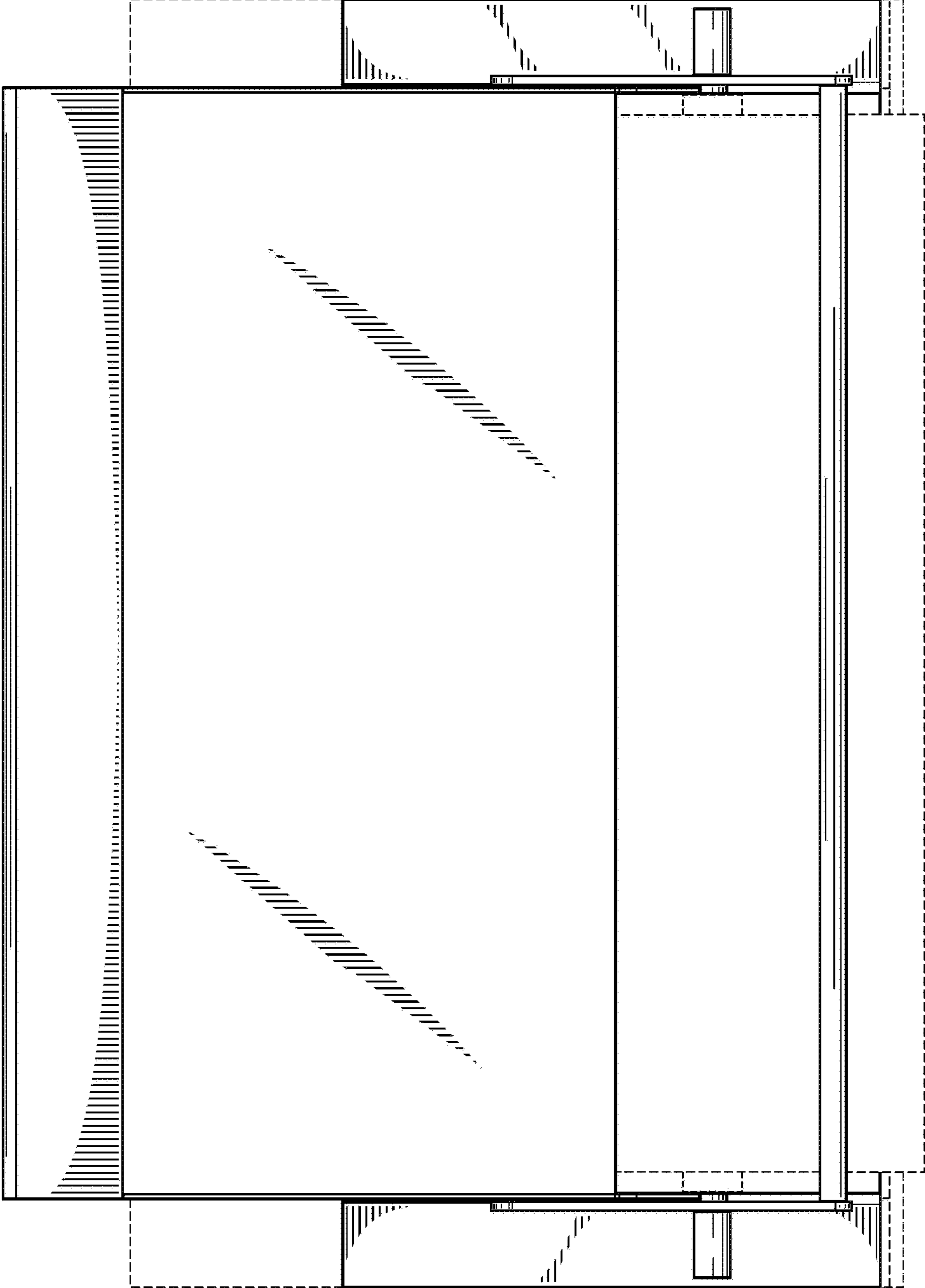


FIG. 6

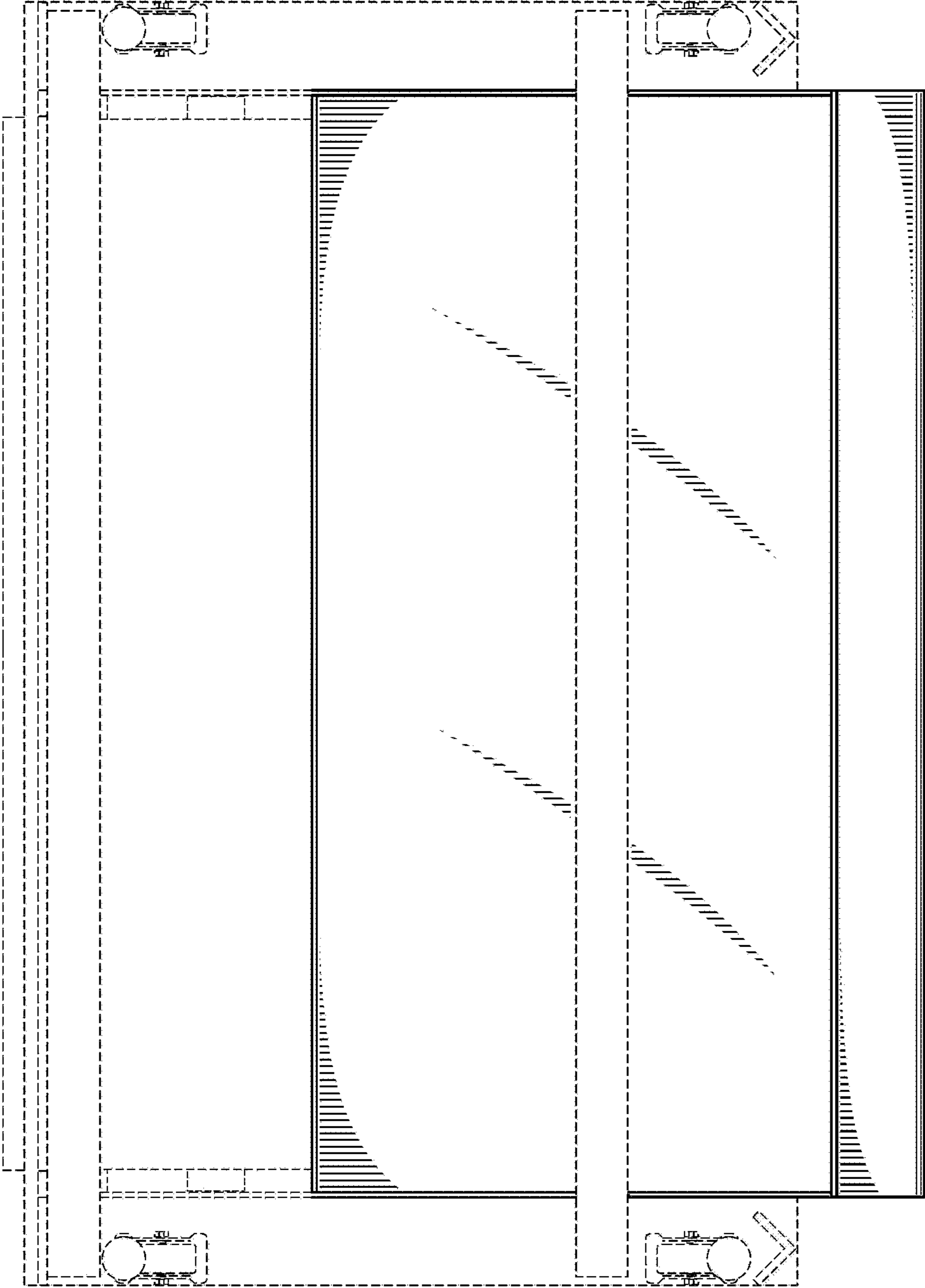


FIG. 7