



US00D885511S

(12) **United States Design Patent**
Zhang

(10) **Patent No.:** **US D885,511 S**

(45) **Date of Patent:** **** May 26, 2020**

(54) **MAGAZINE PROTECTIVE SLEEVE**

(71) Applicant: **Cytac Technology Limited**, Shenzhen (CN)

(72) Inventor: **Yong Zhang**, Shenzhen (CN)

(**) Term: **15 Years**

(21) Appl. No.: **29/693,390**

(22) Filed: **Jun. 3, 2019**

(30) **Foreign Application Priority Data**

Mar. 26, 2019 (CN) 2019 3 0129160

(51) **LOC (12) Cl.** **22-01**

(52) **U.S. Cl.**
USPC **D22/108; D3/262**

(58) **Field of Classification Search**
USPC D21/573, 574; D22/104, 108; D3/262
CPC F41C 3/14; F41C 33/0209; F41C 33/0236;
F41A 9/85; F41A 9/27; F41A 9/73; F41A
15/02
See application file for complete search history.

(56) **References Cited**

U.S. PATENT DOCUMENTS

D716,903 S *	11/2014	Larmer	D22/108
D723,796 S *	3/2015	Resca	D3/222
D736,885 S *	8/2015	Swan	D22/108
D737,571 S *	9/2015	Kostal	D3/262
D737,572 S *	9/2015	Kostal	D3/262
D772,368 S *	11/2016	Evans	D22/108
D791,901 S *	7/2017	Swan	D22/108
9,861,184 B2 *	1/2018	VanHeusen	A45F 5/02
D815,429 S *	4/2018	Lanza	D3/229
D822,785 S *	7/2018	Norris	D22/117

D835,403 S *	12/2018	Lanza	D3/229
10,197,370 B2 *	2/2019	Zhang	F42B 39/02
D860,336 S *	9/2019	Gong	D21/573
10,537,167 B2 *	1/2020	Bryant	A45F 5/021
D874,131 S *	2/2020	Zhang	D3/222
2011/0107645 A1 *	5/2011	Faifer	F41A 9/63 42/90
2011/0132780 A1 *	6/2011	Marconi	F41A 9/65 206/3
2016/0003598 A1 *	1/2016	Gadams	F42B 39/02 206/3
2016/0100678 A1 *	4/2016	Evans	A45F 5/00 224/231

* cited by examiner

Primary Examiner — Khawaja Anwar

Assistant Examiner — Mojtaba Tehrani

(74) *Attorney, Agent, or Firm* — ZANIP

(57) **CLAIM**

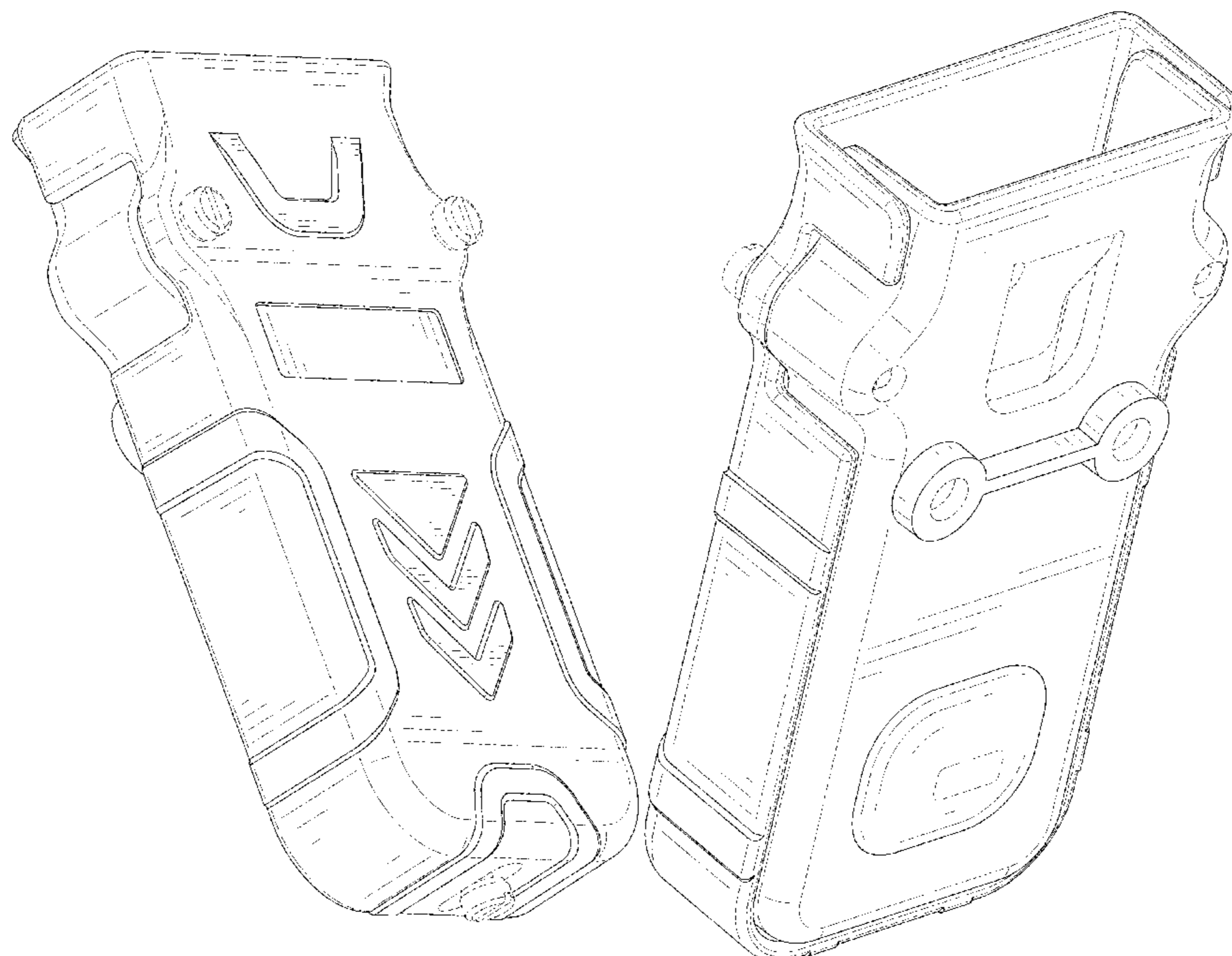
The ornamental design for a magazine protective sleeve, as shown and described.

DESCRIPTION

FIG. 1 is a first perspective view of a magazine protective sleeve showing my design;
FIG. 2 is a second perspective view thereof;
FIG. 3 is a front view thereof;
FIG. 4 is a back view thereof;
FIG. 5 is a left side view thereof;
FIG. 6 is a right side view thereof;
FIG. 7 is a top view thereof; and,
FIG. 8 is a bottom view thereof.

The broken line in the drawings depicts unclaimed portion of the magazine protective sleeve only and forms no part of the claimed design.

1 Claim, 8 Drawing Sheets



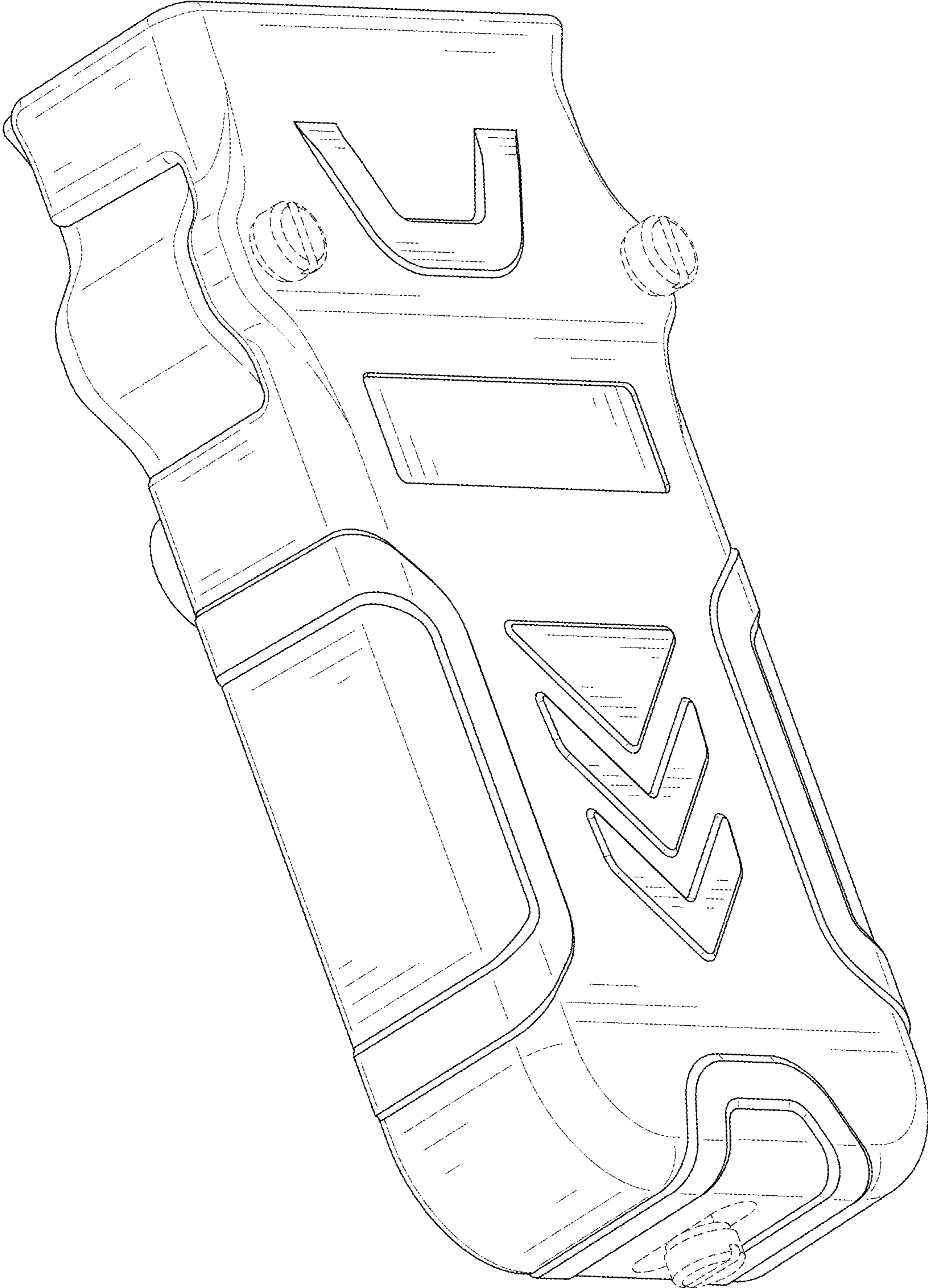


FIG. 1

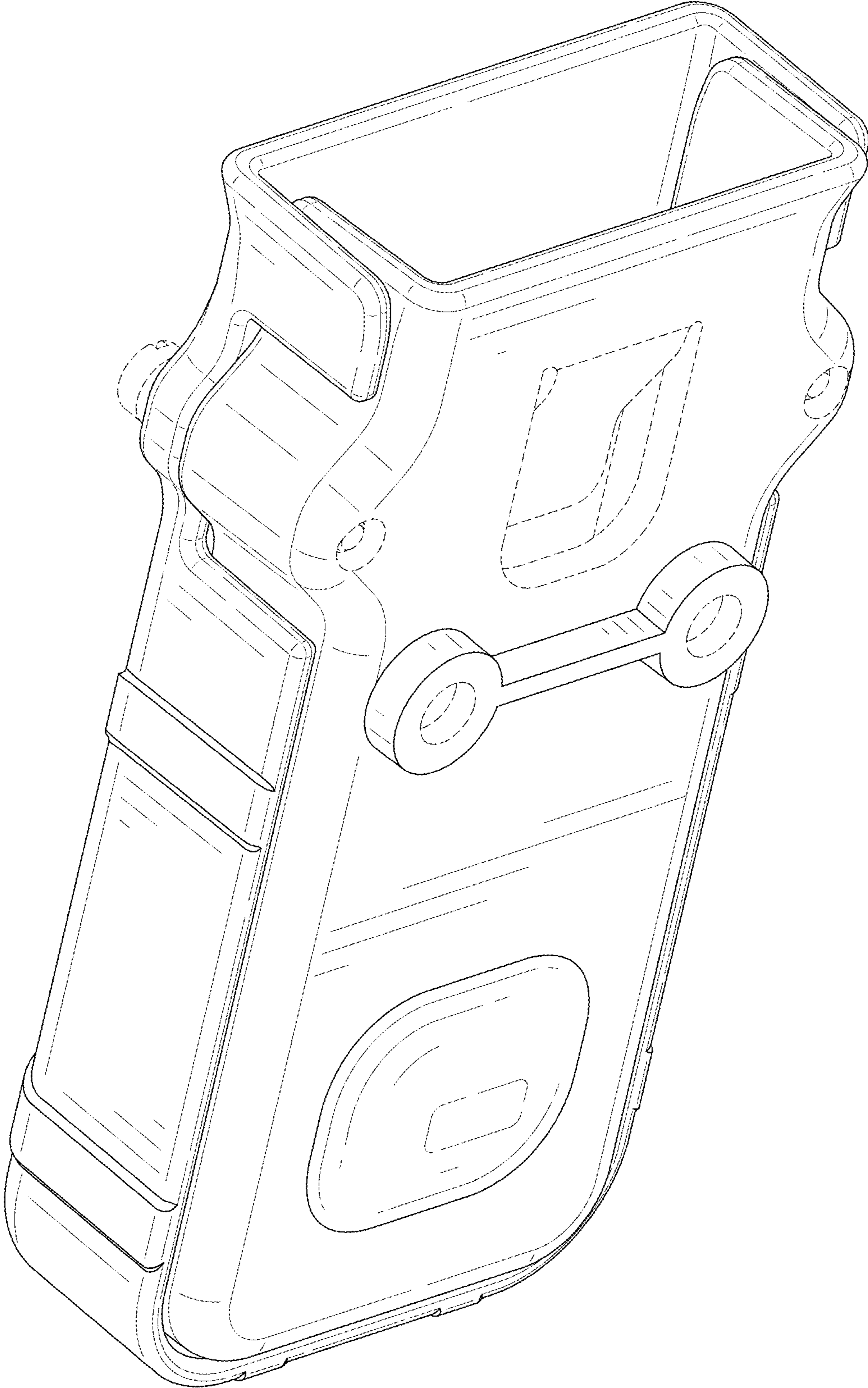


FIG. 2

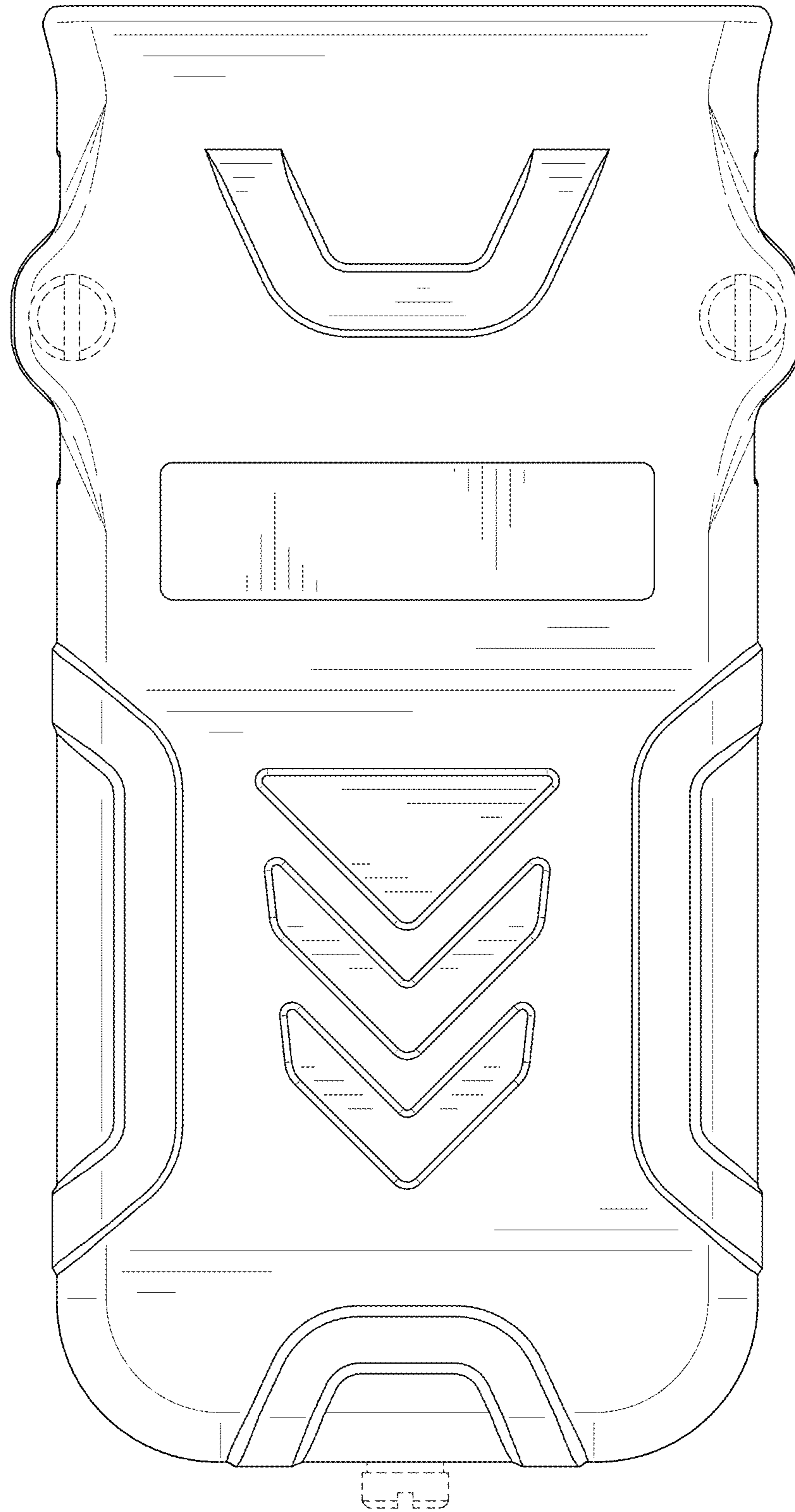


FIG. 3

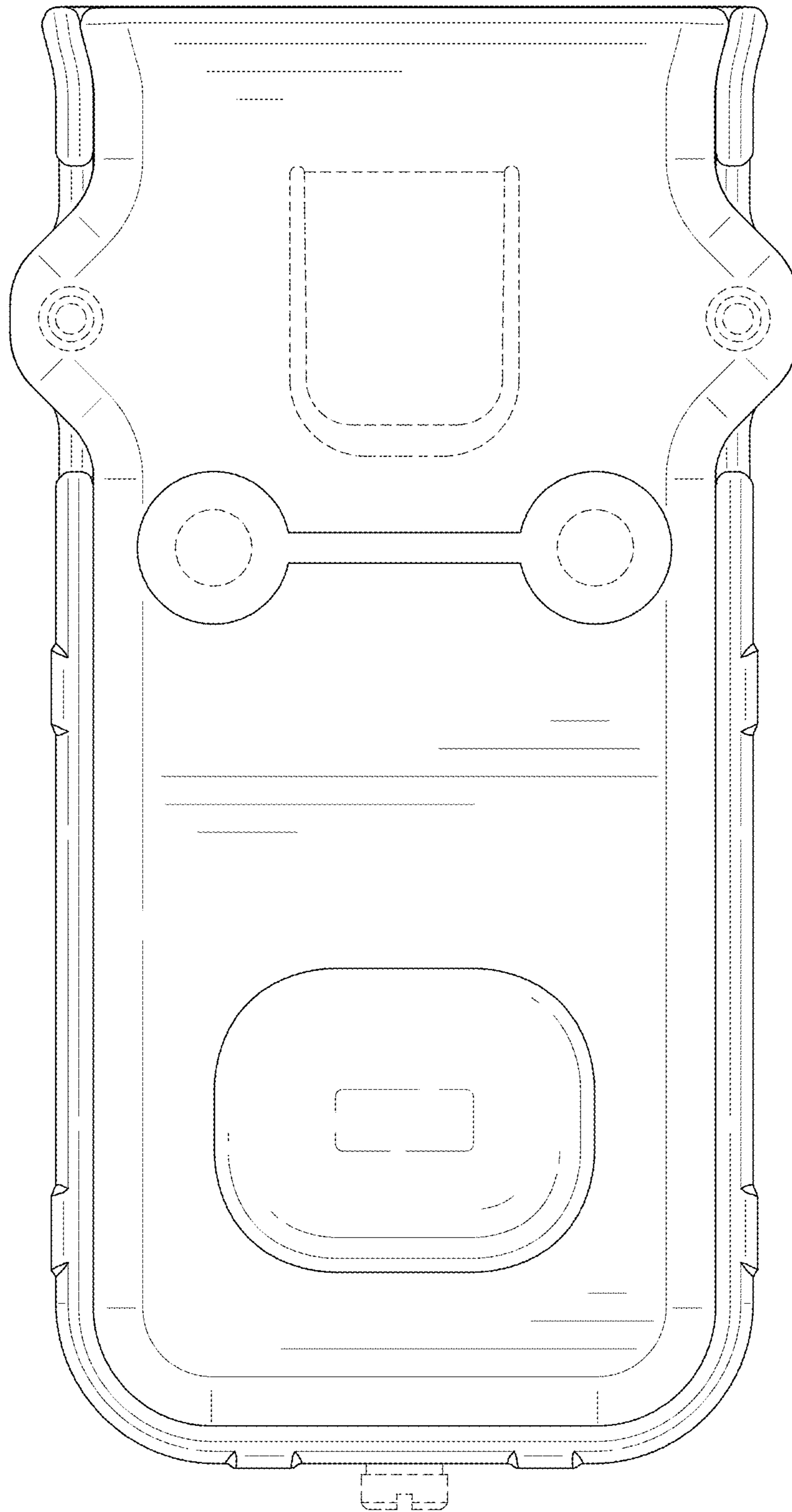


FIG. 4

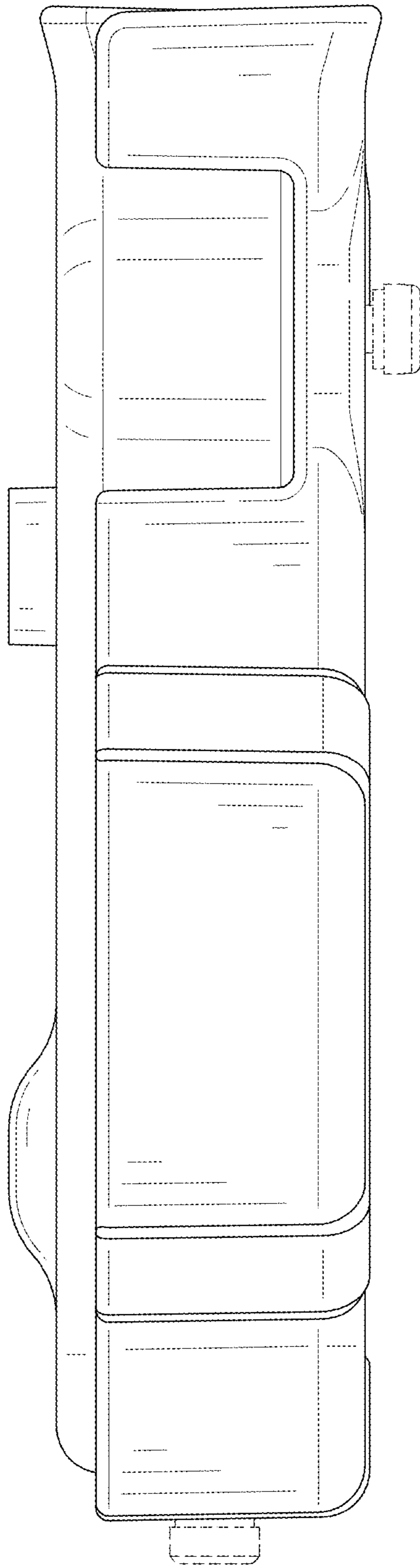


FIG. 5

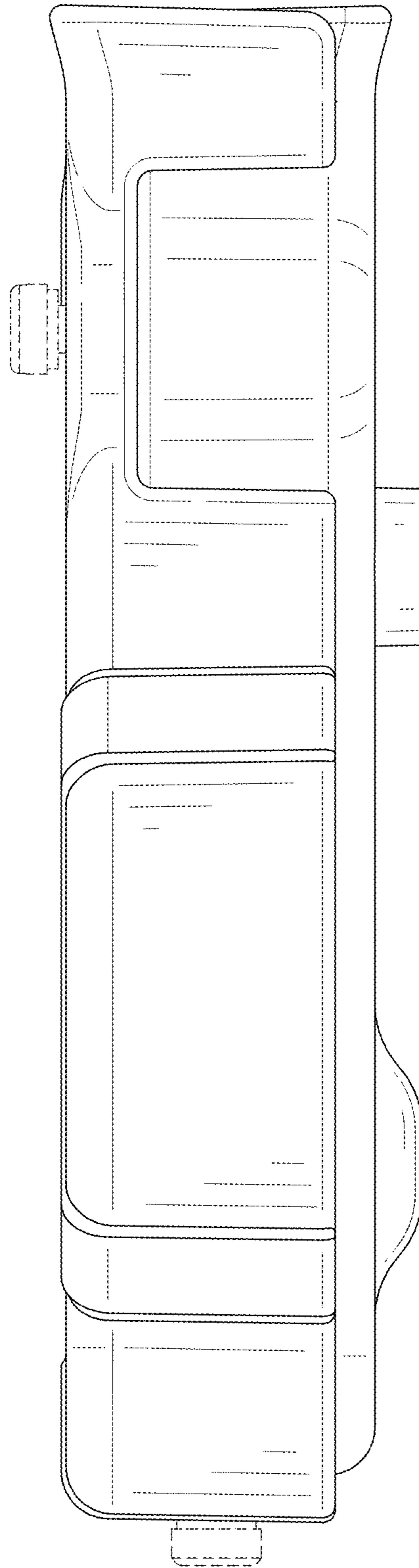


FIG. 6

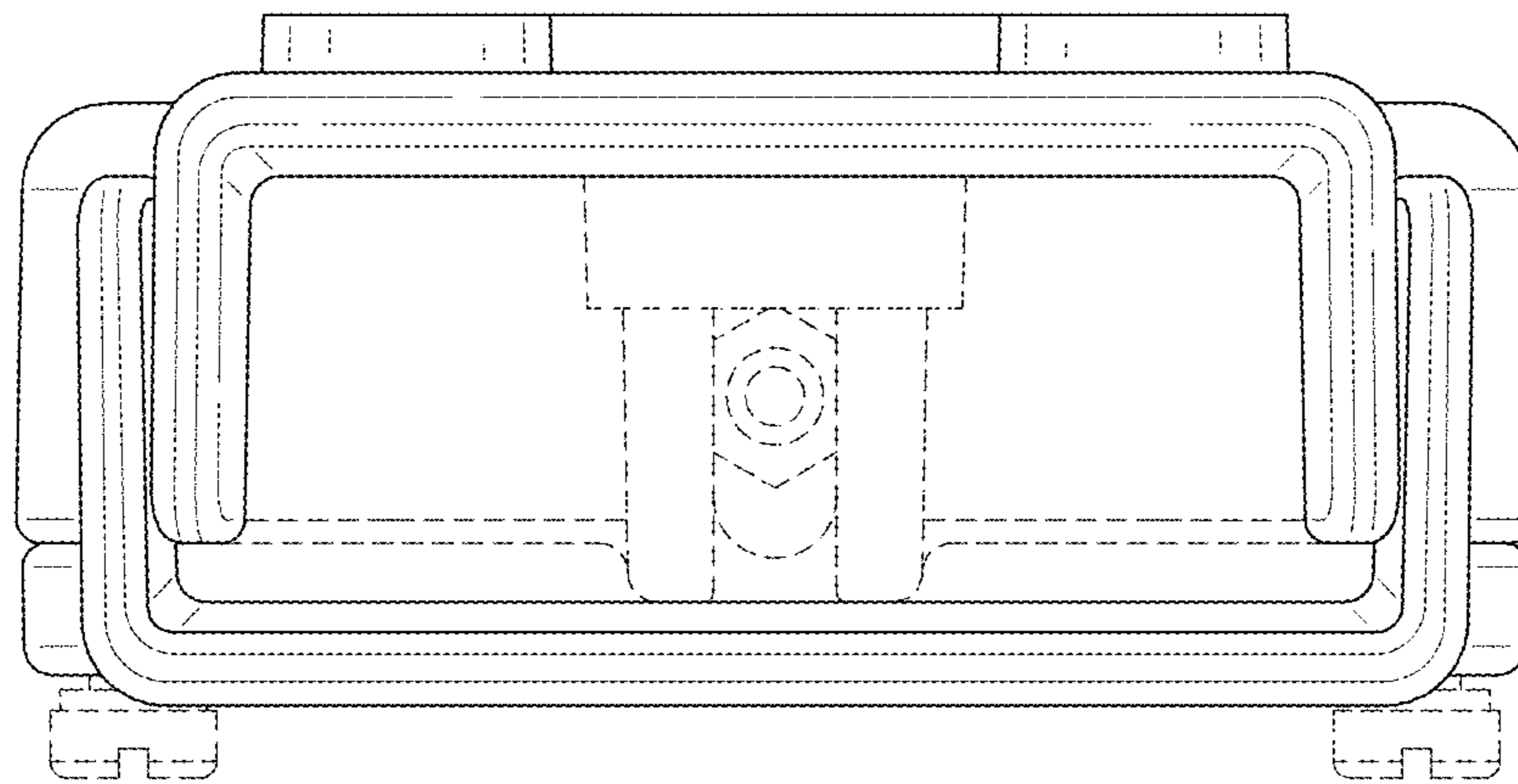


FIG. 7

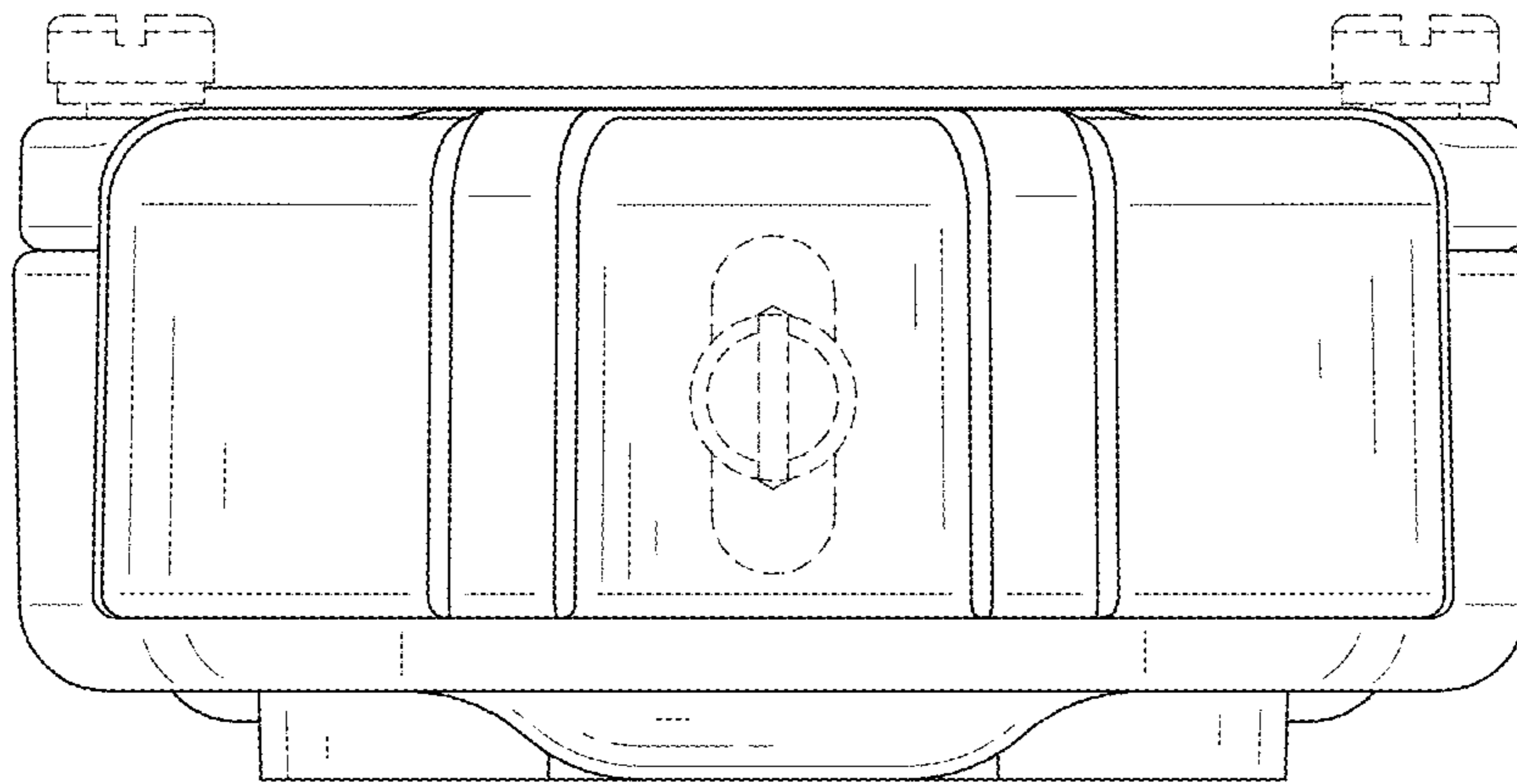


FIG. 8